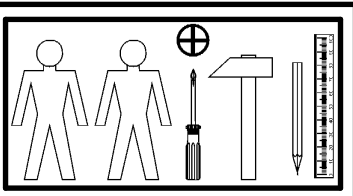
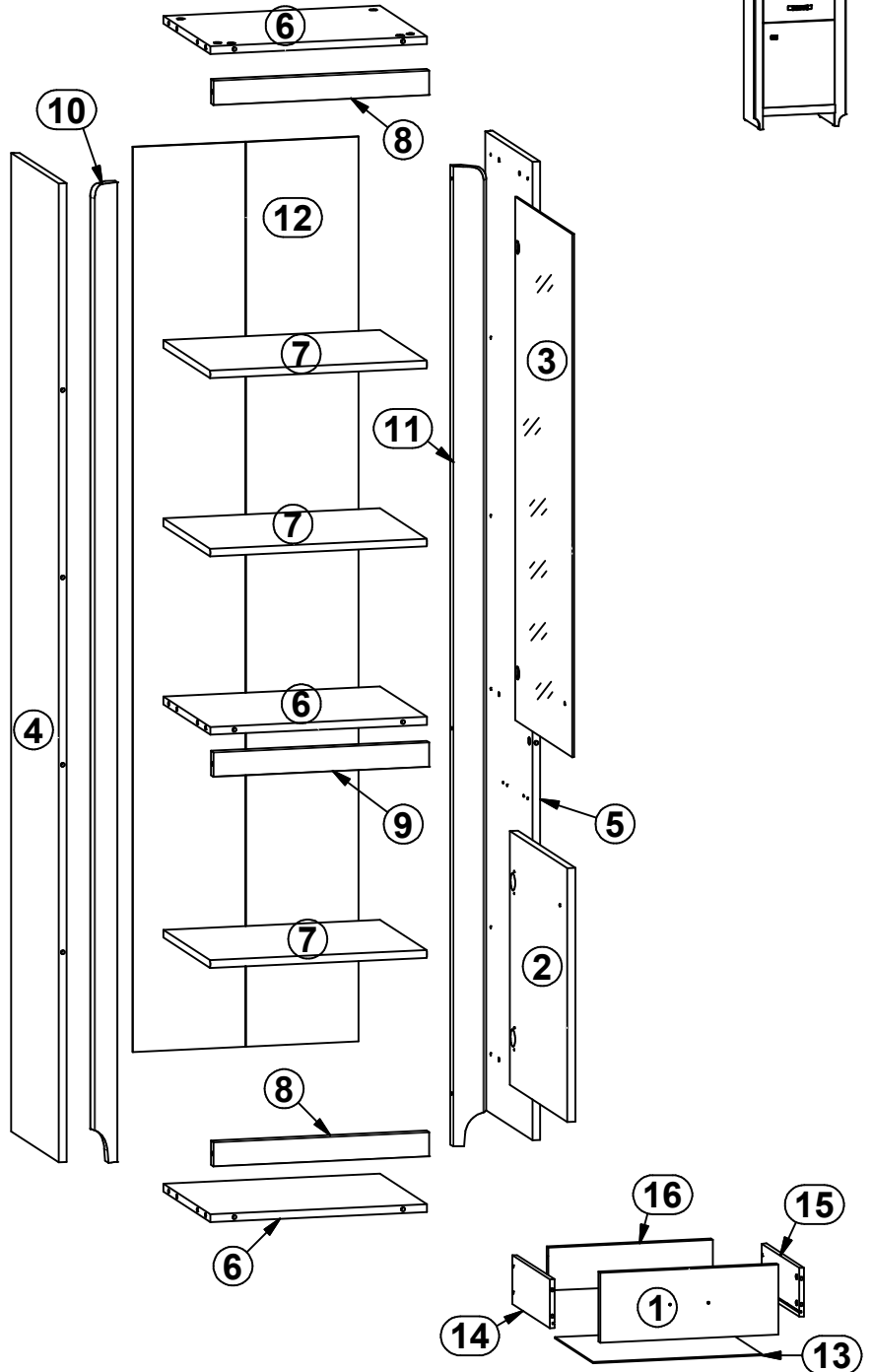
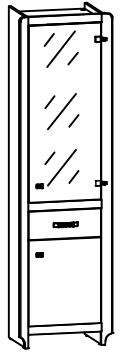


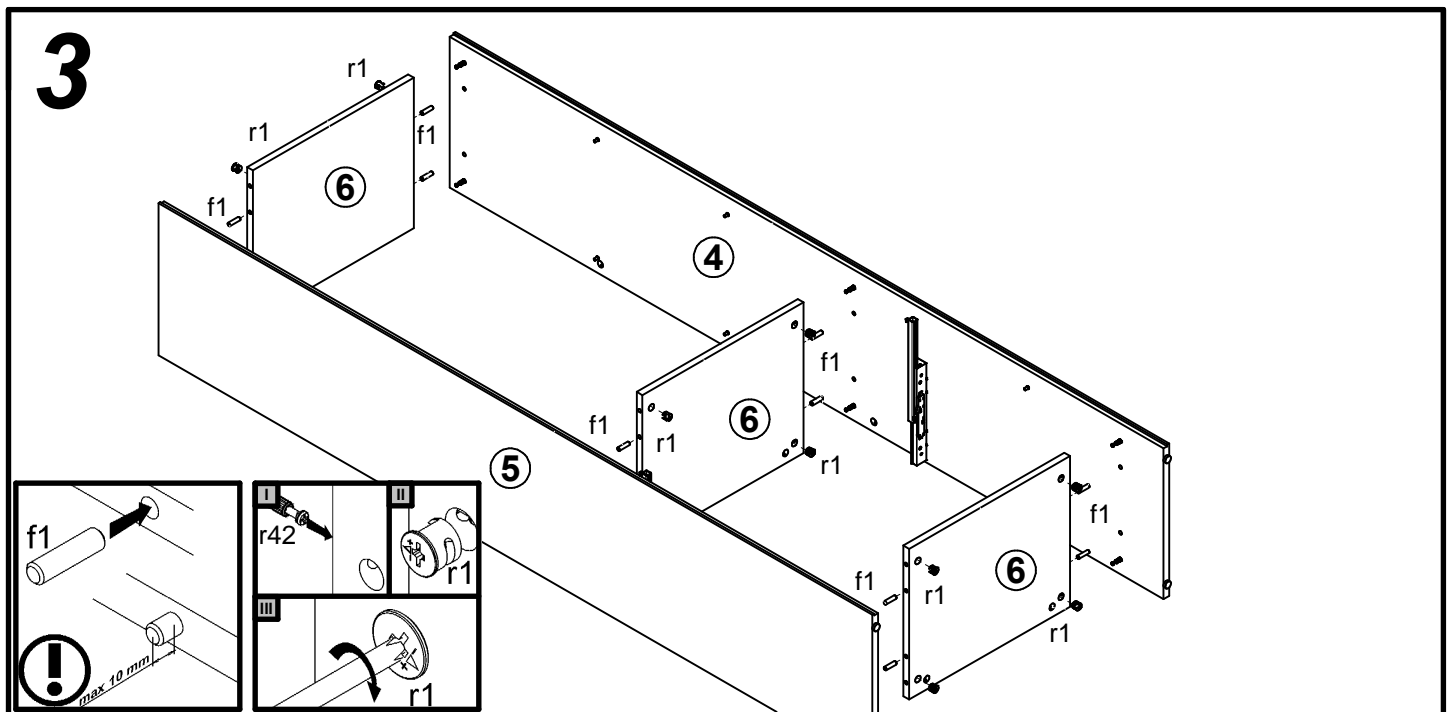
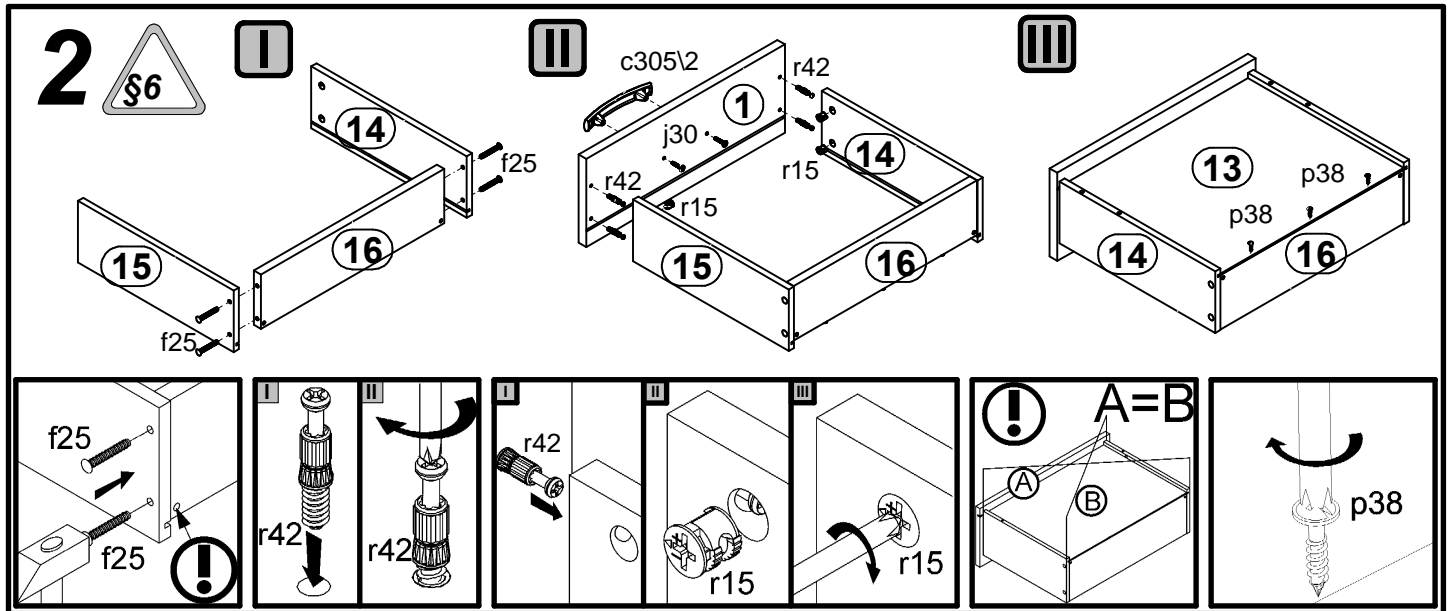
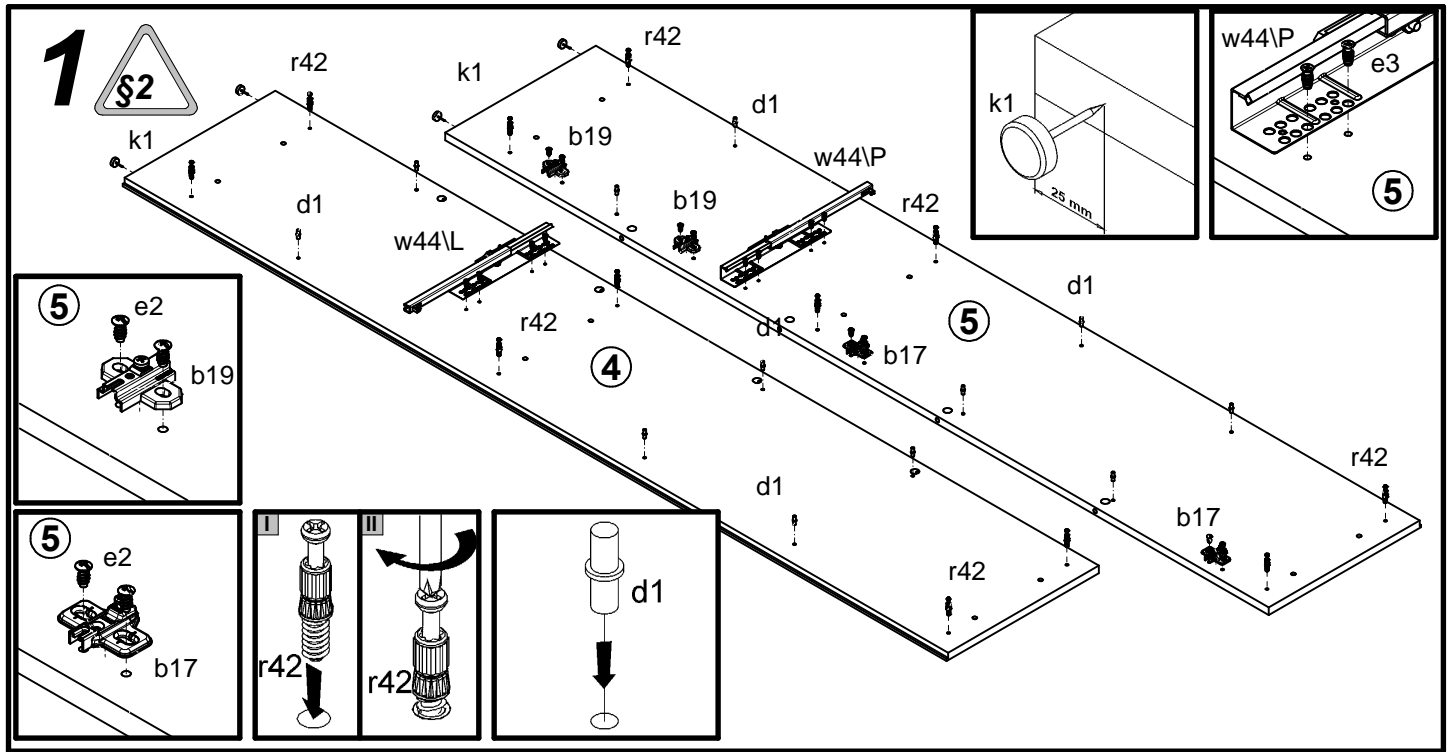
ALEVEL

S113-REG1W1D1S

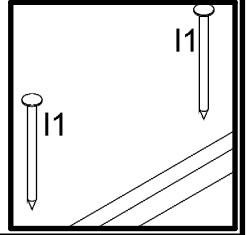
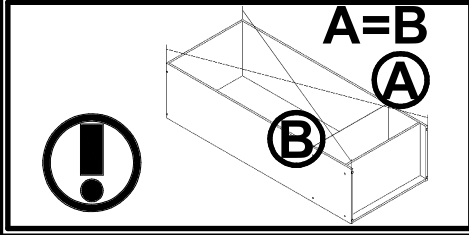
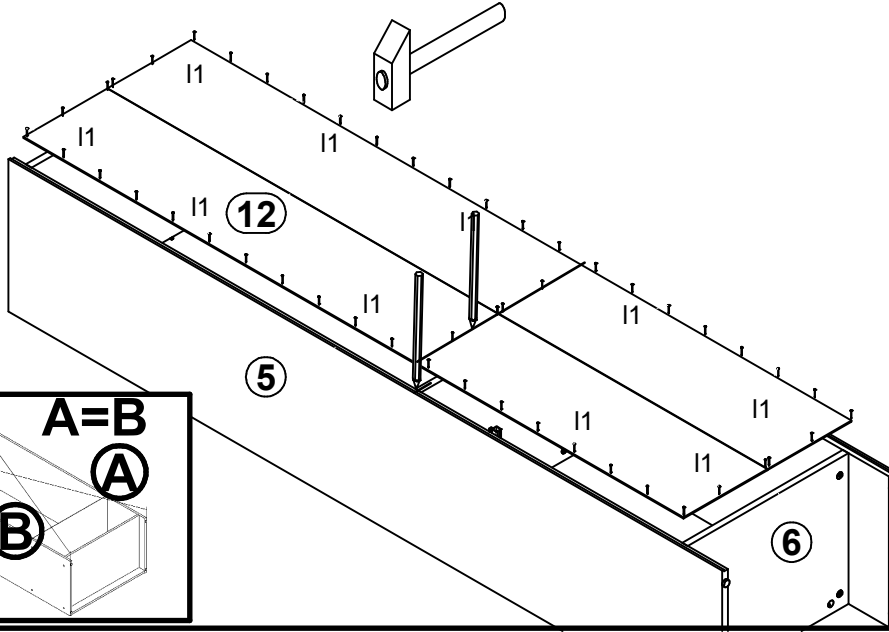
A	B	C	D	
1	S113-002	446	172	4/5
2	S113-003	520	446	4/5
3	S113-004	1072	446	5/5
4	S113-103	2005	371	1/5
5	S113-104	2005	371	1/5
6	S113-302	452	367	1/5
7	S113-305	452	367	1/5
8	S113-502	450	50	1/5
9	S113-522	450	50	1/5
10	S113-595	2007	75	2/5
11	S113-596	2007	75	2/5
12	S113-903	1854	471	1/5
13	S113-904	423	357	1/5
14	ZQ1-501	350	120	1/5
15	ZQ1-502	350	120	1/5
16	ZQ1-513	412	106	1/5



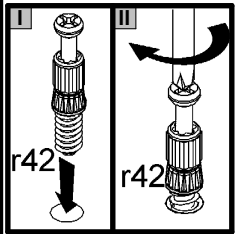
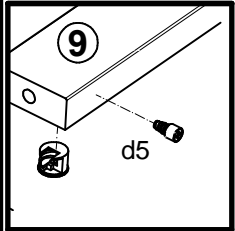
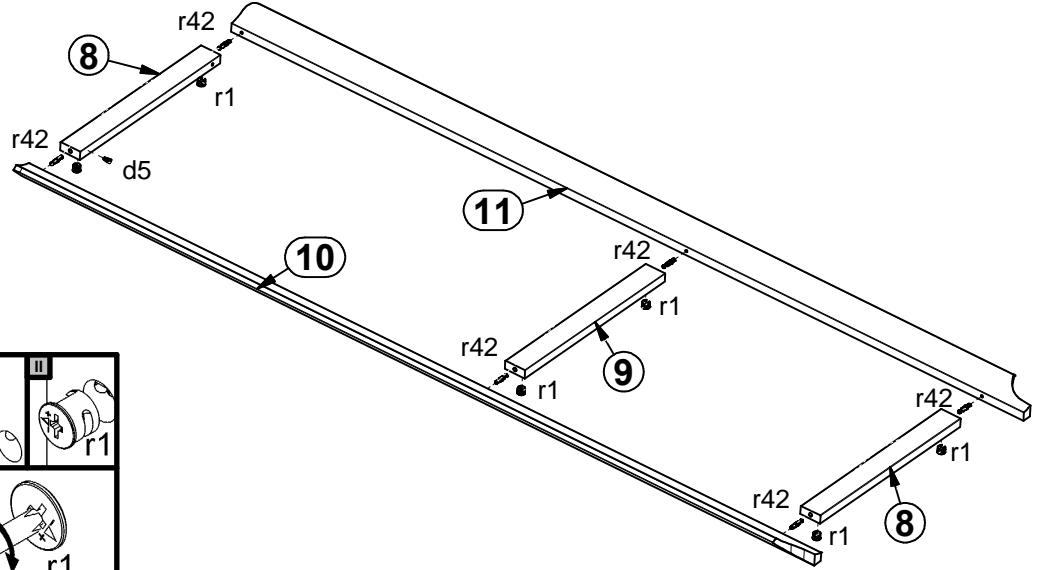
2x a43	2x a66 2	2x a66 6	2x a77	2x b17	2x b19	2x c305 1	1x c305 2	12x φ5x17 mm d1	
1x φ6,3x15 mm d5	8x φ6,3x13 mm e2	8x φ6x13 mm e3	12x φ8x30 mm f1	4x φ6,5x40 mm f25	1x M4x12 mm j3	3x M4x22 mm j30	4x k1	50x l1	
1x φ6,5/φ10x5,2mm o27	3x φ3,5x16 mm p38	4x φ3,5x15 mm p51	4x φ3x11 mm p92	32x φ15x12mm #16 r1	4x φ12x10,5mm #12 r15	36x r42	1x 350 mm w44 L	1x 350 mm w44 P	
8x ø16 s2	1x n26 1	1x φ3,5x16 mm p38							



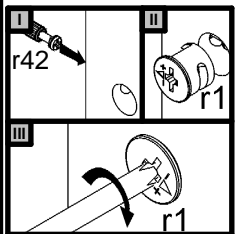
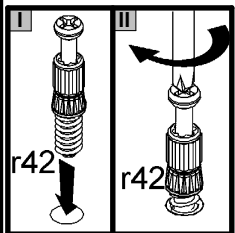
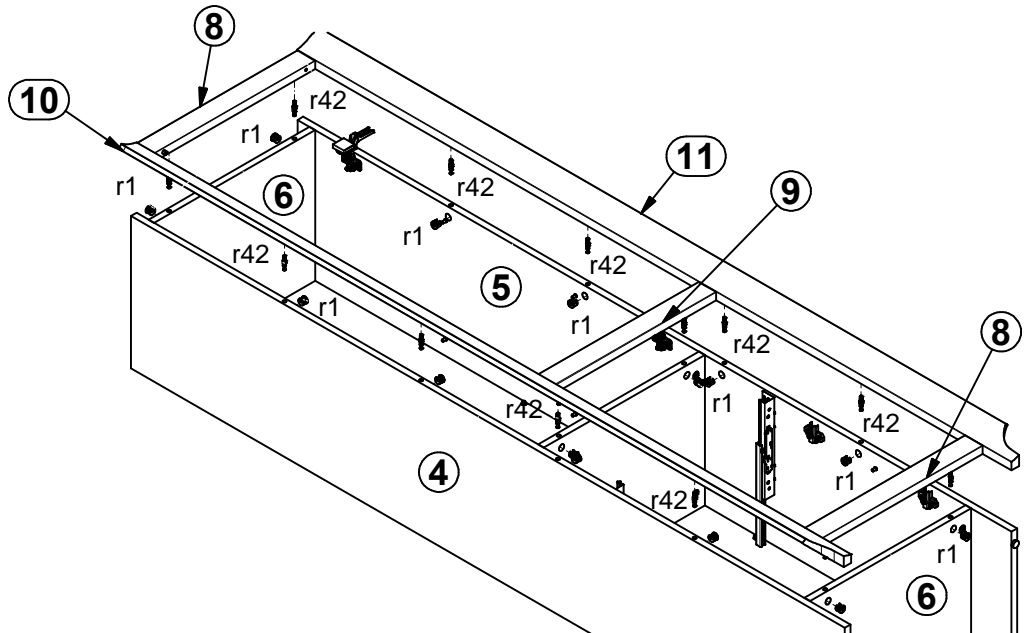
4



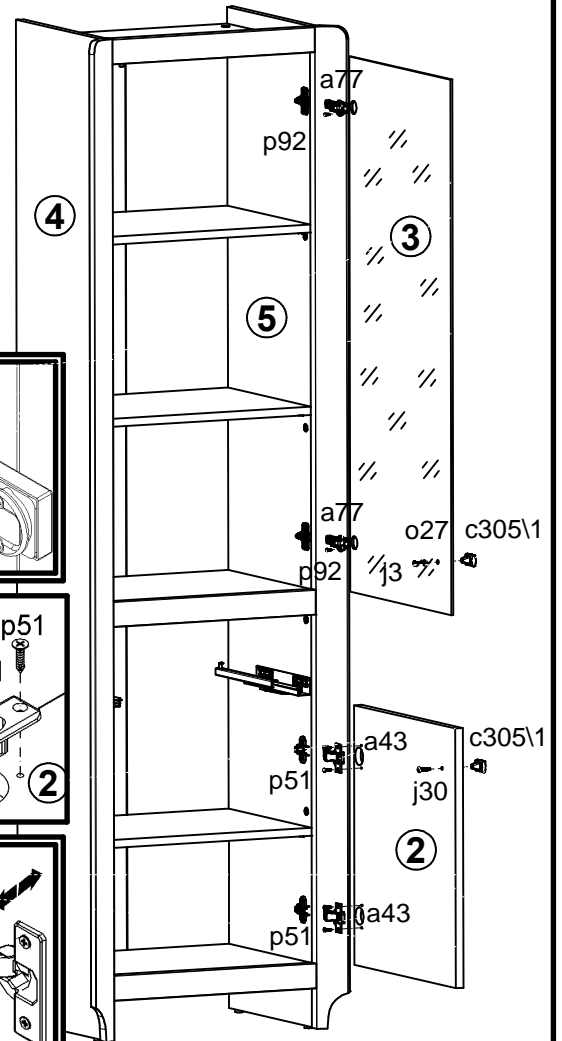
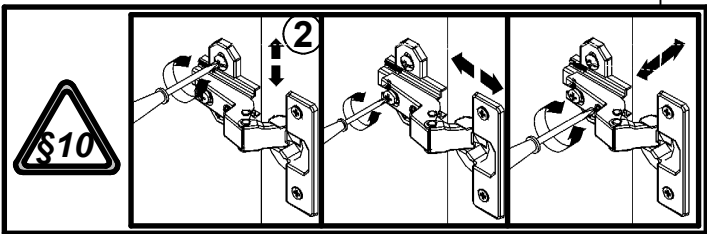
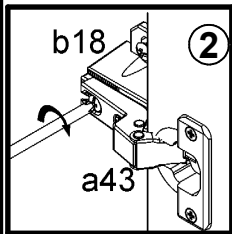
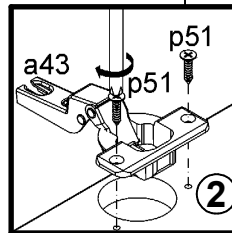
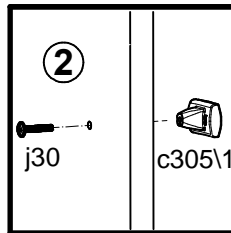
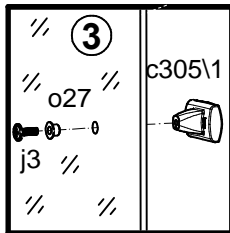
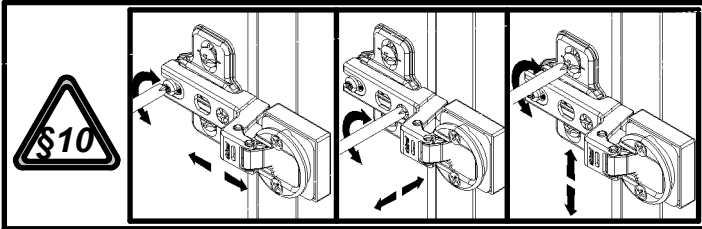
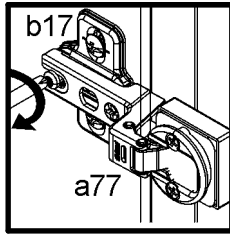
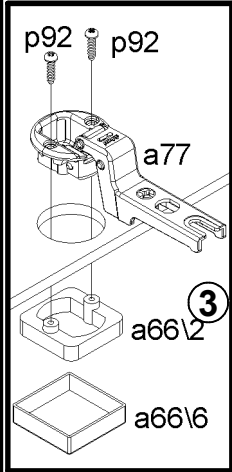
5



6



5



6

