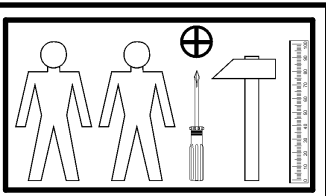
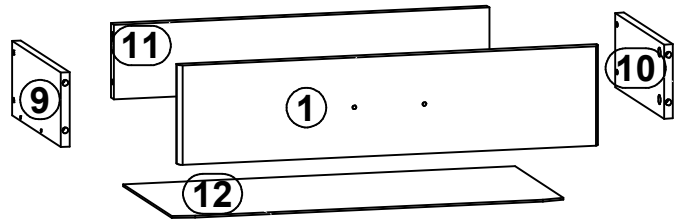
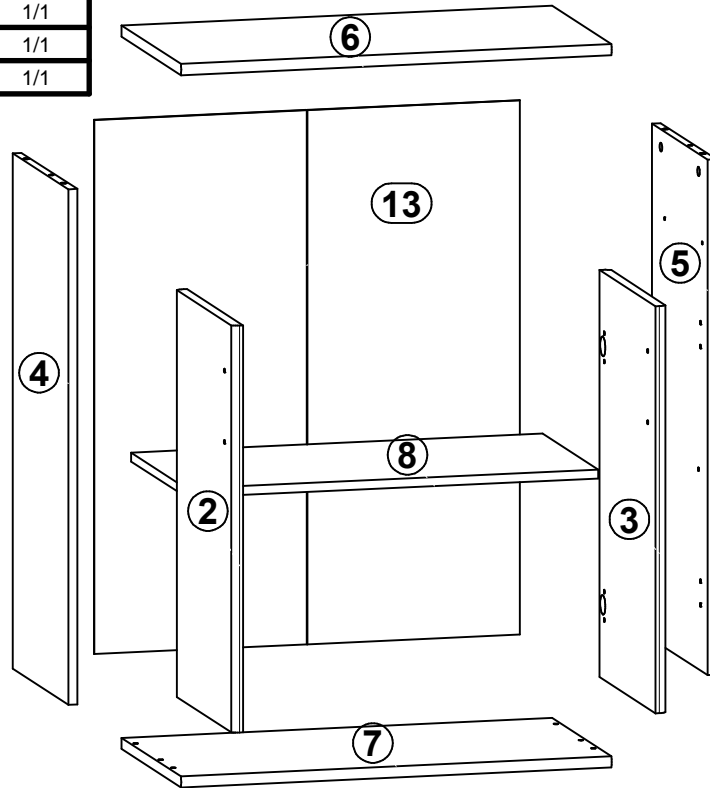
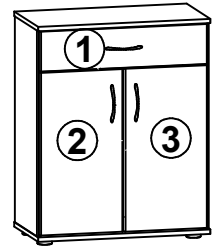


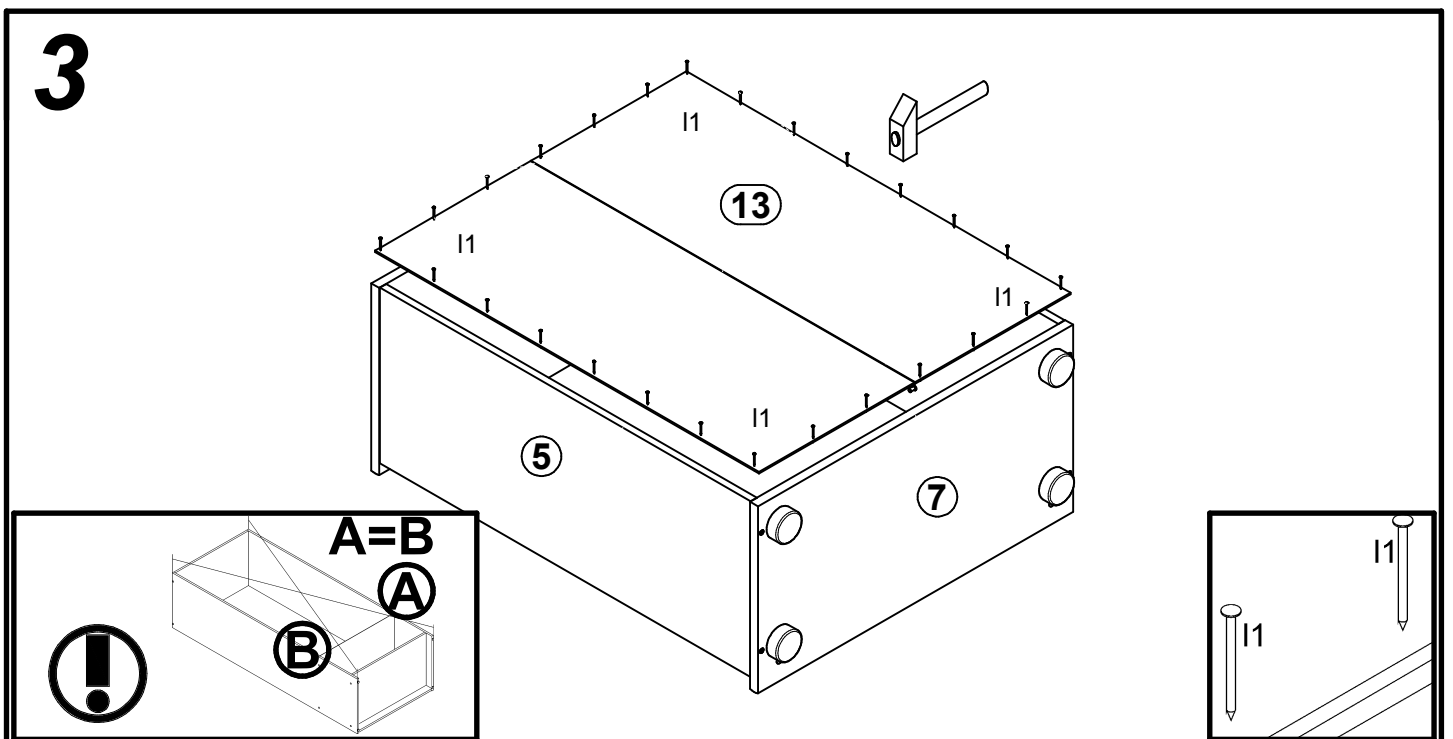
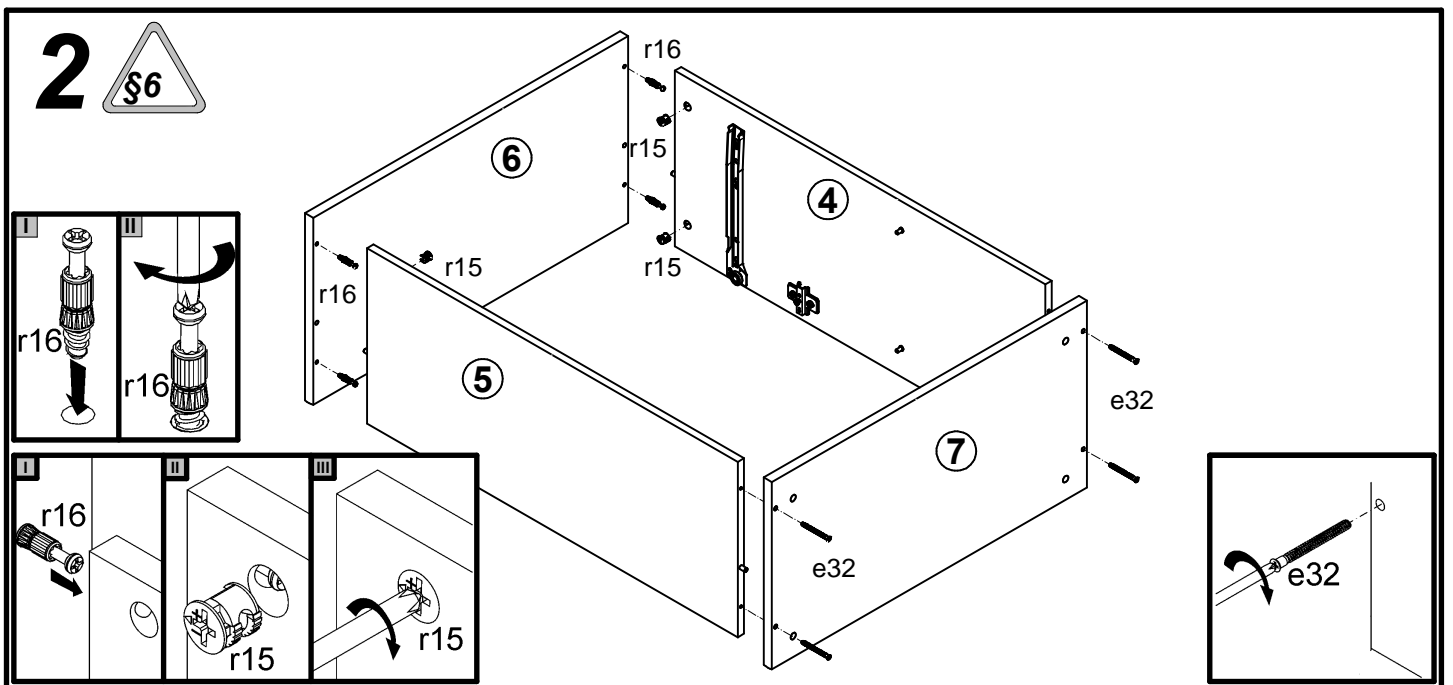
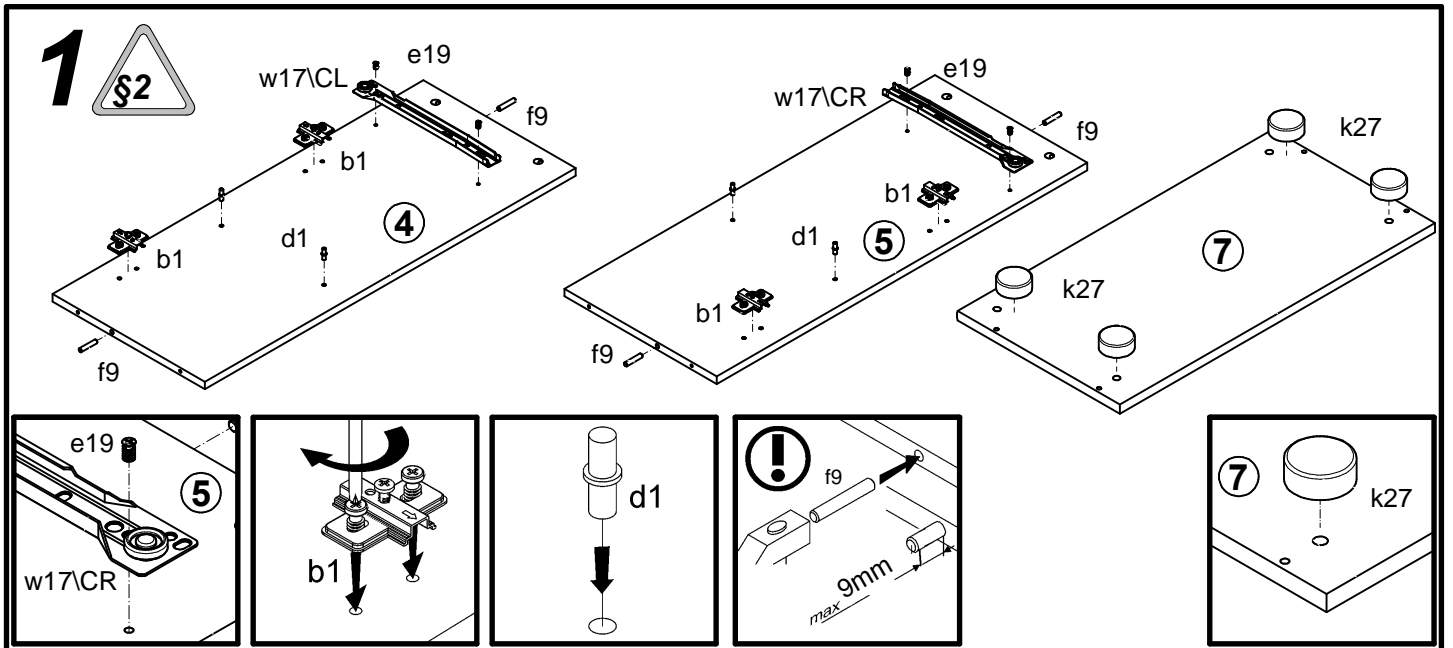
ATRISS

S137-KOM2D1S

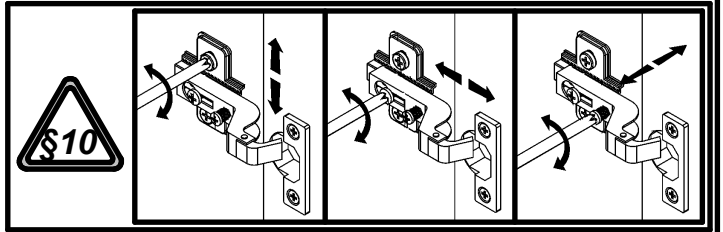
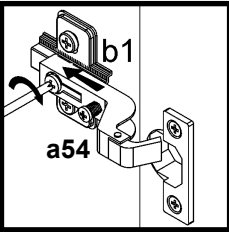
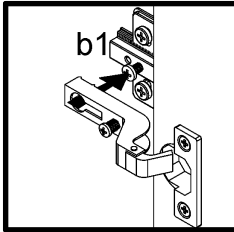
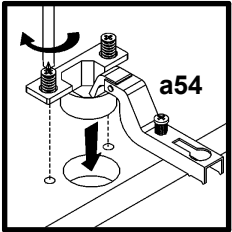
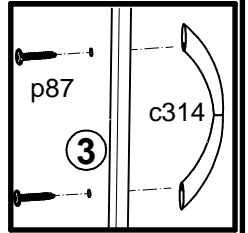
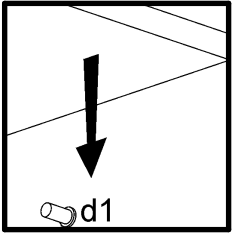
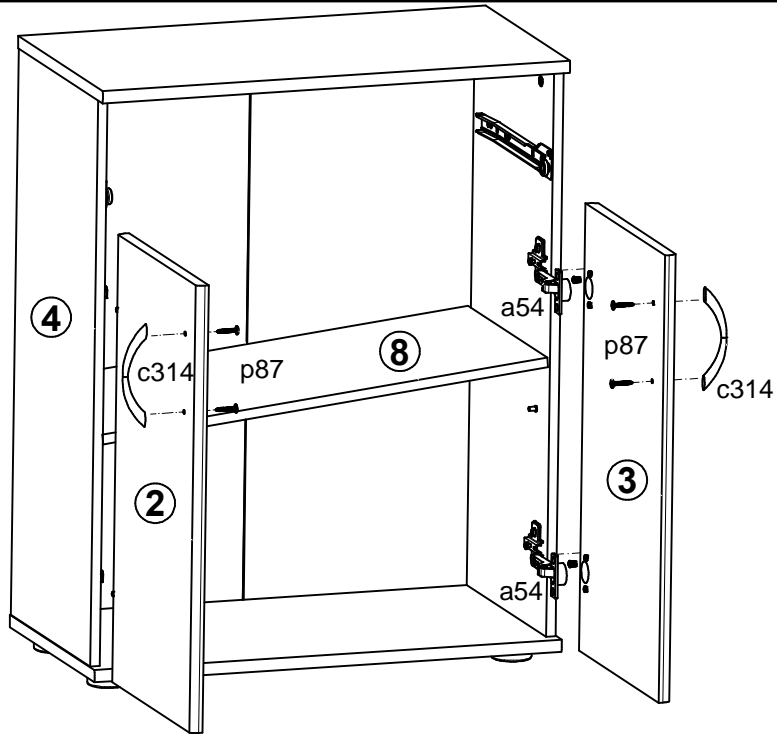
A	B	C	D
1	S137-003	576	134
2	S137-004	548	287
3	S137-005	548	287
4	S137-107	694	285
5	S137-108	694	285
6	S137-203	590	305
7	S137-204	590	305
8	S137-302	564	285
9	S137-501	250	100
10	S137-502	250	100
11	S137-503	515	100
12	S137-903	537	255
13	S137-904	719	583



4x K8 a54	4x b1	3x c314	4x $\phi 5 \times 17$ mm d1	4x $\phi 5 \times 50$ mm e32	8x $\phi 5 \times 9$ mm e19	4x $\phi 6.5 \times 40$ mm f25	4x $\phi 6 \times 30$ mm f9	4x k27
30x l1	4x $\phi 3.5 \times 16$ mm p38	6x $\phi 4 \times 25$ mm p87	8x $\phi 12 \times 10.5$ mm #12 r15	8x r16	1x 250 mm w17\CL	1x 250 mm w17\CR	1x 250 mm w17\DL	1x 250 mm w17\DR
1x n26\1	1x $\phi 3.5 \times 16$ mm p38							

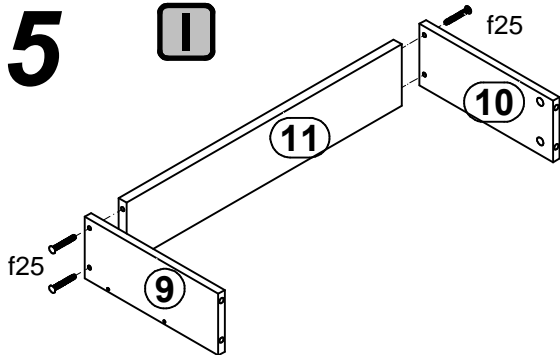


4

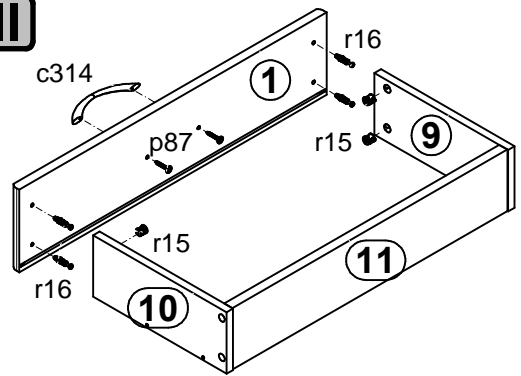


5

I



II



III

