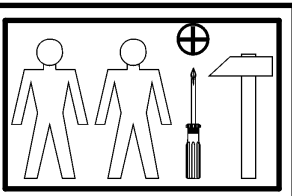
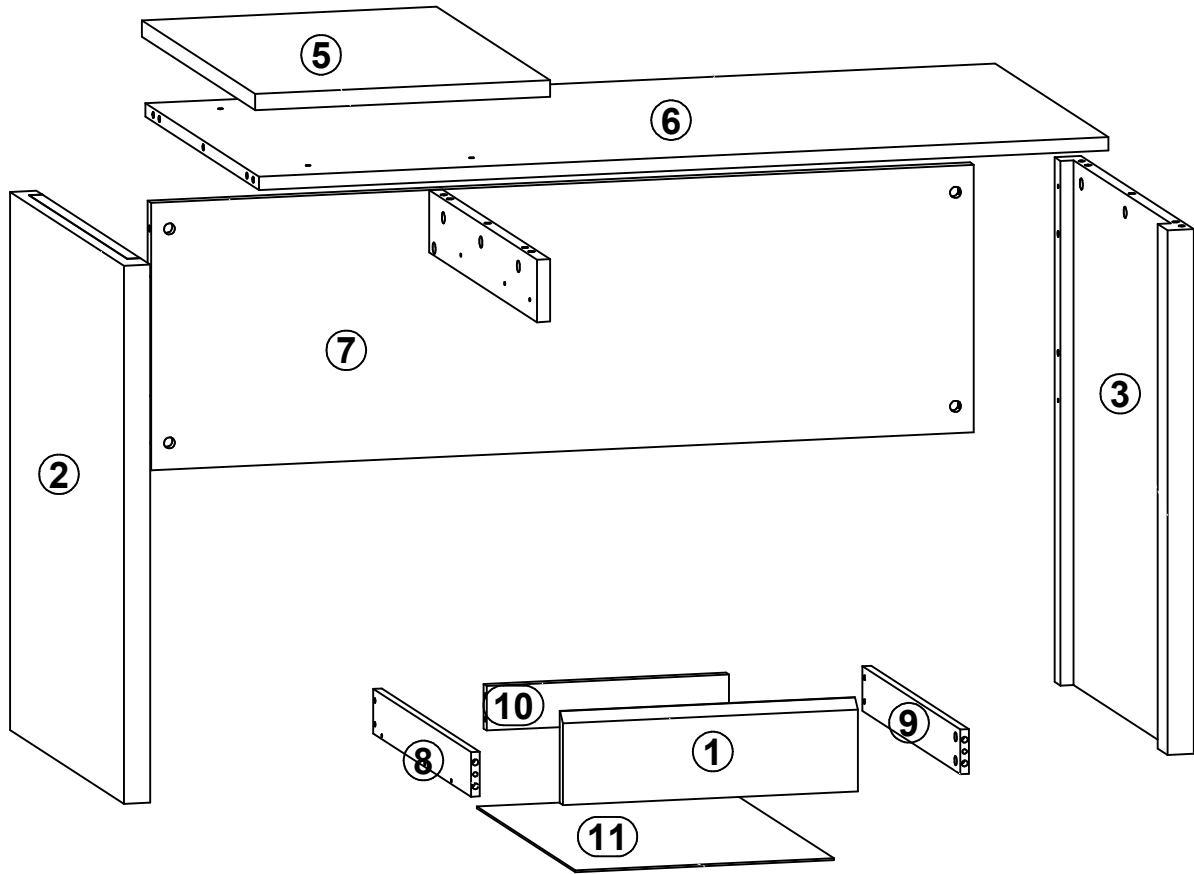
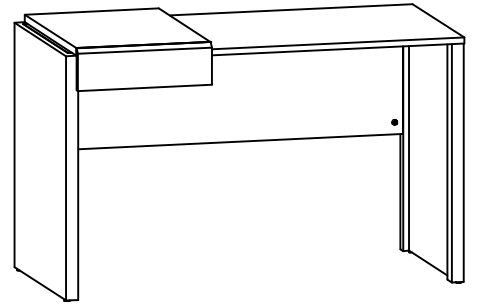
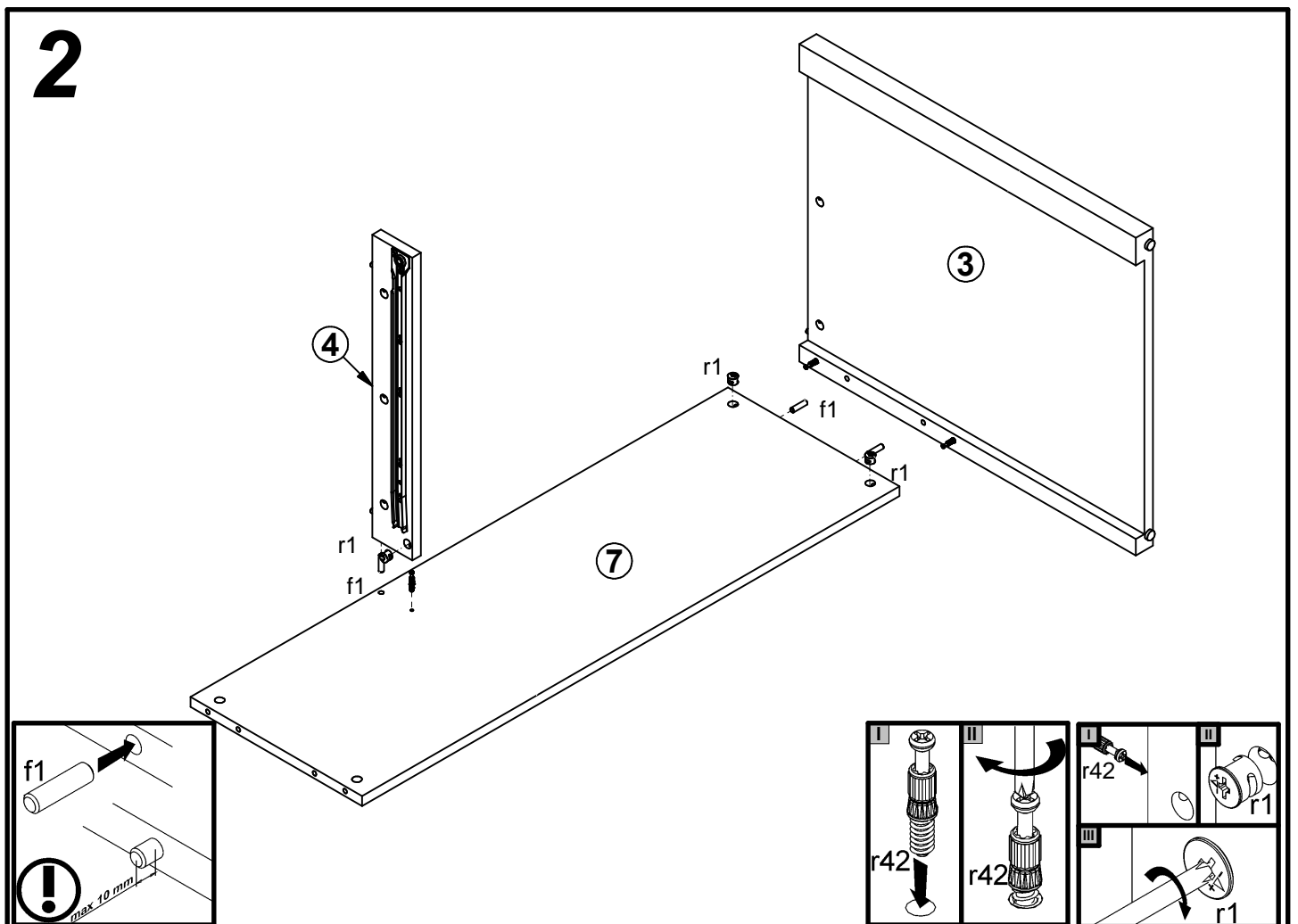
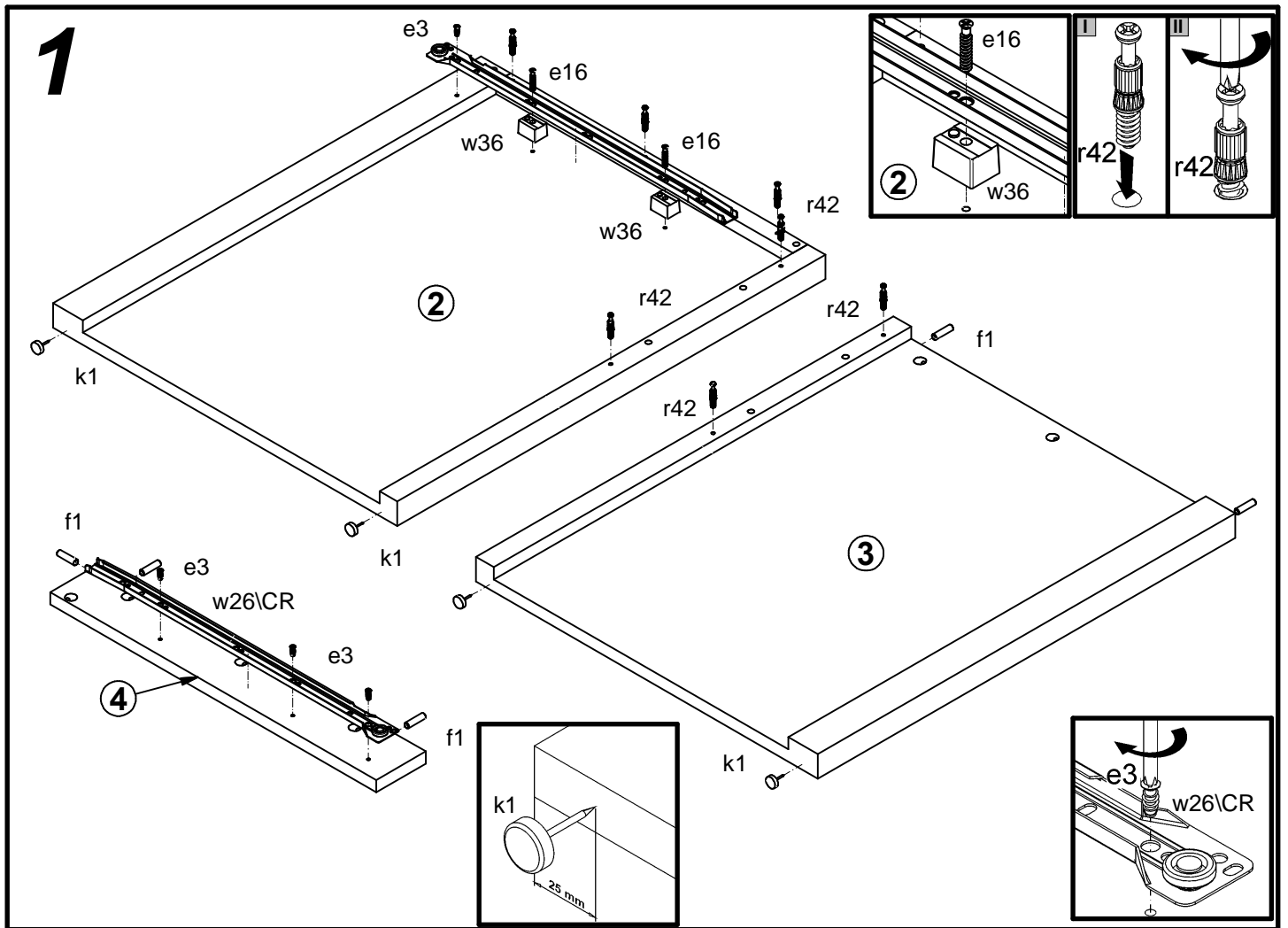


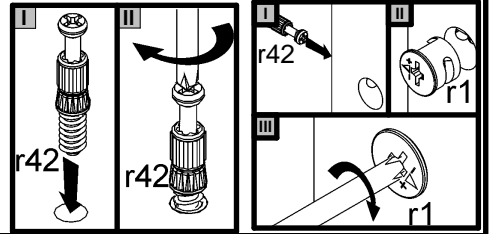
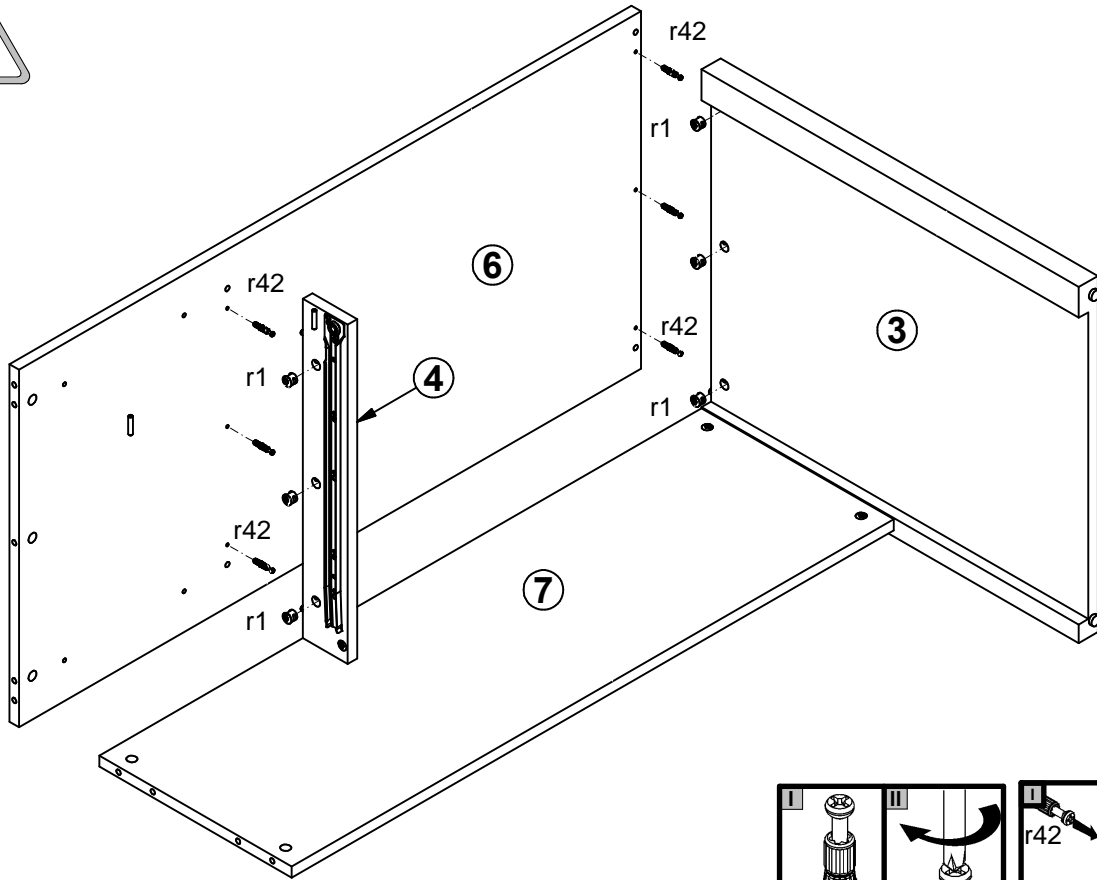
A	B	C	D	A	B	C	D		
1	B07-003	404	124	3/3	7	B07-404	1127	360	2/3
2	B07-104	724	582	1/3	8	B07-501	500	60	2/3
3	B07-105	706	578	1/3	9	B07-502	500	60	2/3
4	B07-106	551	84	2/3	10	B07-503	332	60	2/3
5	B07-202	404	580	3/3	11	B07-901	354	505	3/3
6	B07-203	1164	580	2/3					



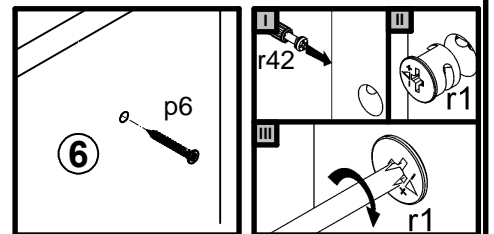
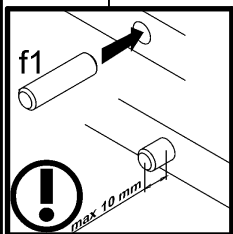
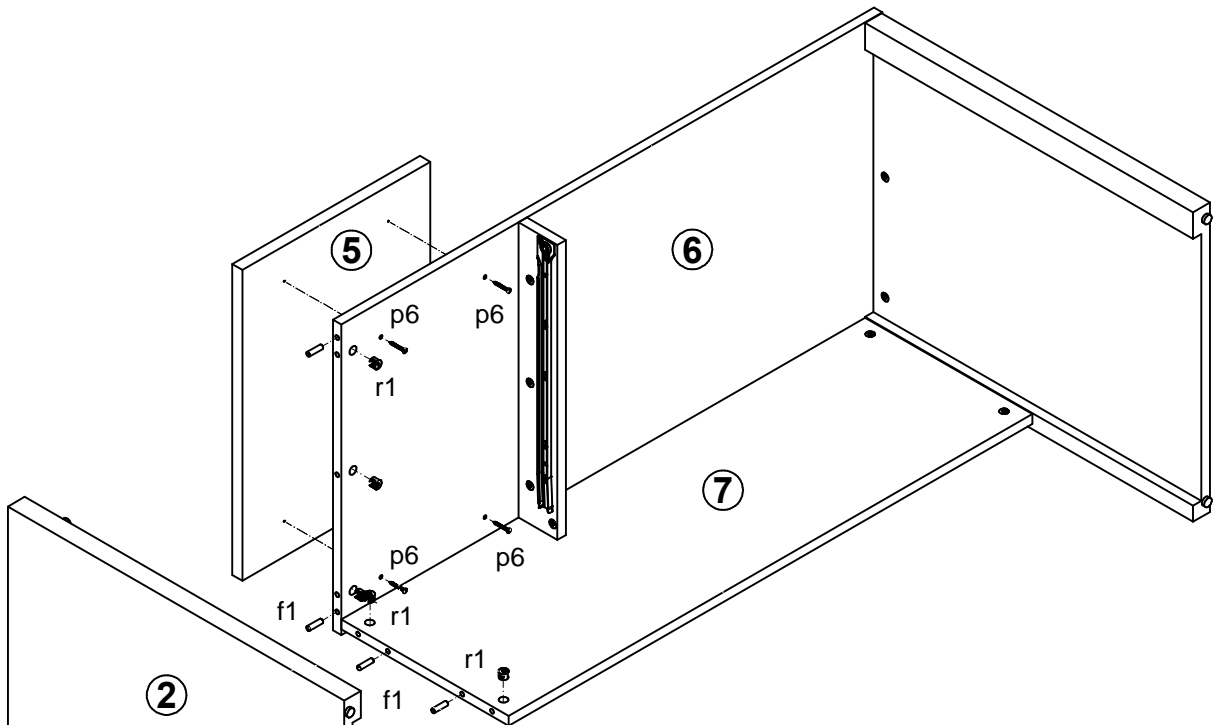
2x Ø6x30 mm e16	6x Ø5x9 mm e19	4x Ø4x35 mm p6	4x Ø6x13 mm e3	11x Ø8x30 mm f1	4x Ø6,5x40 mm f25	4x k1	3x Ø3,5x16 mm p38	14x Ø15x12 mm #16 r1
4x Ø12x10,5 mm #12 r15	18x r42	1x 500 mm w26\CL	1x 500 mm w26\CR	1x 500 mm w26\DL	1x 500 mm w26\DR	2x H=18 mm w36	3x s2	2x Ø6x30 mm f9



3



4



5

