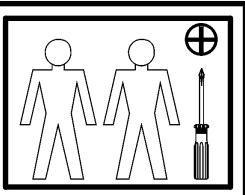
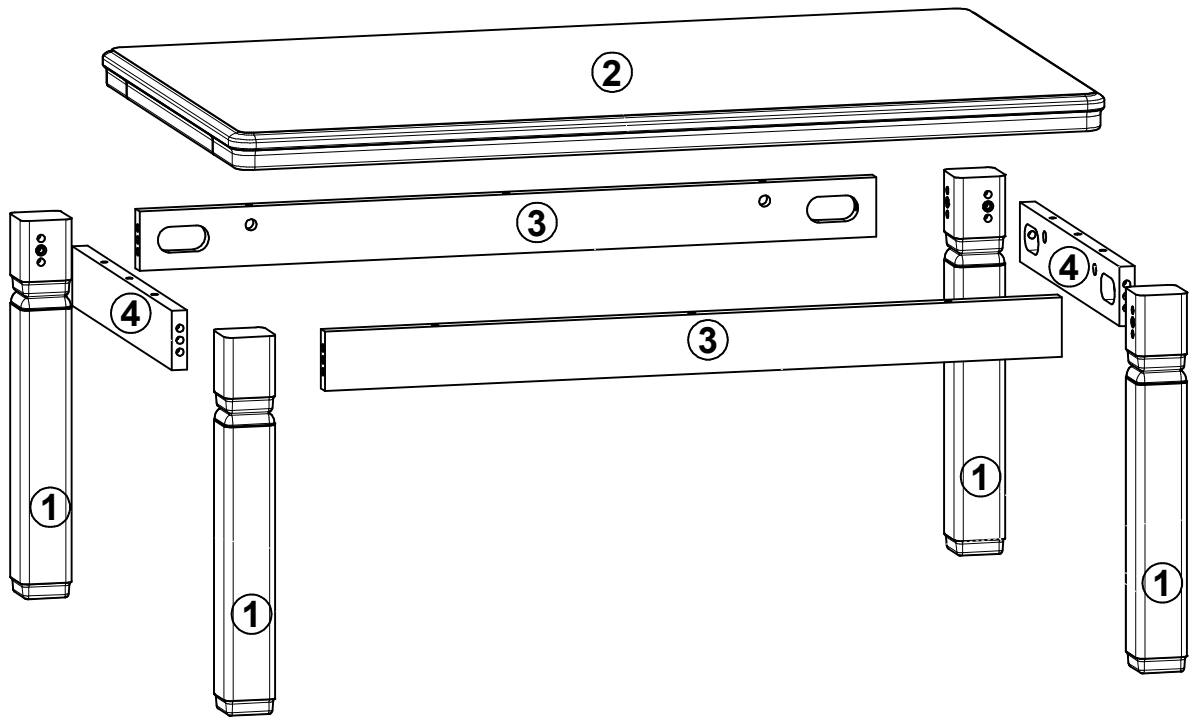


CHARLOTTA

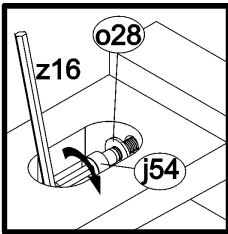
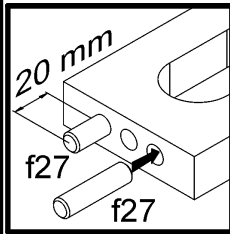
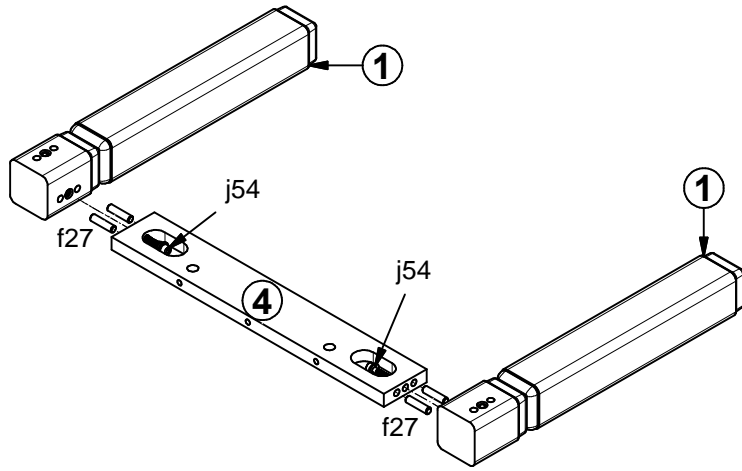
S96-LAW

A	B	C	D	
1	S96-134	510	70	2/2
2	S96-222	1200	700	1/2
3	S96-416	1010	80	2/2
4	S96-417	510	80	2/2

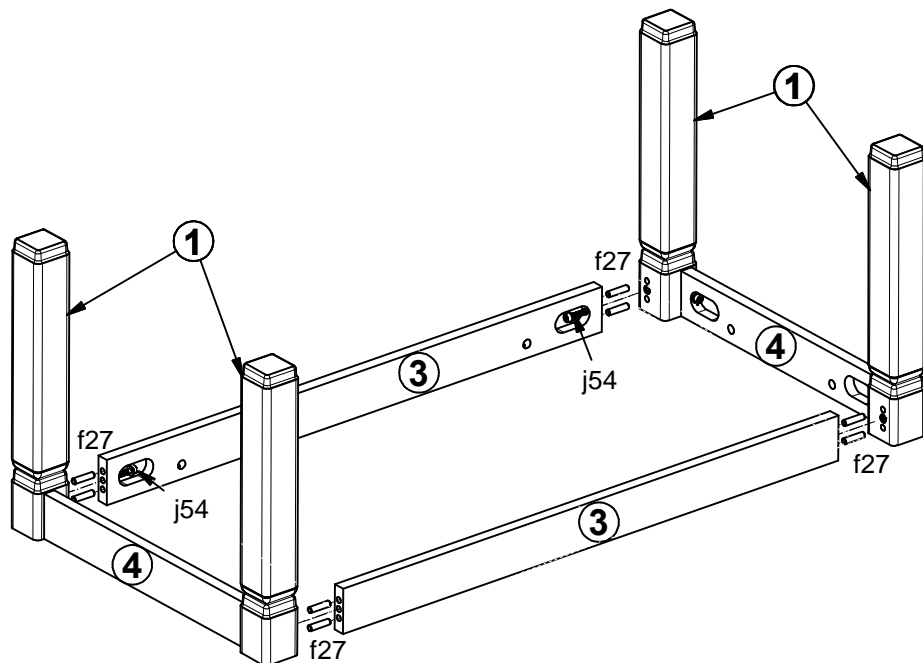
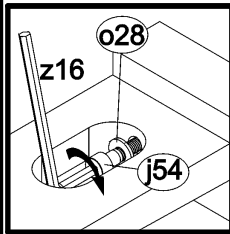
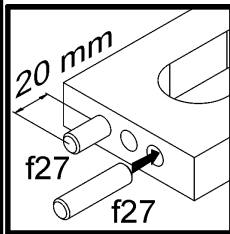


16x φ10x40 mm f27	4x φ8x35 mm f29	8x M8x40 mm j54	8x φ8φ17x1,8 mm o28	8x φ15x15mm #22 r3	8x r42	1x 6mm z16
-------------------------	-----------------------	-----------------------	---------------------------	--------------------------	-----------	------------------

1



2



3

