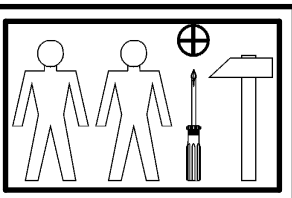
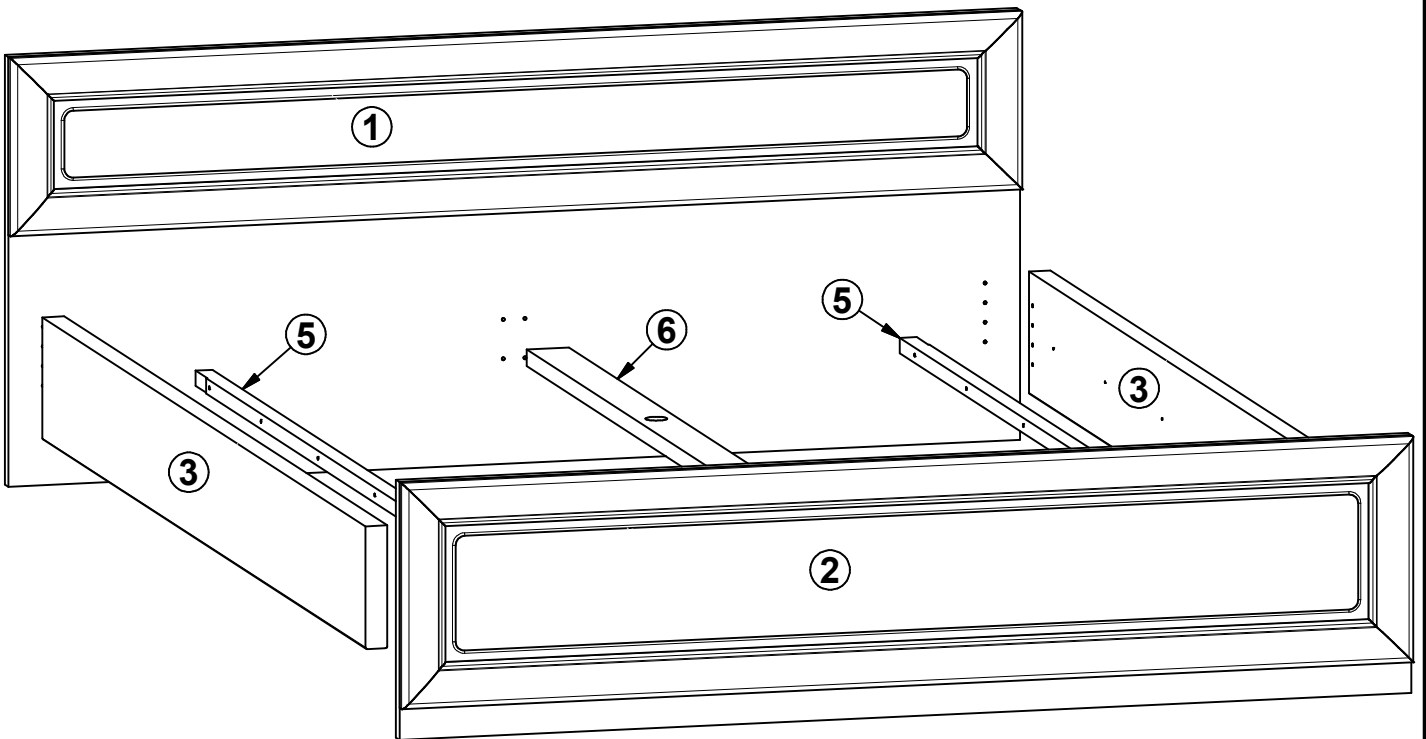
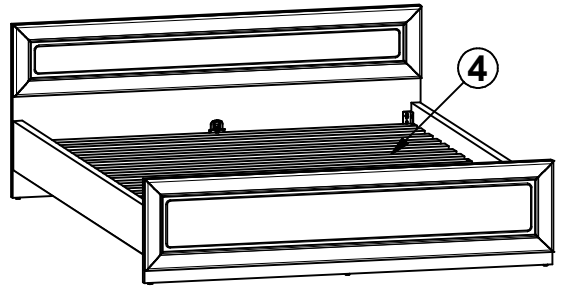


CHARLOTTA

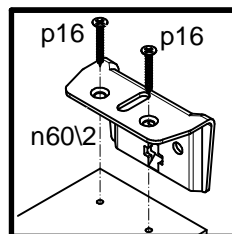
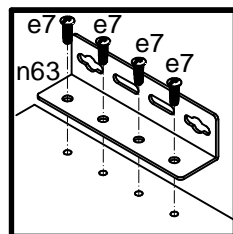
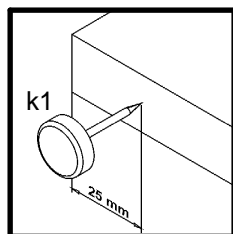
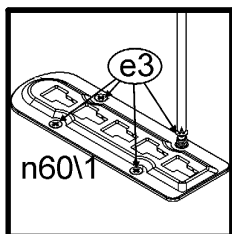
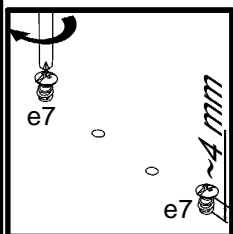
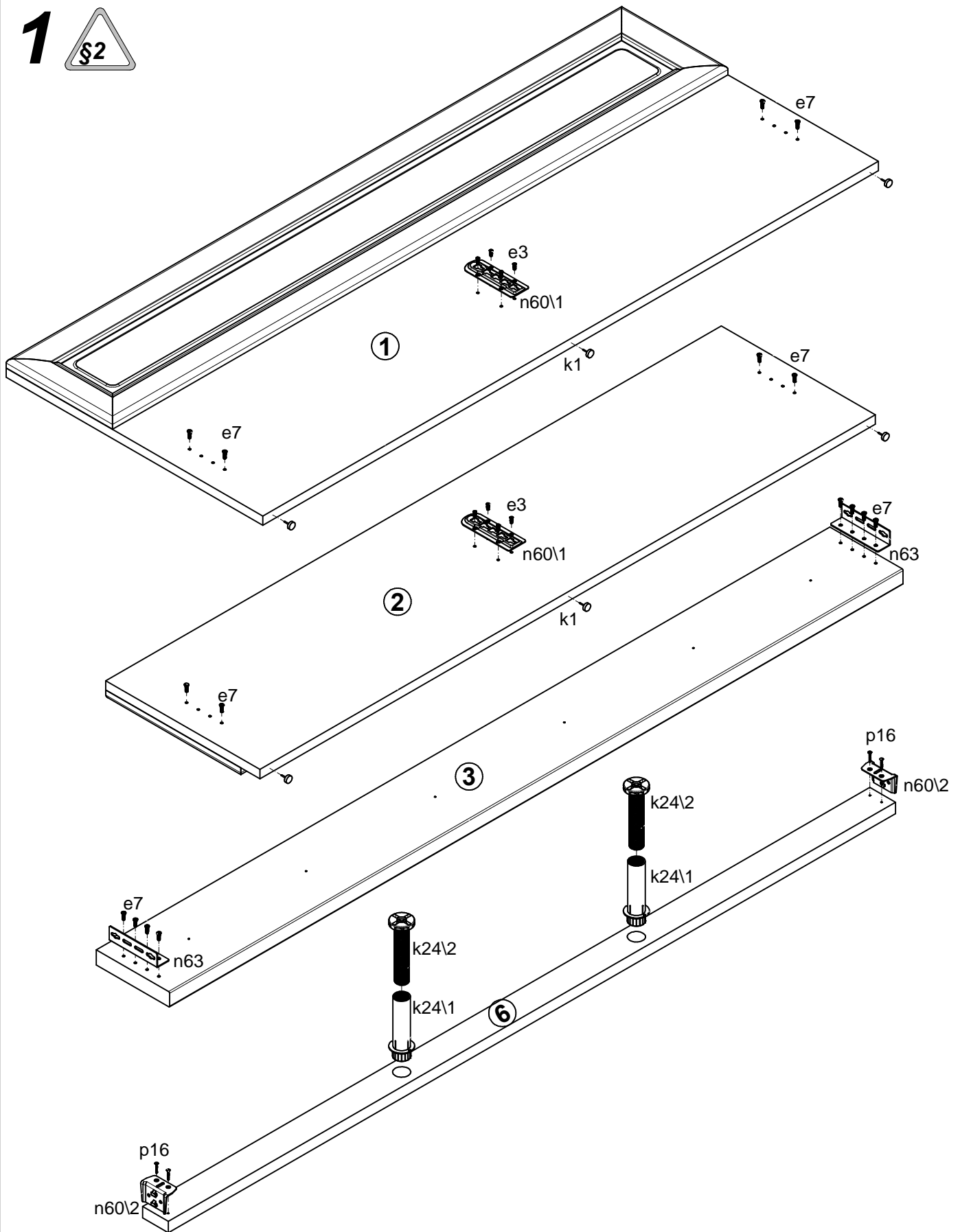
S96-LOZ/160

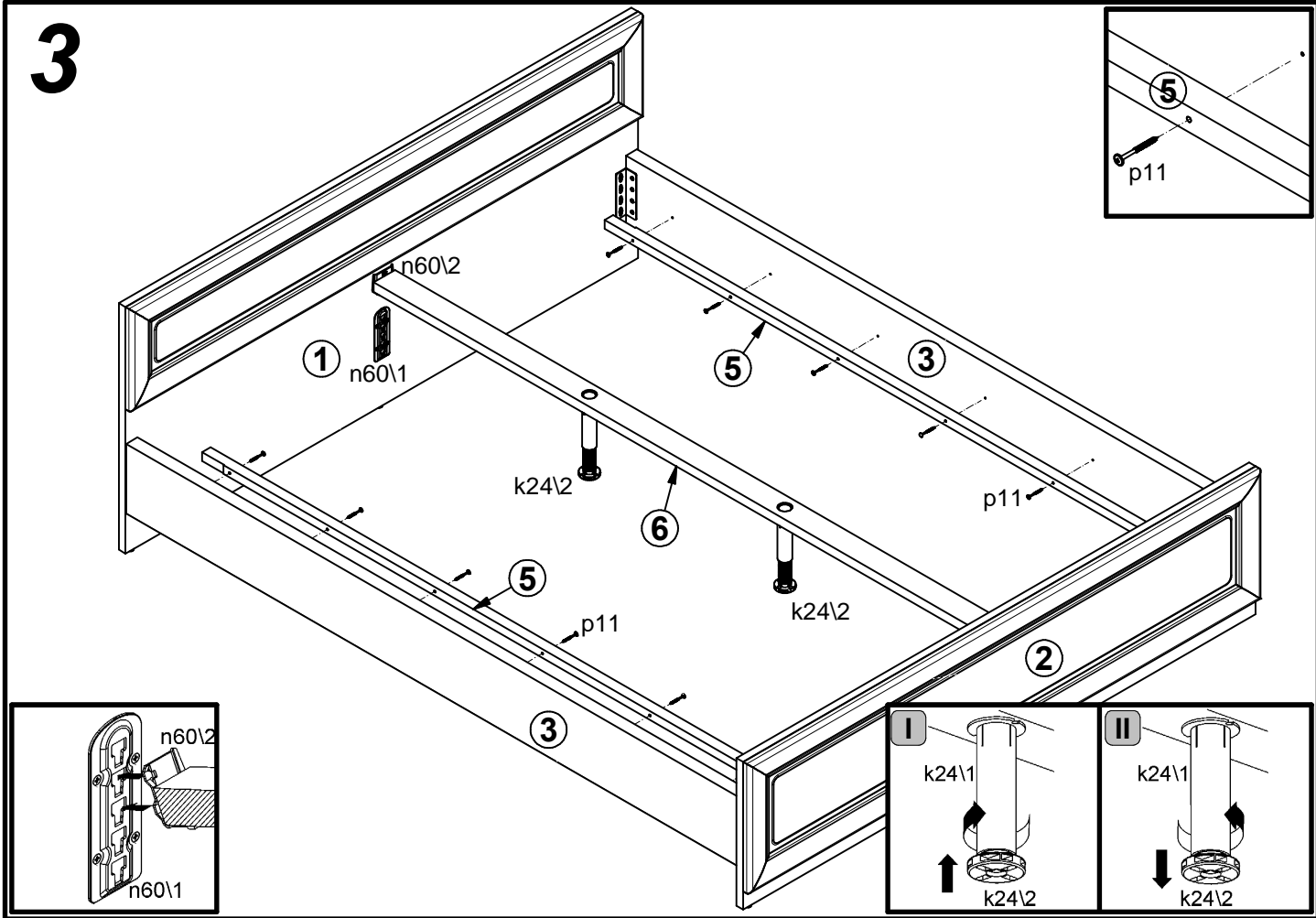
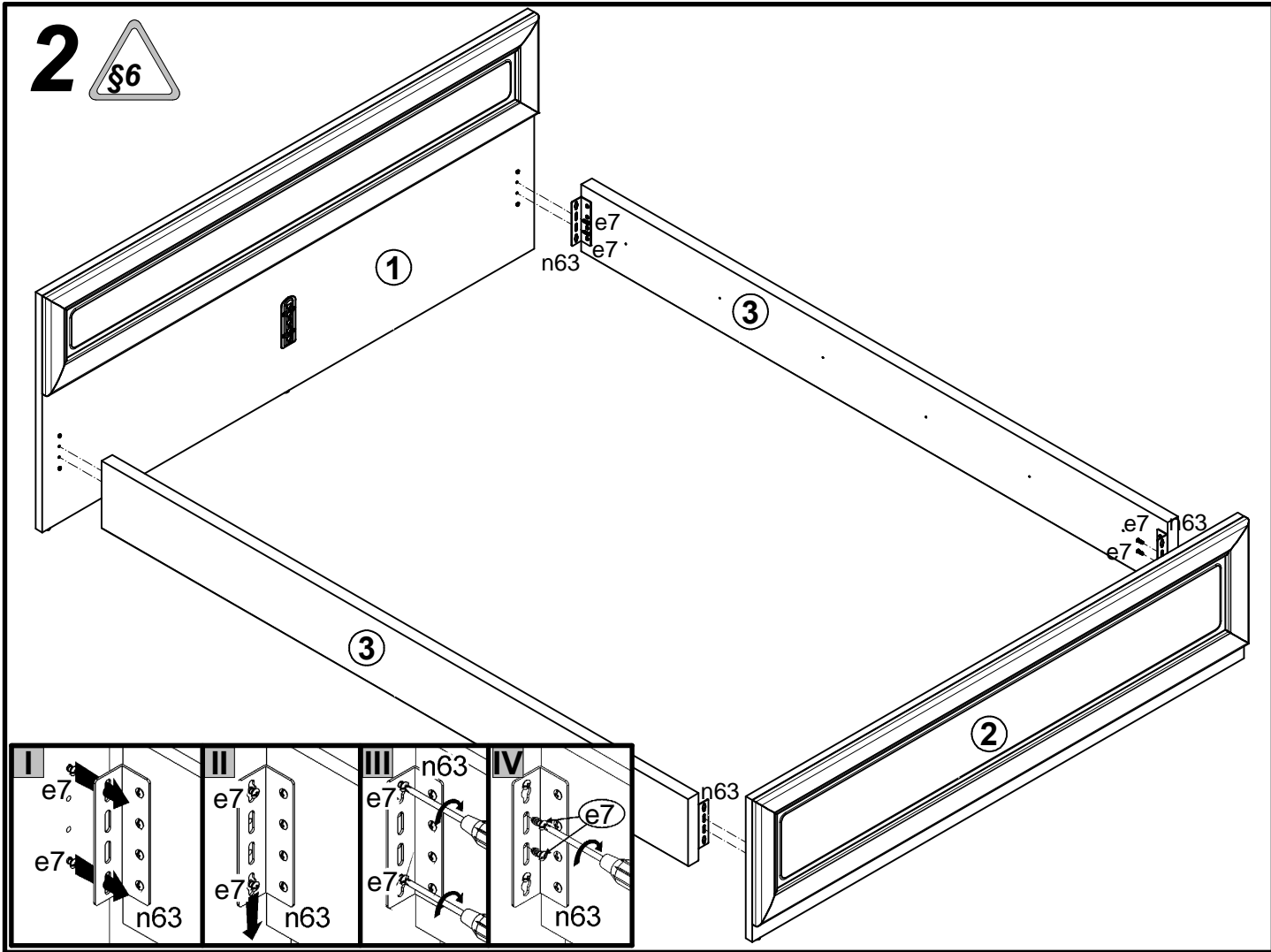
A	B	C	D	
1	S96-020	1678	700	3/3
2	S96-021	1678	420	2/3
3	S96-132	2000	200	1/3
4	ZZ1-501	1872	1578	1/1
5	ZZ1-725	1880	30	1/3
6	ZZ1-726	1983	70	1/3



8x φ6x13 mm e3	32x φ6.3x16 mm e7	6x k1	2x k24\1	2x k24\2	2x n60\1	2x n60\2	4x 130x34x3\2mm n63	6x φ4x5 mm p6
12x φ4x45 mm p11	4x φ3.5x25 mm p16							

1 





4

