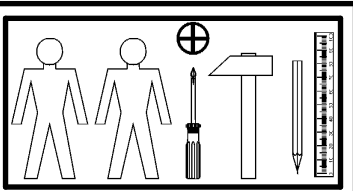
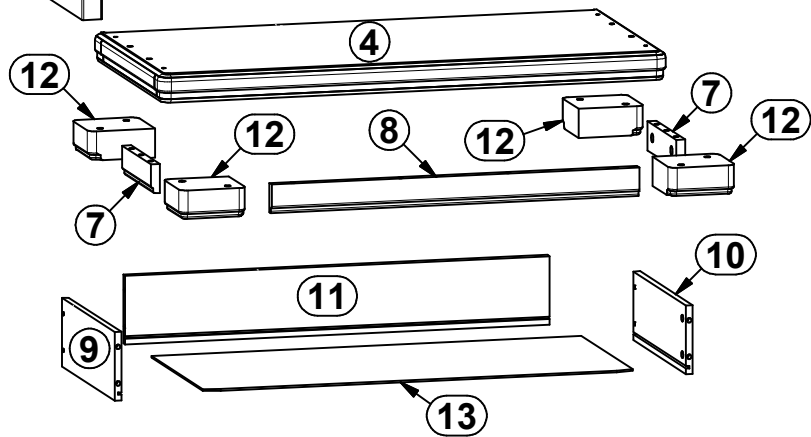
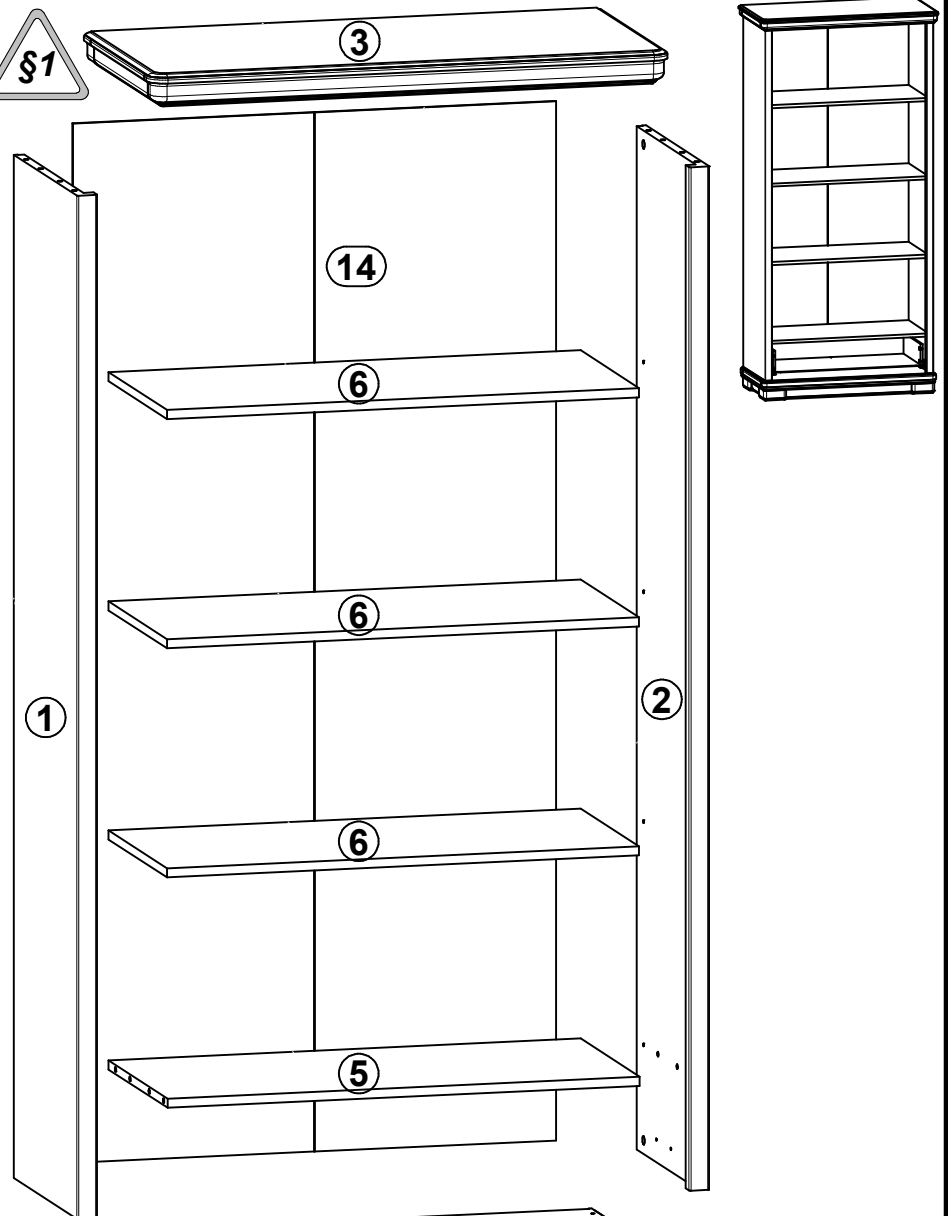


CHARLOTTA

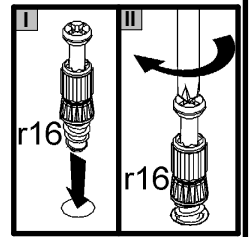
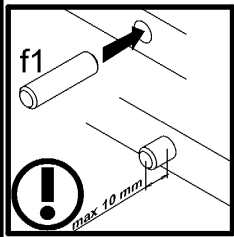
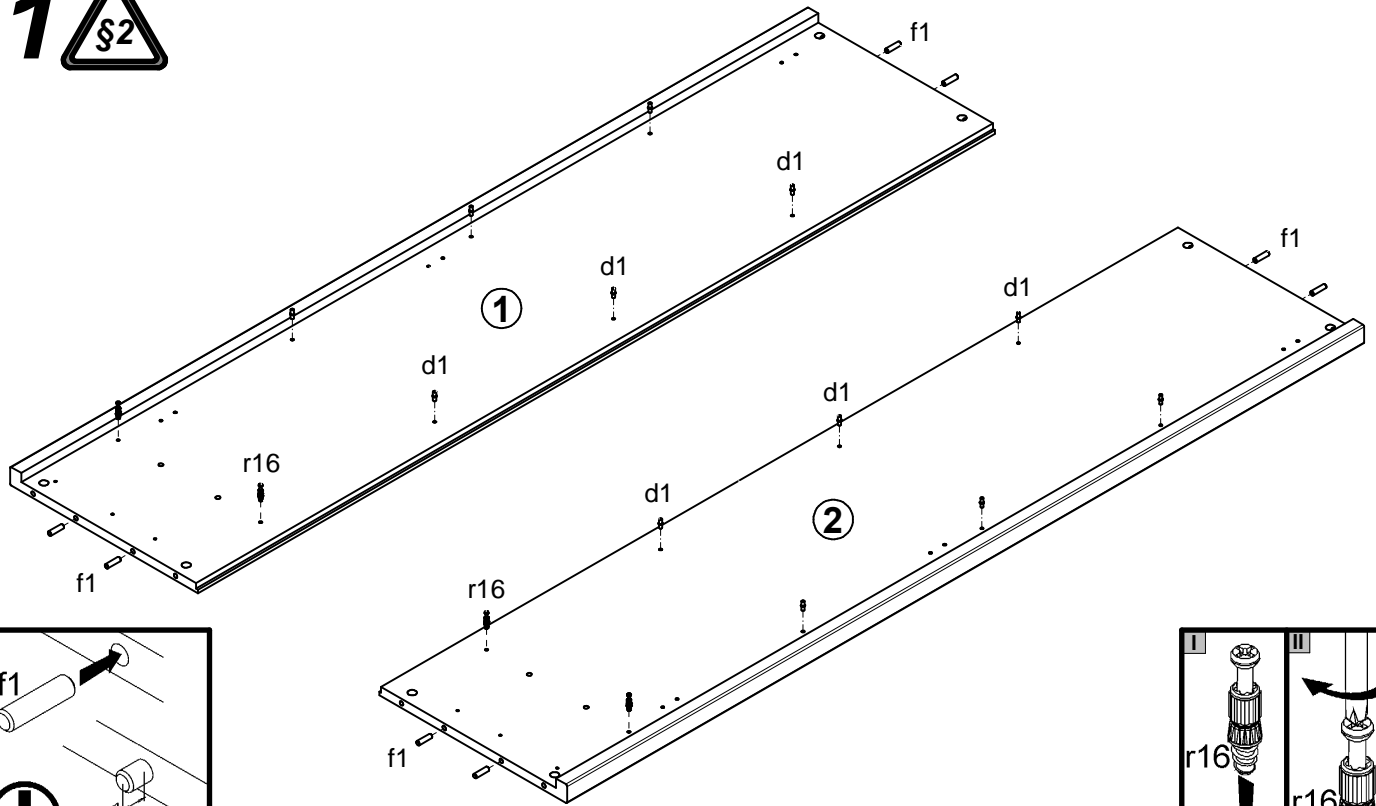
S96-REG2W1S/19/9

A	B	C	D	
1	S96-130	1791	422	2/3
2	S96-131	1791	422	2/3
3	S96-209	927	448	1/3
4	S96-210	905	435	1/3
5	S96-302	841	393	2/3
6	S96-304	841	389	2/3
7	S96-404	191	51	2/3
8	S96-406	655	51	2/3
9	S96-501	350	120	2/3
10	S96-502	350	120	2/3
11	S96-506	756	120	2/3
12	S96-550	117	117	1/3
13	S96-904	766	348	2/3
14	S96-9902	1819	861	2/3

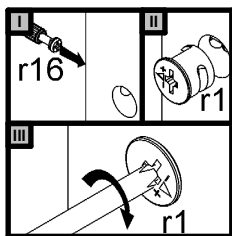
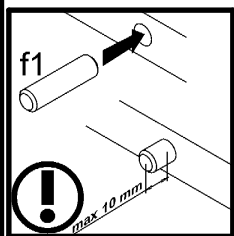
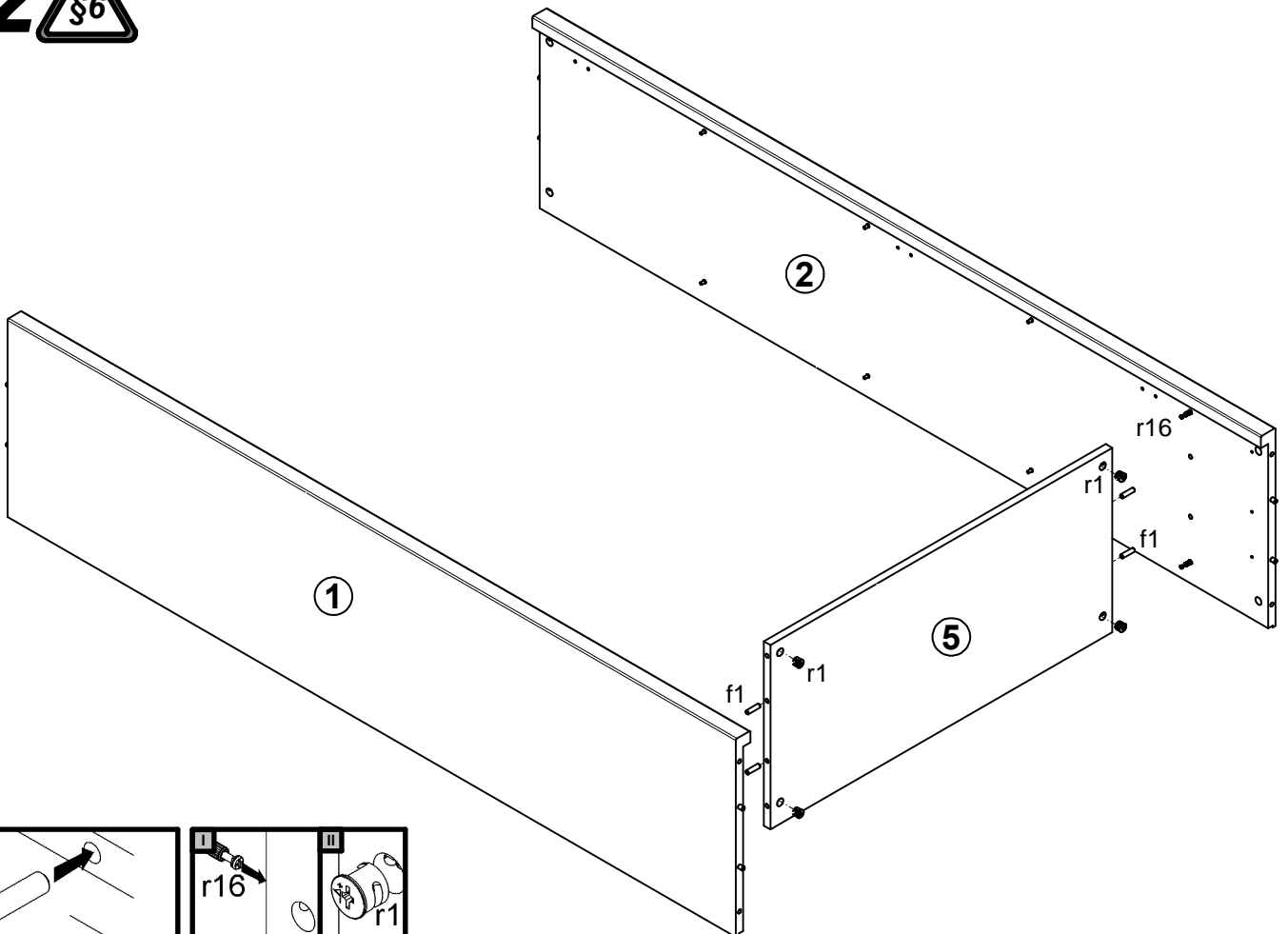


12x φ5x17 mm d1	6x φ6x30 mm e16	16x φ8x30 mm f1	4x φ6.5x40 mm f25	8x φ10x40 mm f27	70x l1	2x φ3.5x16 mm p25	4x φ3x12 mm p54	18x φ1.5x12mm #16 r1
4x φ12x10.5mm #12 r15	22x r16	4x ø16 s2	1x 333 mm t19	6x h=18 mm w36	1x 350 mm w45\CL	1x 350 mm w45\CR	1x 350 mm w45\DL	1x 350 mm w45\DR
1x n26\l	1x φ3.5x16 mm p38	1x GLUE y1						

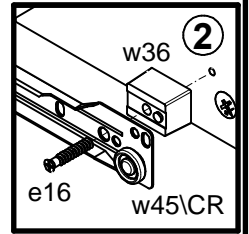
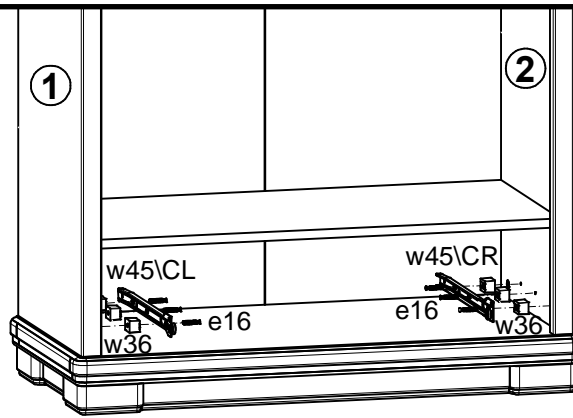
1 



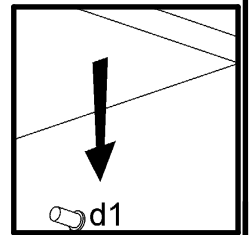
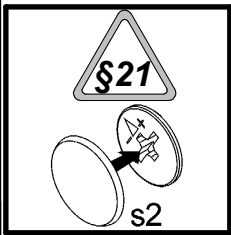
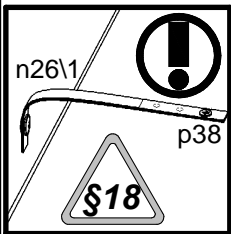
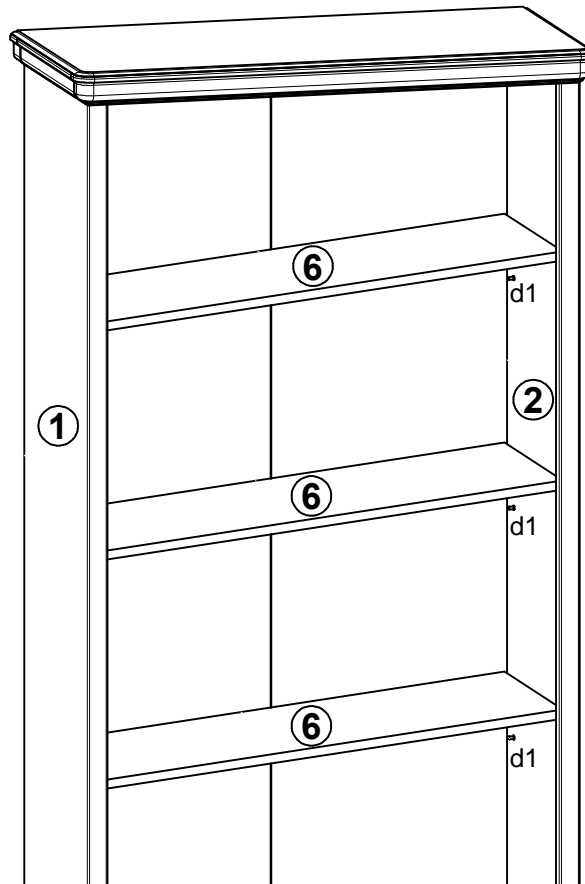
2 



5



6



7

