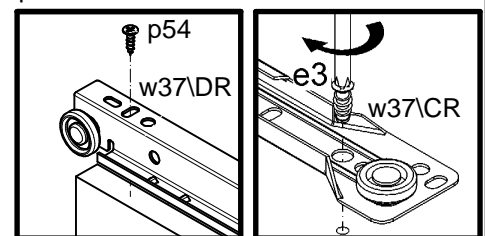
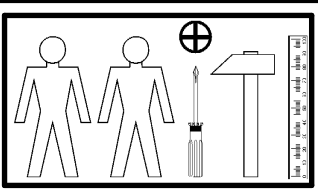
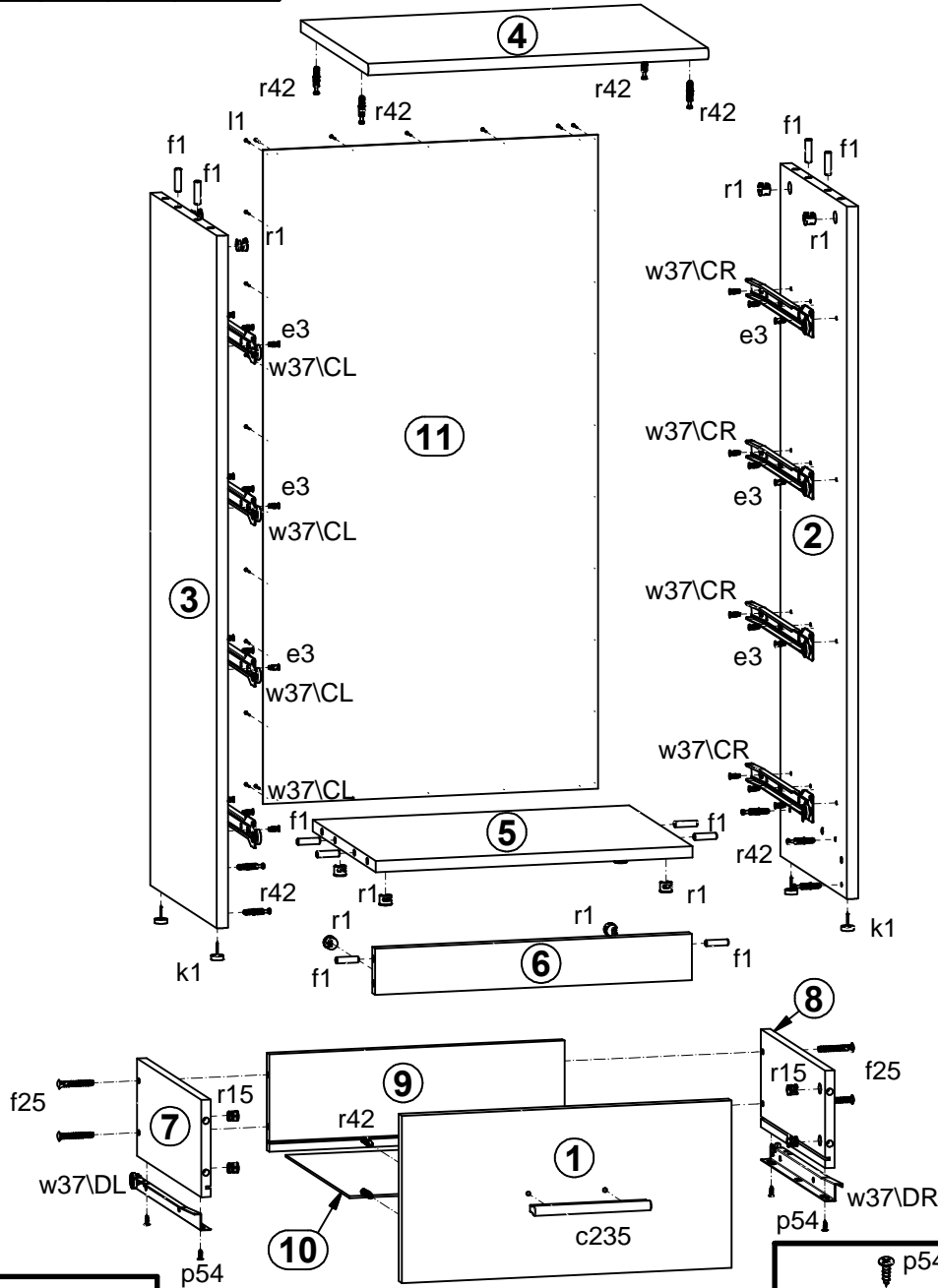
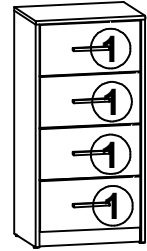


A	B	C	D	A	B	C	D		
1	S172-010	413	206	1/1	7	S172-501	300	120	1/1
2	S172-109	900	330	1/1	8	S172-502	300	120	1/1
3	S172-110	900	330	1/1	9	S172-506	370	120	1/1
4	S172-203	450	333	1/1	10	S172-907	380	298	1/1
5	S172-306	419	312	1/1	11	S172-908	850	443	1/1
6	S172-403	419	60	1/1					



4x L=96/128 mm c235	24x Ø6x13 mm e3	10x Ø8x30 mm f1	16x Ø6.5x40 mm f25	4x k1	30x l1	16x Ø3x12 mm p54	8x Ø4x30 mm p9	10x Ø15x12 mm #16 r1
16x Ø12x10.5 mm #12 r15	26x r42	4x 300 mm w37\CL	4x 300 mm w37\CR	4x 300 mm w37\DL	4x 300 mm w37\DR	1x n26\1	1x Ø3.5x16 mm p38	