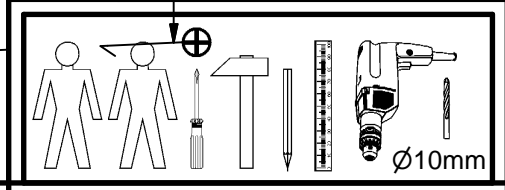
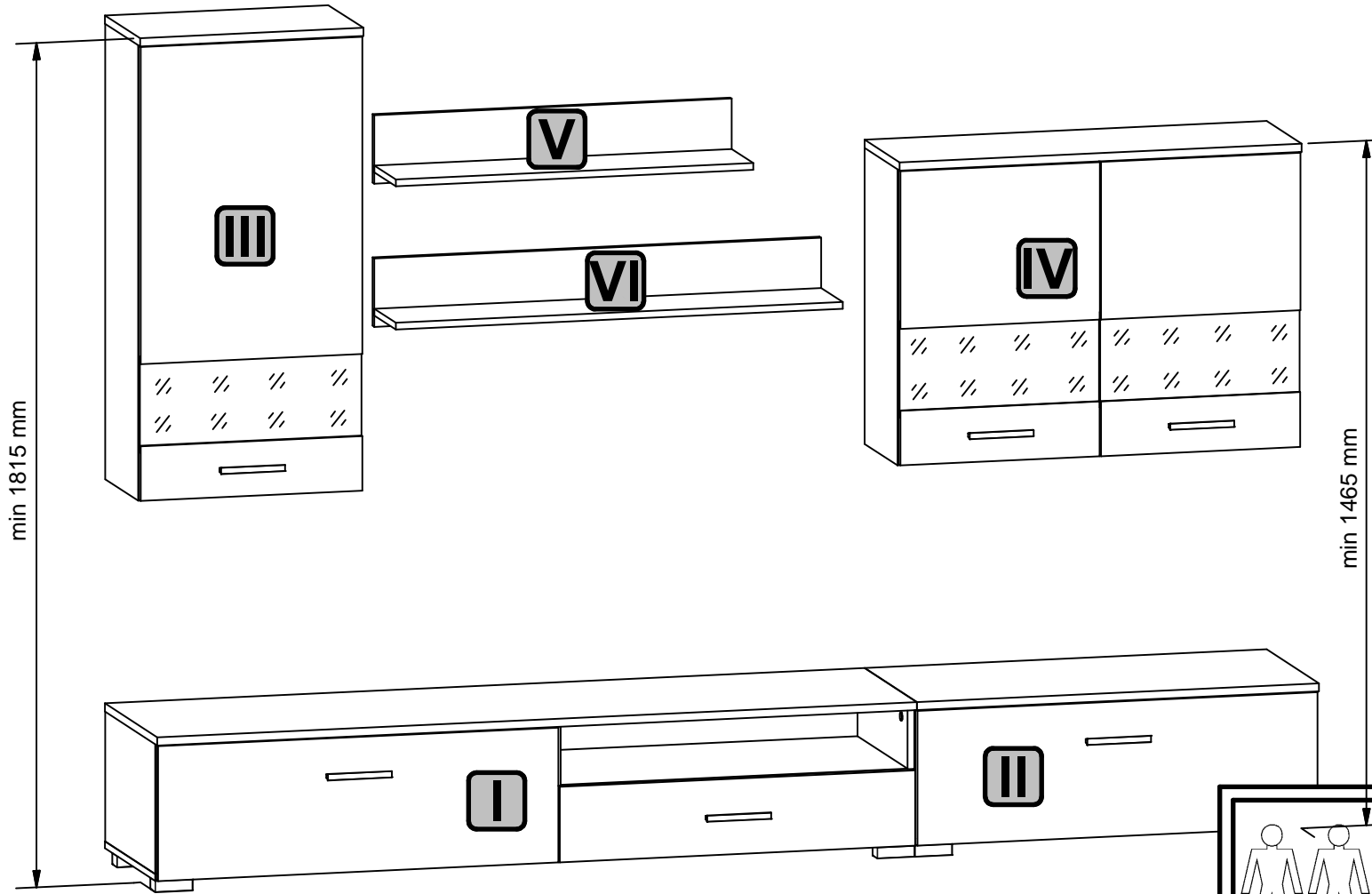


M124-NEYO

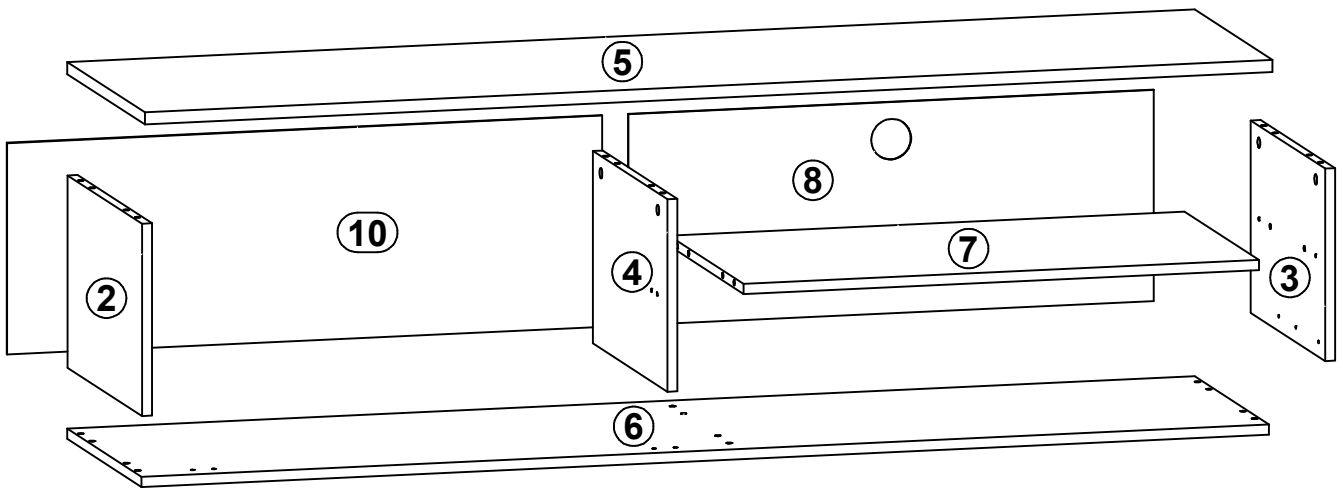
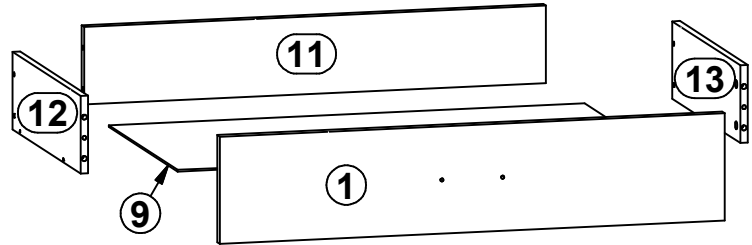
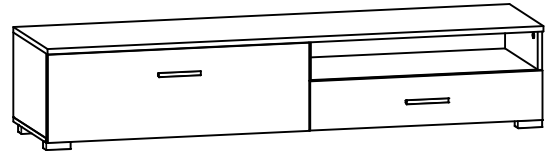


11x a44	11x b19	6x c335	4x d1 Ø5x17 mm	17x e1 Ø7x50 mm	4x e19 Ø5x9 mm	22x e2 Ø6,3x13 mm	14x e3 Ø6x13 mm	8x e4 Ø5x11 mm	41x f1 Ø8x30 mm	4x f25 Ø6,5x40 mm	8x f35 Ø10x50 mm	2x f9 Ø6x30 mm
4x g2	9x k77 84x40/25 mm	160x l1	4x m3 L=236 mm	4x n122	12x p1 Ø3,5x13 mm	8x p21 Ø4x30 mm	1x p25 Ø3,5x16 mm	1x p35 Ø3,5x10 mm	18x p36 Ø4x25 mm	6x p38 Ø3,5x16 mm	22x p51 Ø3,5x15 mm	12x p60 Ø4x22 mm
8x p75 Ø6x60 mm	38x r1 Ø15x12 mm #16	4x r15 Ø12x10,5 mm #12	42x r42	34x s2 Ø16	1x t33 400 mm	1x w5ICL 400 mm	1x w5ICR 400 mm	1x w5IDL 400 mm	1x w5IDR 400 mm	1x z1		

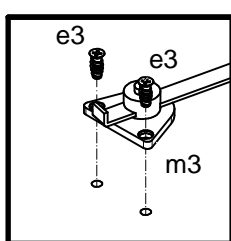
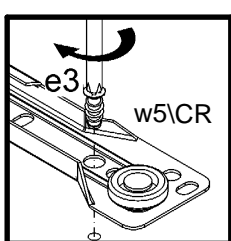
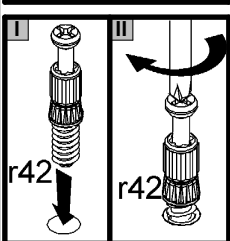
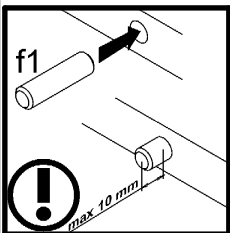
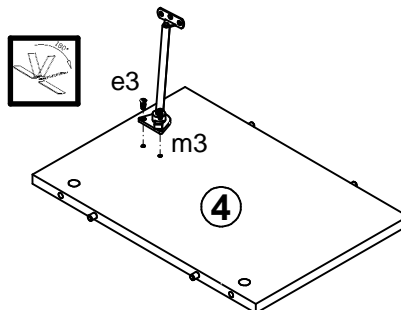
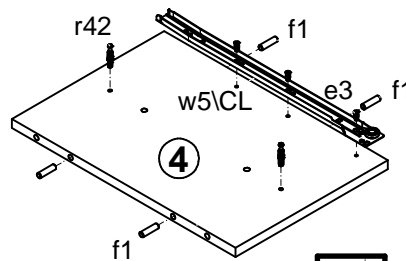
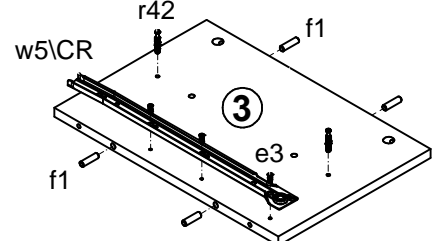
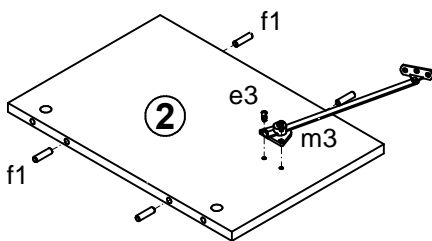
I

M124-RTV1B1S

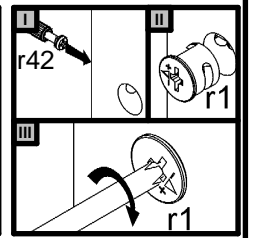
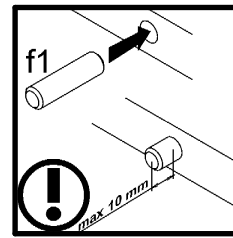
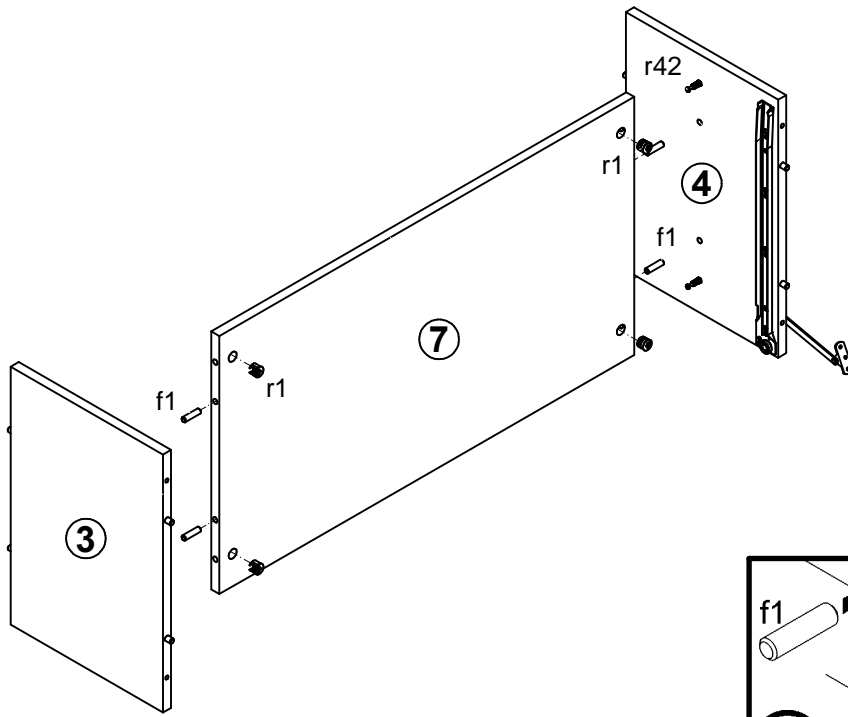
A	B	C	D	
1	M124-002	796	166	6/7
2	M124-101	285	419	2/7
3	M124-102	285	419	2/7
4	M124-103	285	419	1/7
5	M124-201	1700	437	1/7
6	M124-202	1700	419	1/7
7	M124-301	777	419	2/7
8	M124-901	313	792	4/7
9	M124-902	750	405	4/7
10	M124-906	313	897	4/7
11	ZS3-5540	728	120	3/7
12	ZS4-503	400	120	3/7
13	ZS4-504	400	120	3/7



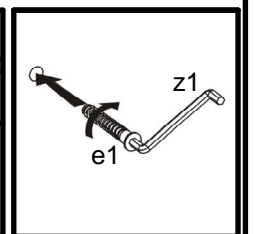
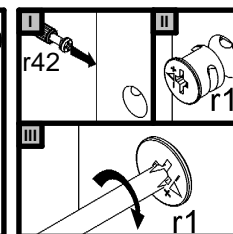
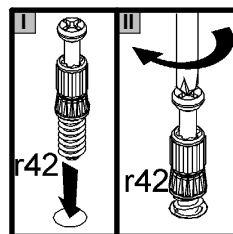
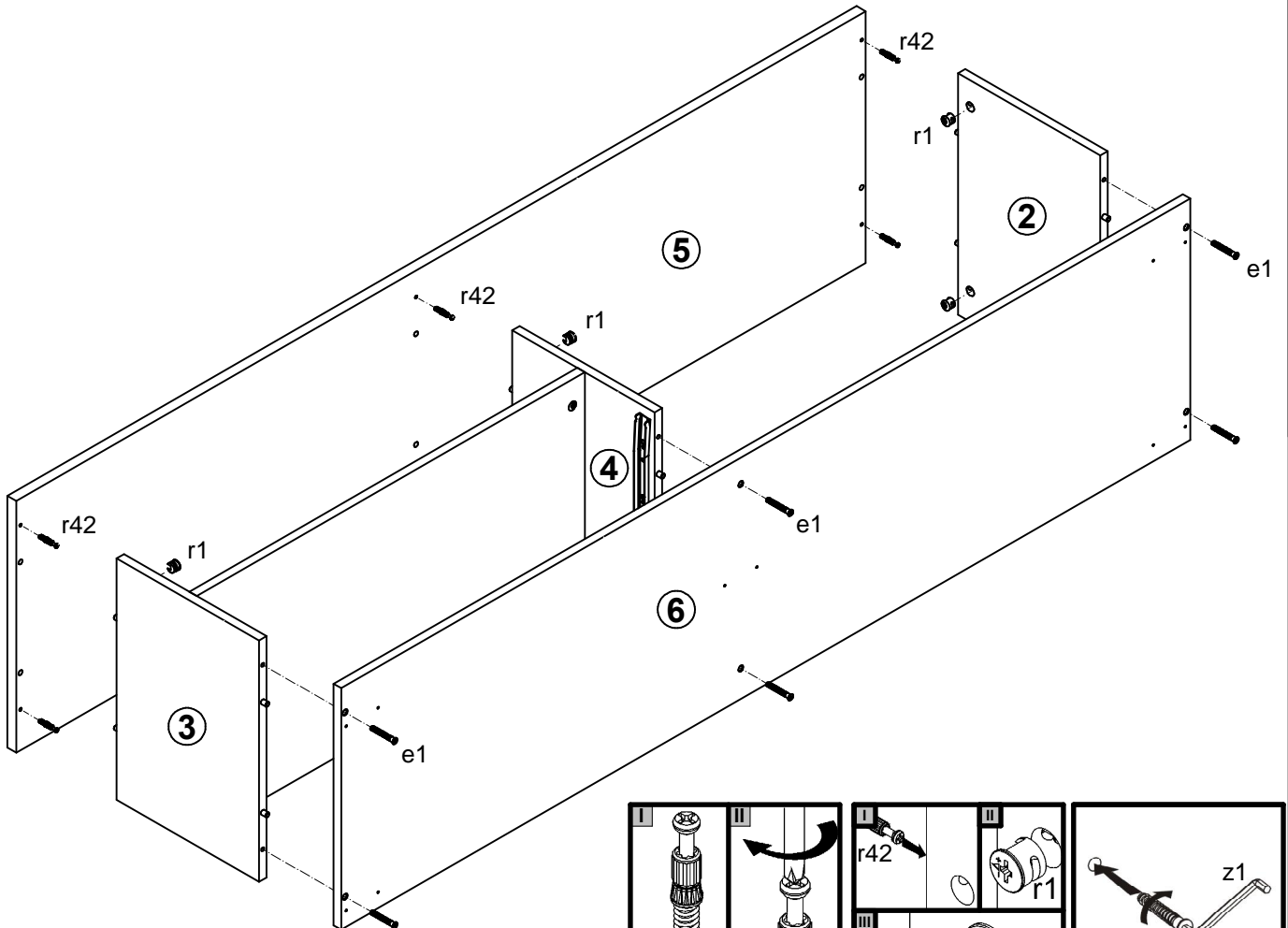
1

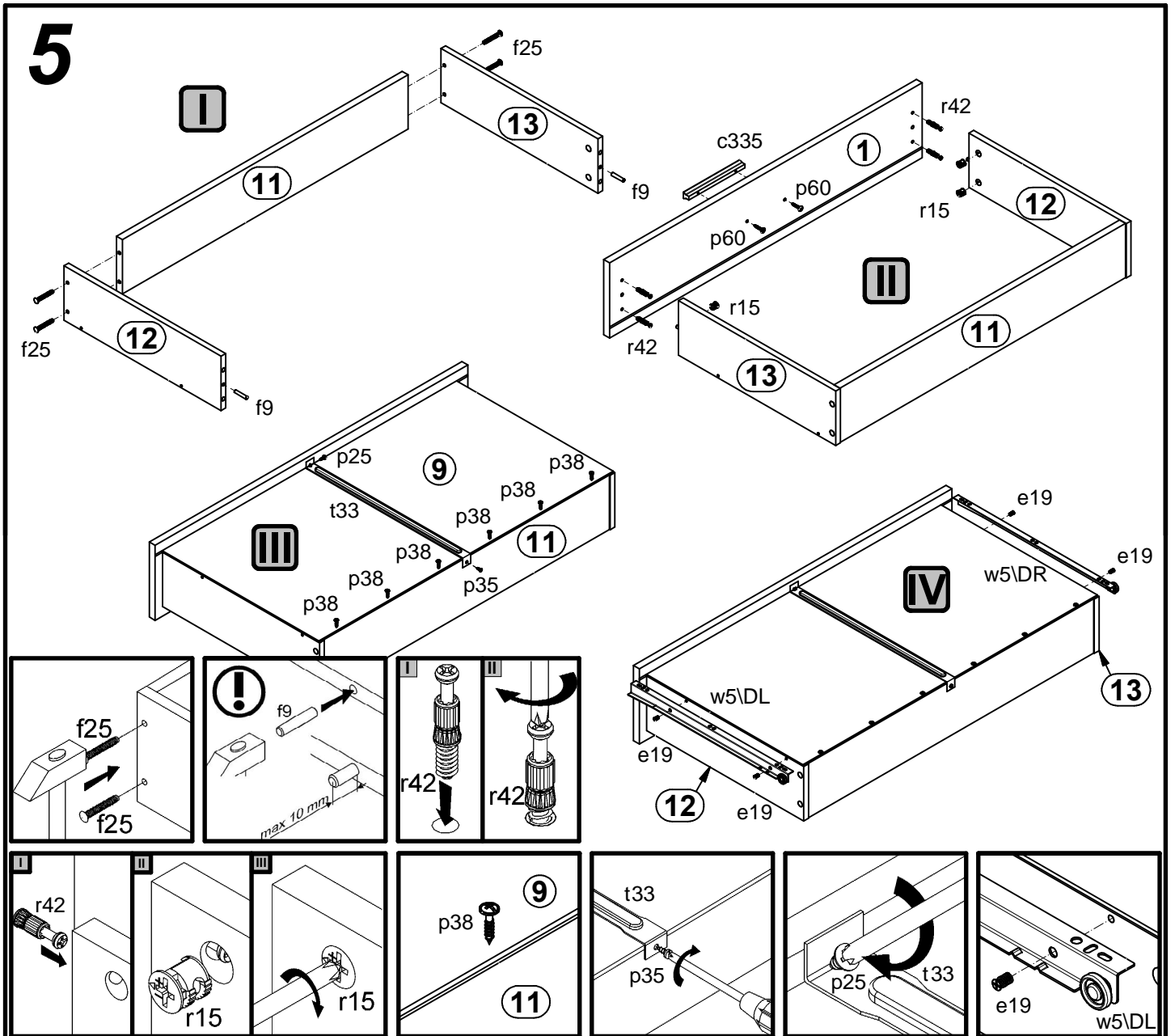
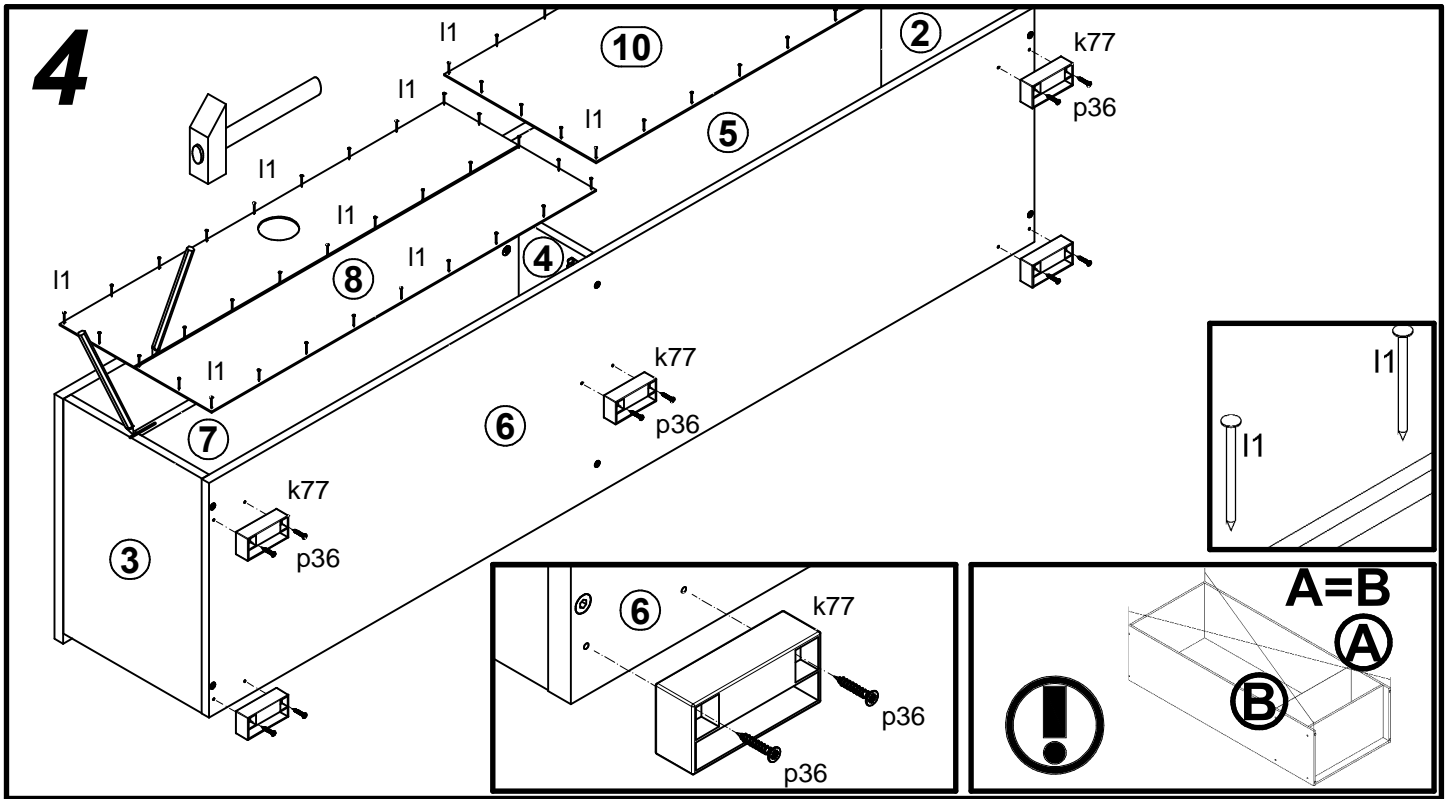


2



3

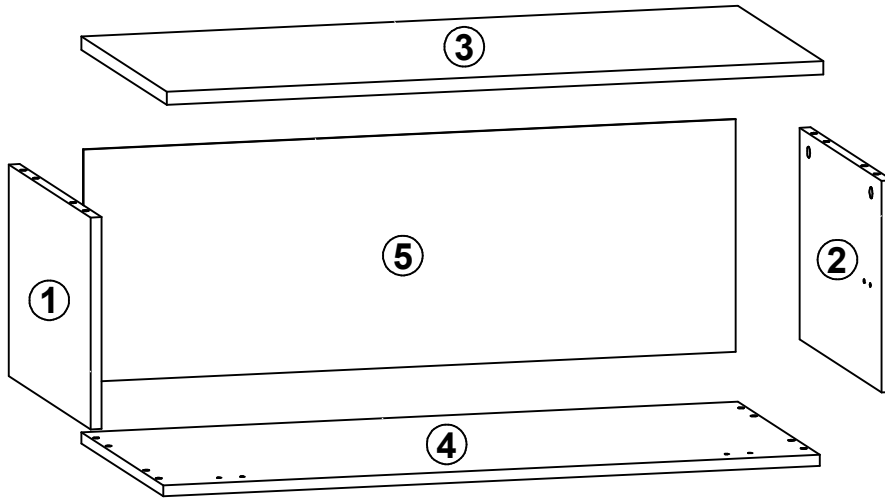
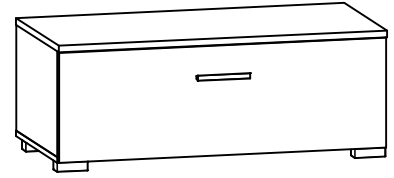




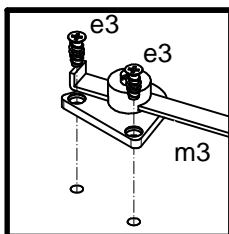
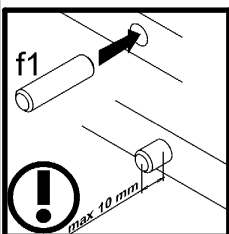
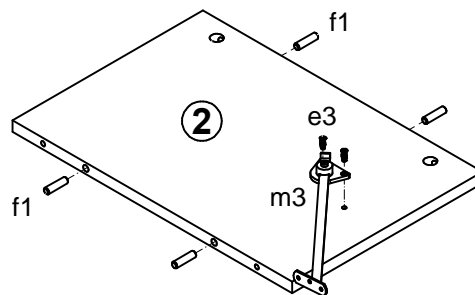
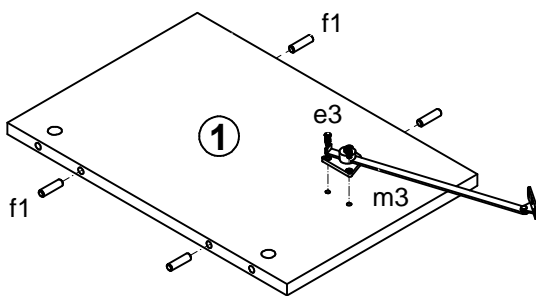


M124-RTV1B

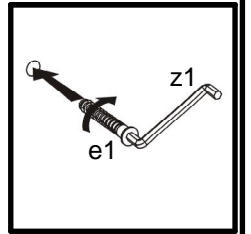
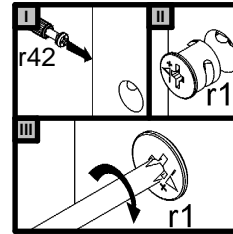
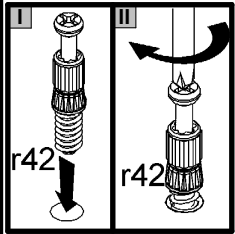
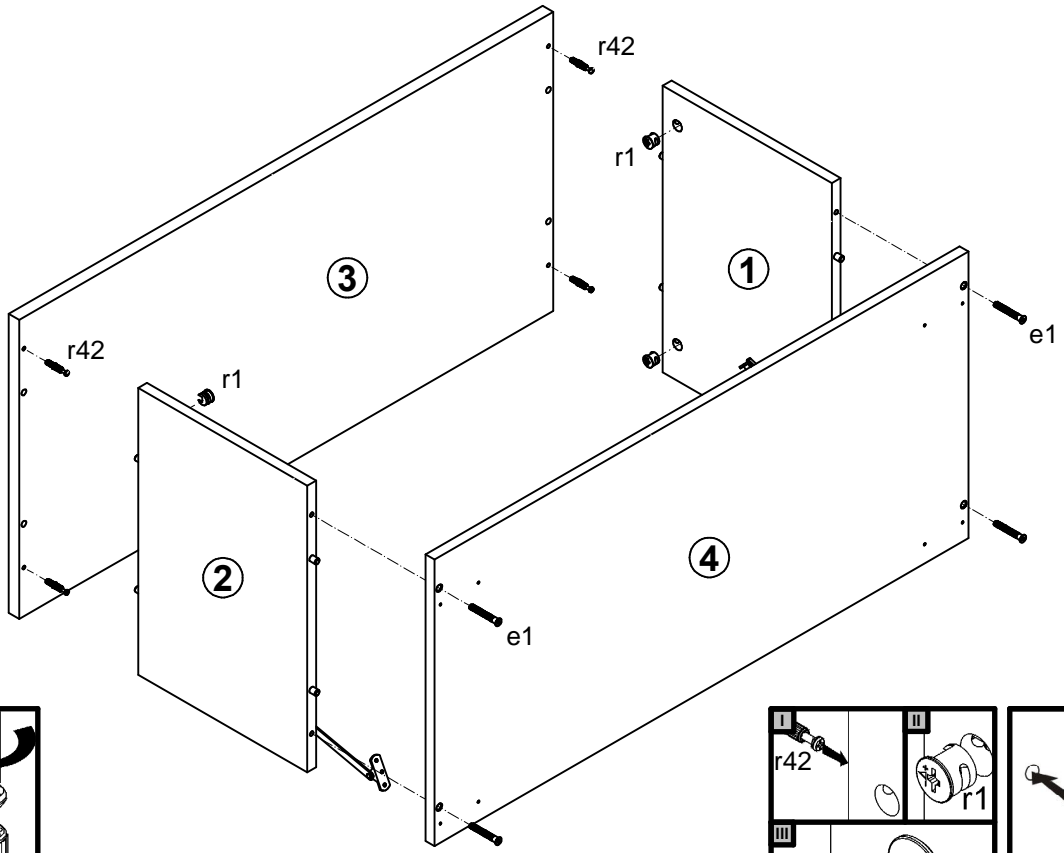
A	B	C	D	
1	M124-101	285	419	2/7
2	M124-104	285	419	1/7
3	M124-203	900	437	1/7
4	M124-204	900	419	2/7
5	M124-903	313	894	4/7



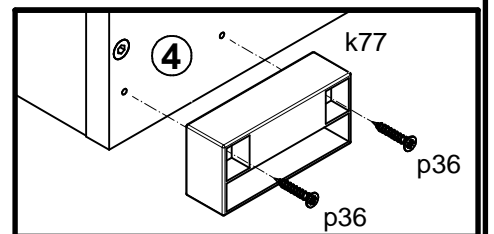
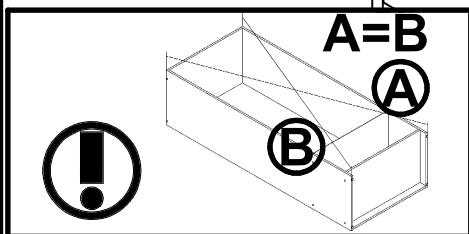
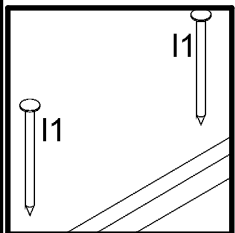
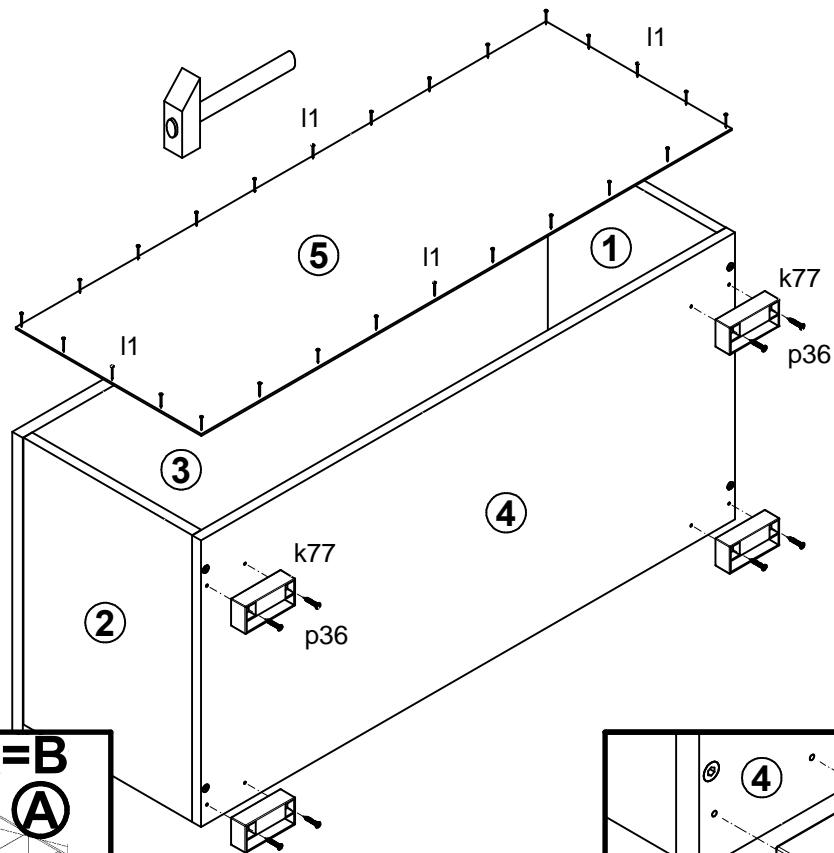
6 §2



7



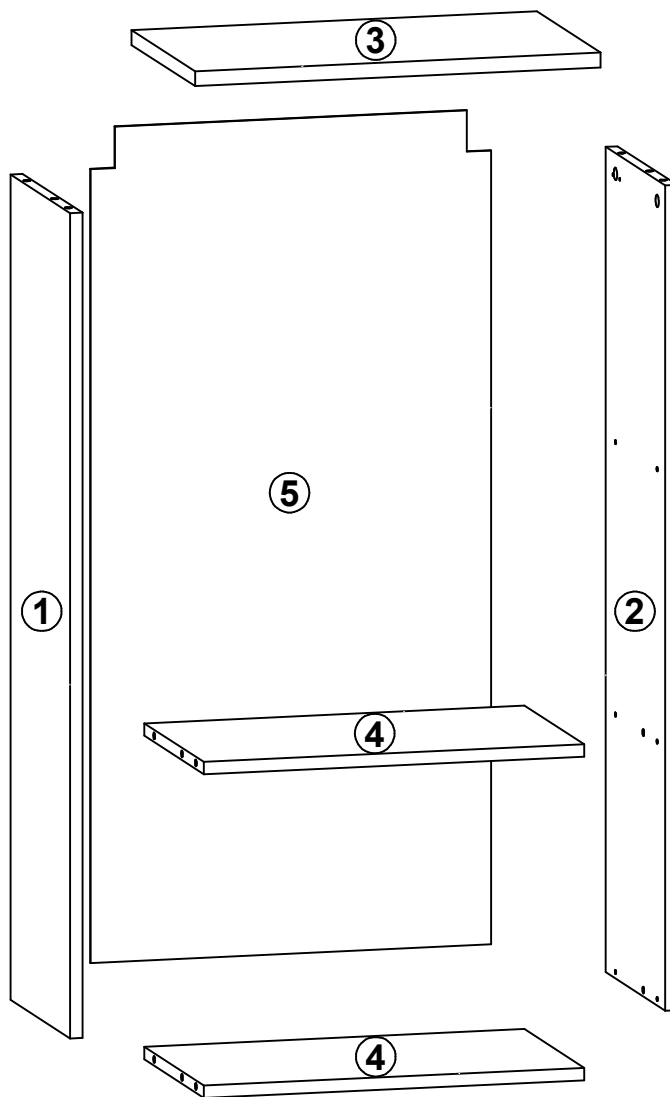
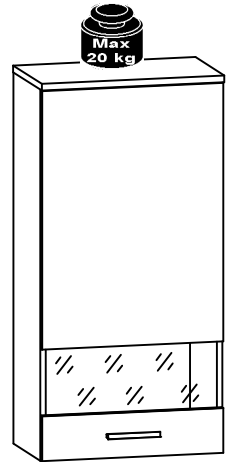
8



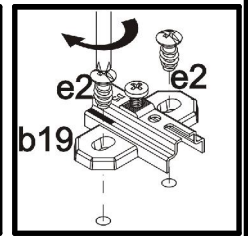
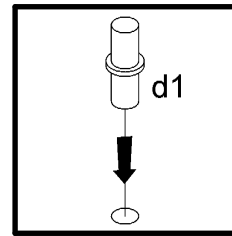
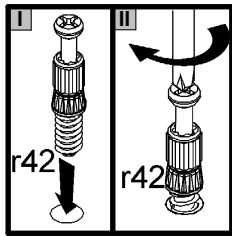
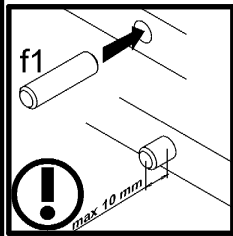
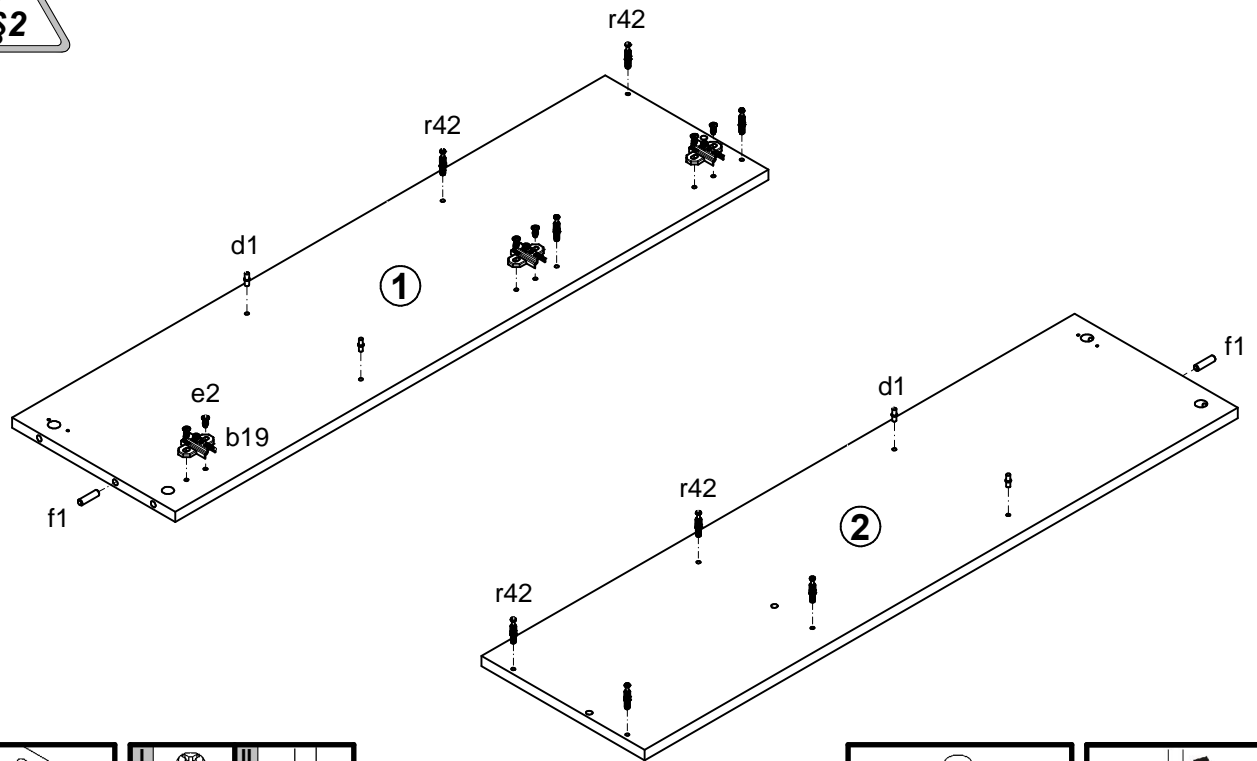


M124-SFW1W

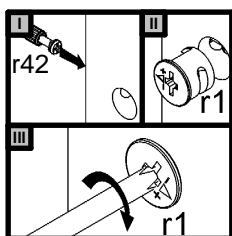
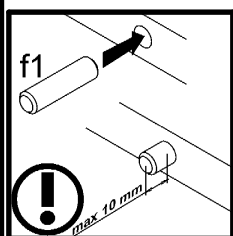
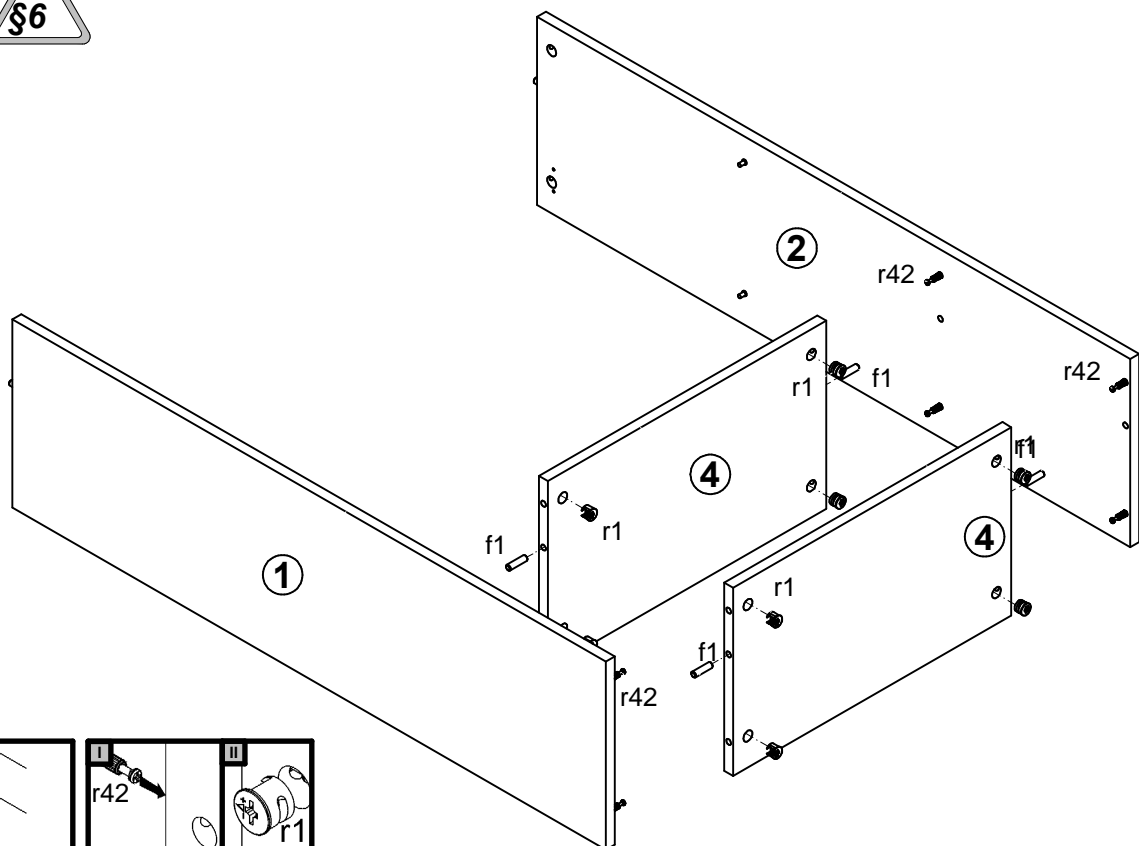
A	B	C		D
1	M124-105	1000	275	3/7
2	M124-106	1000	275	3/7
3	M124-205	500	293	3/7
4	M124-302	469	275	3/7
5	M124-904	1012	494	4/7



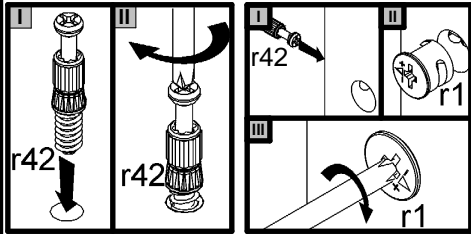
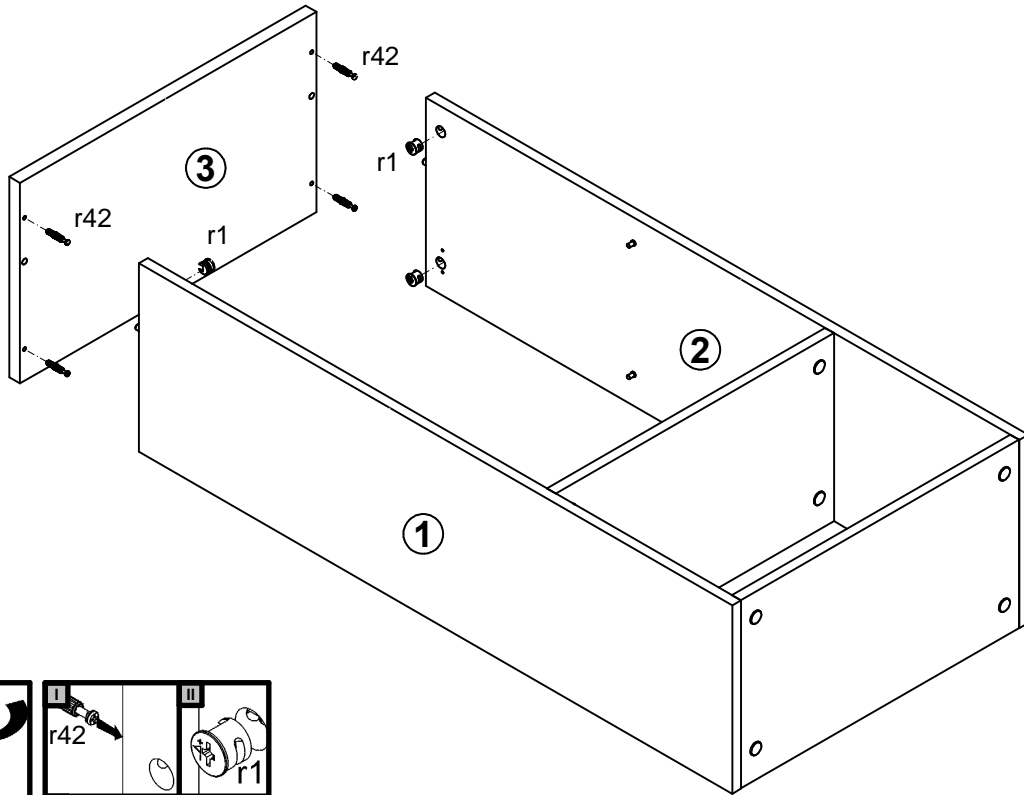
9



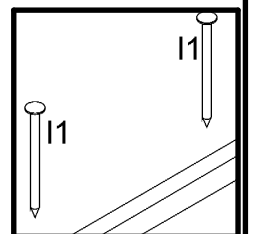
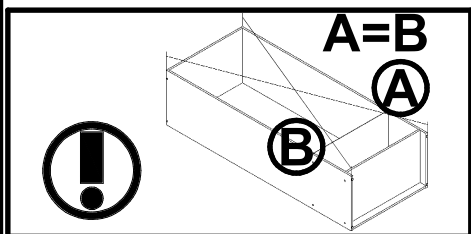
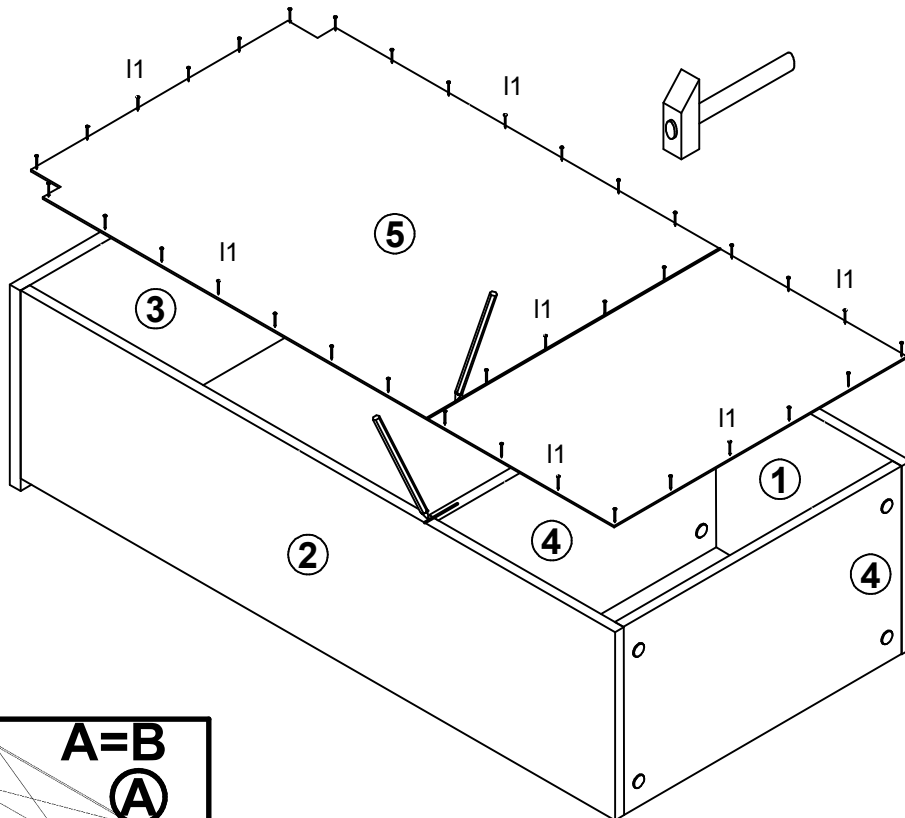
10



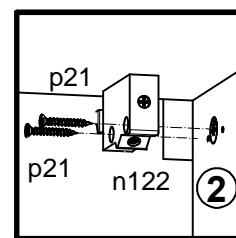
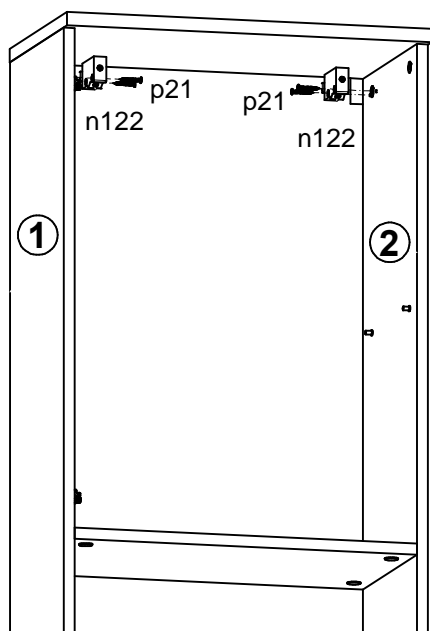
11



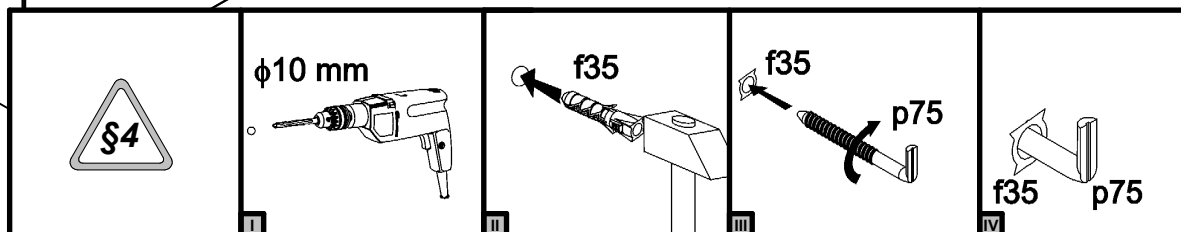
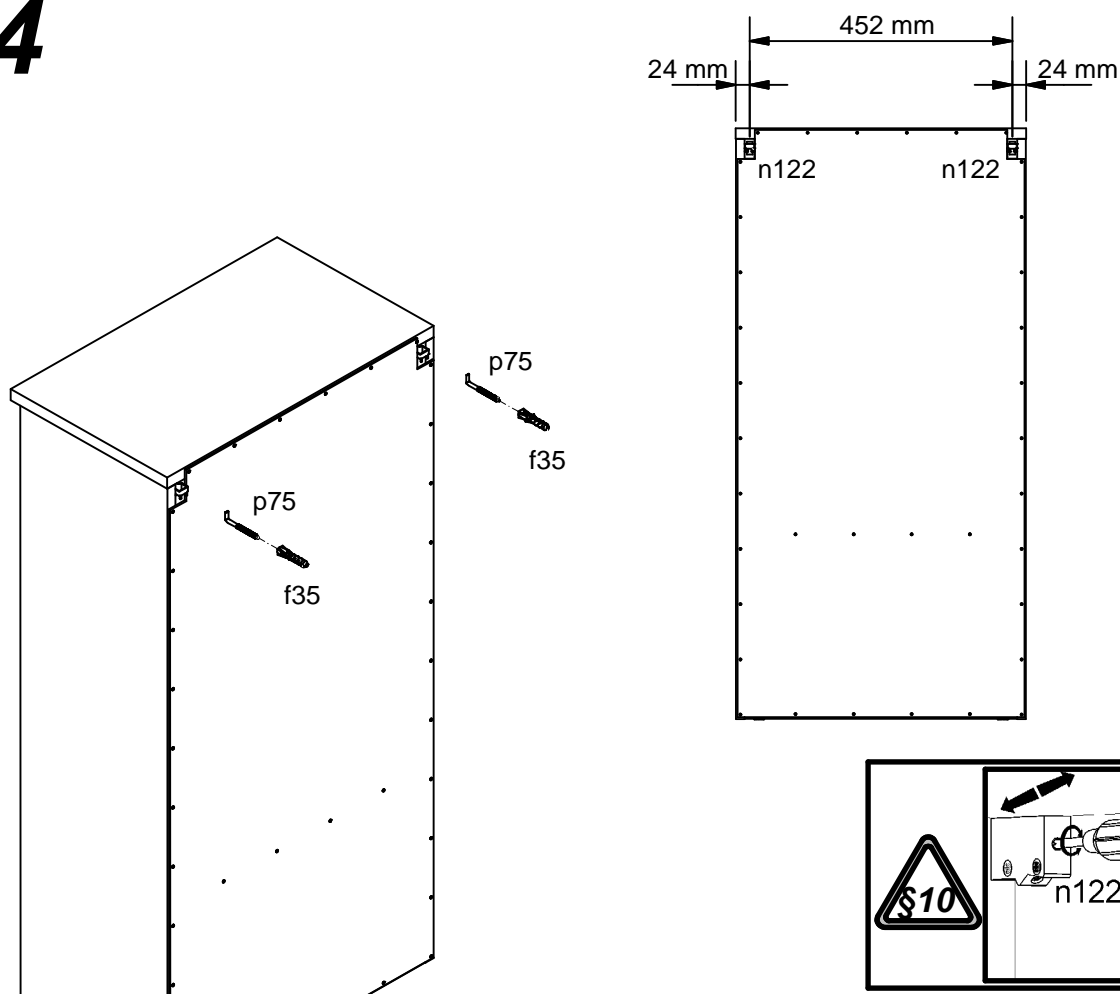
12



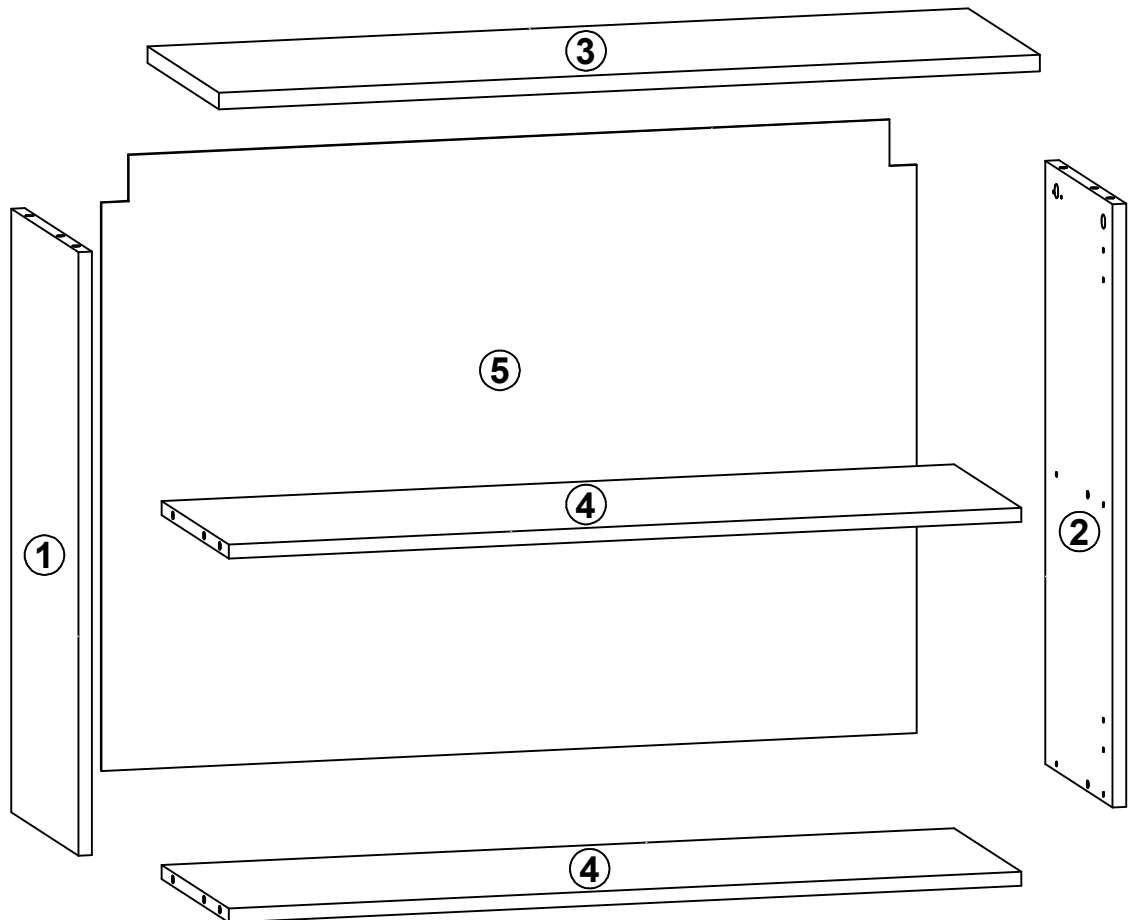
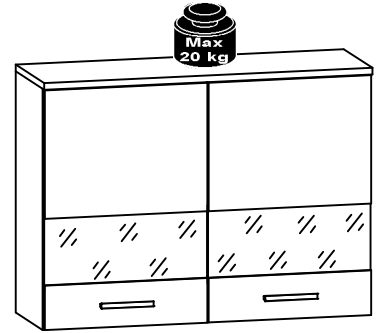
13



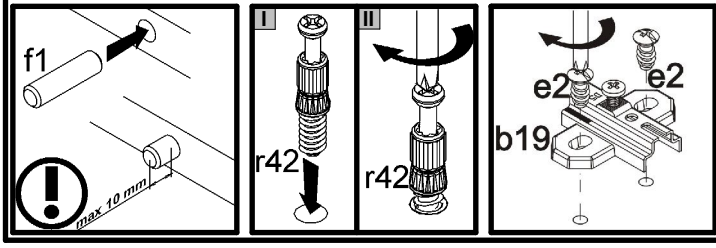
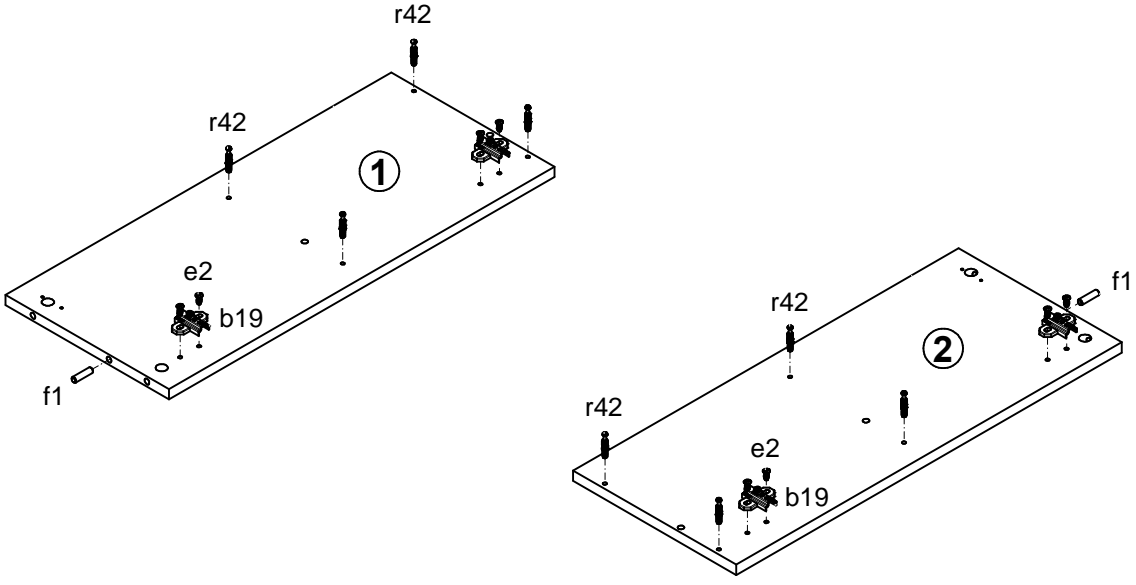
14



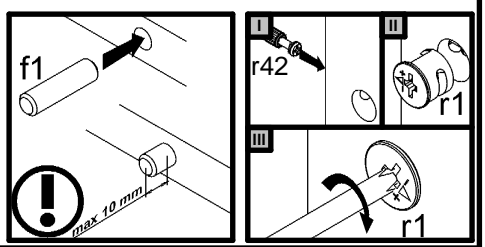
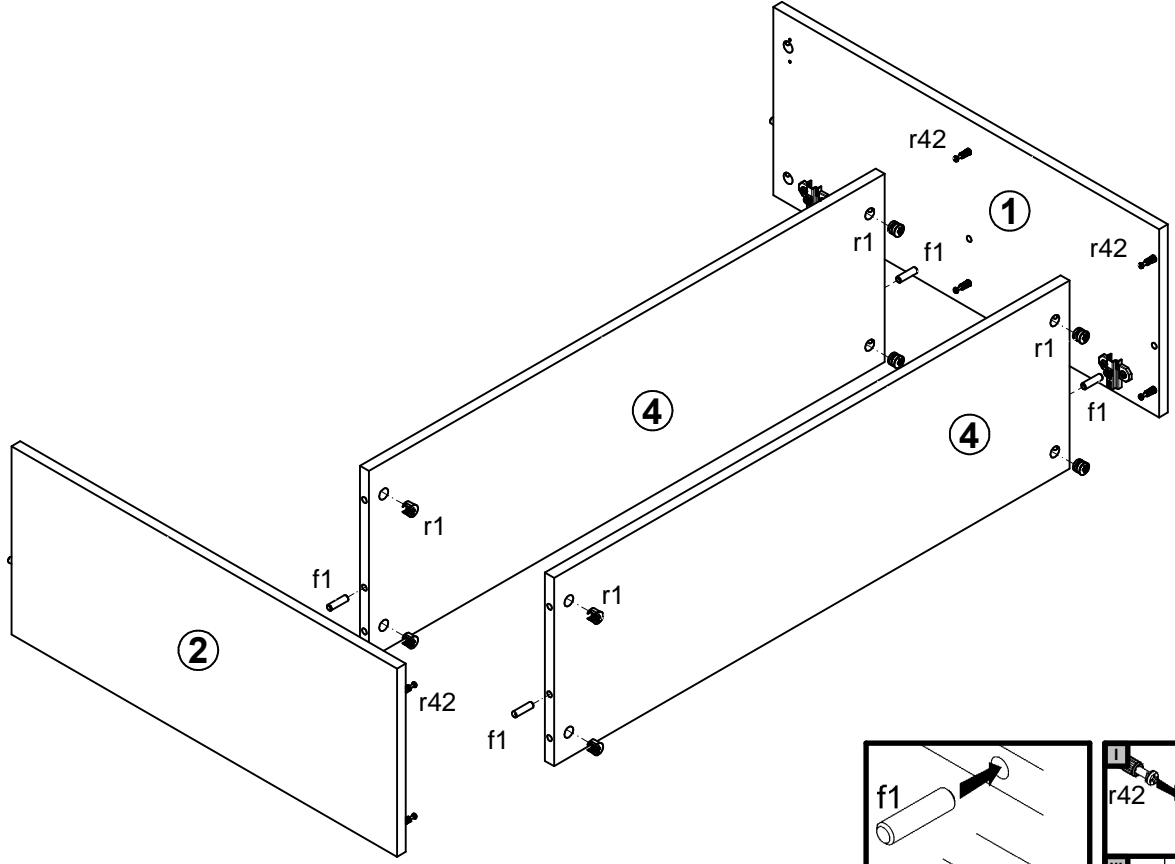
A	B	C	D
1	M124-107	650	275 3/7
2	M124-108	650	275 3/7
3	M124-206	900	293 3/7
4	M124-304	869	275 3/7
5	M124-905	662	894 4/7



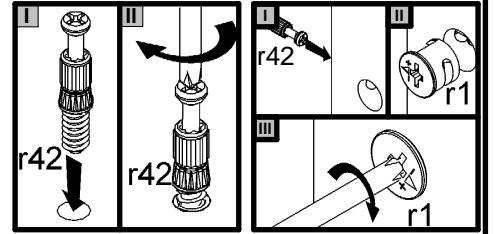
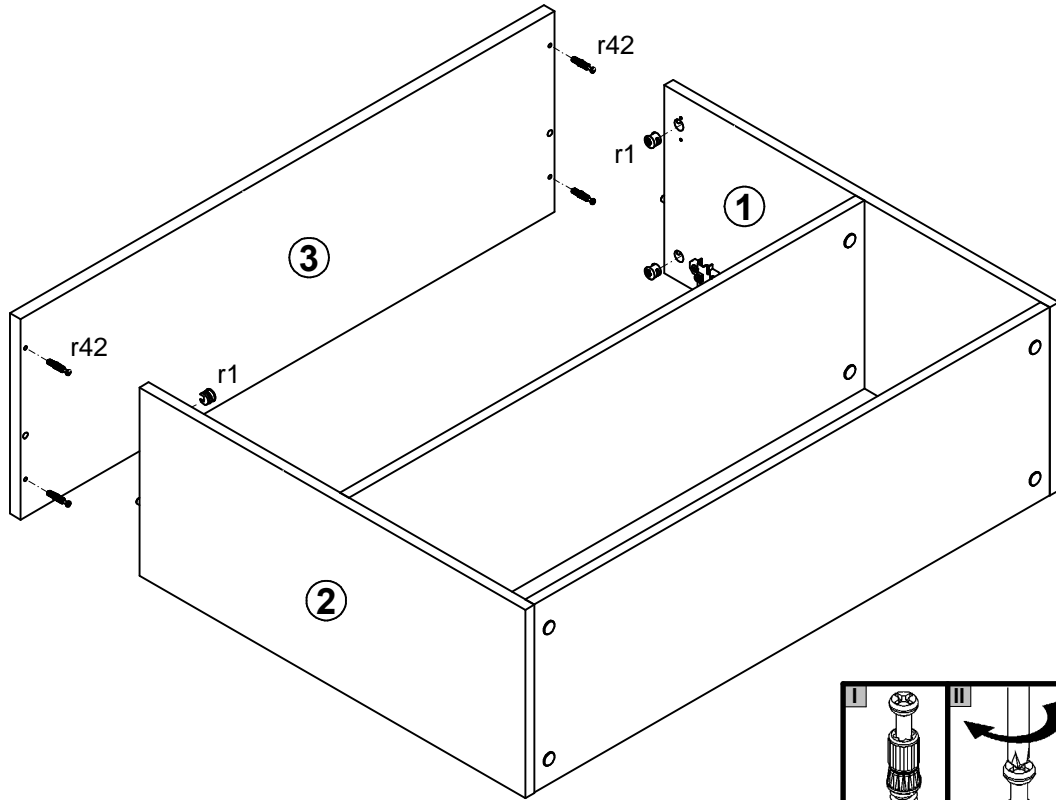
15



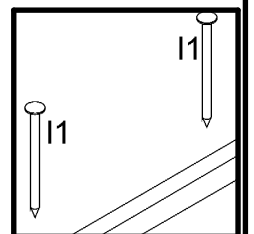
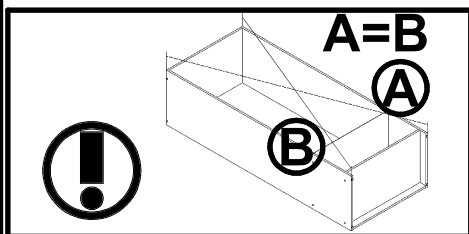
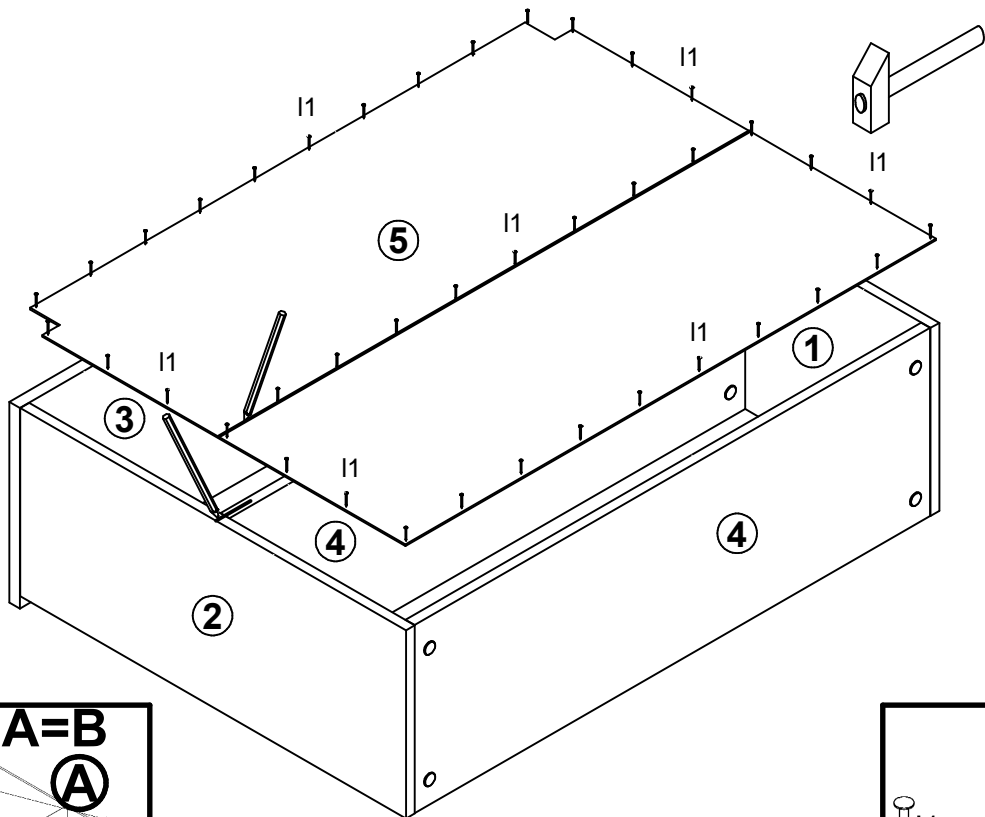
16



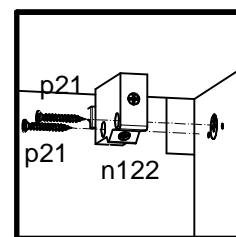
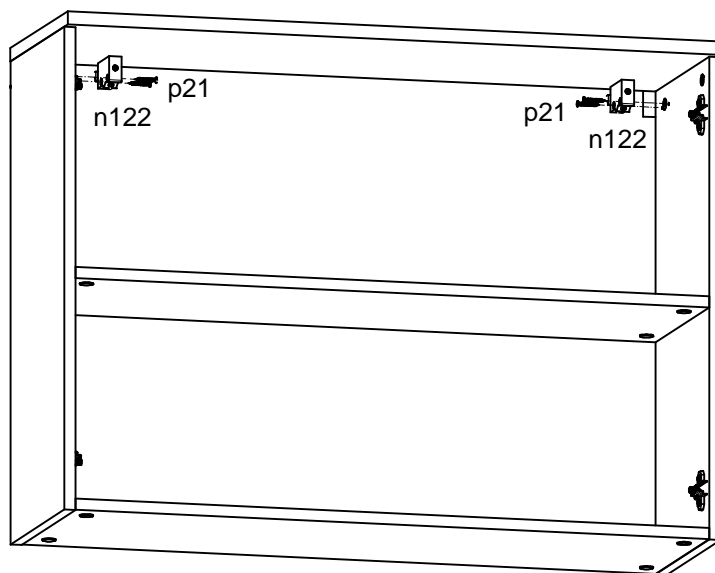
17



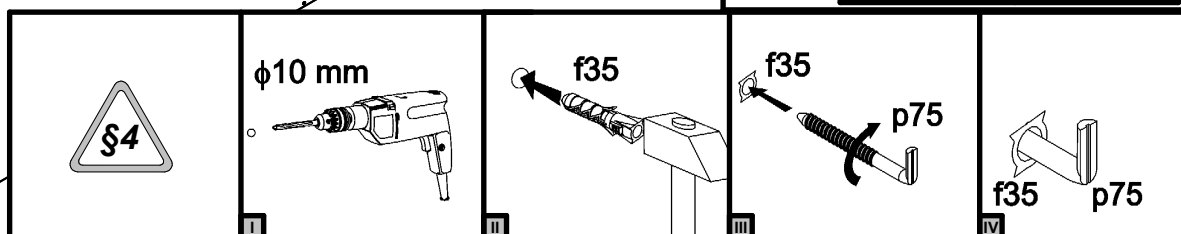
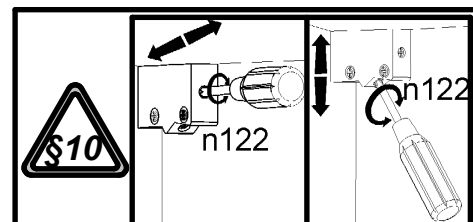
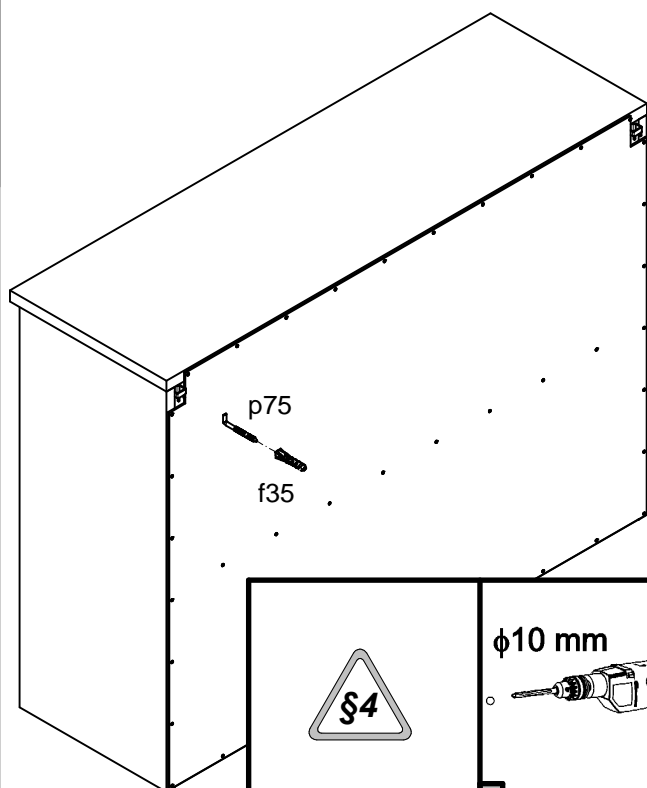
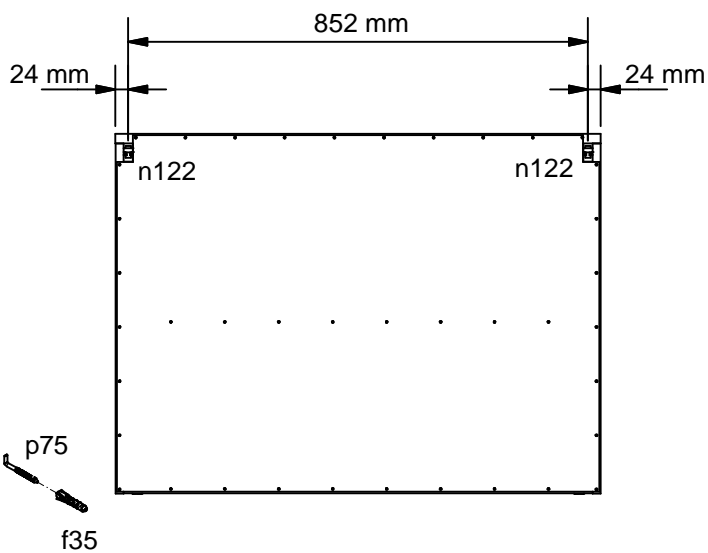
18



19



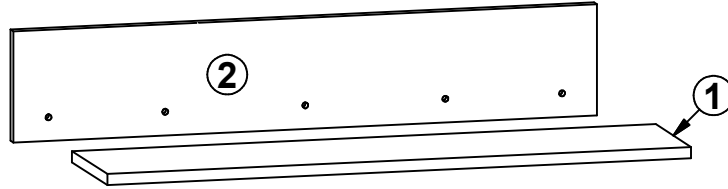
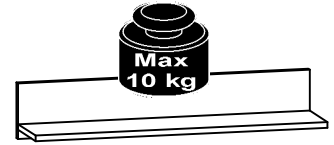
20



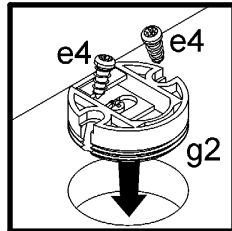
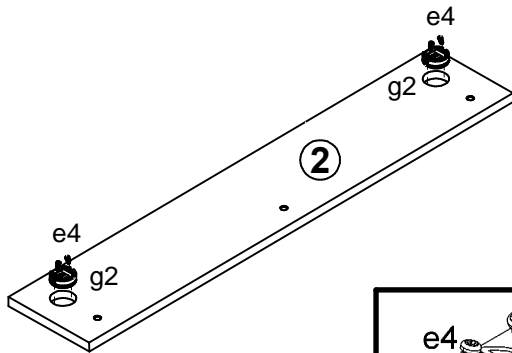


M124-POL/80

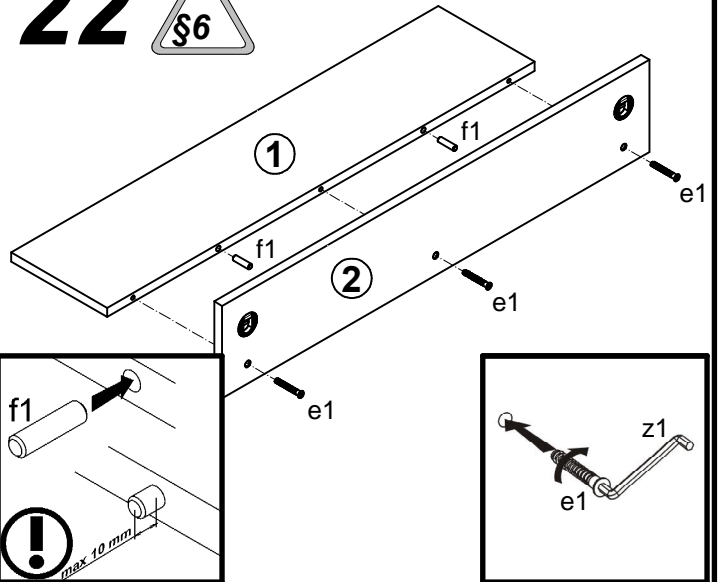
A	B	C	D
1	M124-305	800	180
2	M124-401	800	150



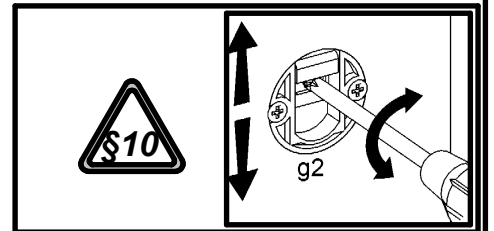
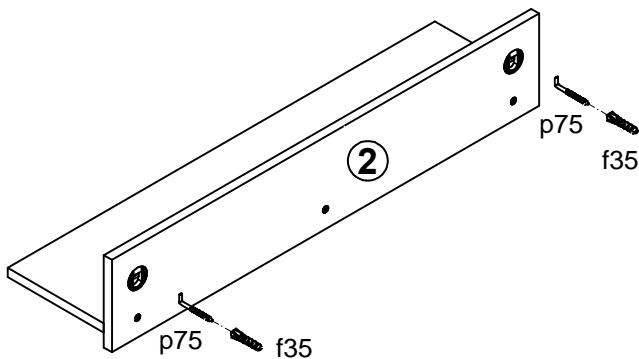
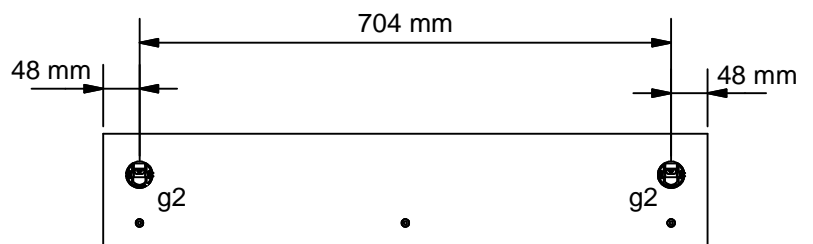
21



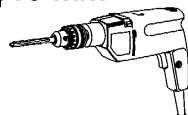
22



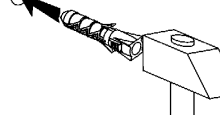
23



φ10 mm



f35

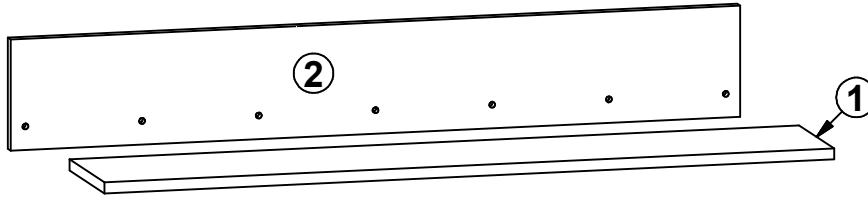


f35

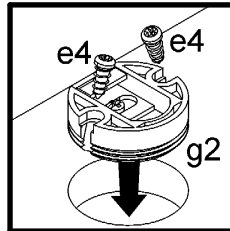
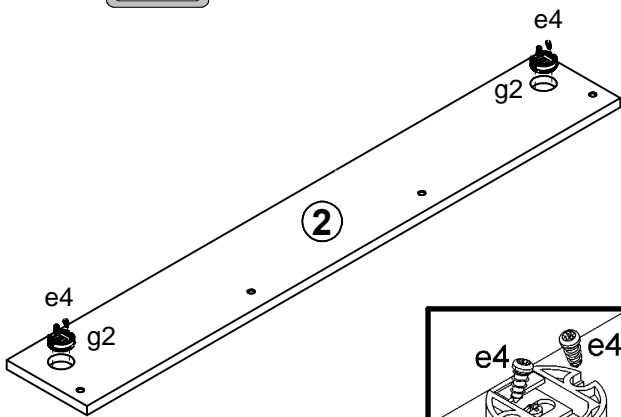


f35 p75

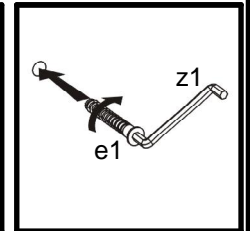
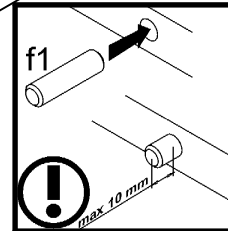
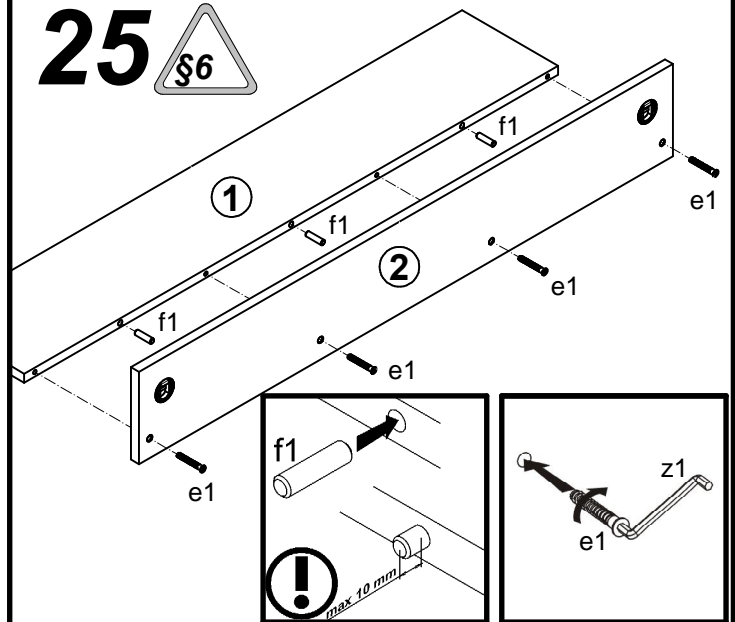
A	B	C	D
1	M124-306	1000	180
2	M124-402	1000	150



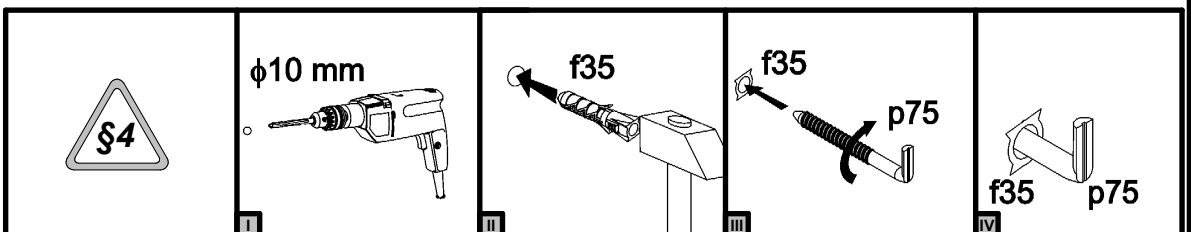
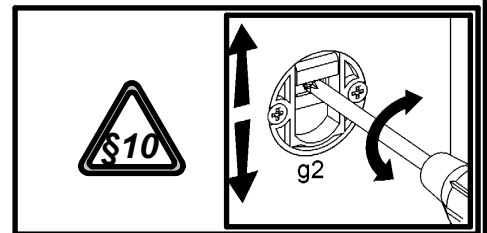
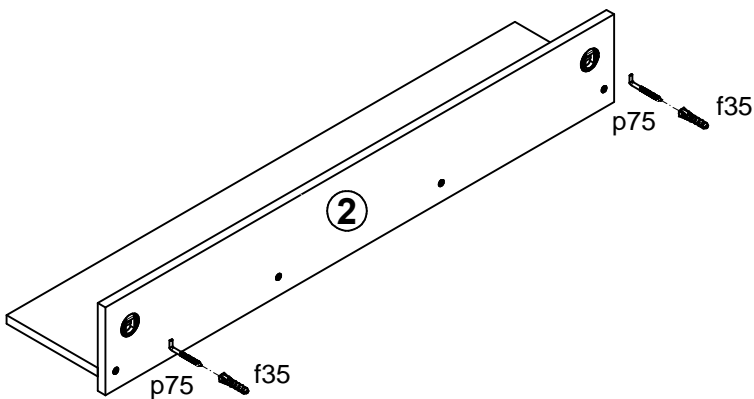
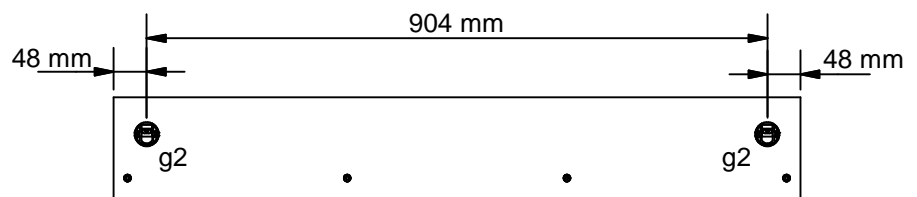
24 §2



25 §6



26



I II III IV V VI

A	B	C	D	
1	M124-001	896	296	6/7
2	M124-003	496	996	6/7
3	M124-004	446	646	7/7
4	M124-005	446	646	7/7
5	M124-303	468	265	3/7

