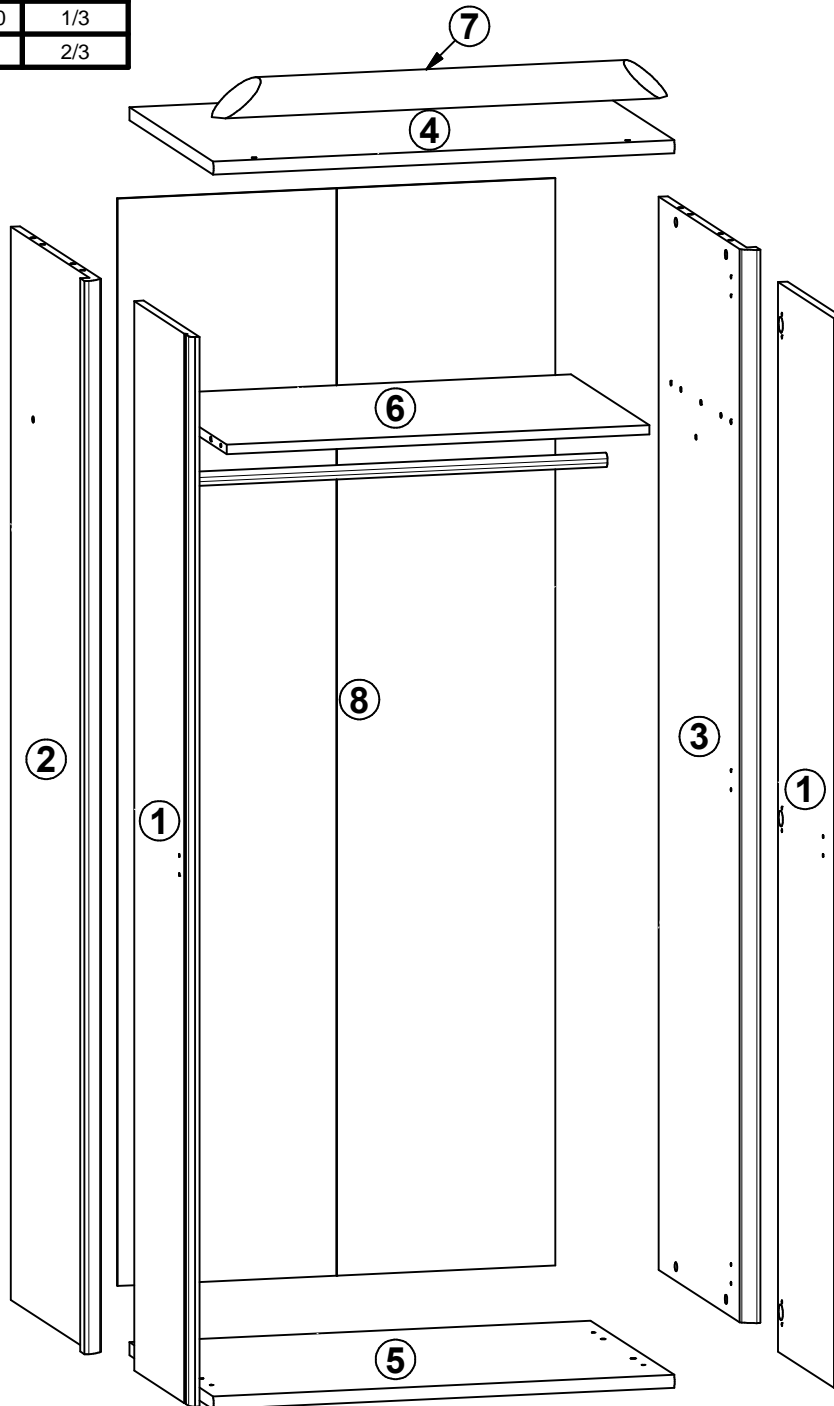
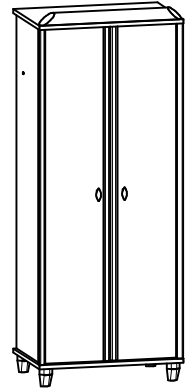


MAŁGOŚKA

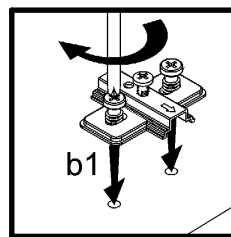
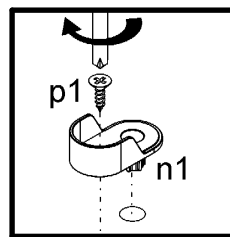
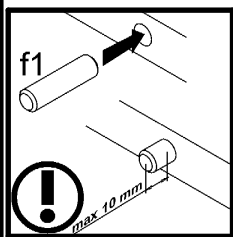
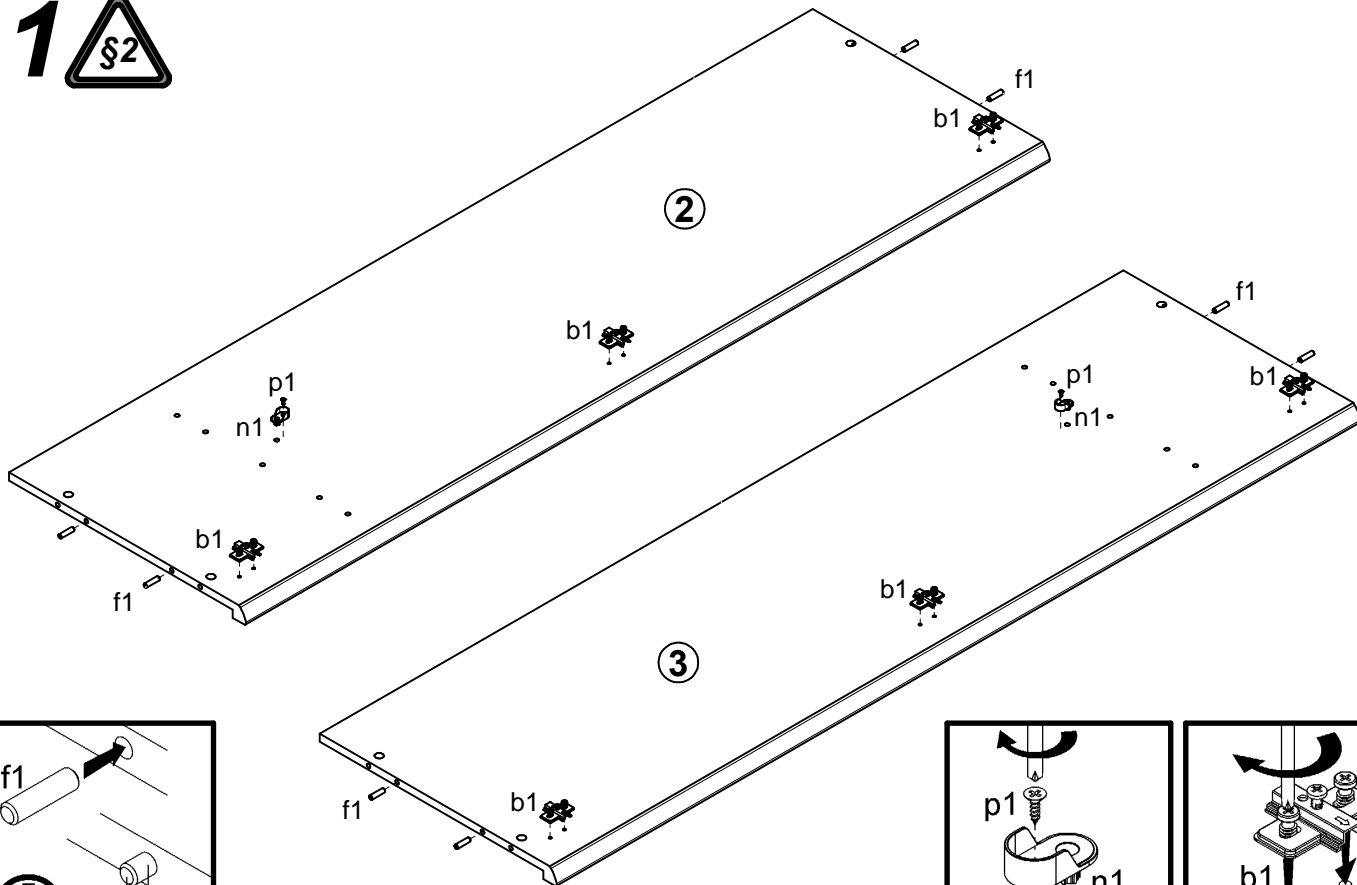
S36-szafa "A" /20/8

A	B	C	D
1	S36-001	1800	358
2	S36-101	1806	533
3	S36-102	1806	533
4	S36-201	790	538
5	S36-202	790	538
6	S36-301	724	500
7	S36-403	780	65
8	S36-901	1830	750
9	dr-717	717	22

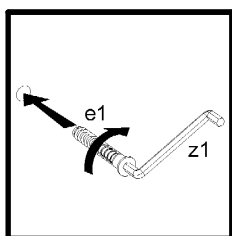
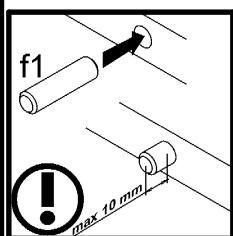
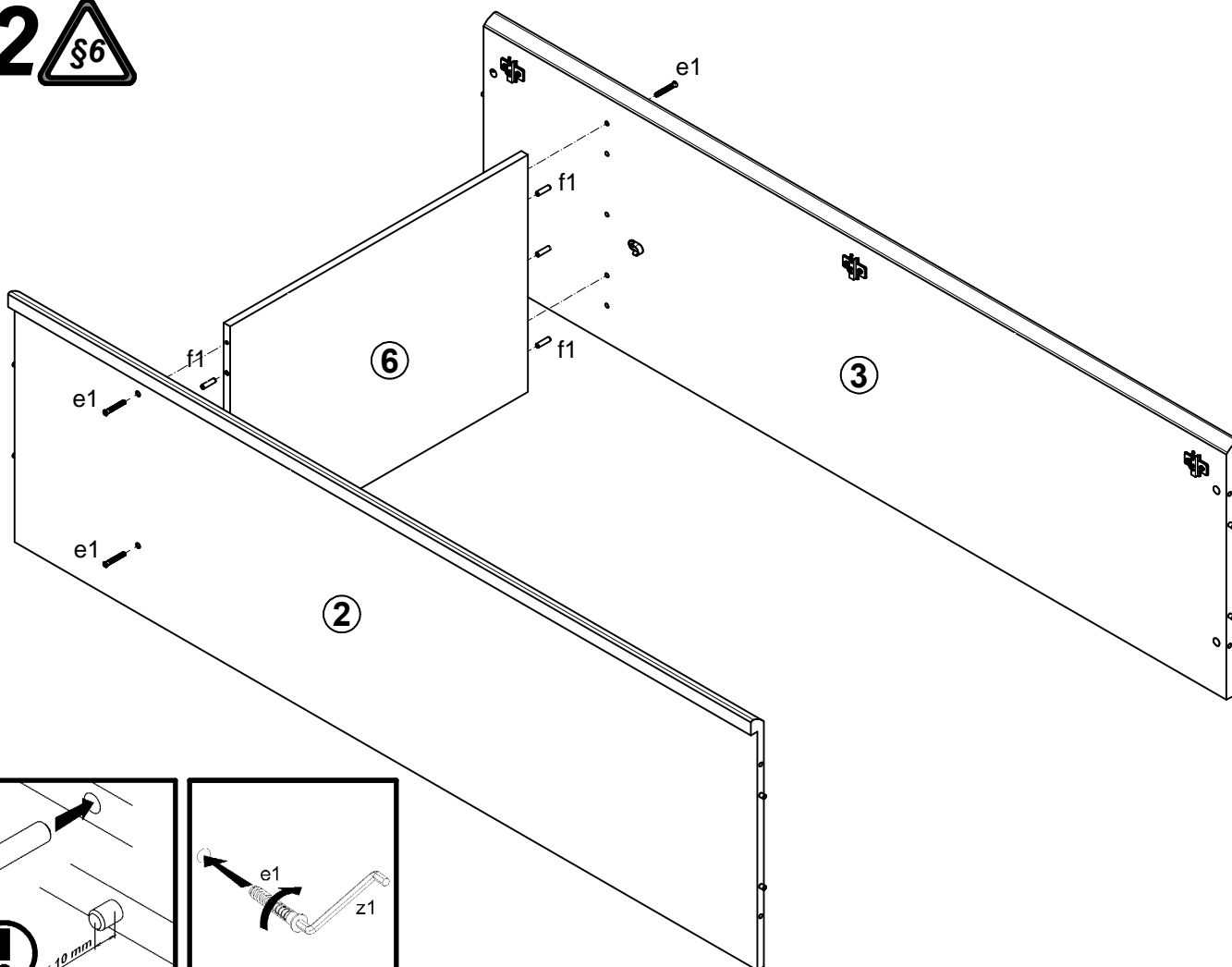


6x a1	6x b1	2x c10/1	4x c10/2	4x e1 φ7x50 mm	16x f1 φ8x30 mm	4x k4/1	4x k4/2	60x l1
2x n1	2x p1 φ3,5x13 mm	8x p20 φ3,5x20 mm	4x p26 φ4x35 mm	8x r1 φ15x12mm #16	8x r16	4x s1	8x s2 ø16	1x z1
1x n26/1	1x p38 φ3,5x16 mm							

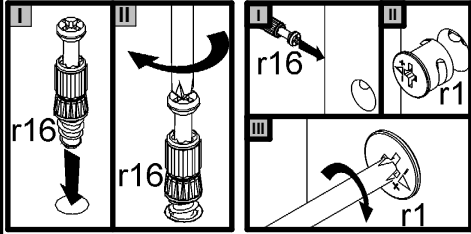
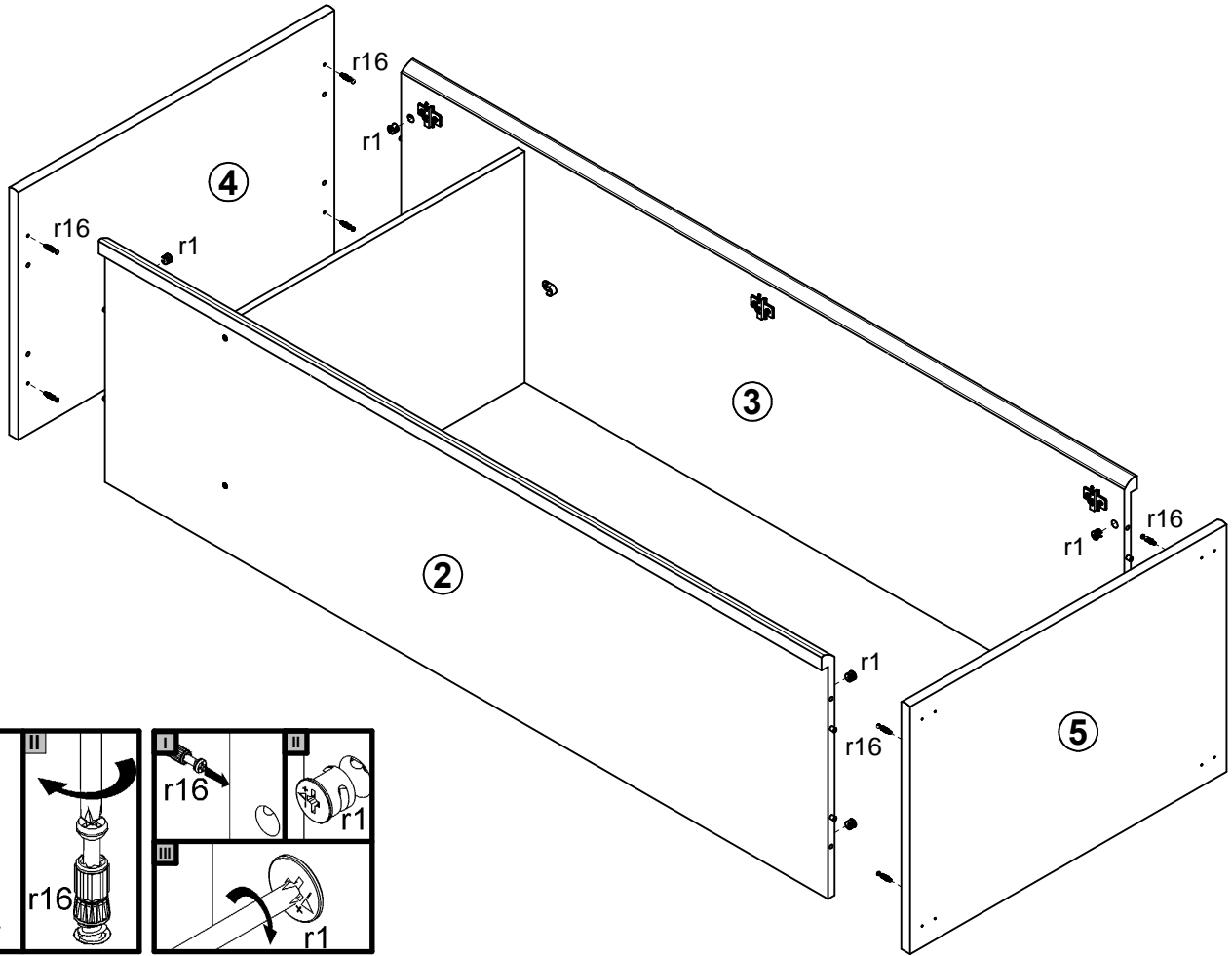
1 



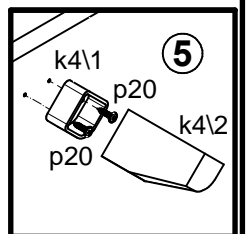
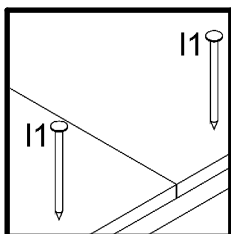
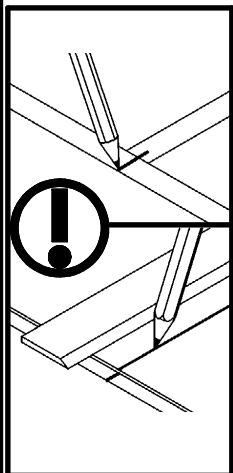
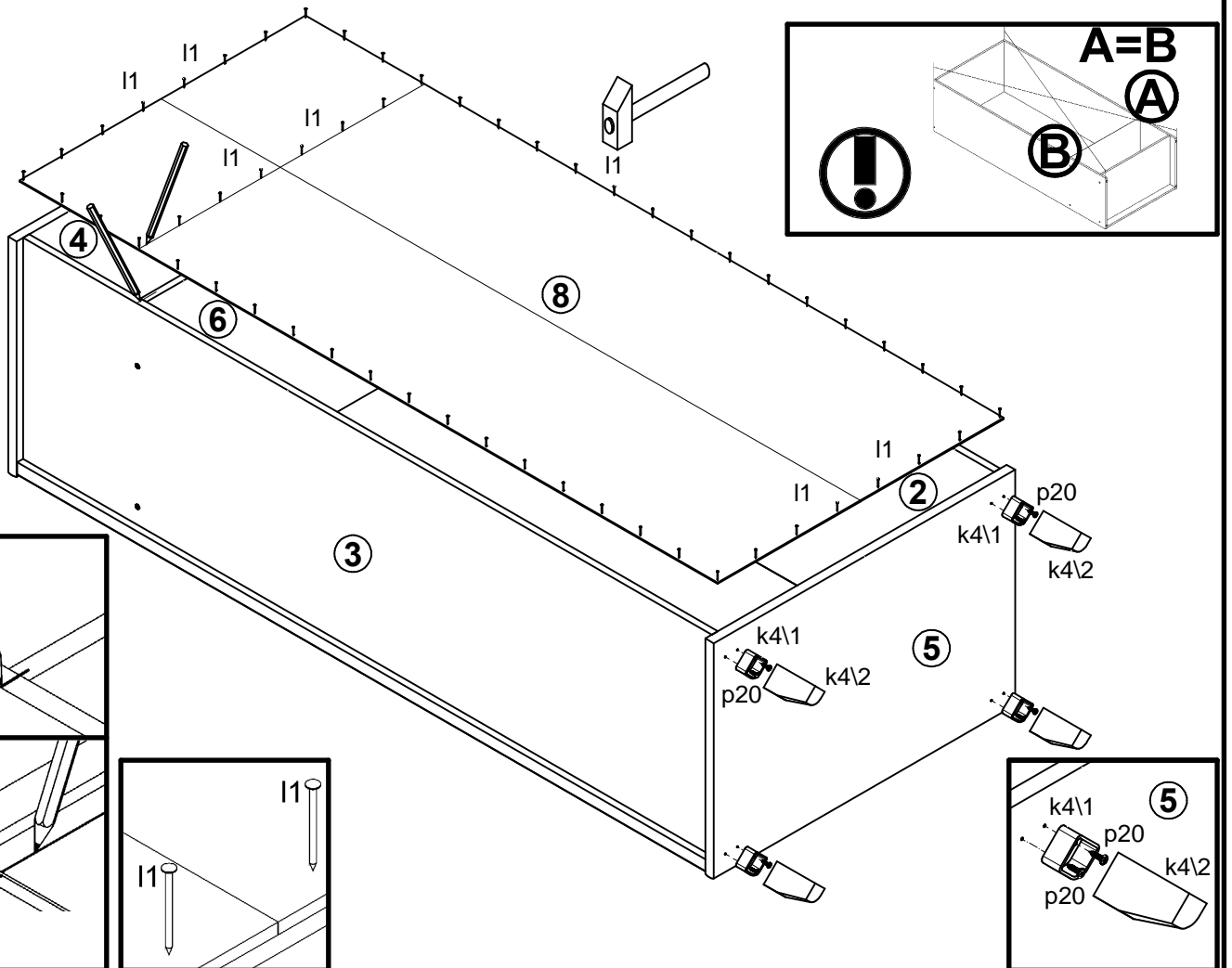
2 



3



4



5

