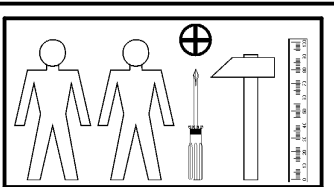
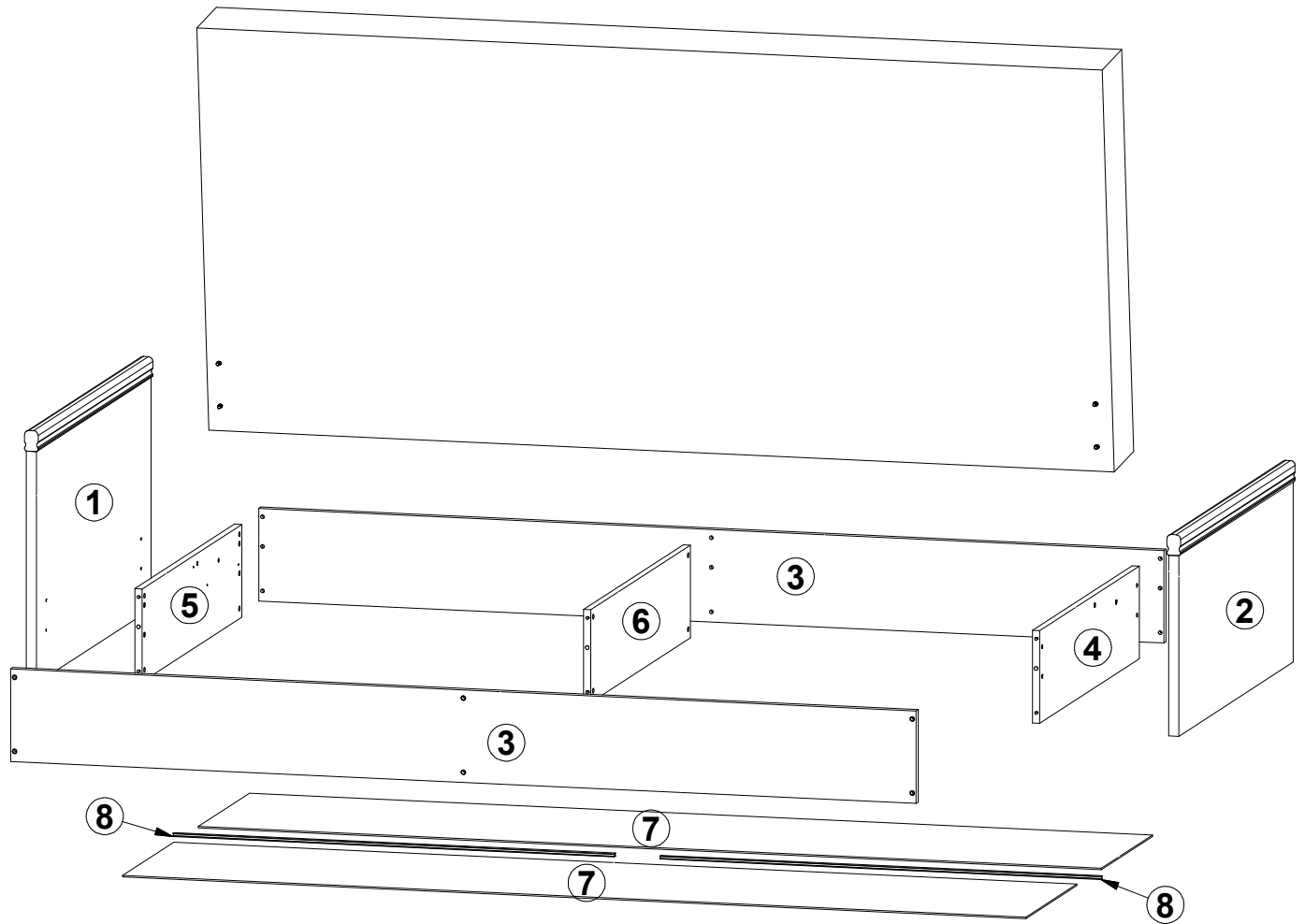
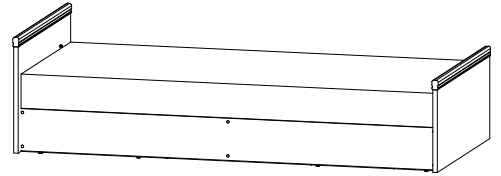


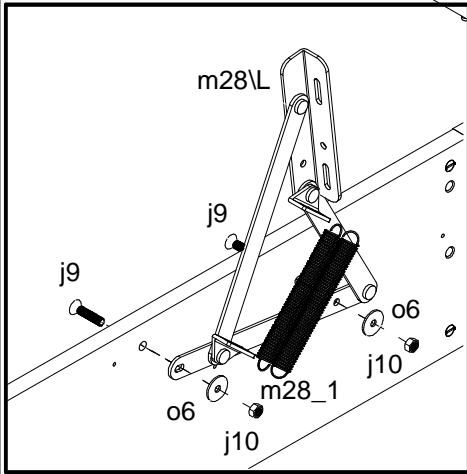
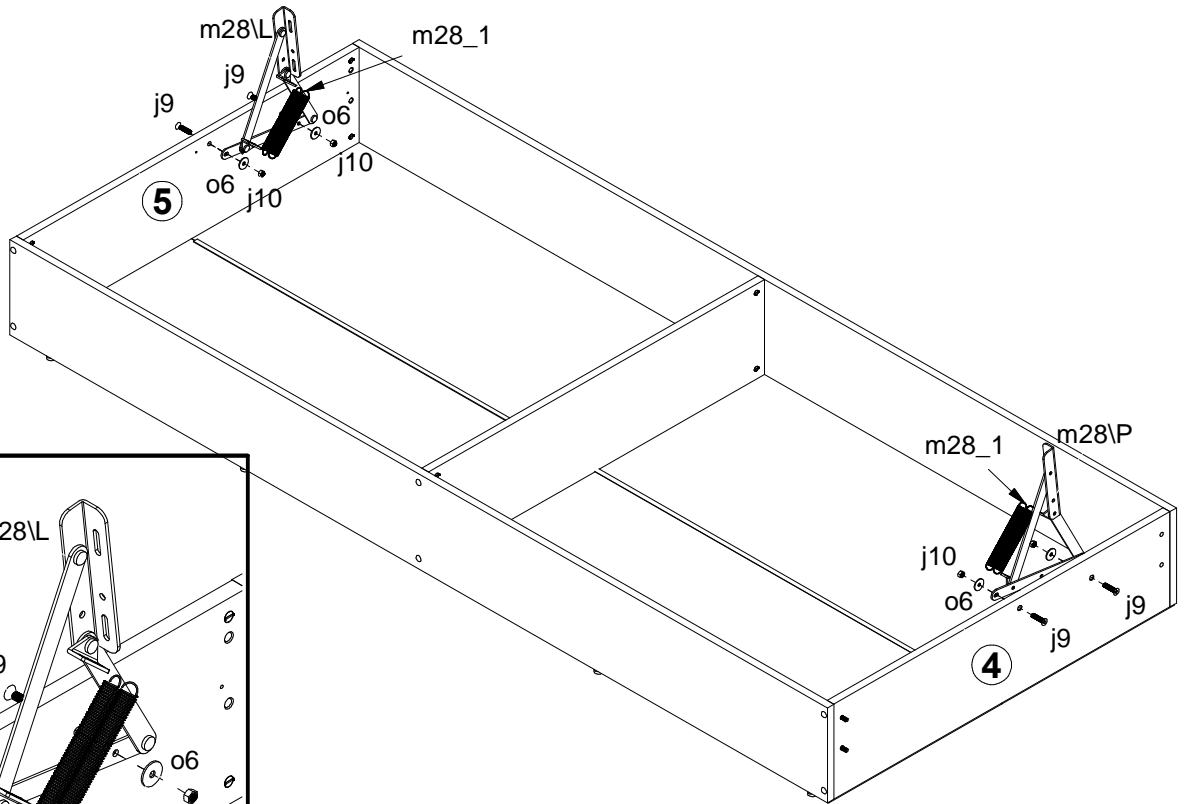
A	B	C		D
1	SK1-057	940	545	1/2
2	SK1-058	940	435	1/2
3	SK1-1143	1990	200	2/2
4	SK1-1145	818	200	2/2
5	SK1-1144	818	200	2/2
6	SK1-482	818	200	2/2
7	SK1-936	1985	420	2/2
8	lh-970	970	12	2/2



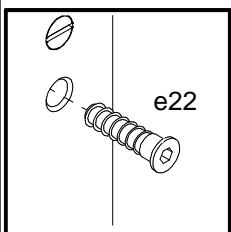
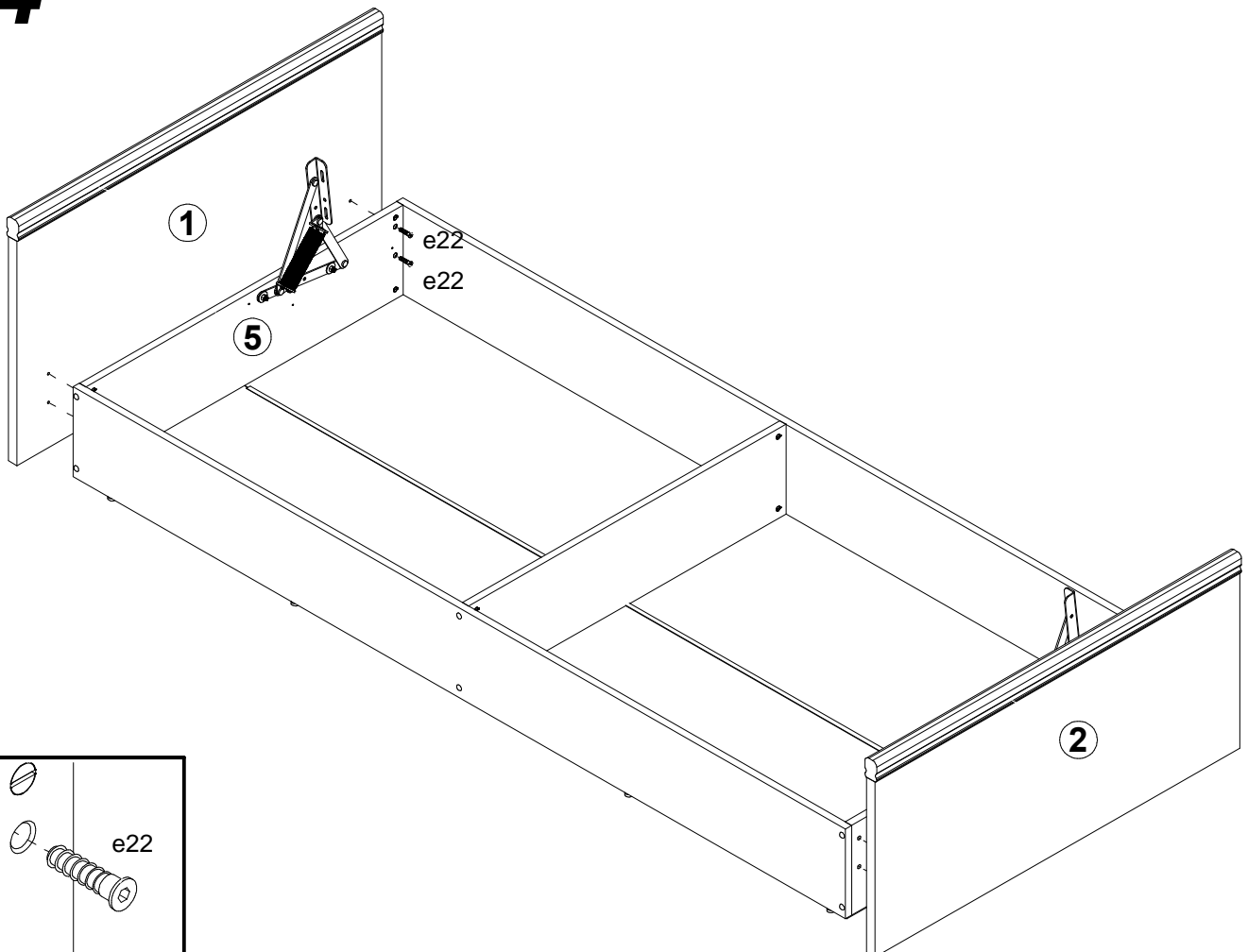
8x φ7x28 mm <b>e22</b>	6x φ8x30 mm <b>f1</b>	4x M6x30 mm <b>j9</b>	8x M6 <b>j10</b>	10x <b>k1</b>	70x <b>l1</b>	4x <b>m28\1</b>	1x <b>m28\L</b>	1x <b>m28\P</b>
8x φ6 mm <b>o6</b>	6x φ3,5x13 mm <b>p1</b>	12x φ10x13 mm <b>r5\1</b>	12x φ6x50 mm <b>r5\2</b>	12x <b>s1</b>	1x 395mm <b>s7\L</b>	1x 395mm <b>s7\L<sup>P</sup></b>	1x <b>z1</b>	



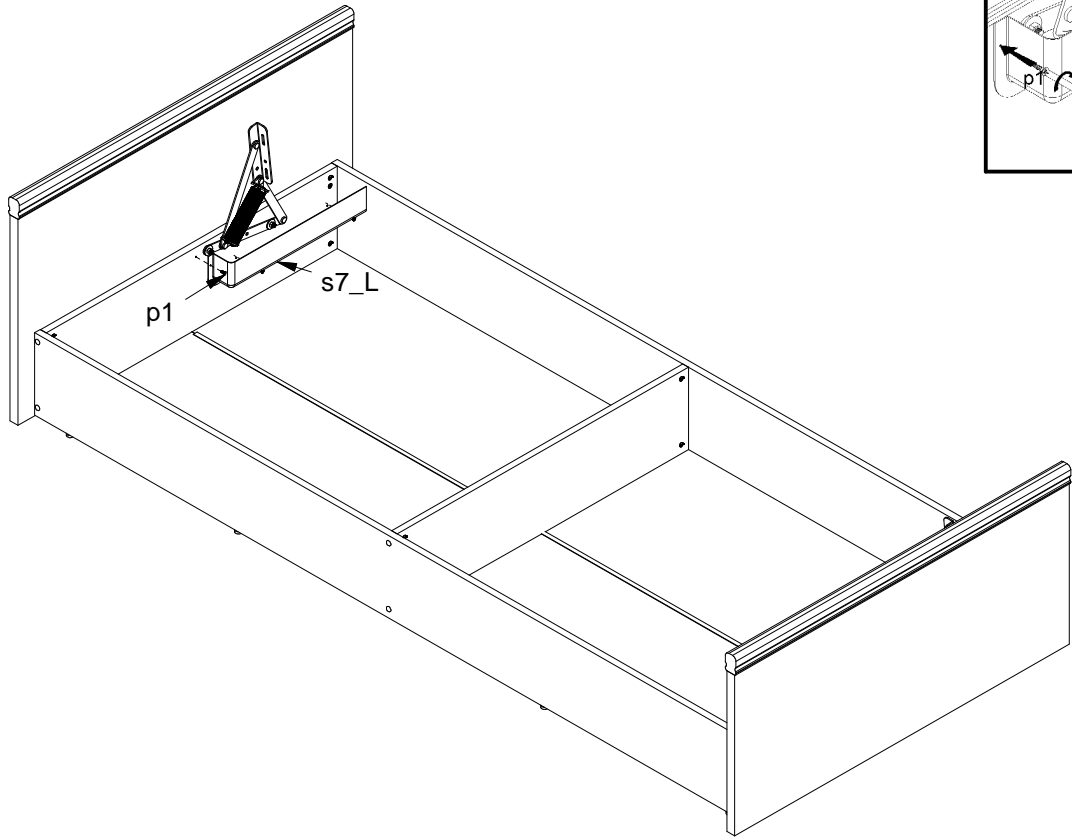
# 3



# 4



# 5



# 6

