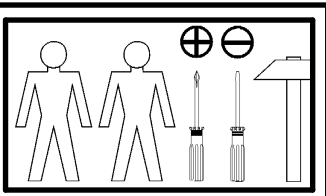
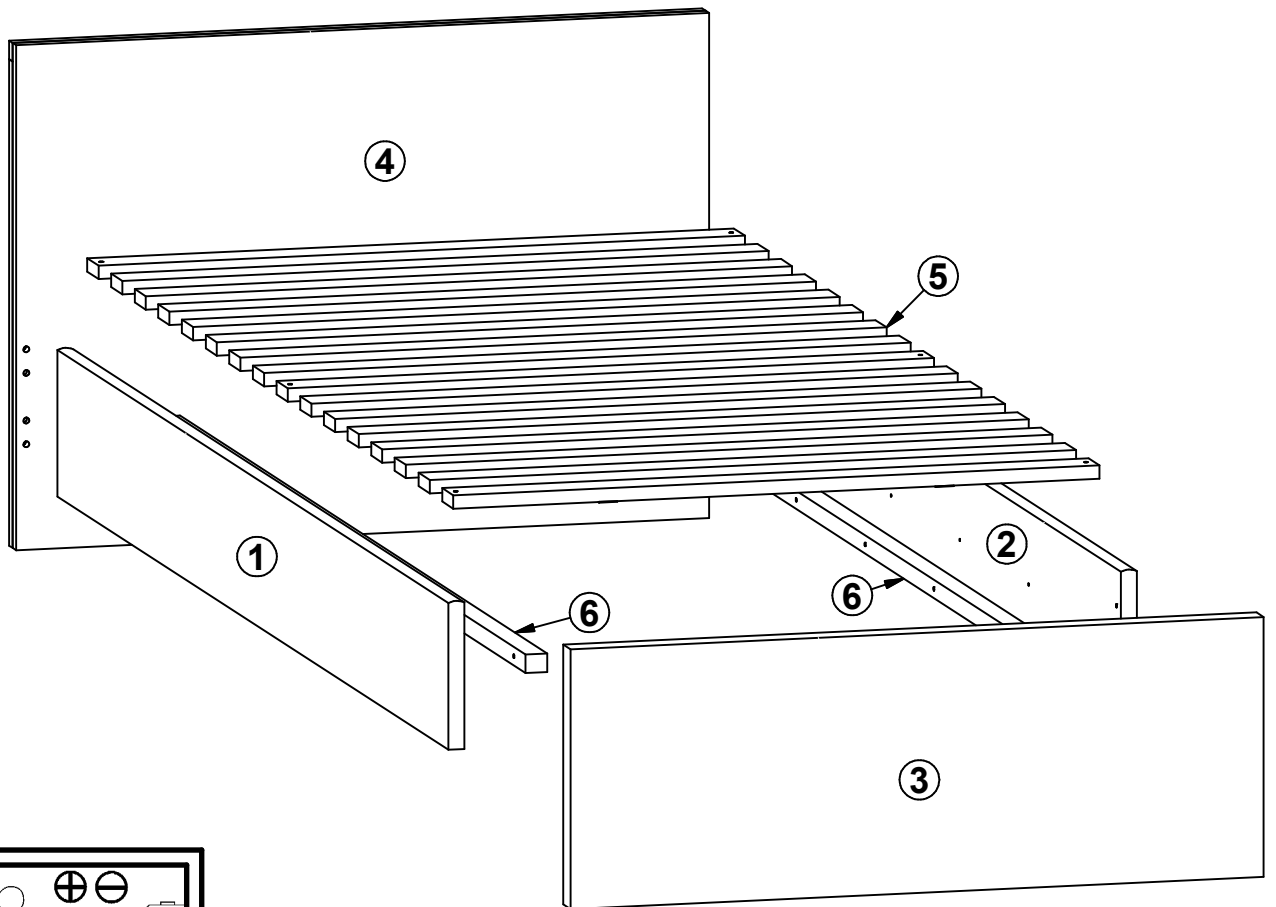
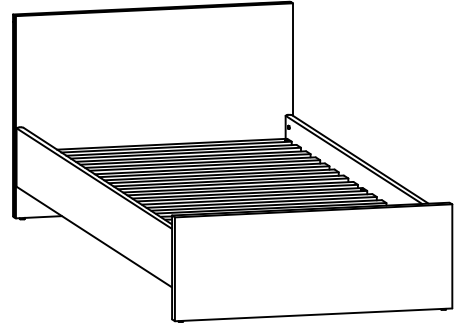


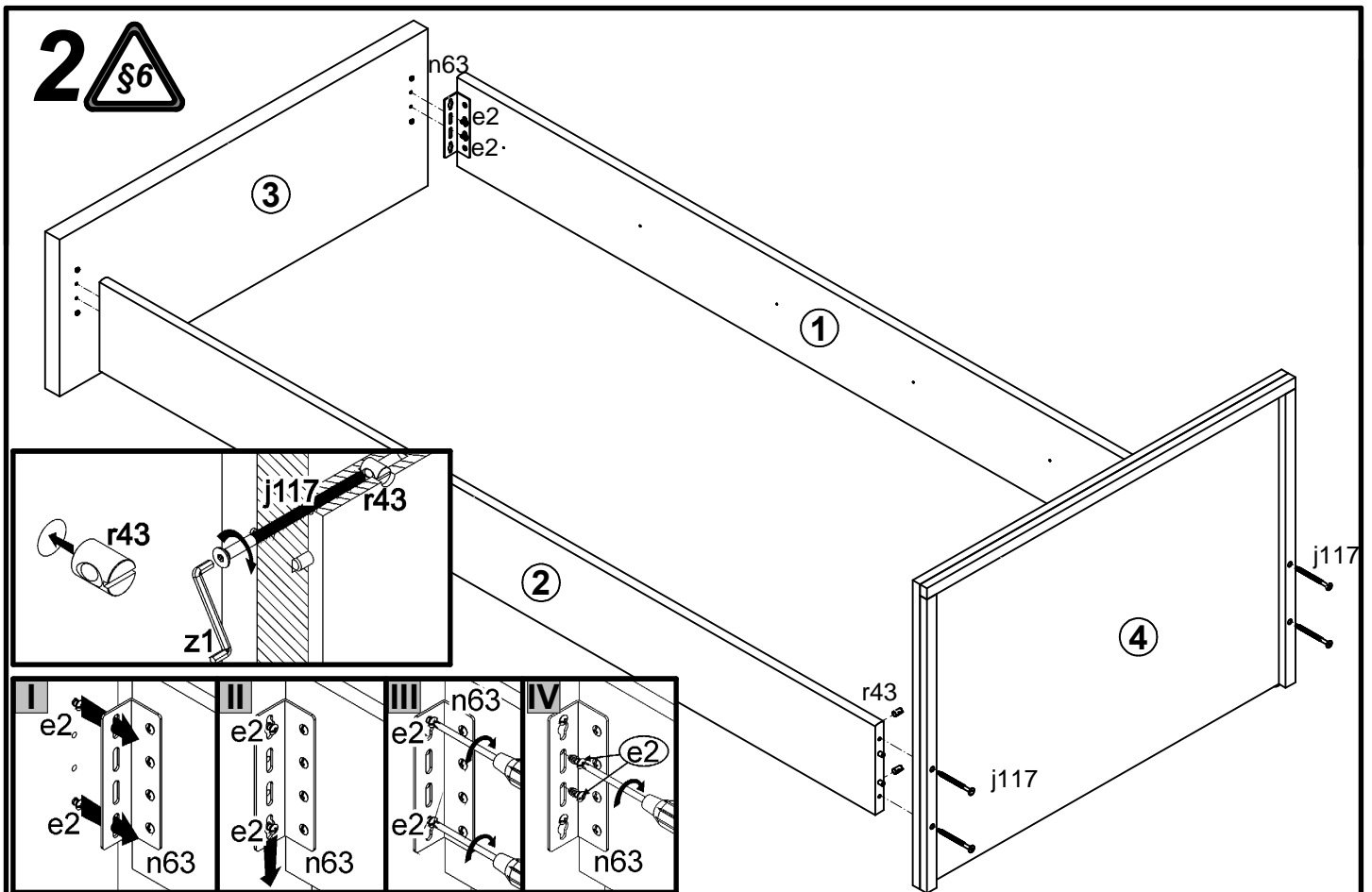
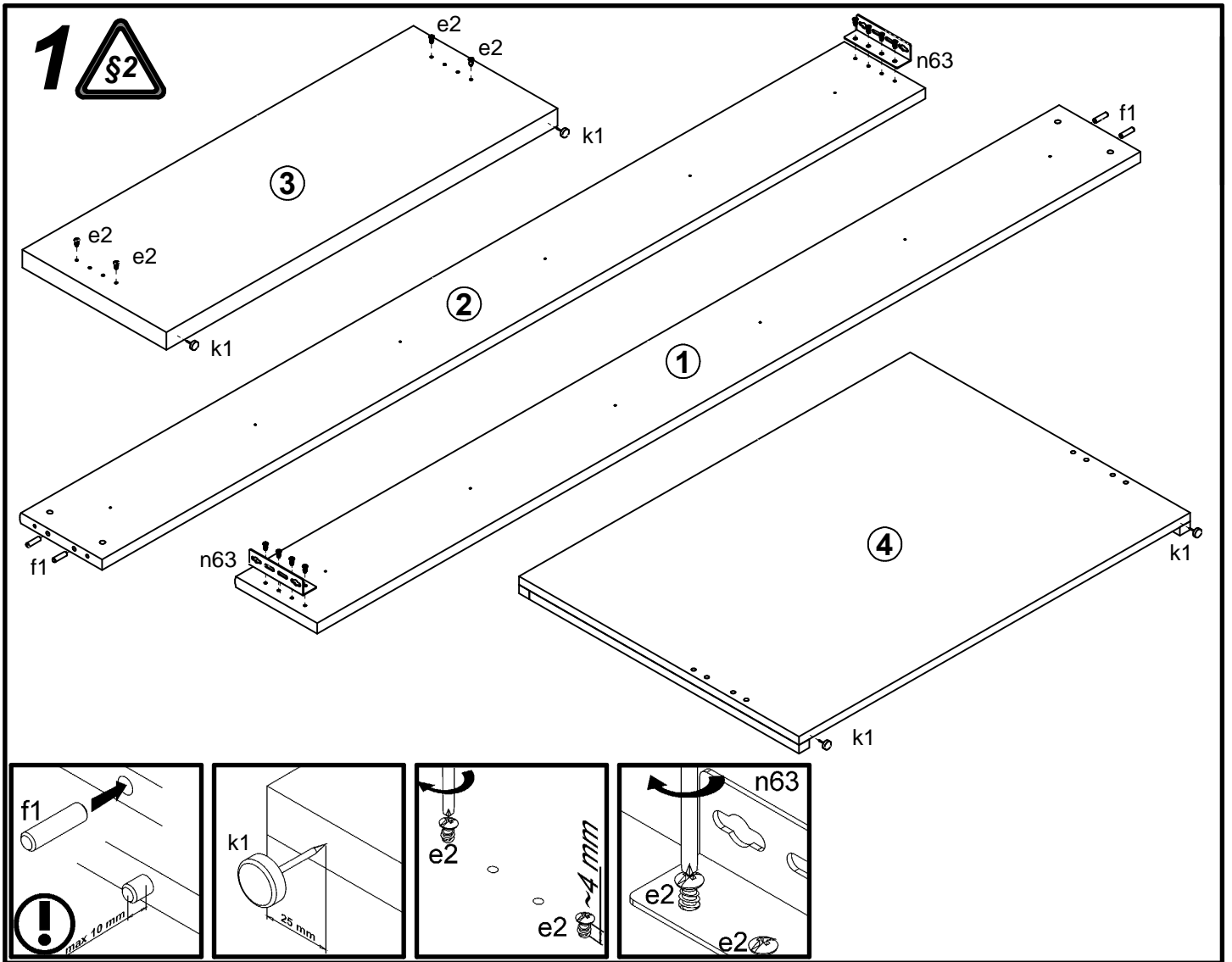
# SETI

## S135-LOZ/90

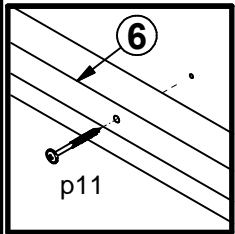
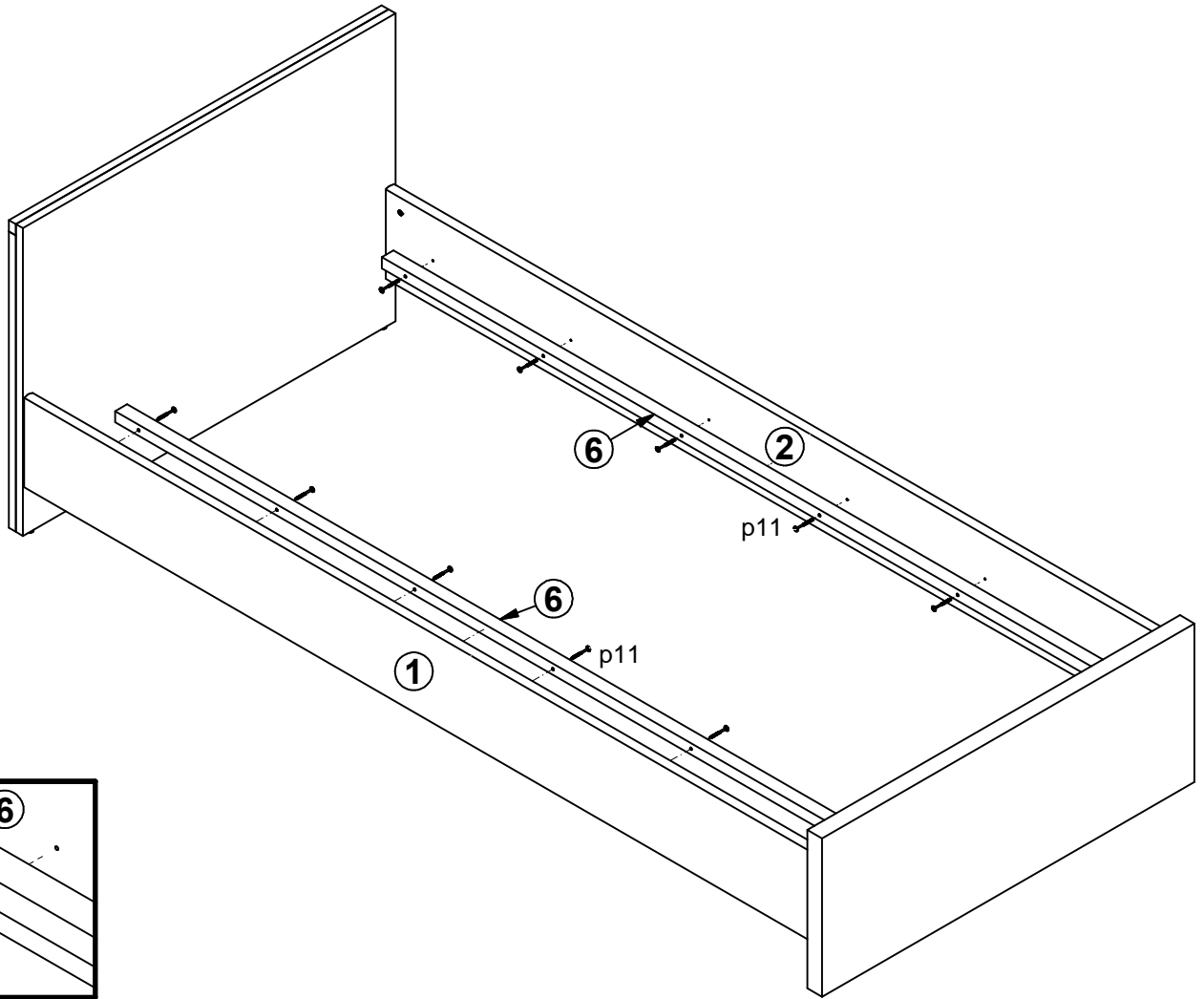
A	B	C	D	
1	S135-126	2000	200	3/3
2	S135-127	2000	200	3/3
3	S135-409	950	350	1/3
4	S135-410	950	680	2/3
5	ZZ1-504	1872	886	1/1
6	ZZ1-720	1880	25	3/3



16x  φ6,3x13 mm <b>e2</b>	4x  φ8x30 mm <b>f1</b>	4x  M6x84 mm <b>j117</b>	4x  <b>k1</b>	2x  130x34x34,2mm <b>n63</b>	12x  φ4x45 mm <b>p11</b>	6x  φ4x35 mm <b>p6</b>	4x  φ10x16mm <b>r43</b>	1x  <b>z1</b>
------------------------------------	---------------------------------	-----------------------------------	---------------------	---------------------------------------	-----------------------------------	---------------------------------	----------------------------------	---------------------



# 3



# 4

