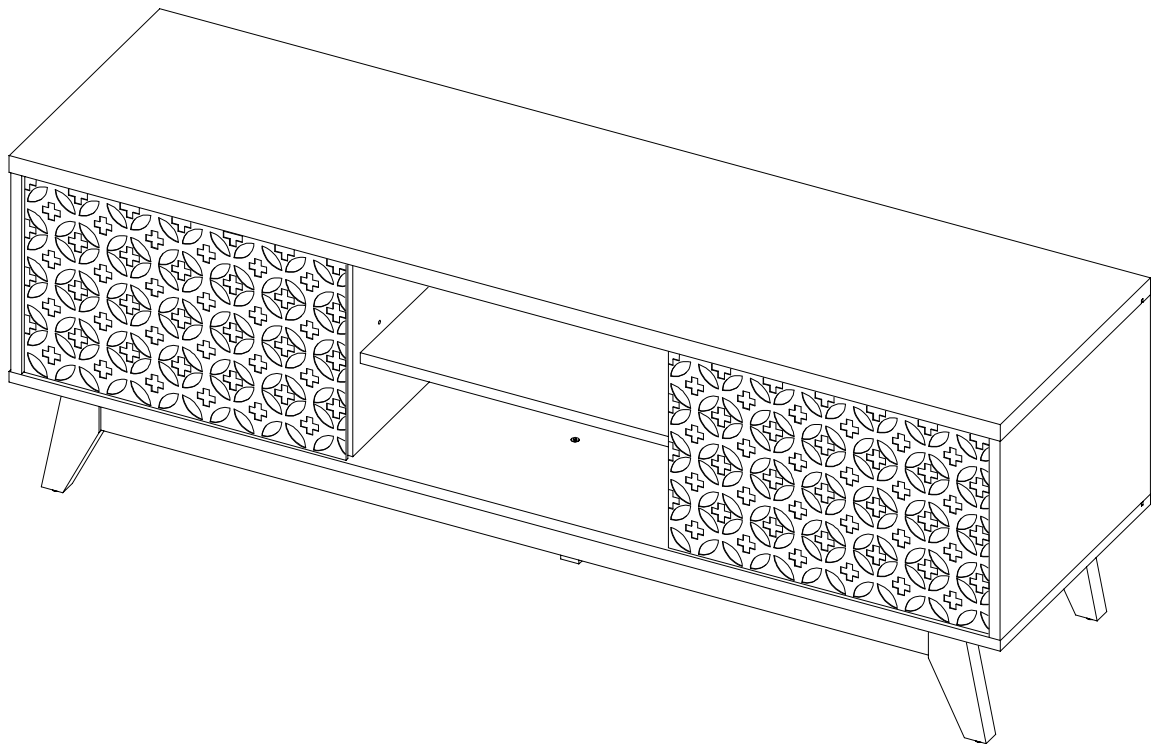
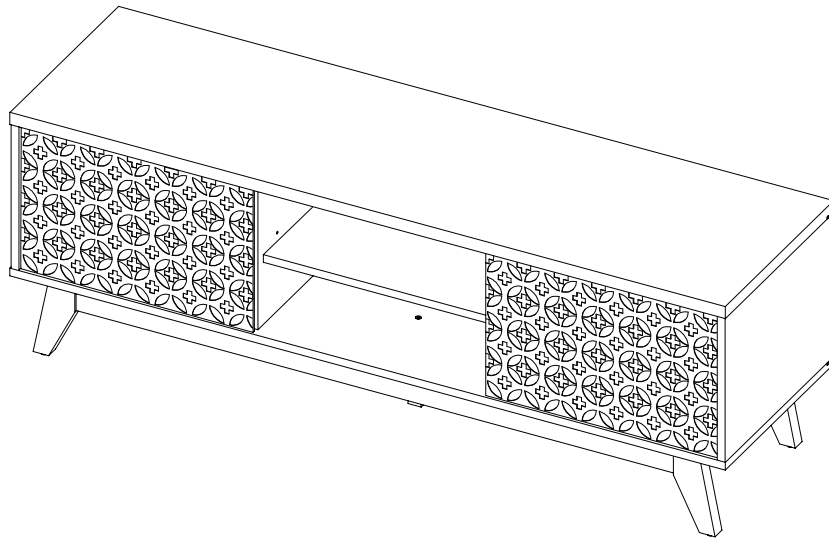


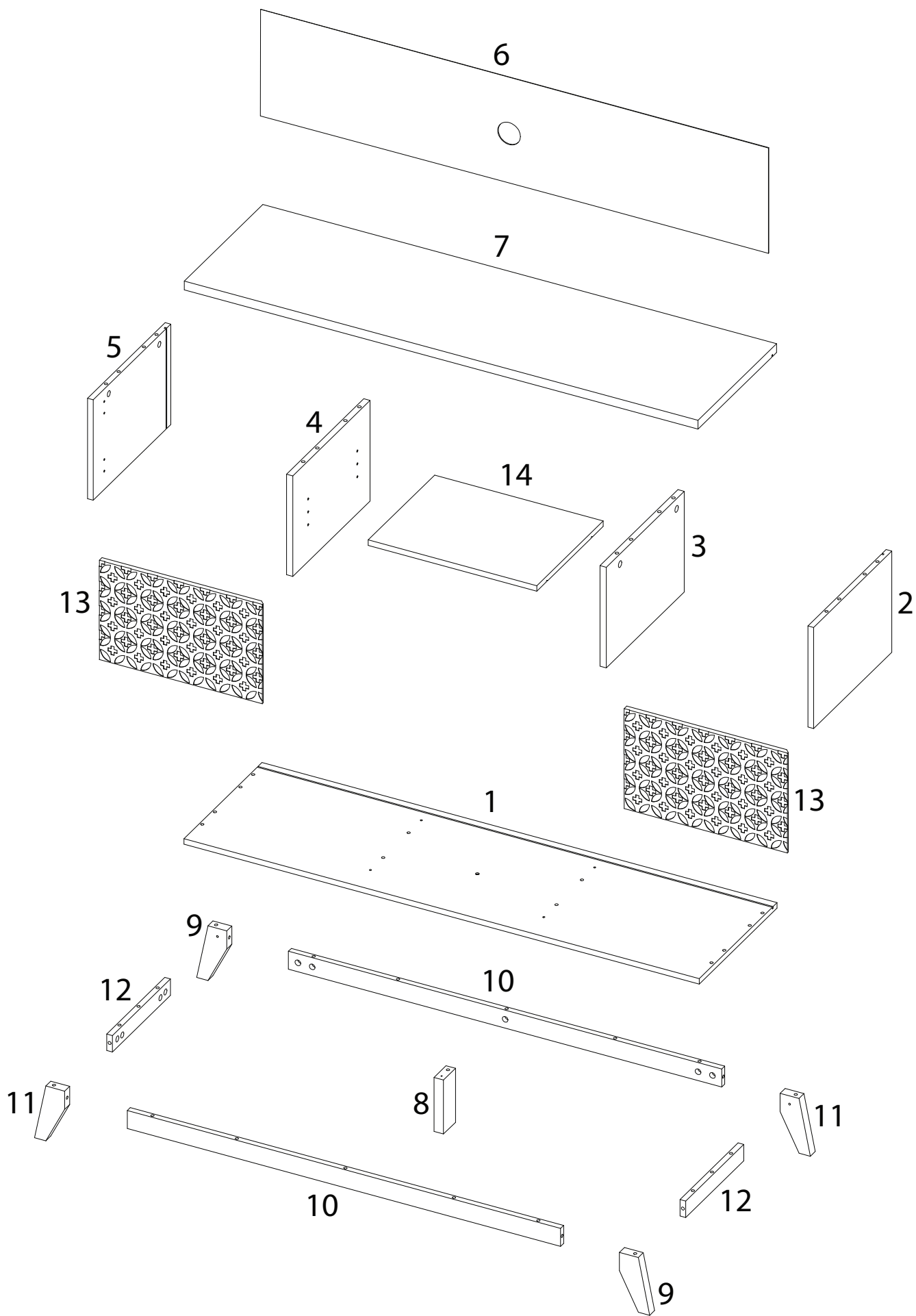
# PRESCOT



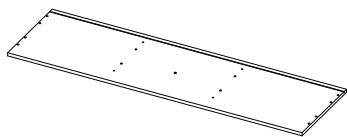


Assembly instructions for step 1/19:

- Tools:** A circular icon shows a screwdriver. A power drill icon is crossed out with a diagonal line, indicating it should not be used.
- Warning:** A triangle with an exclamation mark points to the tool instructions.
- Time:** A clock icon indicates a 90-minute assembly time.
- Personnel:** An icon of a person indicates that 2 people are required for assembly.

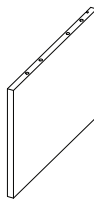


1



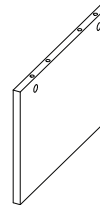
x 1

2



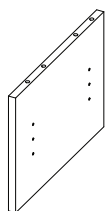
x 1

3



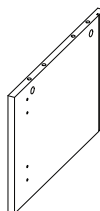
x 1

4



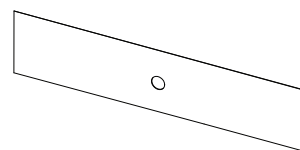
x 1

5



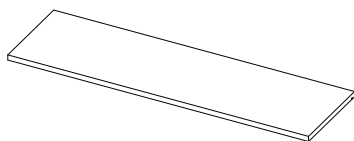
x 1

6



x 1

7



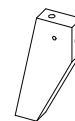
x 1

8



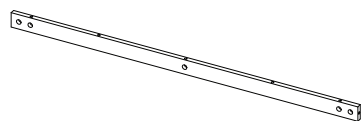
x 1

9



x 2

10



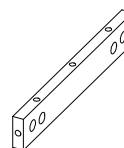
x 2

11



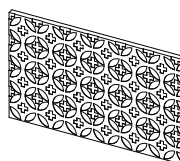
x 2

12



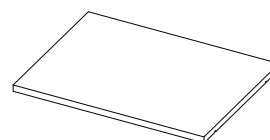
x 2

13



x 2

14



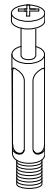
x 1

A



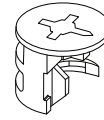
x 22

B



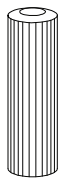
x 4

C



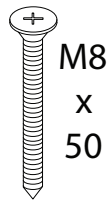
x 26

D



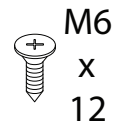
x 27

E



x 9

F



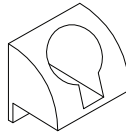
x 16

G



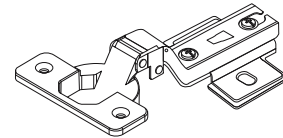
x 6

H



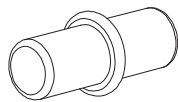
x 6

I



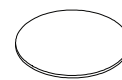
x 4

J



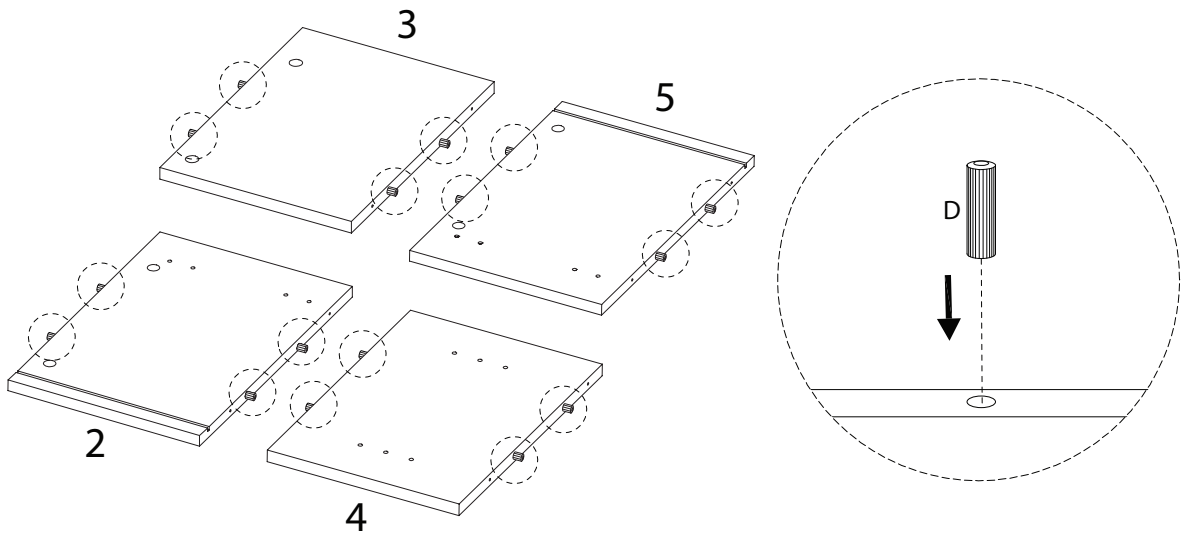
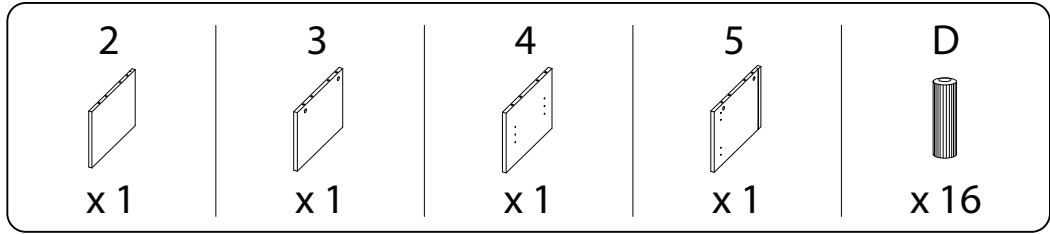
x 4

K

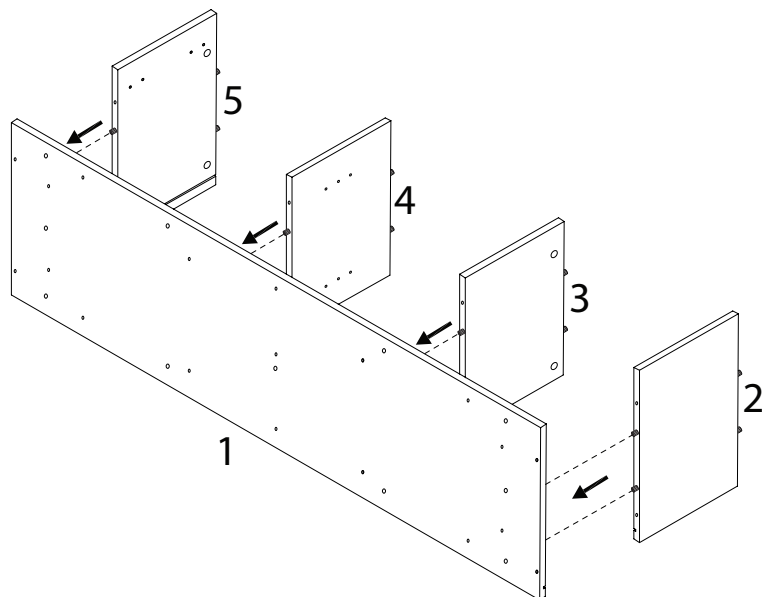
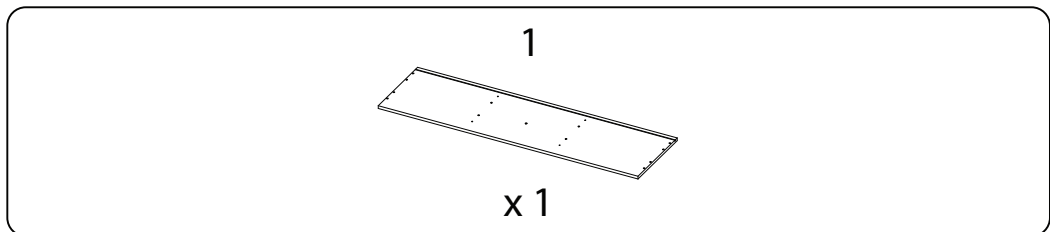


x 8

1

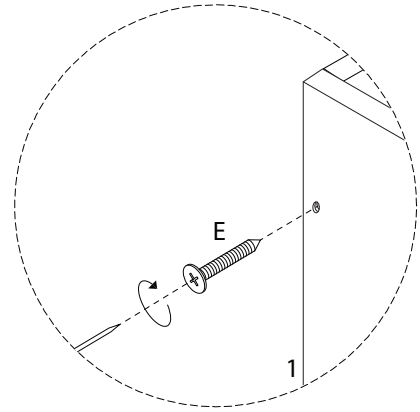
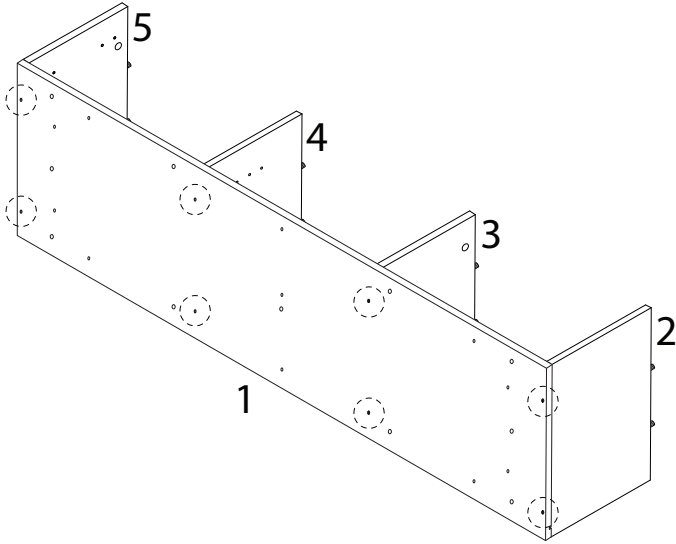


2



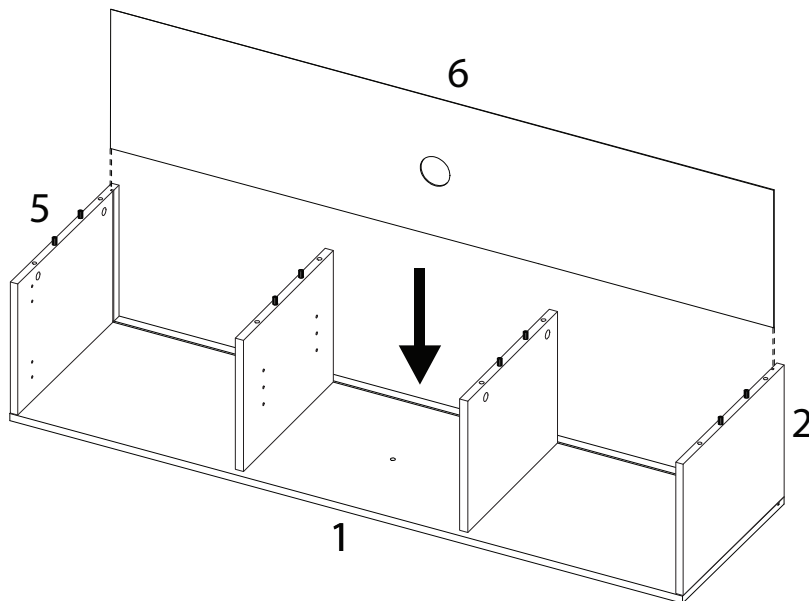
3

E  
M8  
x  
50  
x 8

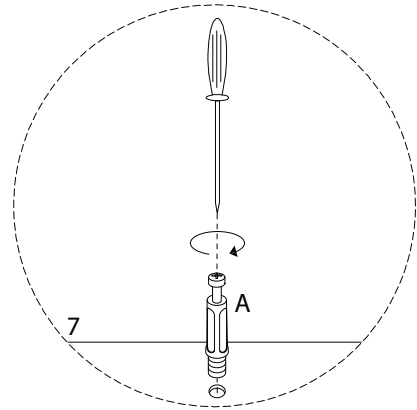
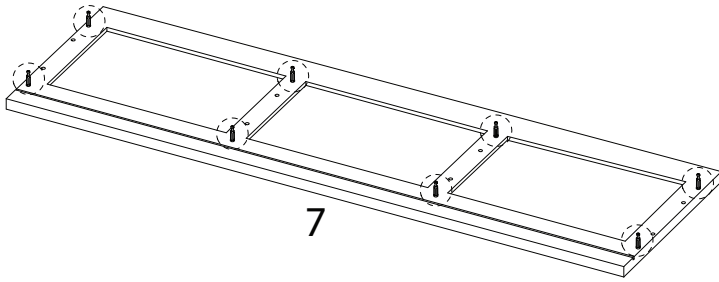
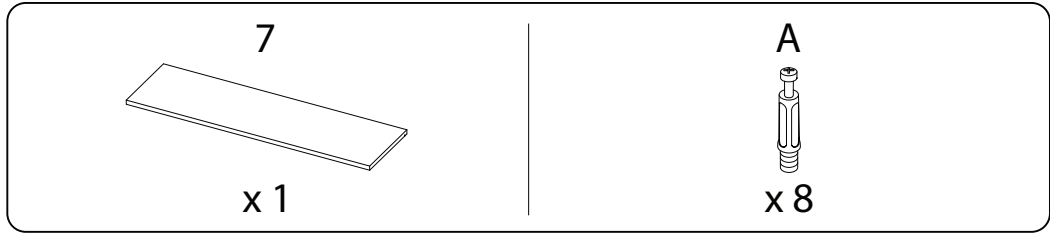


4

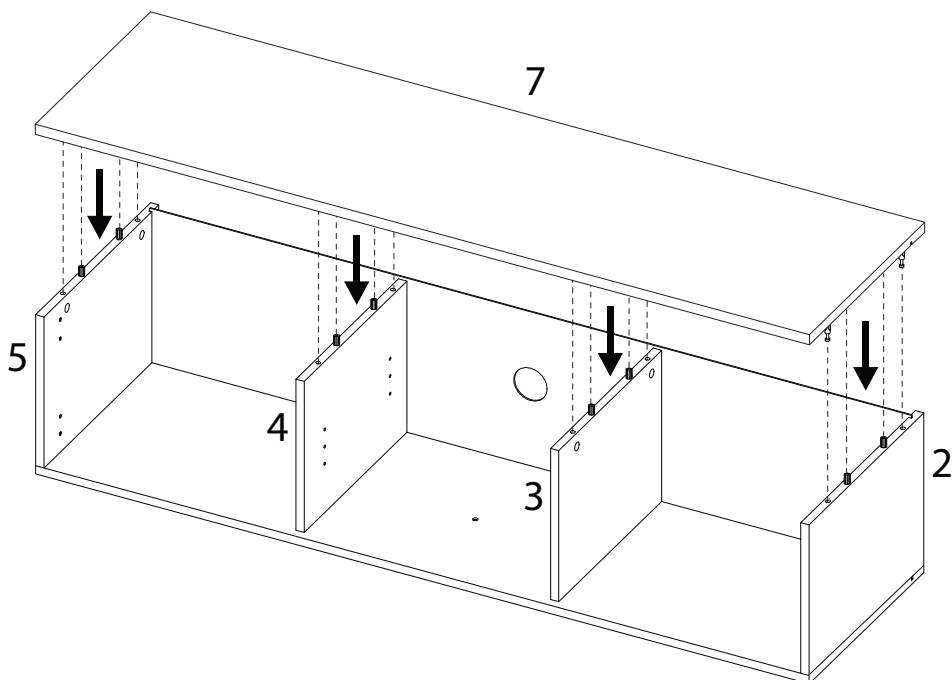
6  
x 1



5



6



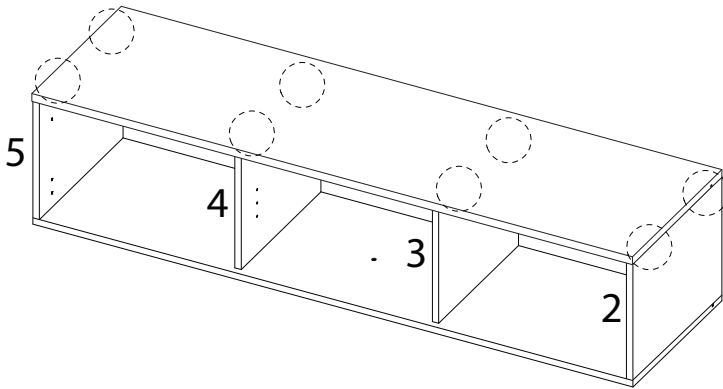


7

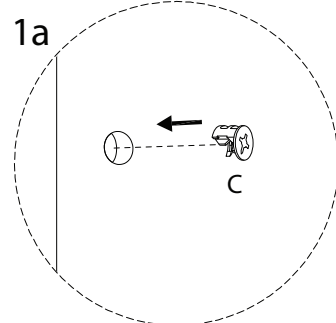
C



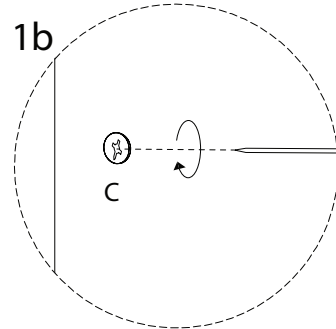
x 8



1a



1b

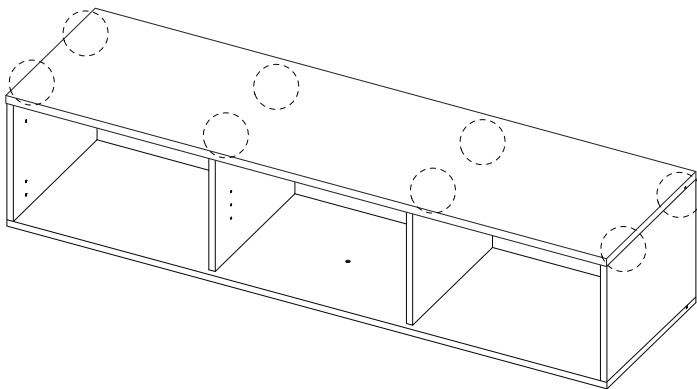


8

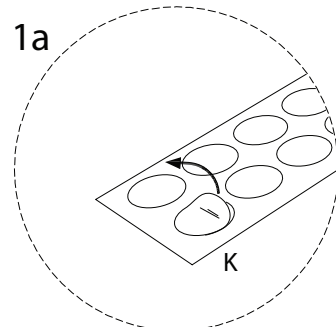
K



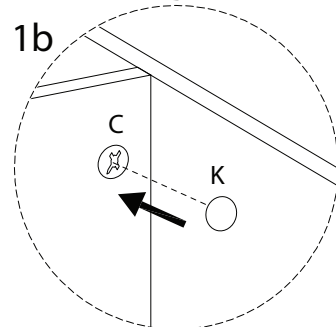
x 8



1a



1b



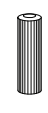
9

8

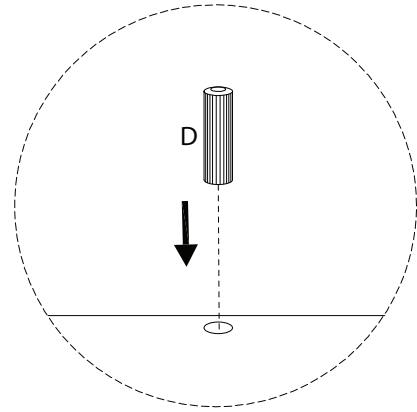
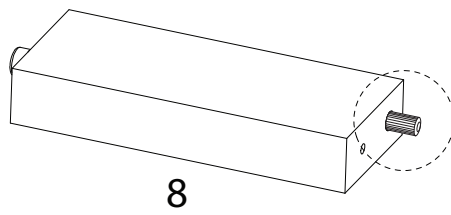


x 1

D



x 1



10 x 2

9



x 1

11

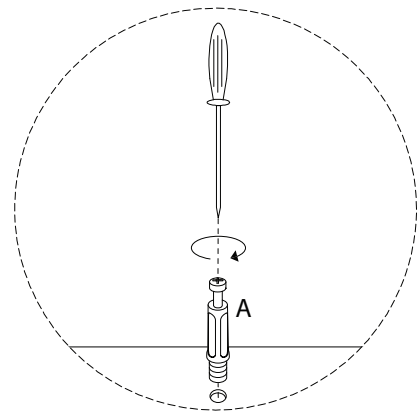
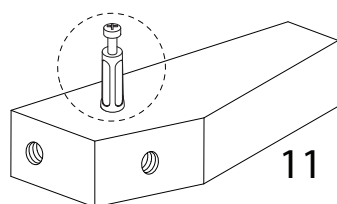
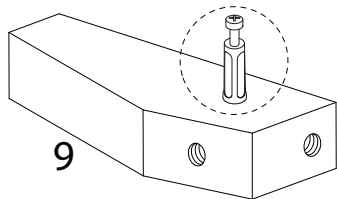


x 1

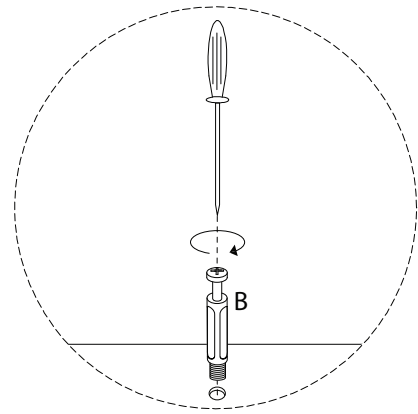
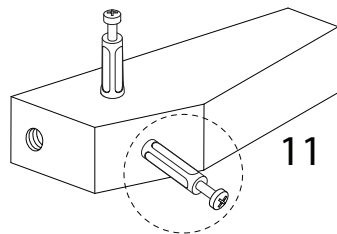
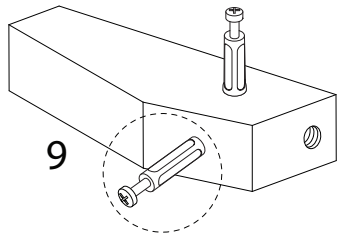
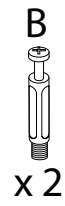
A



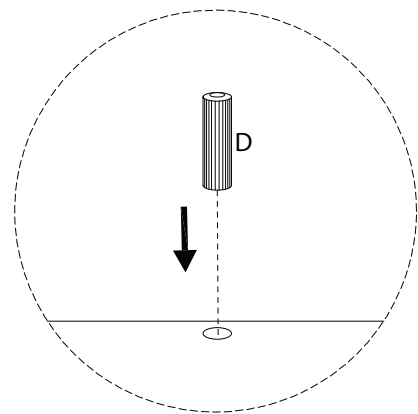
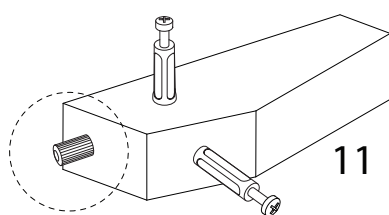
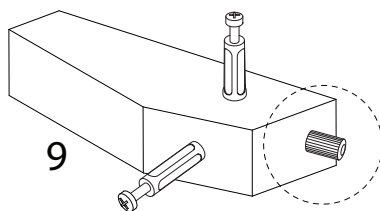
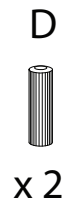
x 2



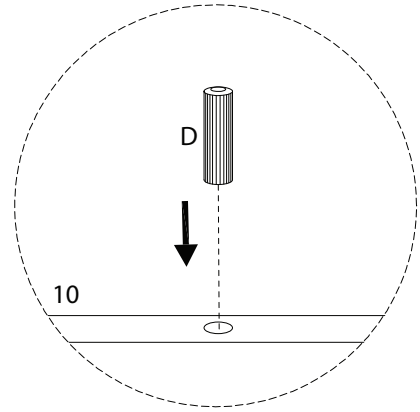
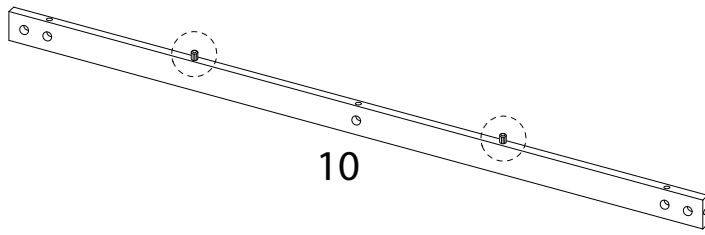
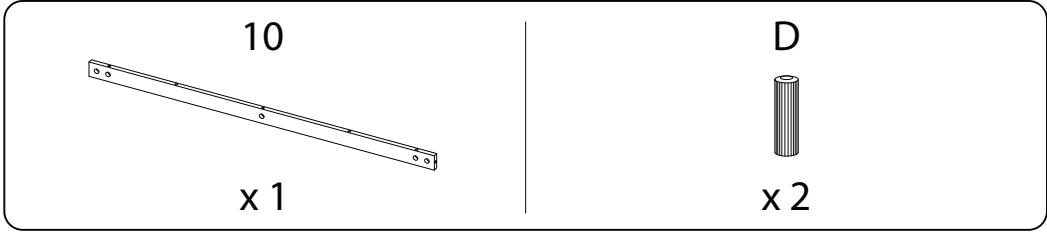
11 x 2



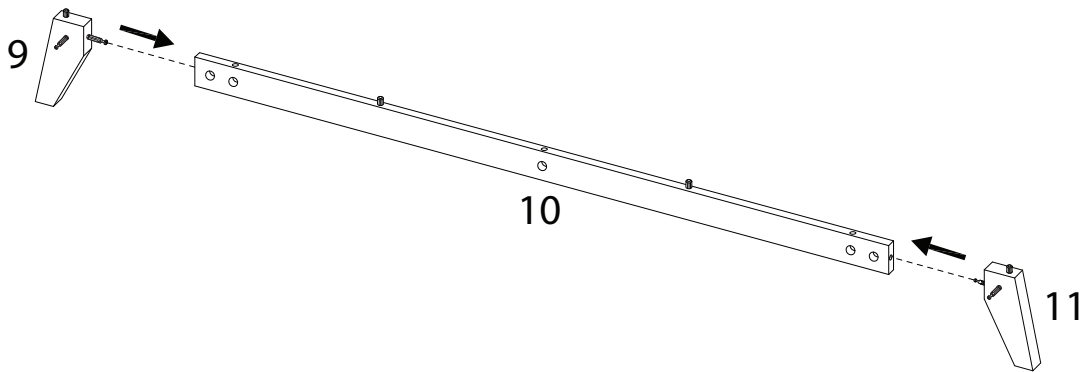
12 x 2



13 x 2



14 x 2

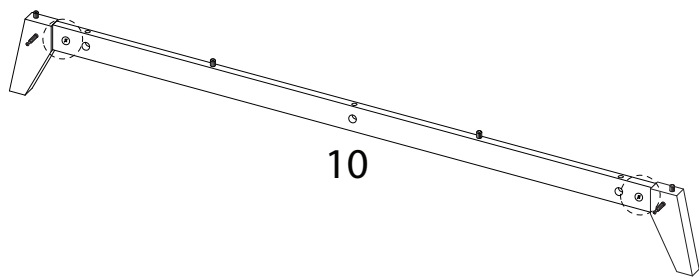


15 x 2

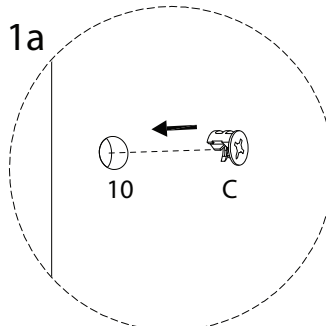
C



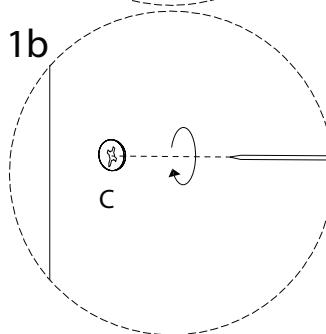
x 2



1a

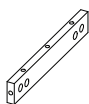


1b



16 x 2

12

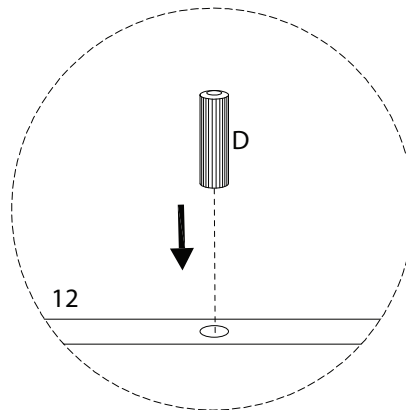
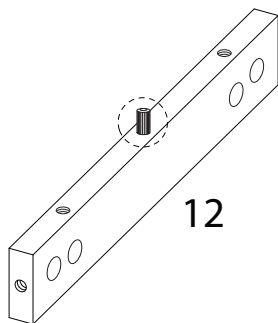


x 1

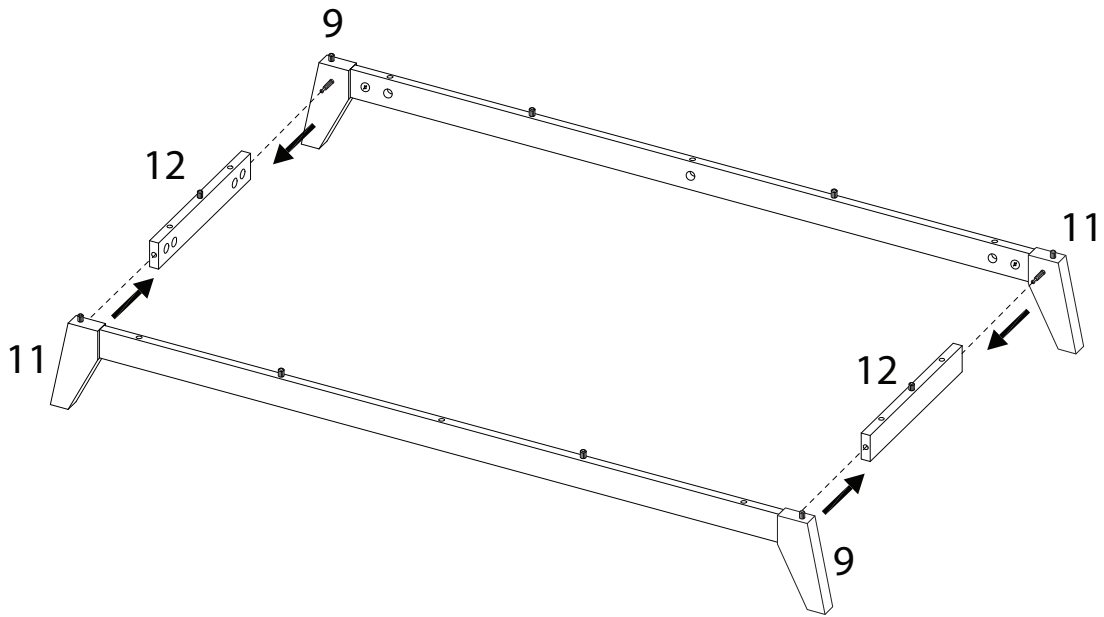
D



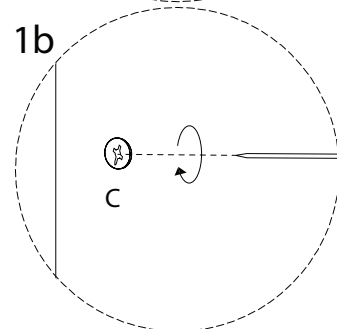
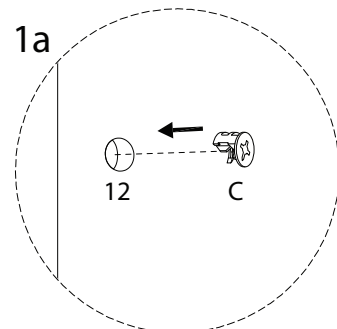
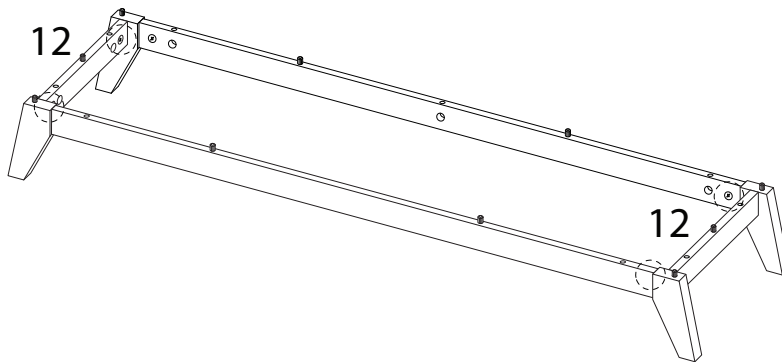
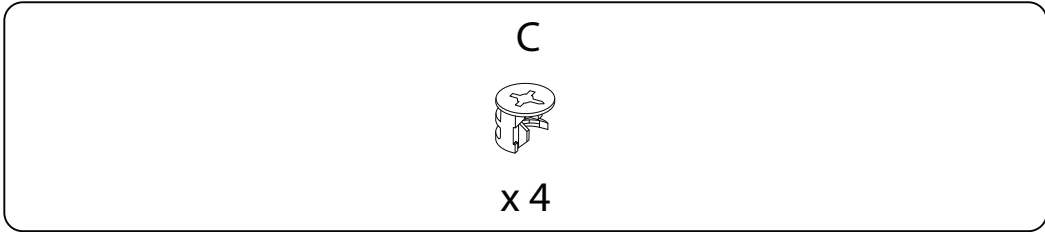
x 1



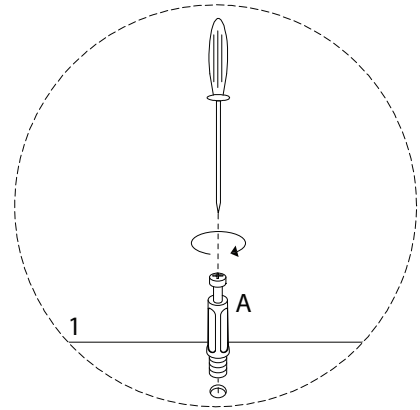
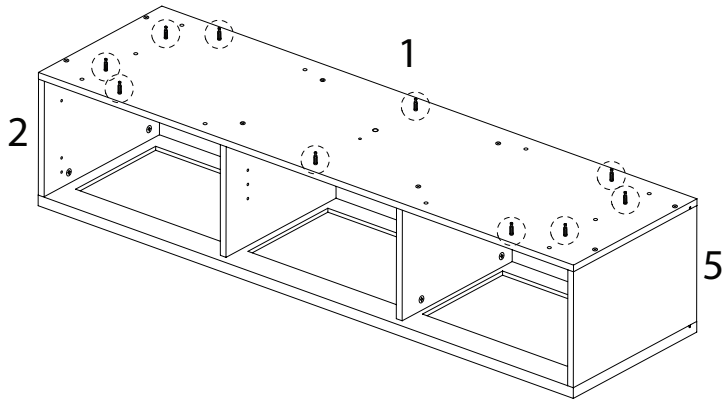
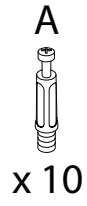
17



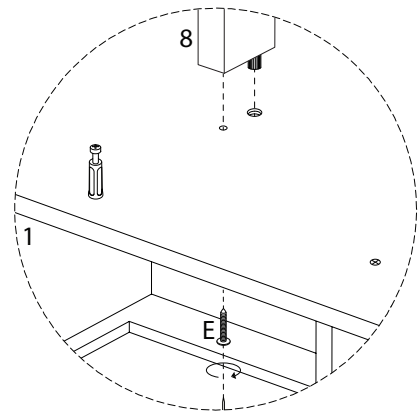
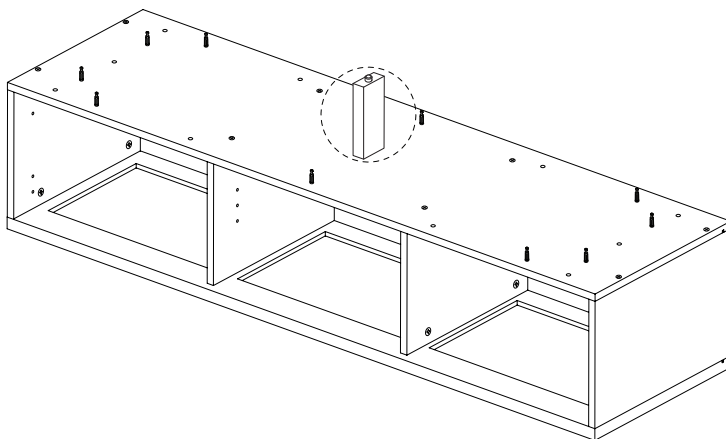
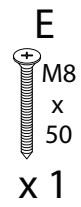
18



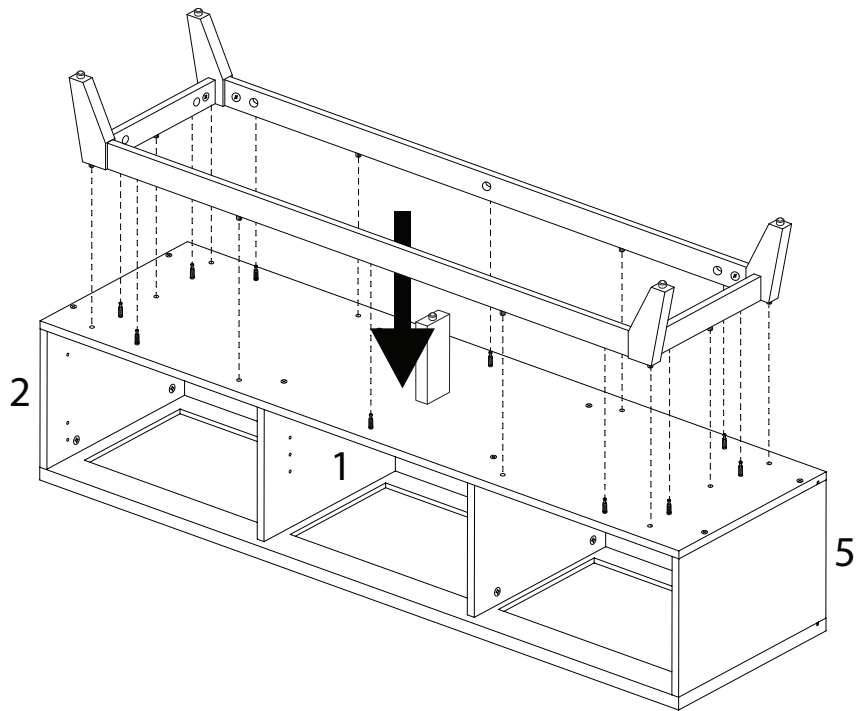
19



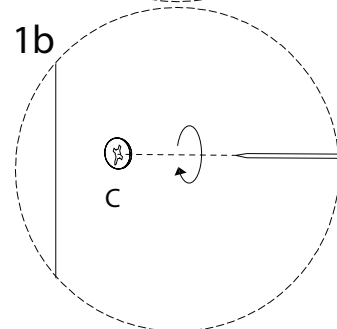
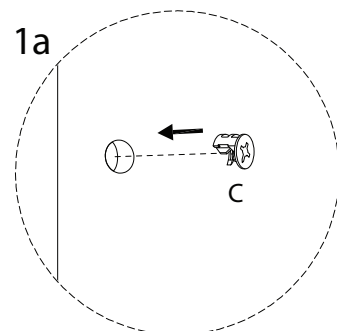
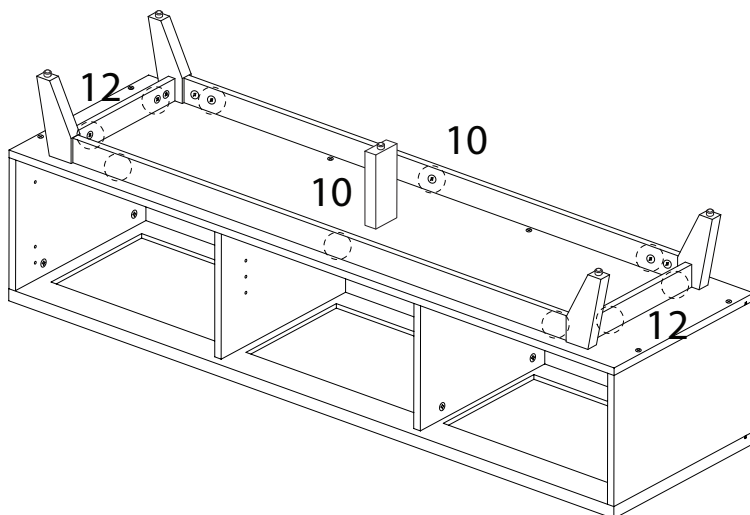
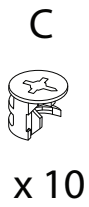
20



21



22





23 x 2

13



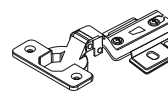
x 1

F

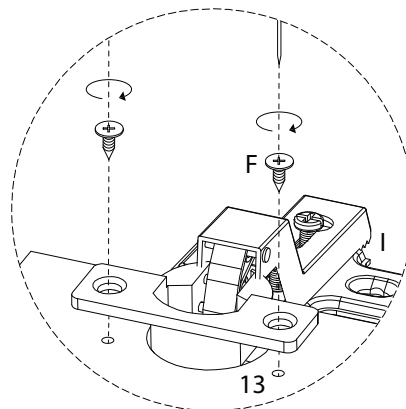
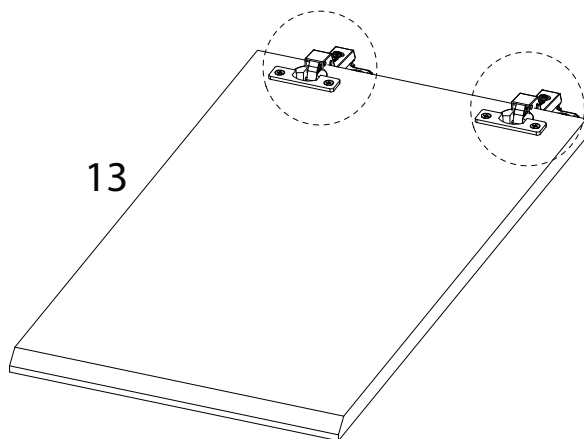


x 4

I



x 2

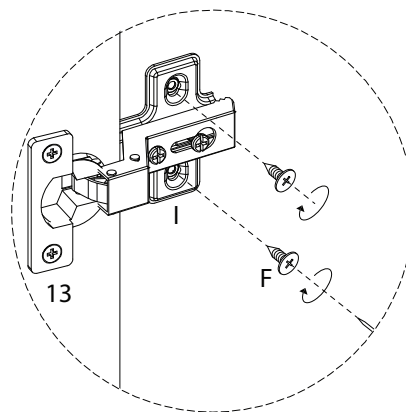
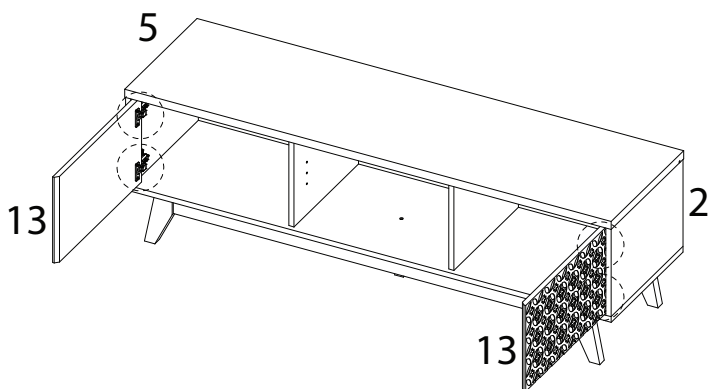


24

F

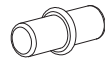


x 8

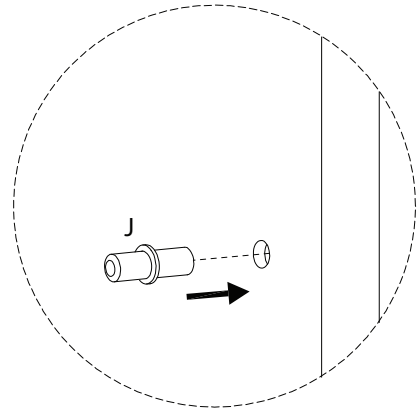
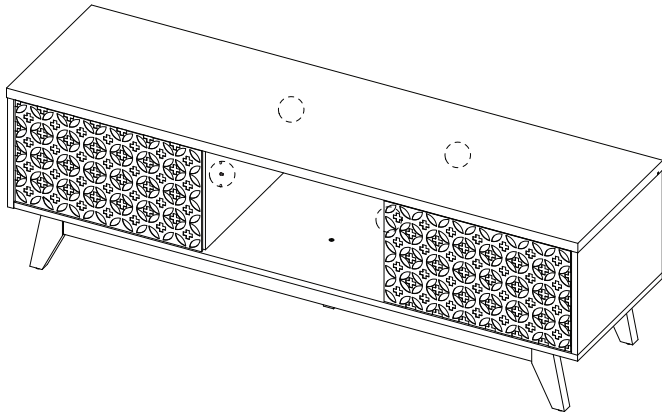


25

J

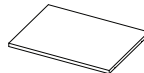


x 4

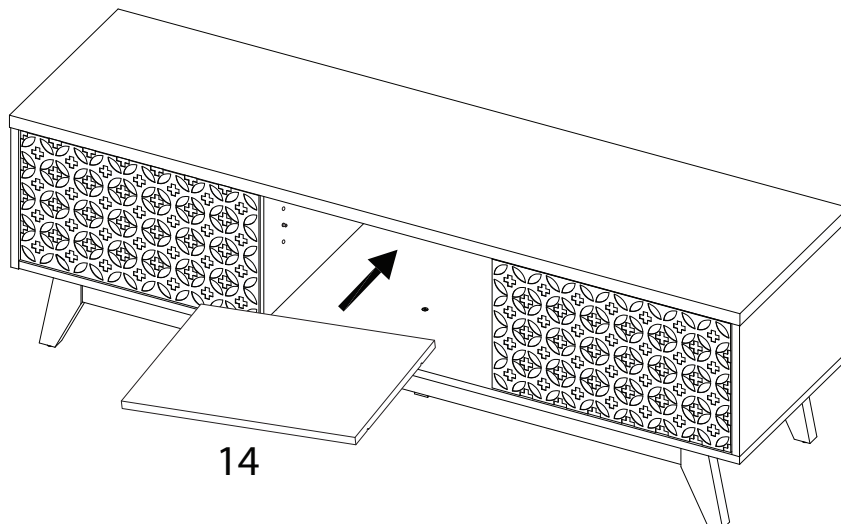


26

14



x 1



27

G

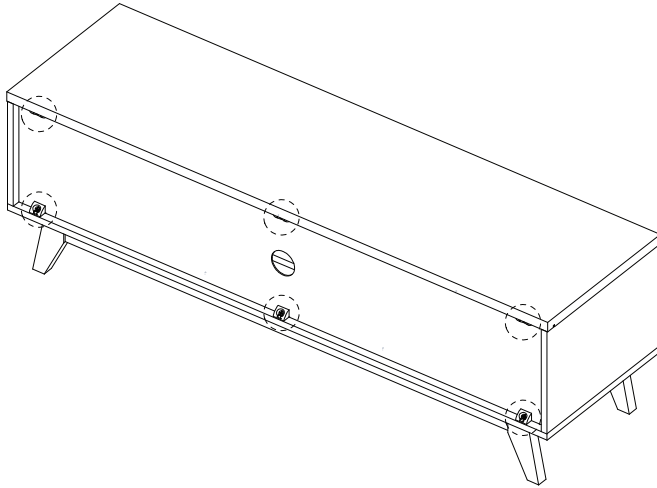


x 6

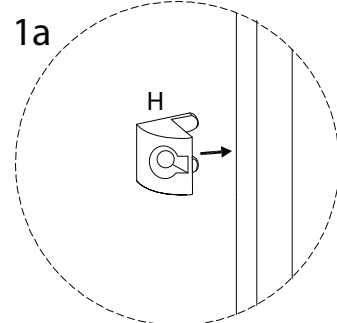
H



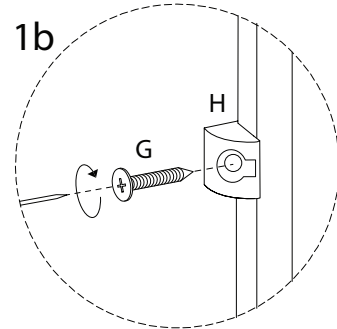
x 6



1a



1b



!

