
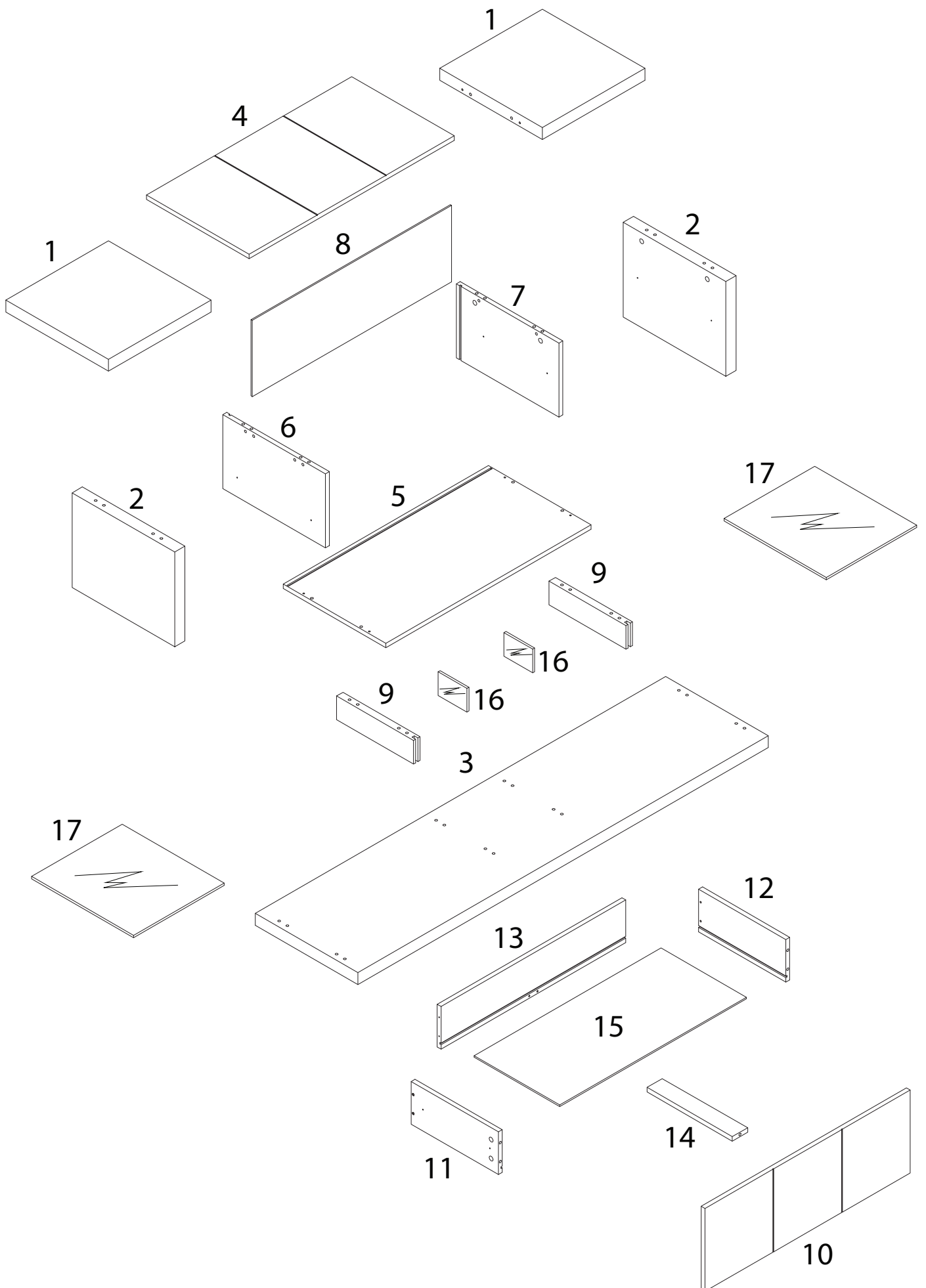
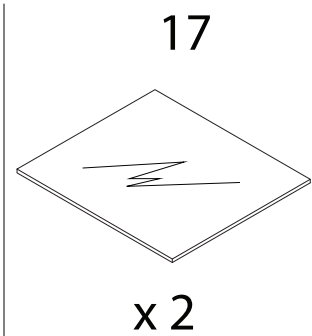
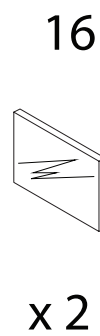
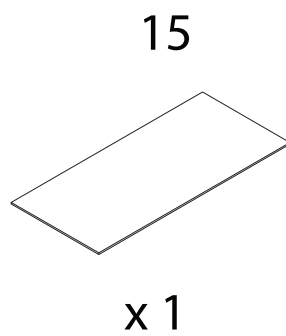
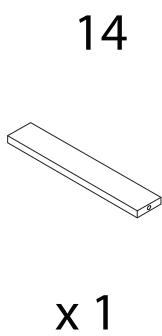
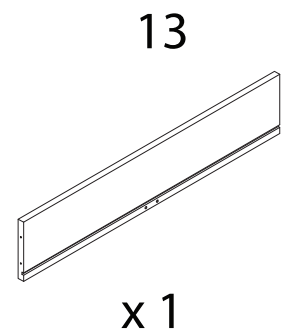
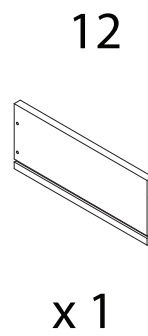
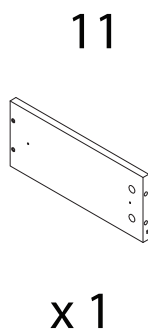
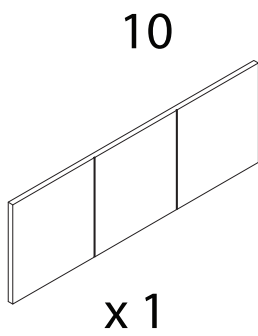
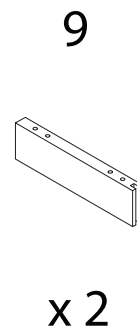
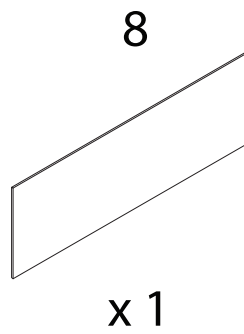
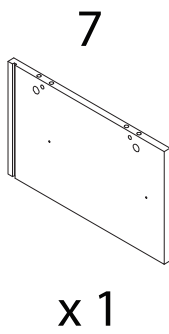
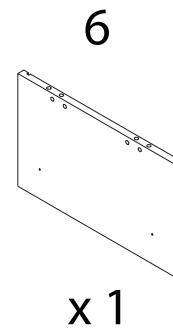
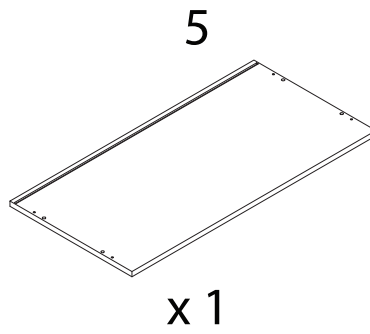
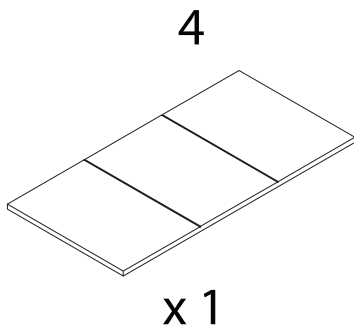
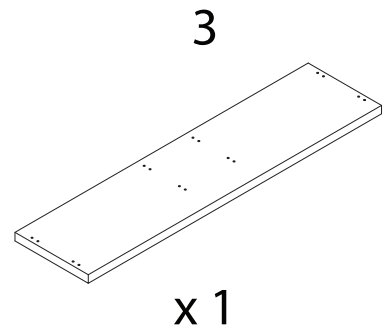
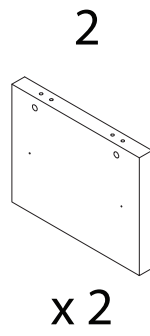
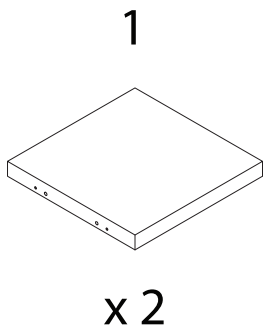
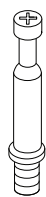
	<p>60'</p>
		
		<p>2</p>



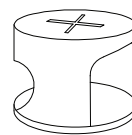


A



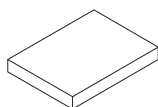
x 17

B



x 17

C



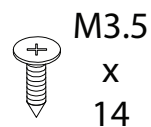
x 8

D



x 28

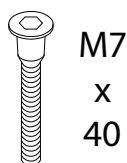
E



M3.5
x
14

x 16

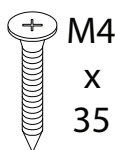
F



M7
x
40

x 8

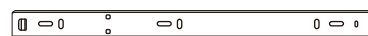
G



M4
x
35

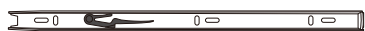
x 6

H



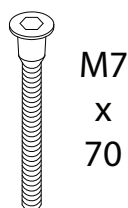
x 2

I



x 2

J



M7
x
70

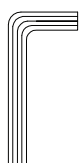
x 8

K



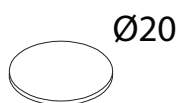
x 8

L



x 1

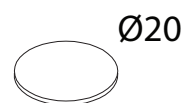
M



Ø20

x 4

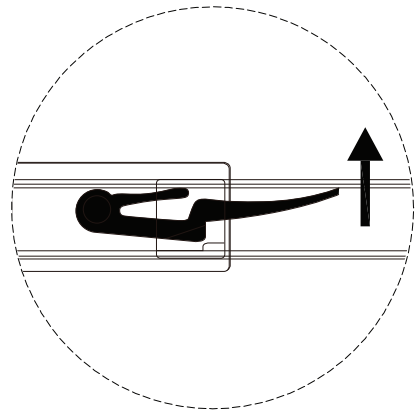
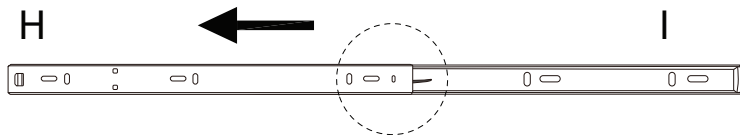
N



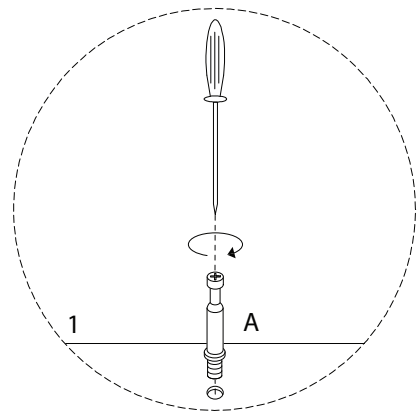
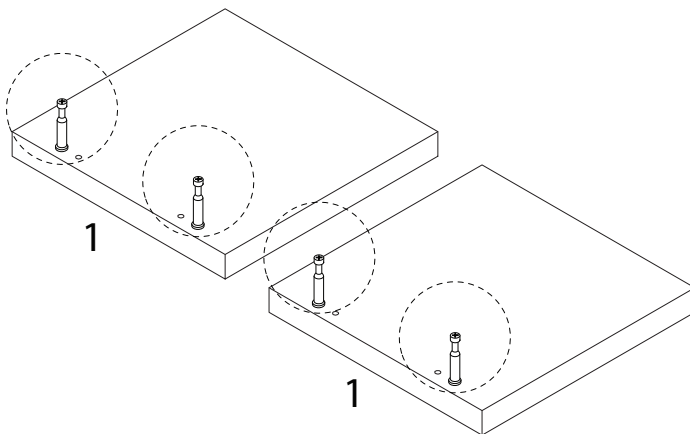
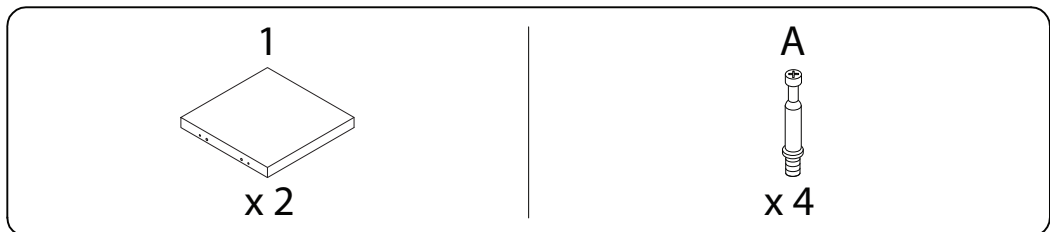
Ø20

x 4

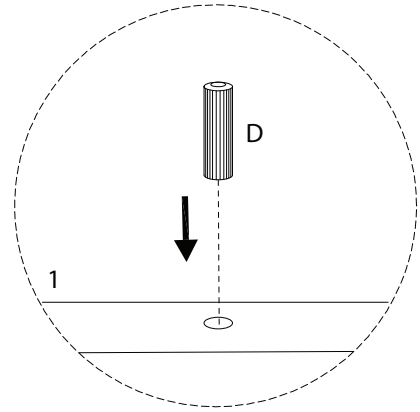
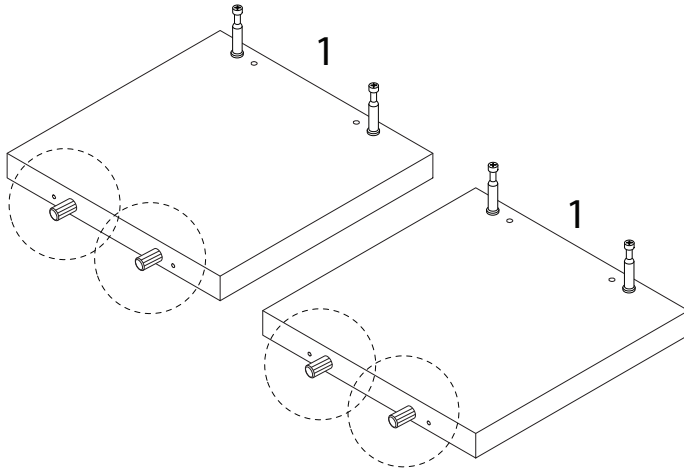
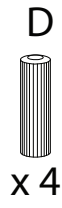
!



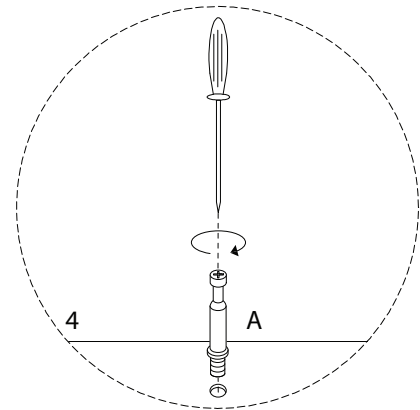
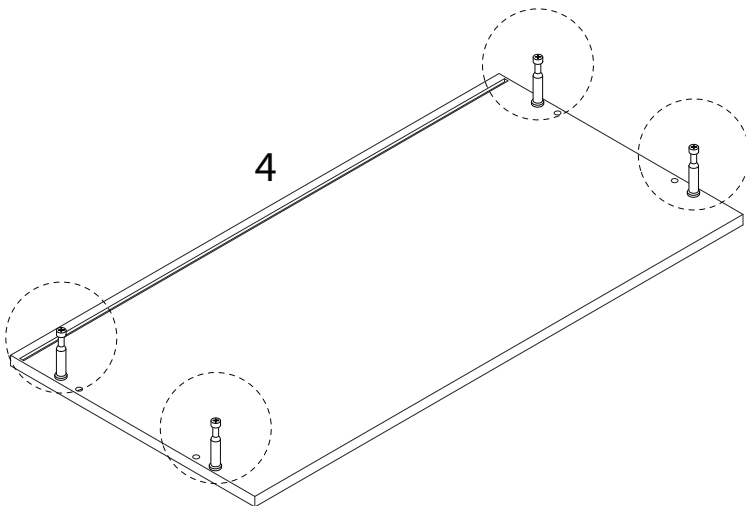
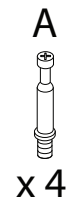
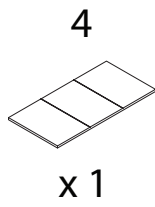
1



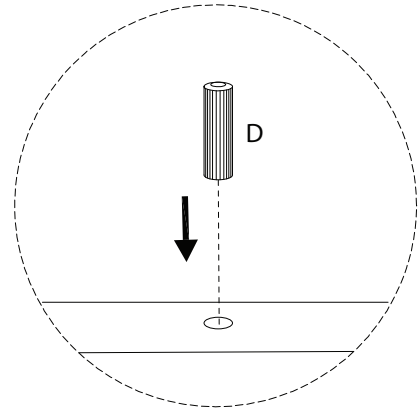
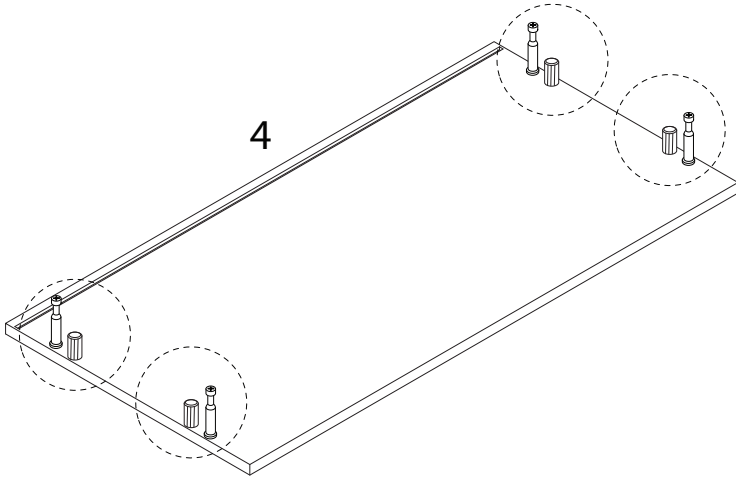
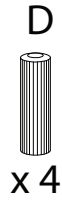
2



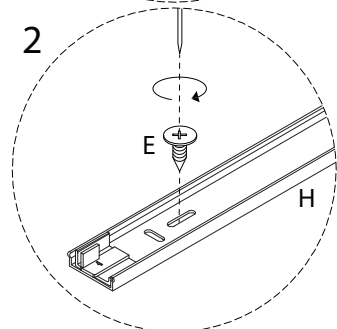
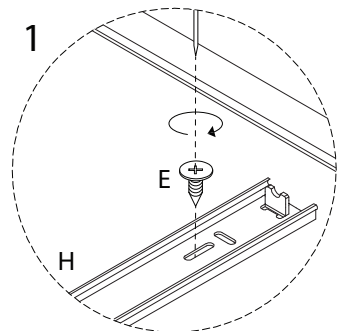
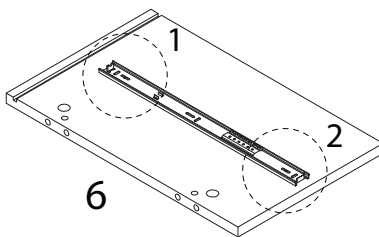
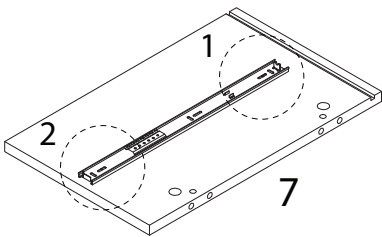
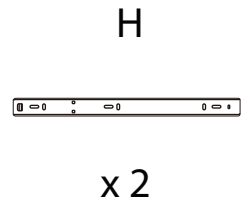
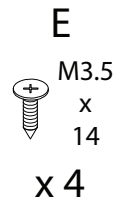
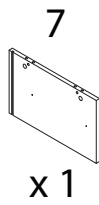
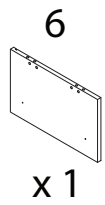
3



4

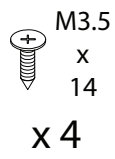


5

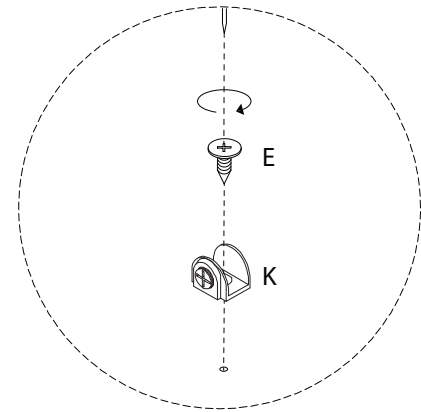
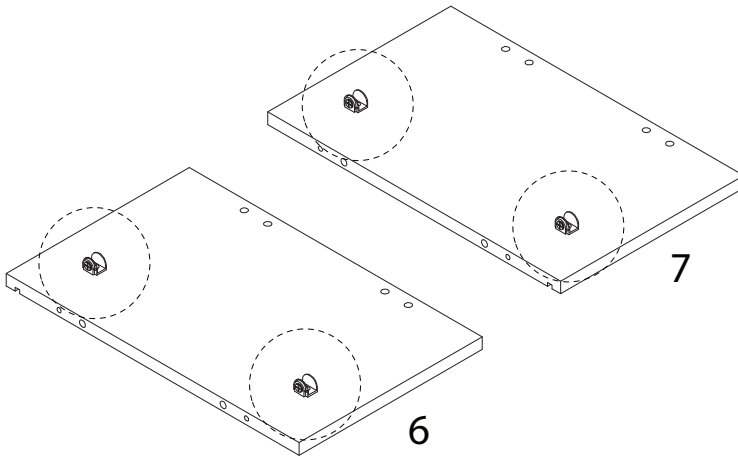


6

E

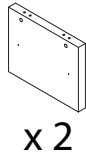


K

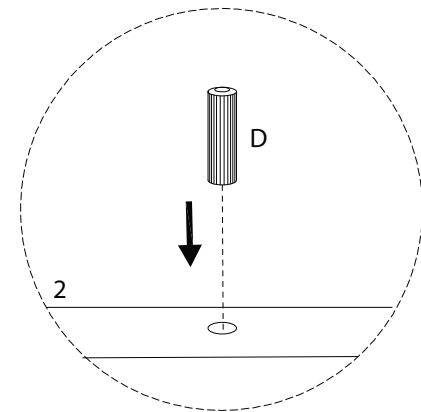
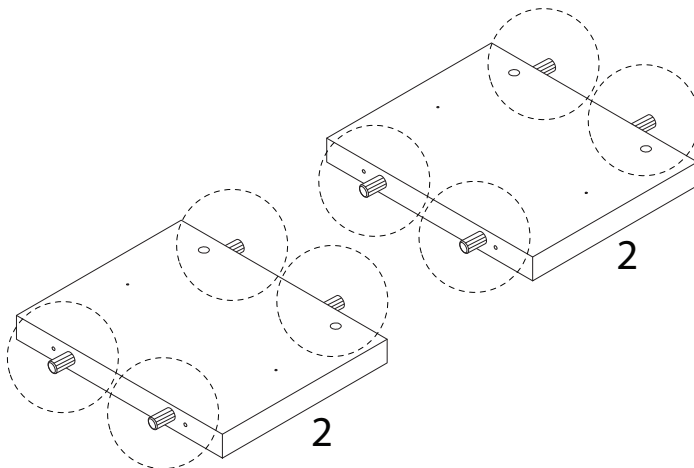
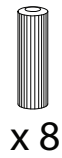


7

2

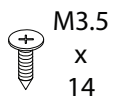


D



8

E

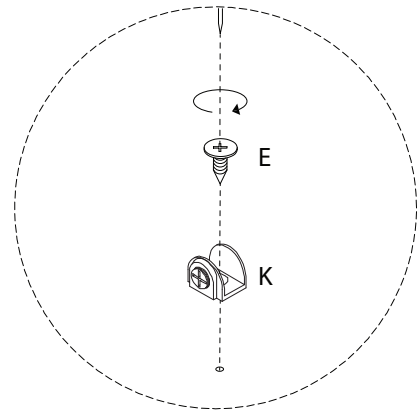
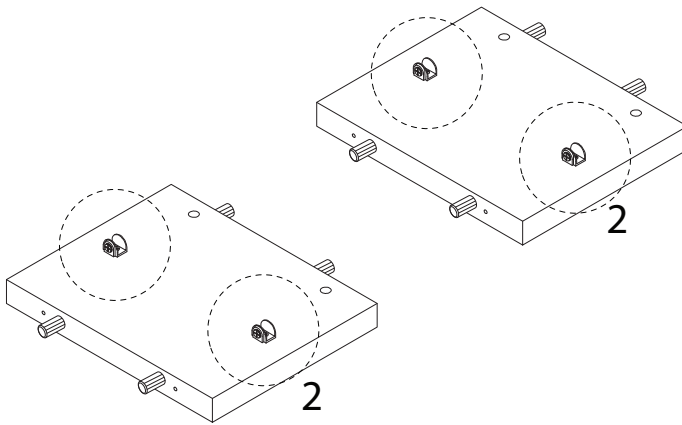


x 4

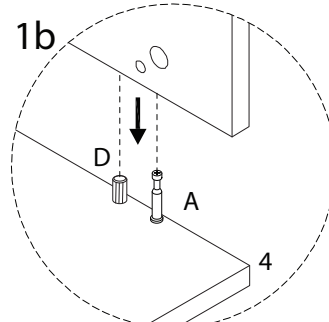
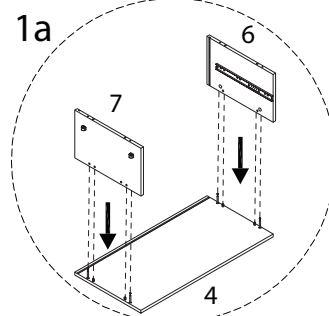
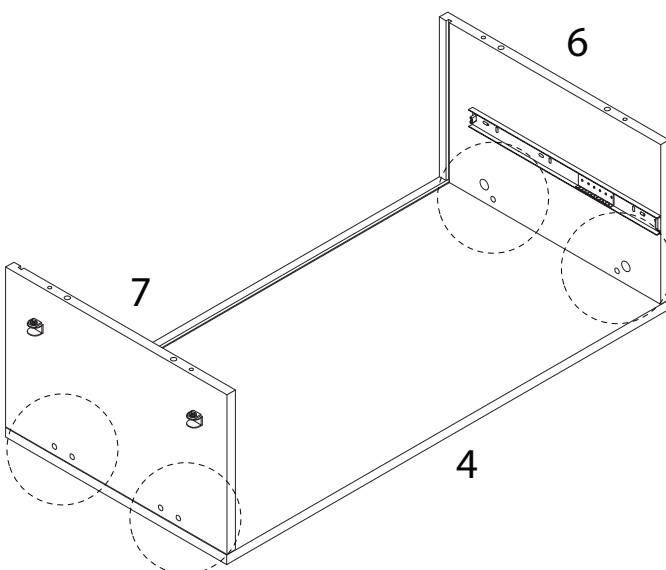
K



x 4



9

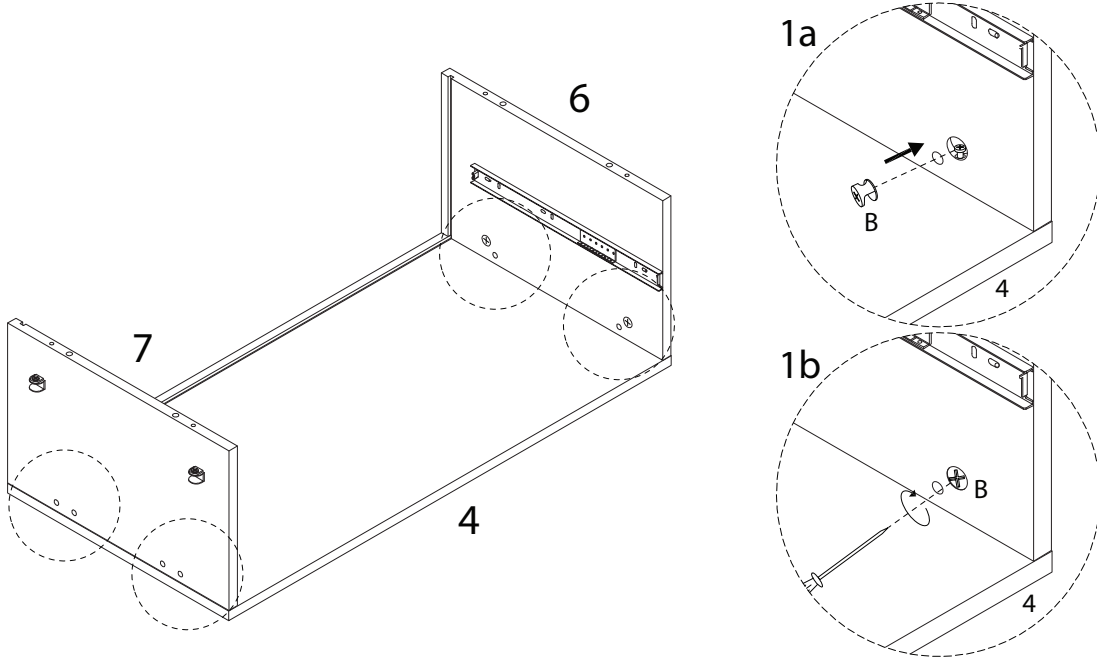


10

B

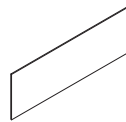


x 4

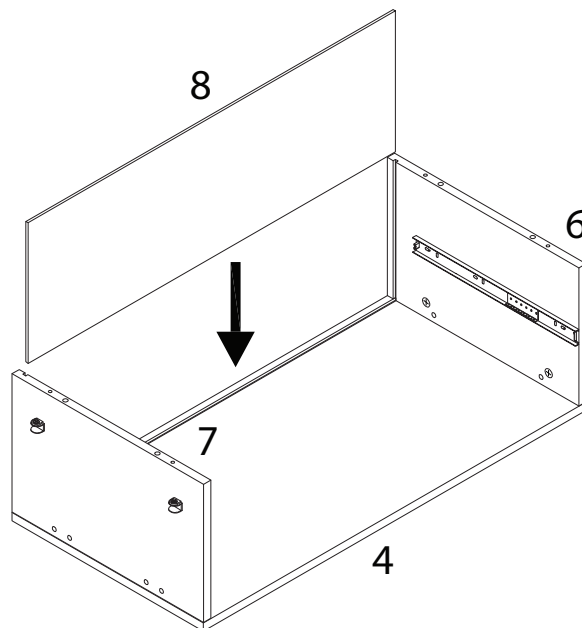


11

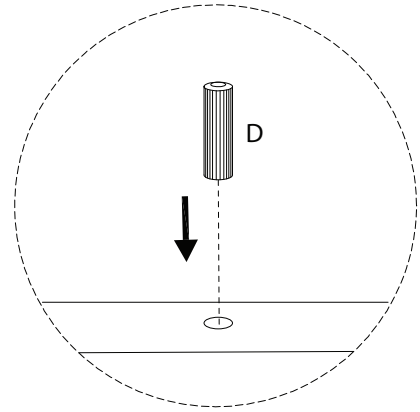
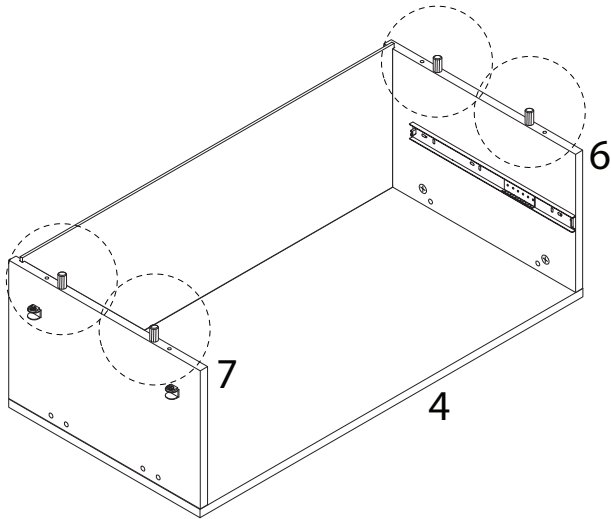
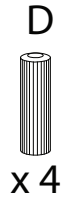
8



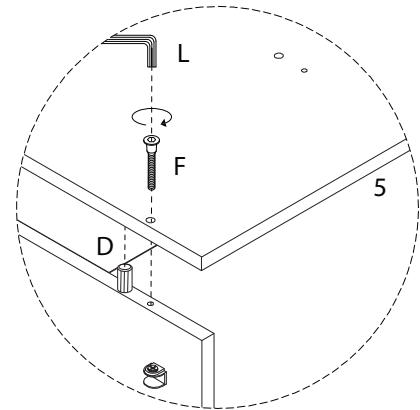
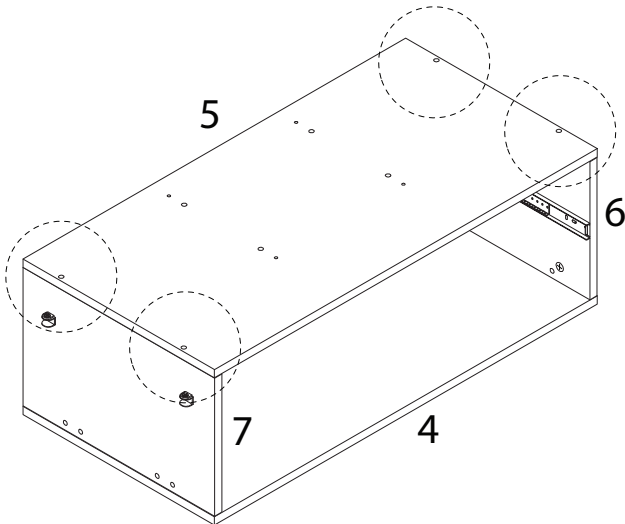
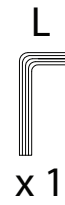
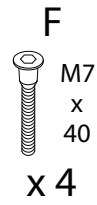
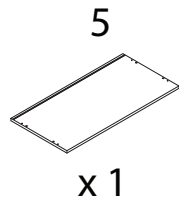
x 1



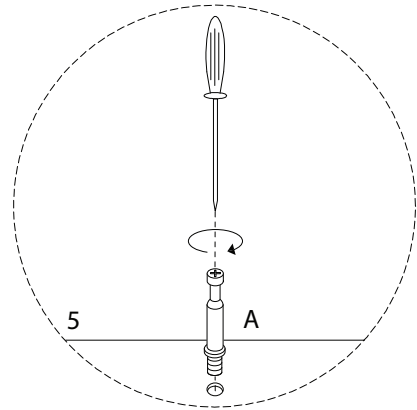
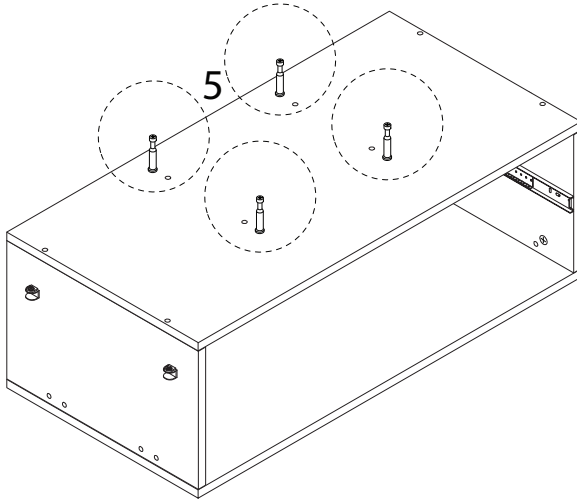
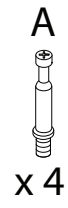
12



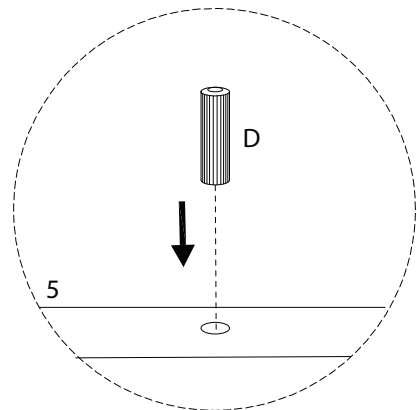
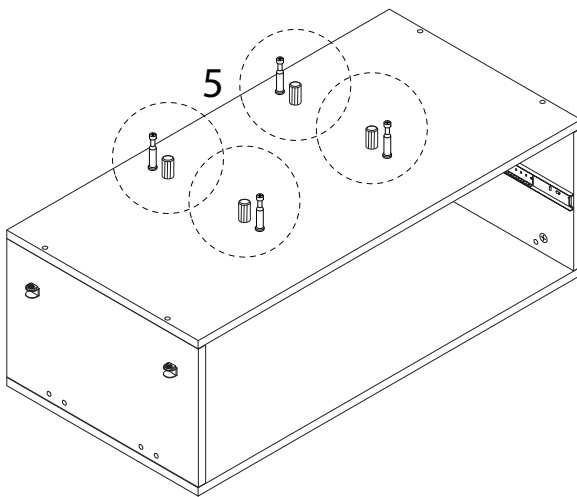
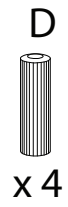
13



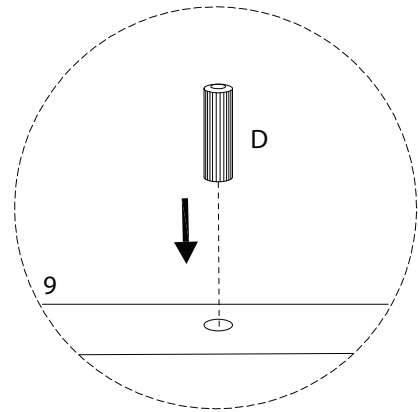
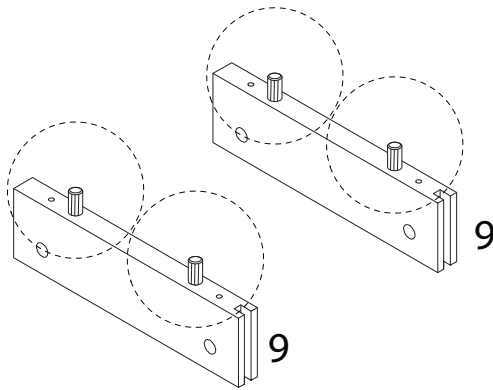
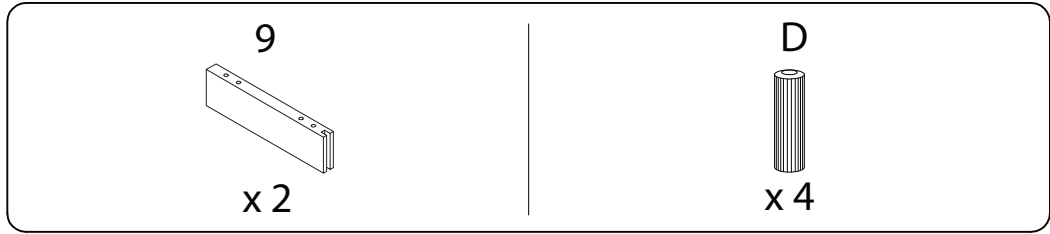
14



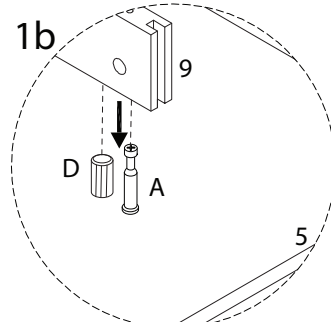
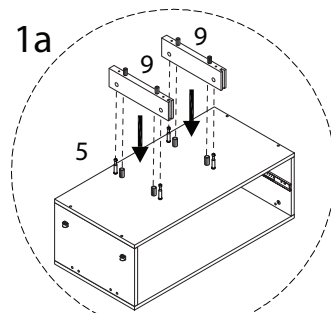
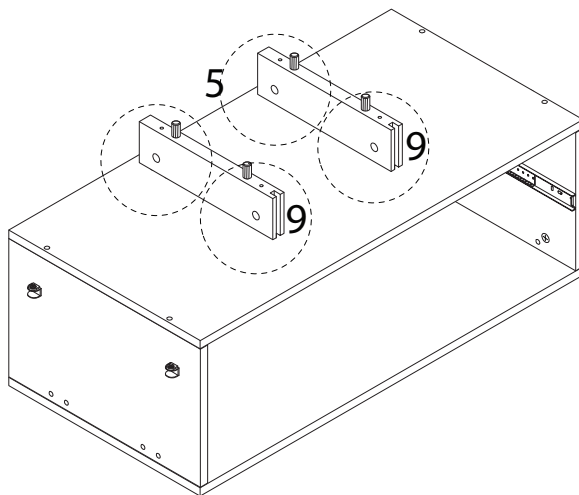
15



16



17

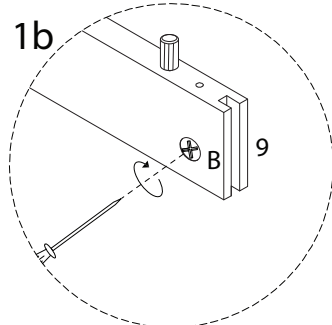
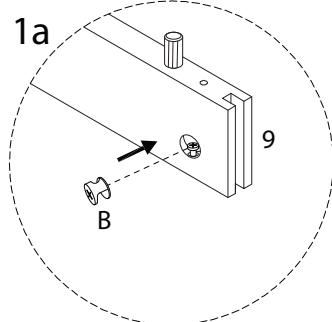
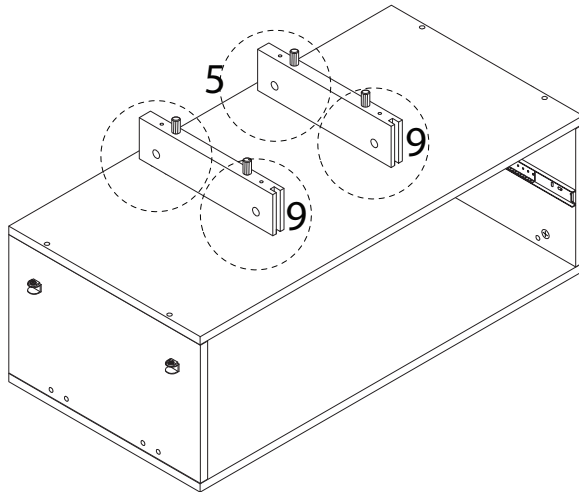


18

B

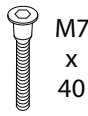


x 4



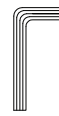
19

F

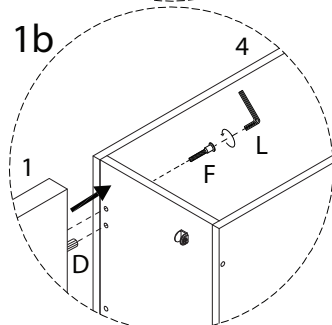
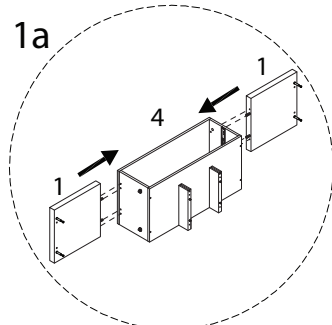
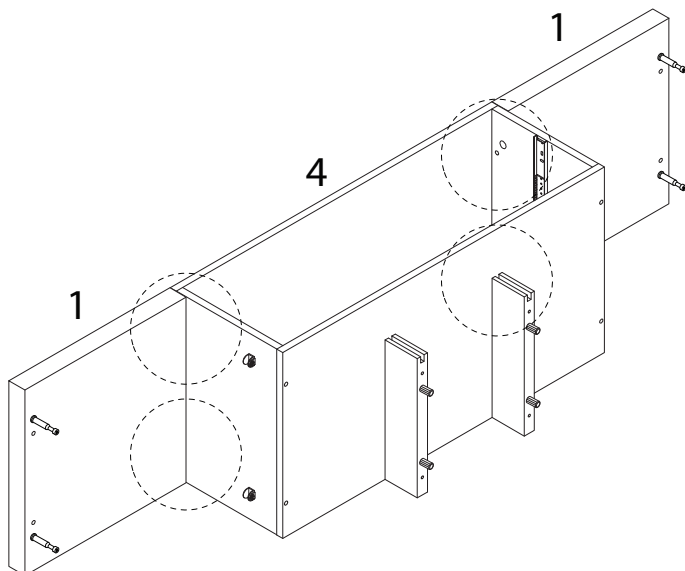


x 4

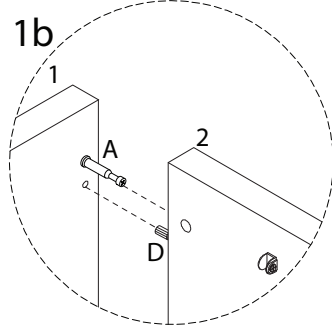
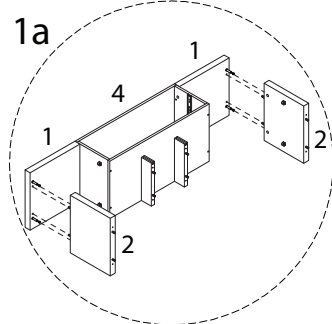
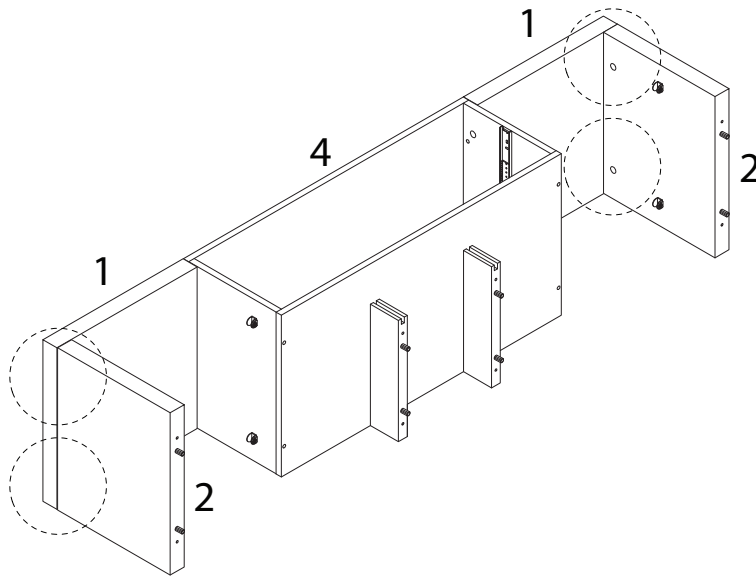
L



x 1



20

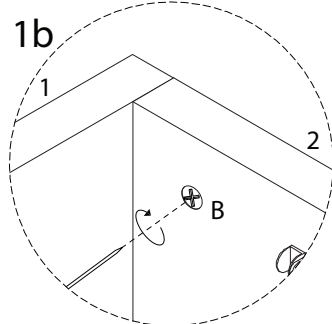
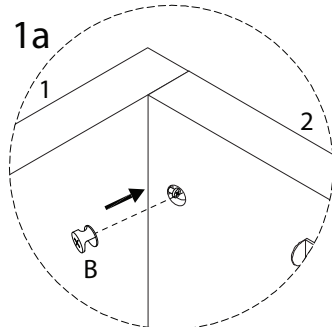
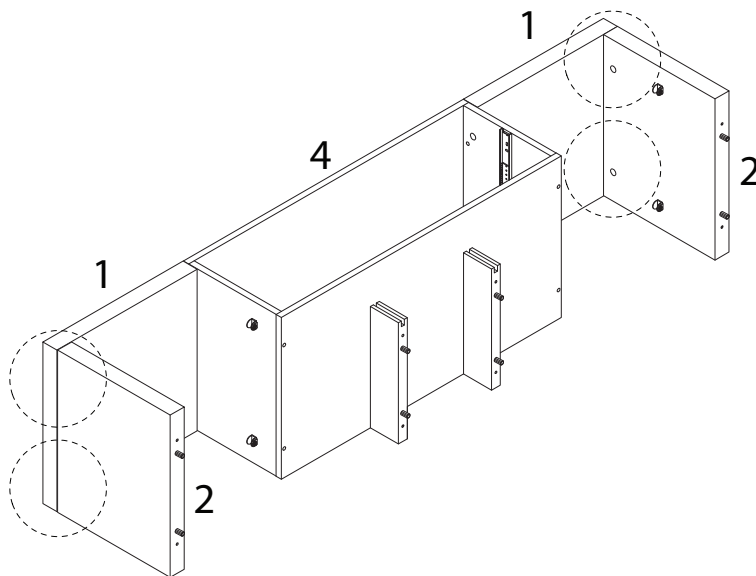


21

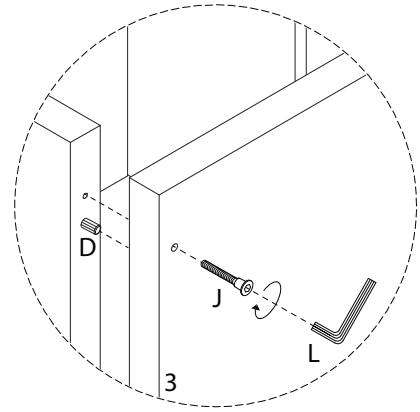
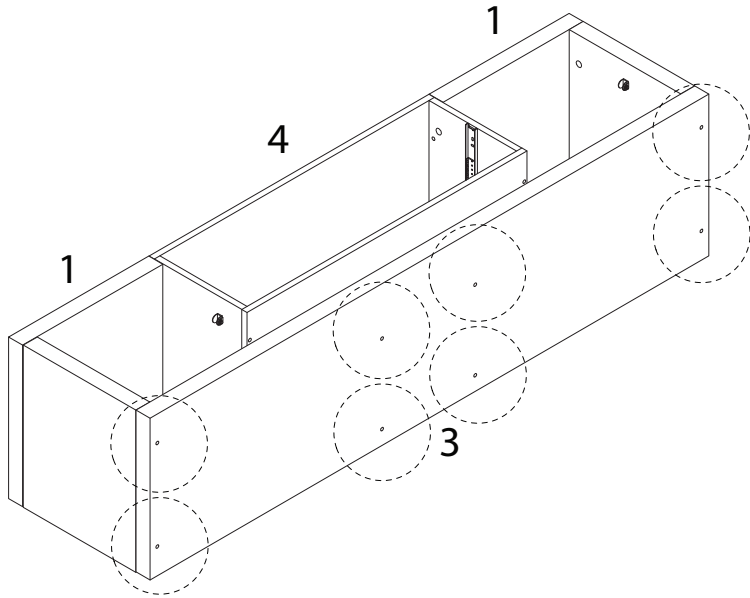
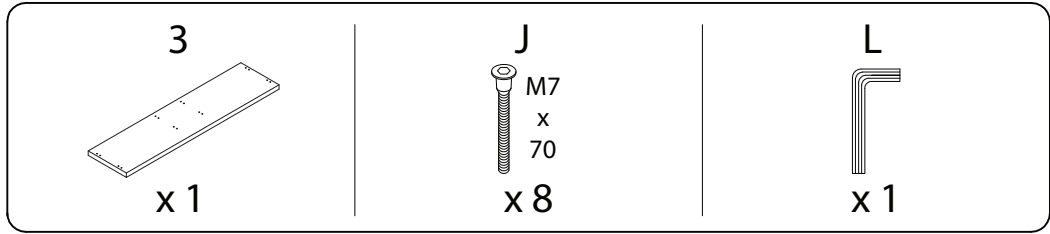
B



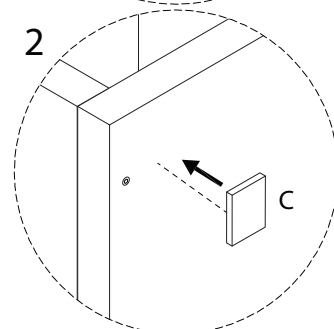
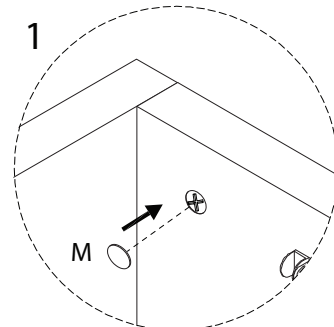
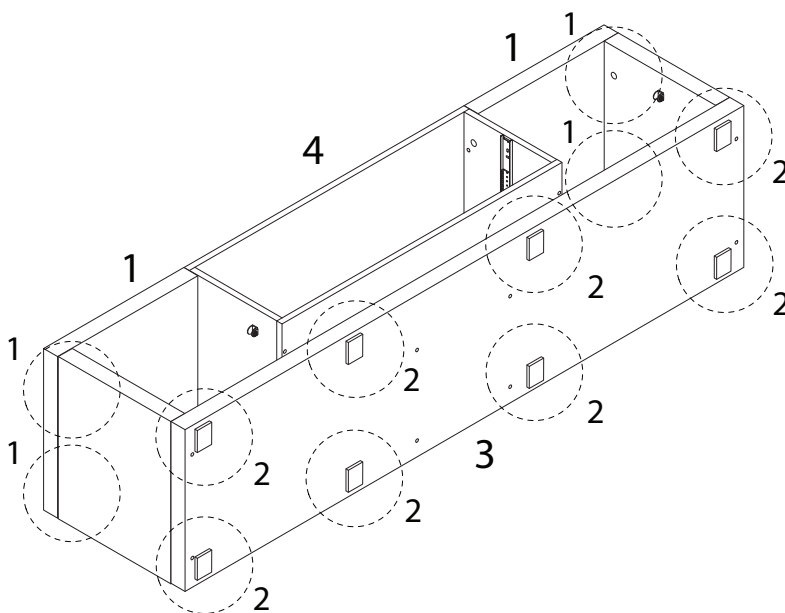
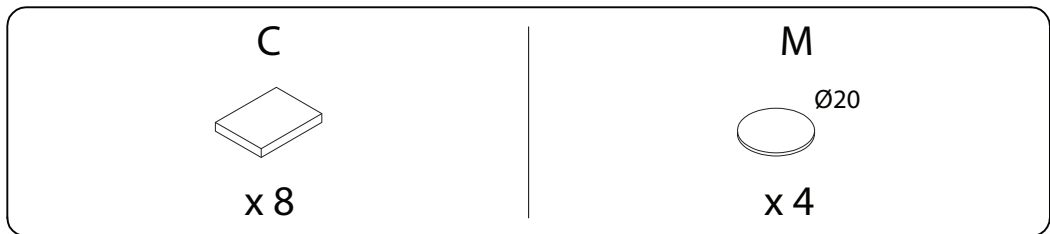
x 4



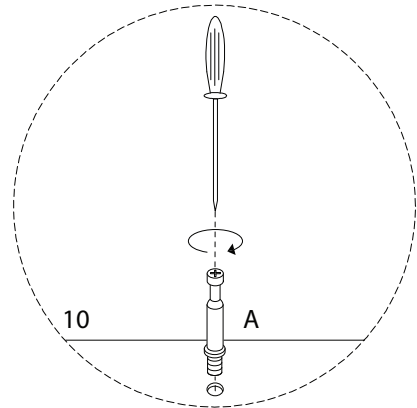
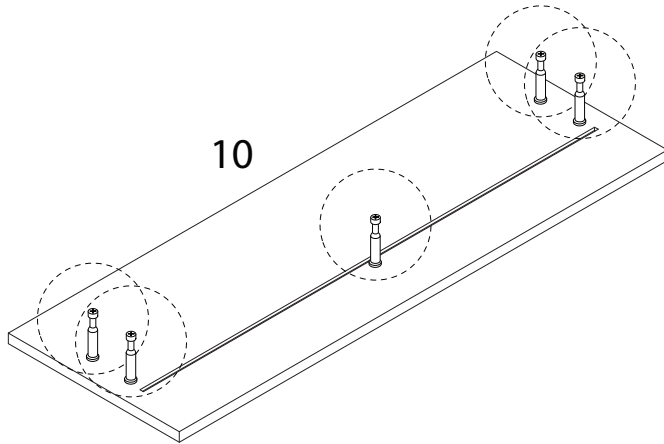
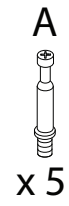
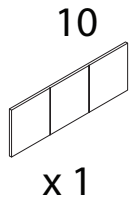
22



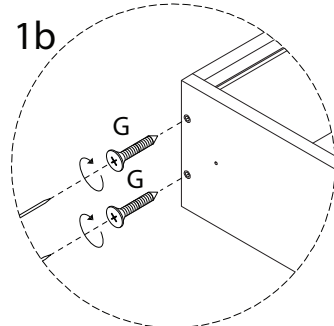
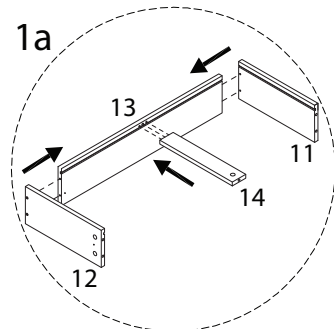
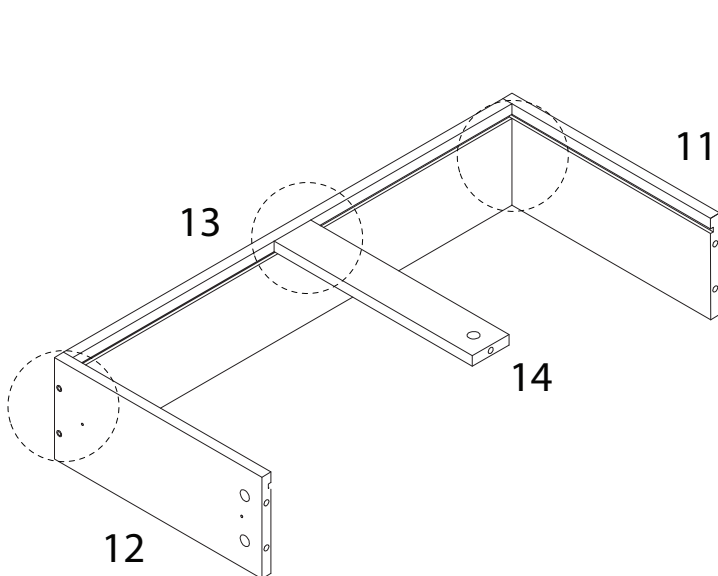
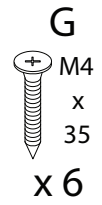
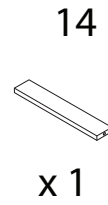
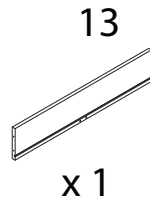
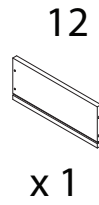
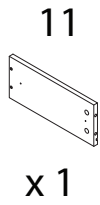
23



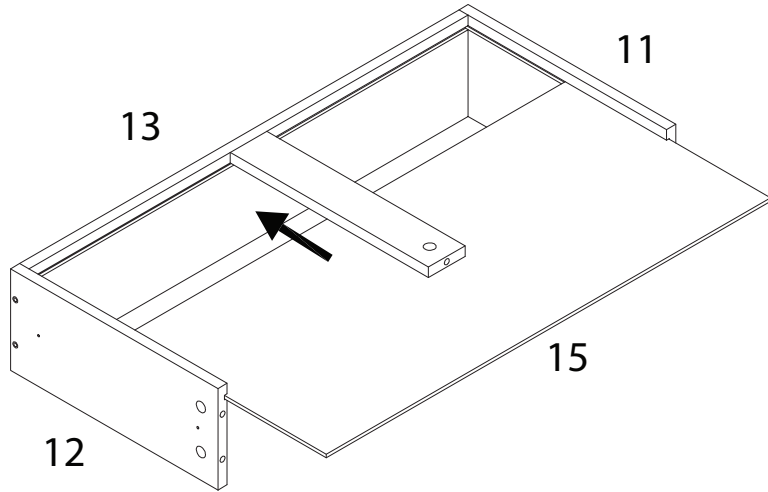
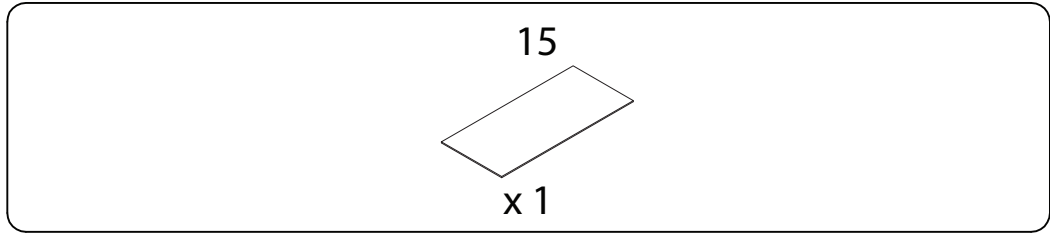
24



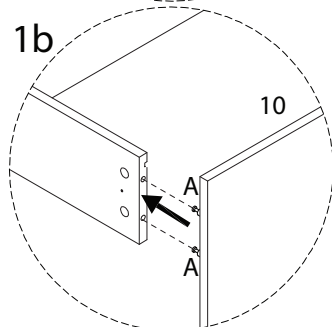
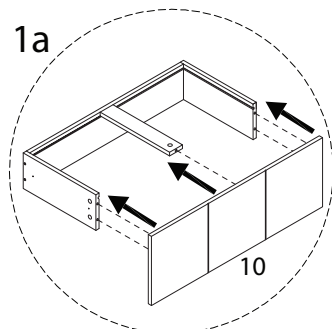
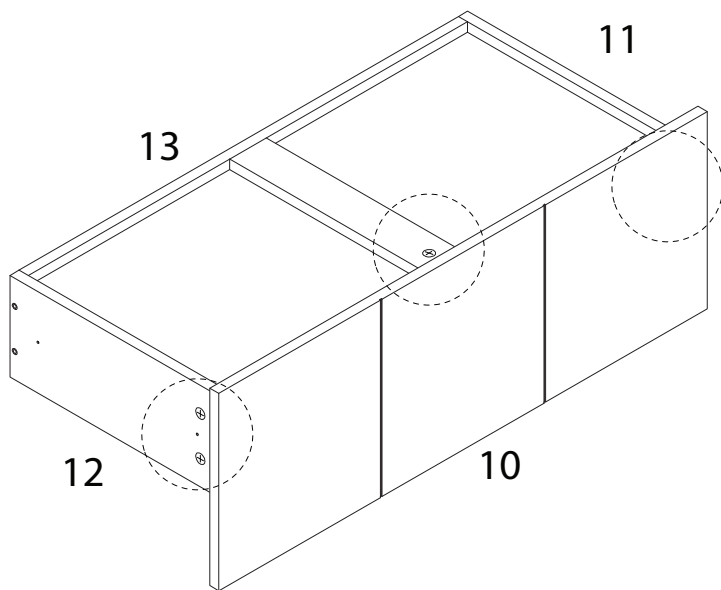
25



26



27

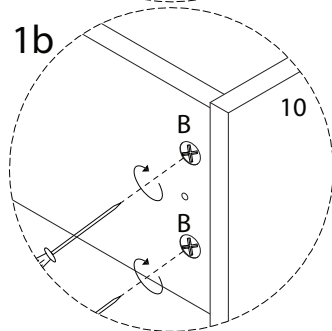
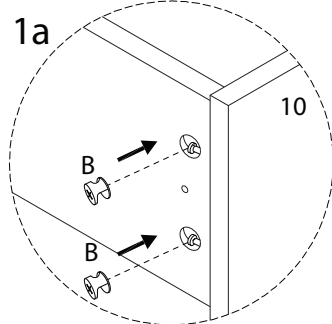
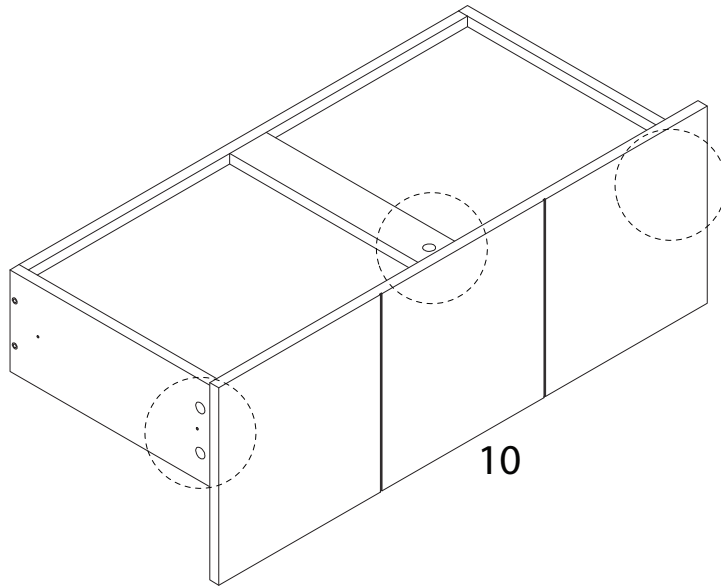


28

B

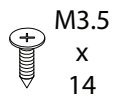


x 5



29

E

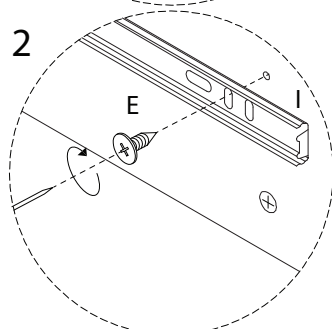
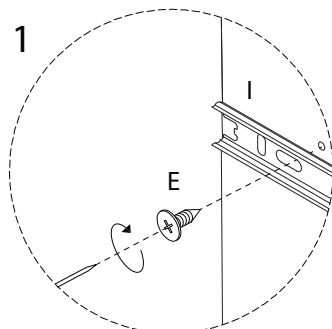
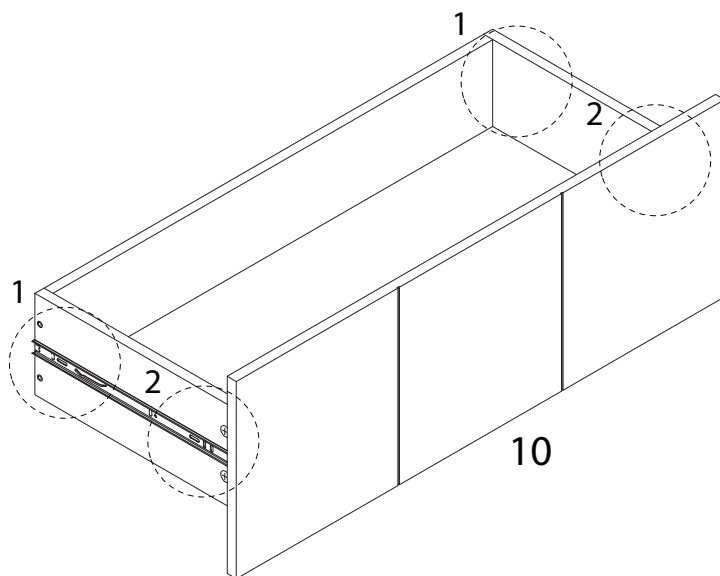


x 4

I

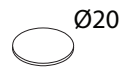


x 2

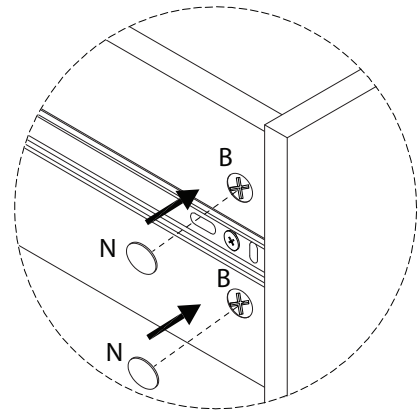
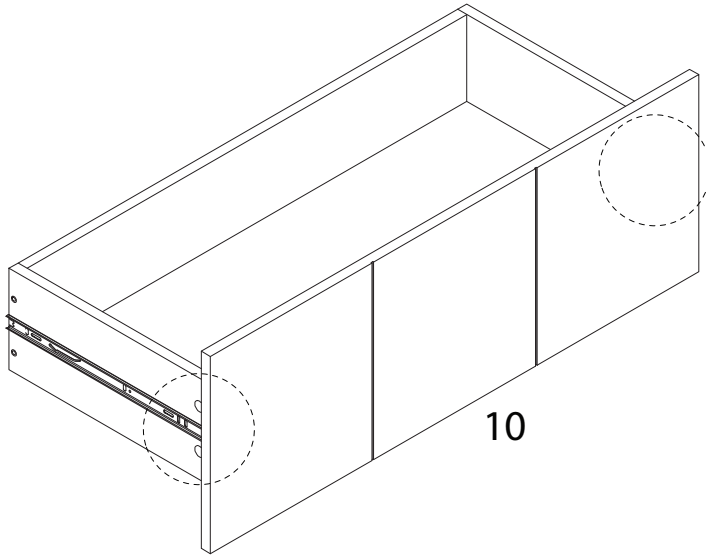


30

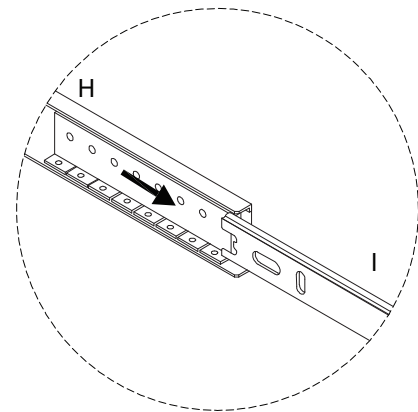
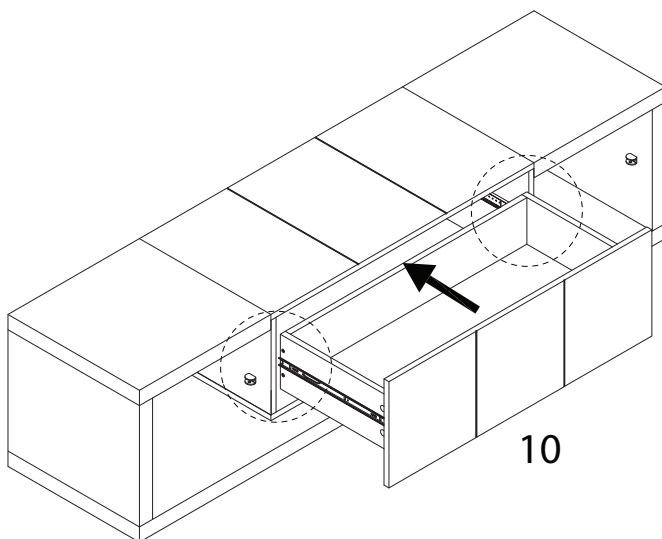
N



x 4

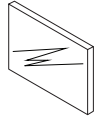


31



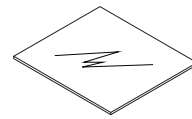
32

16

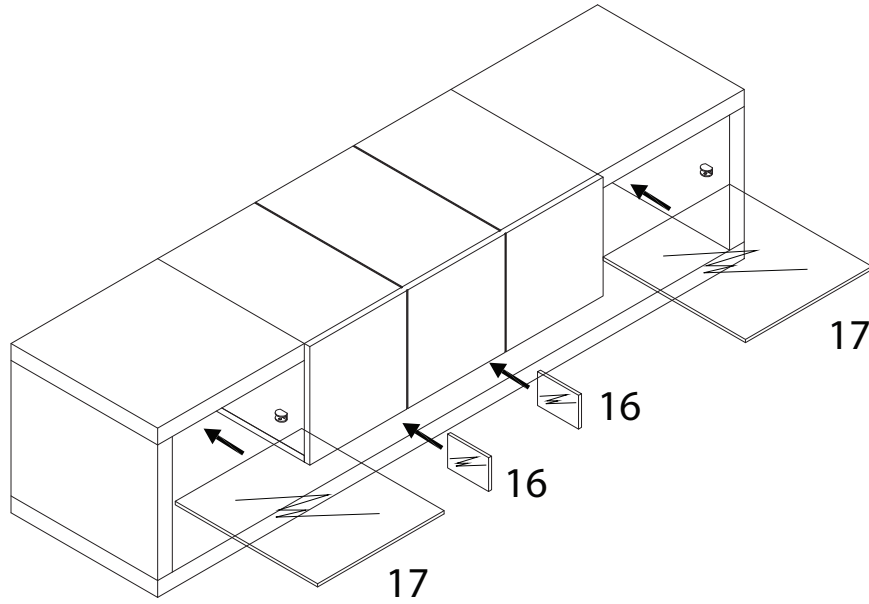


x 2

17



x 2



33

