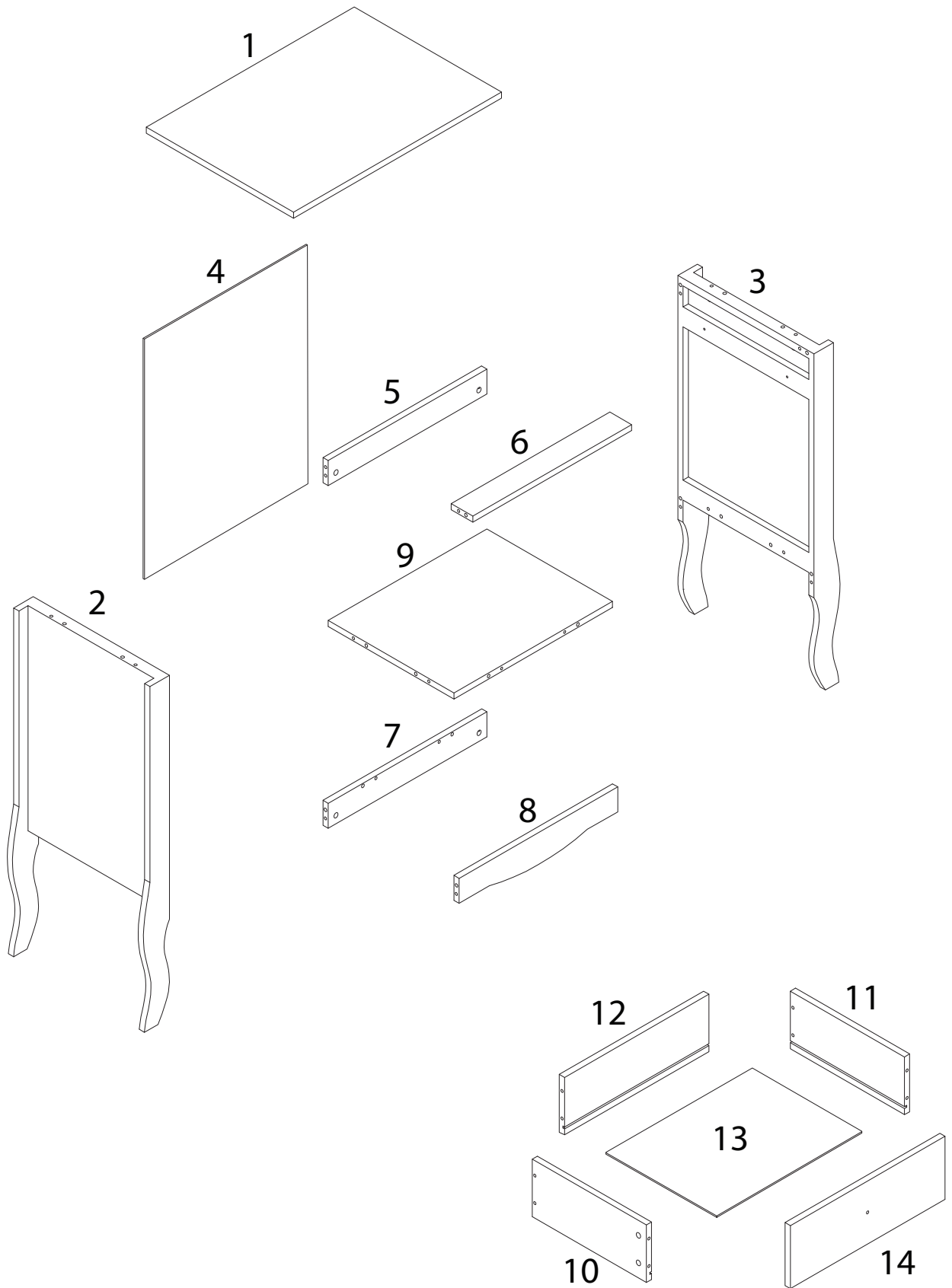
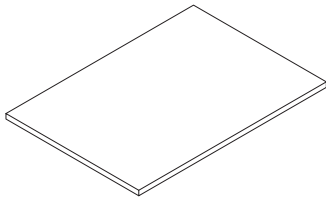


Assembly instructions for step 1/17:

- Tools:** A screwdriver is required. A power drill is not required (indicated by a diagonal line through the drill icon).
- Time:** Estimated assembly time is 30 minutes (indicated by a clock icon).
- Warnings:** Two warning triangles are present, one above each tool icon, indicating potential hazards.
- Personnel:** One person is required for assembly (indicated by a person icon and the number 1).
- Diagram:** The bottom diagram shows a rectangular block being placed on a textured surface. A second diagram shows the block being inserted into a slot, with a diagonal line through it indicating a specific orientation or placement.

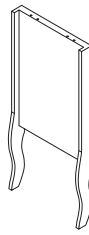


1



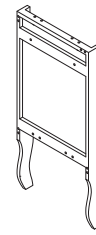
x 1

2



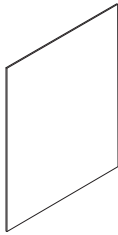
x 1

3



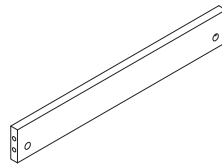
x 1

4



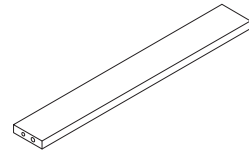
x 1

5



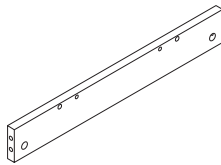
x 1

6



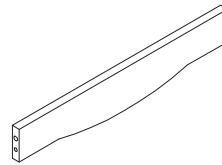
x 1

7



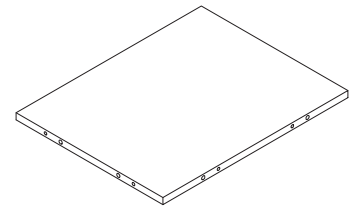
x 1

8



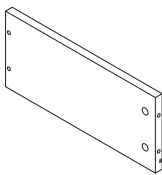
x 1

9



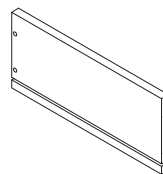
x 1

10



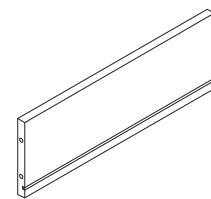
x 1

11



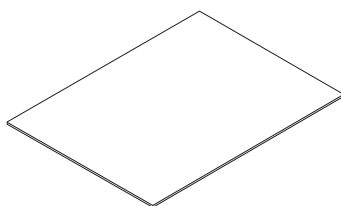
x 1

12



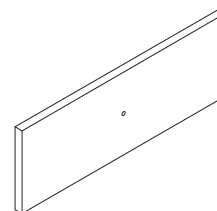
x 1

13



x 1

14



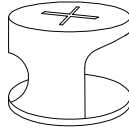
x 1

A



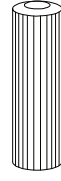
x 24

B



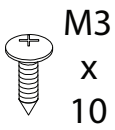
x 24

C



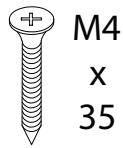
x 20

D



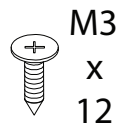
x 16

E



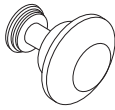
x 4

F



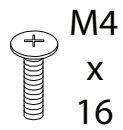
x 8

G



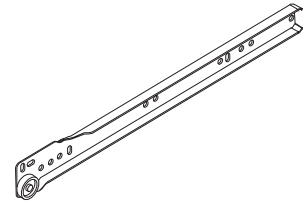
x 1

H



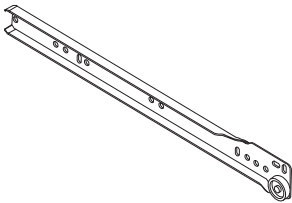
x 1

I



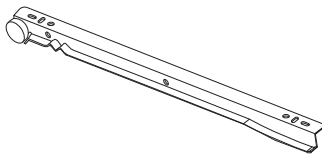
x 1

J



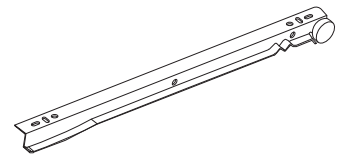
x 1

K



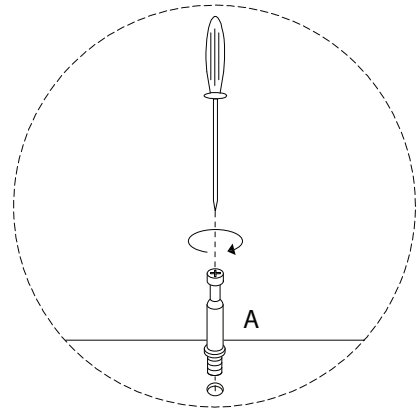
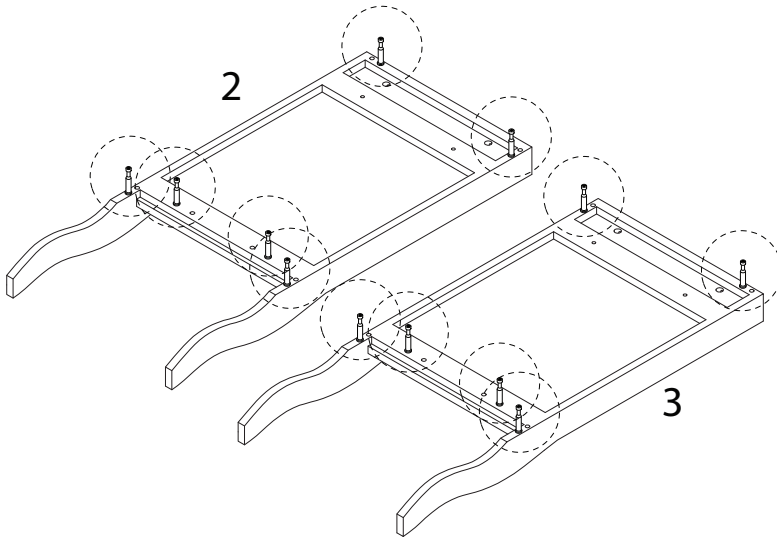
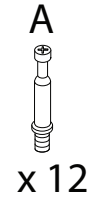
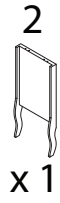
x 1

L

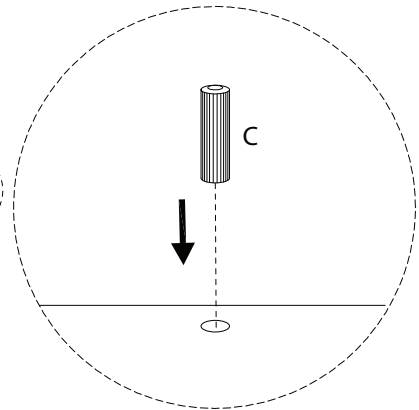
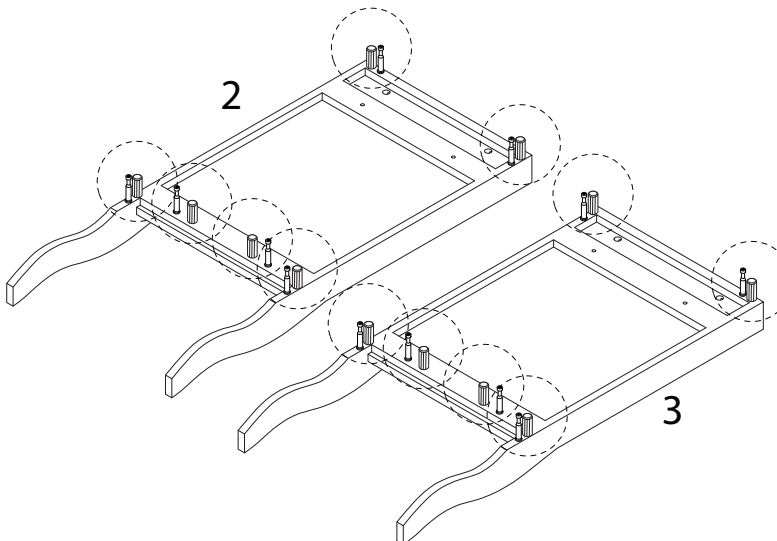
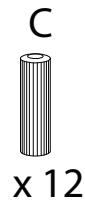


x 1

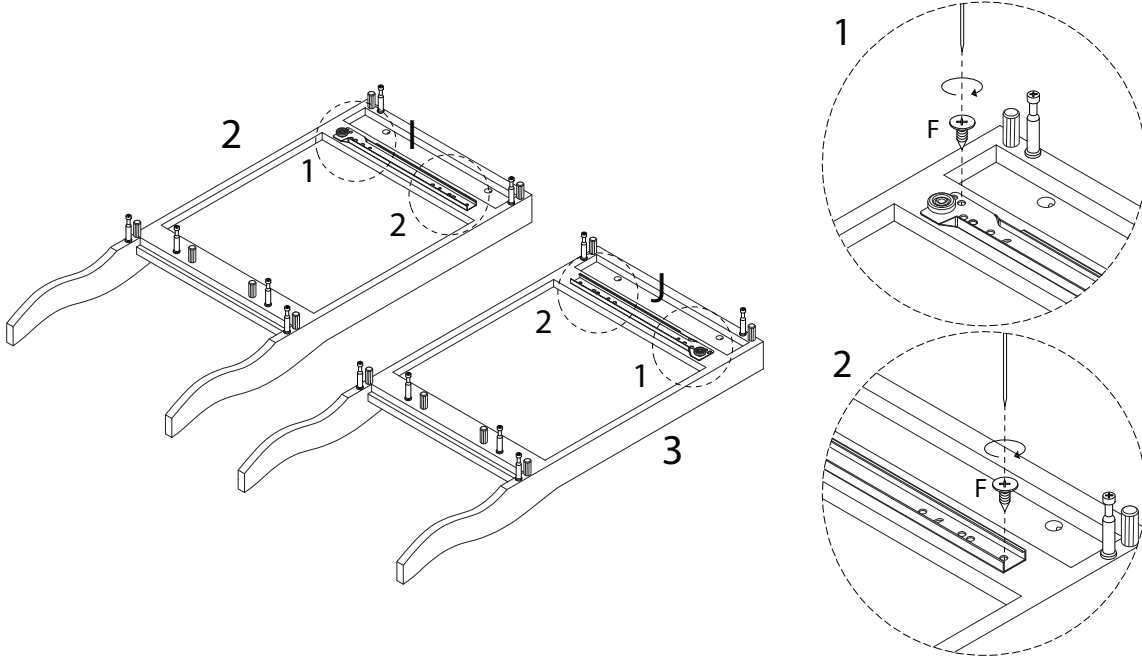
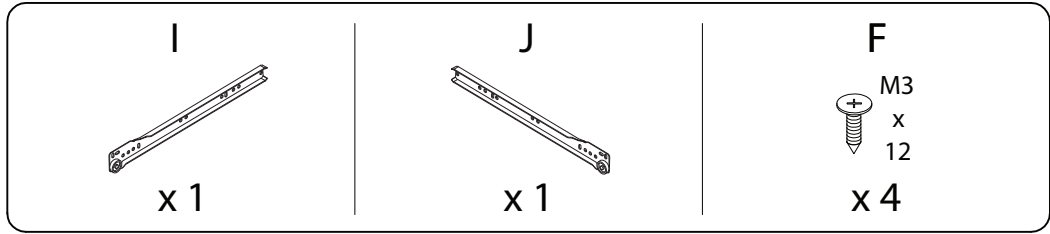
1



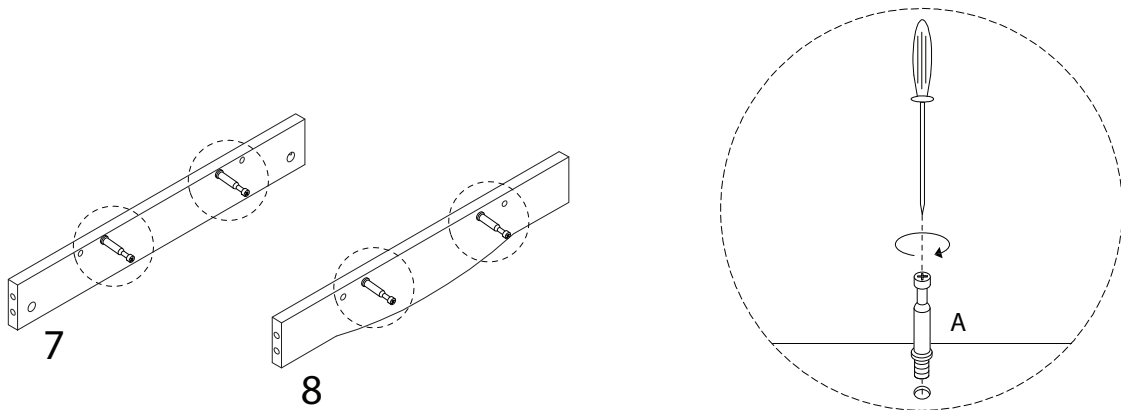
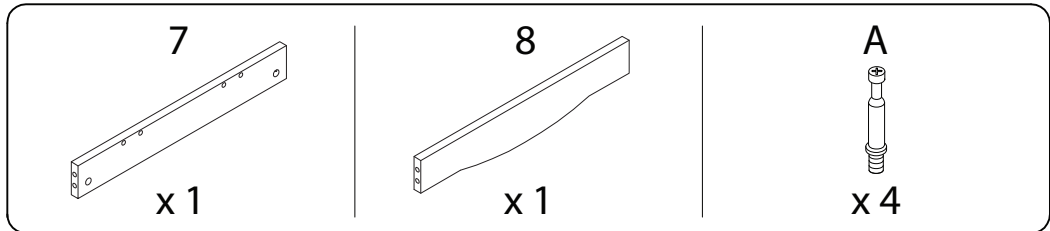
2



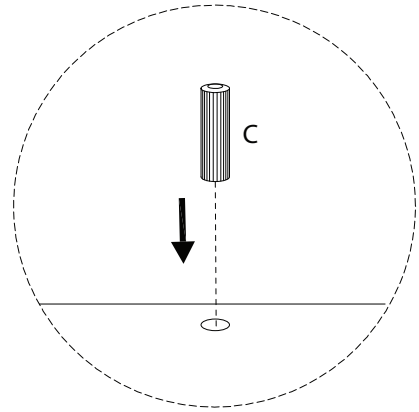
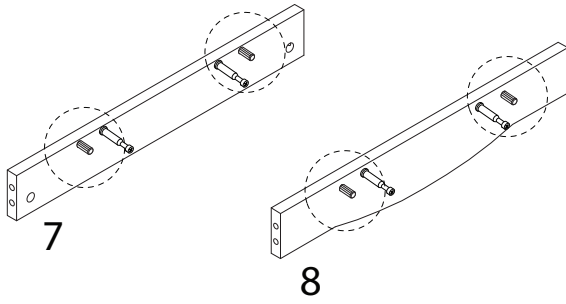
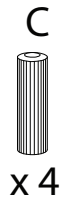
3



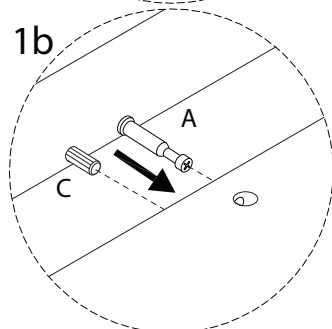
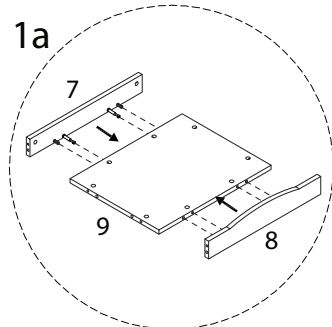
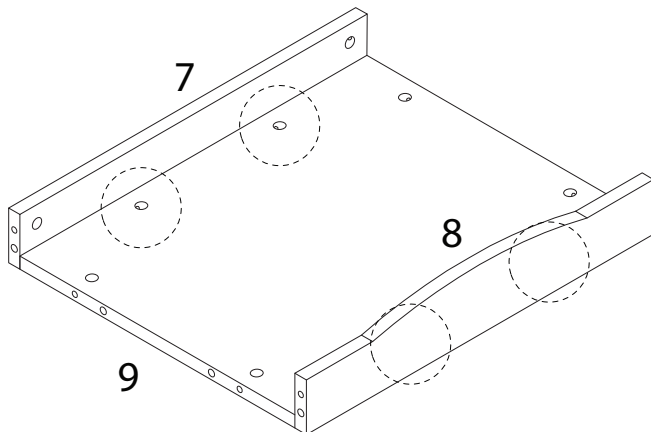
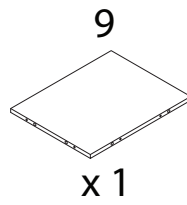
4



5



6

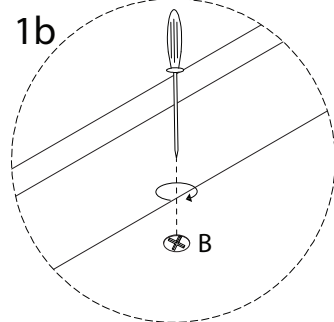
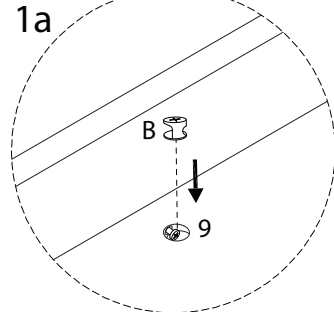
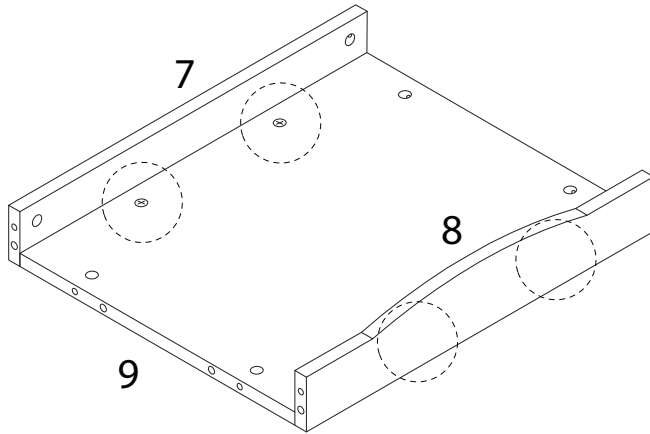


7

B

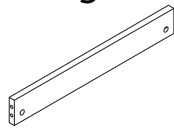


x 4



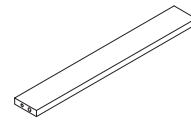
8

5

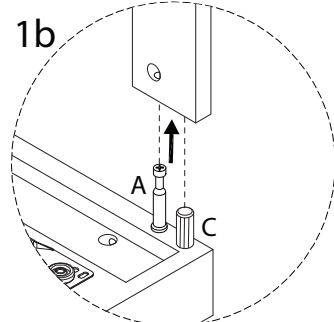
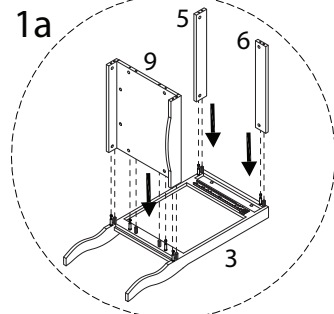
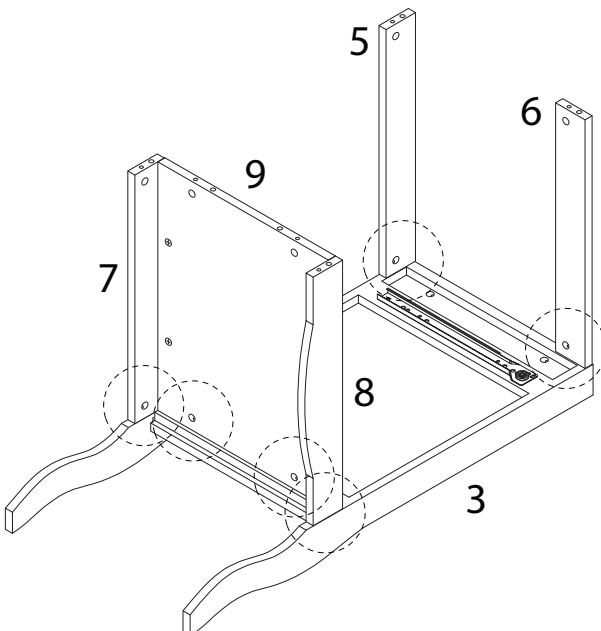


x 1

6



x 1



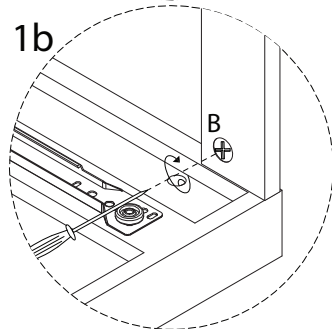
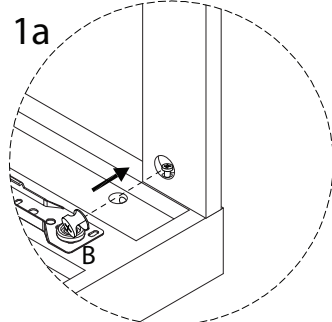
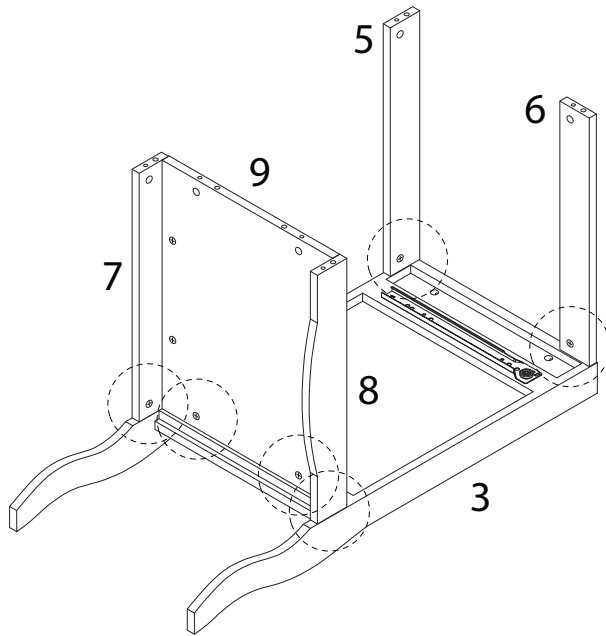


9

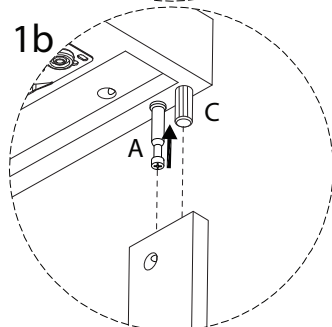
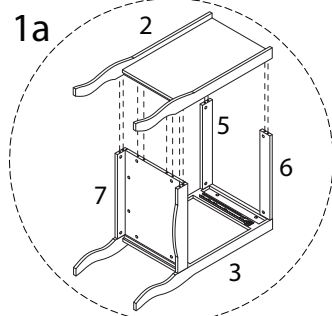
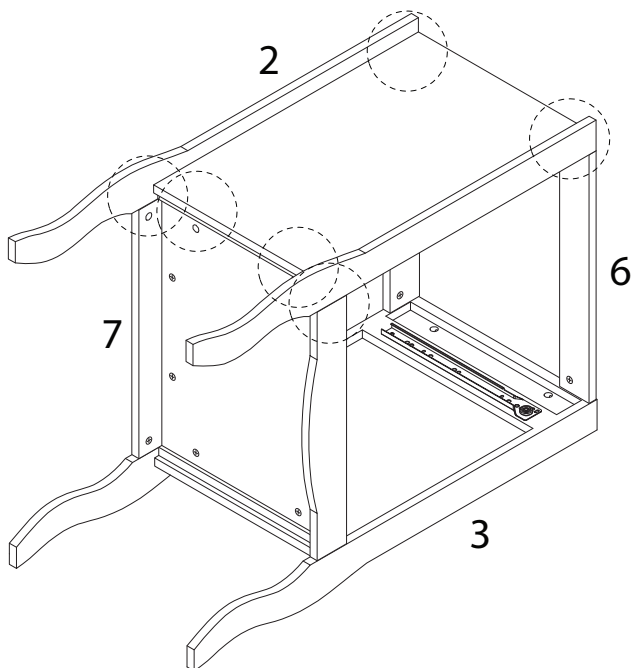
B



x 6



10

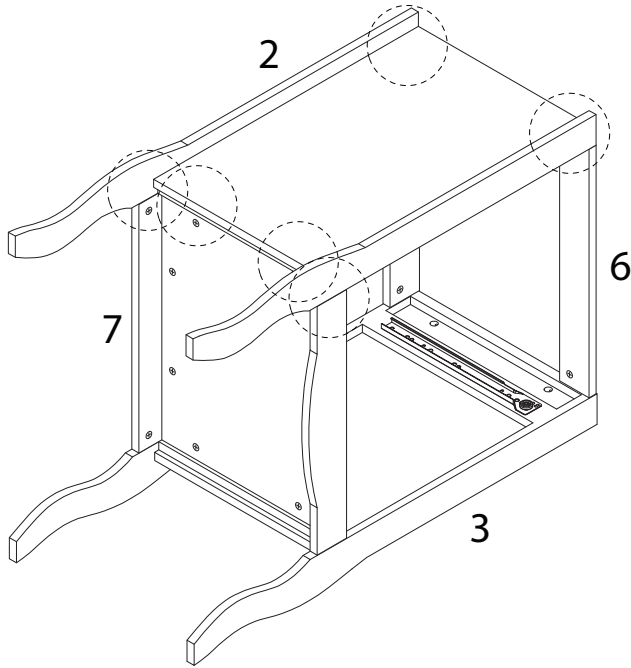


11

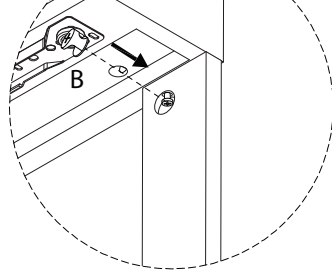
B



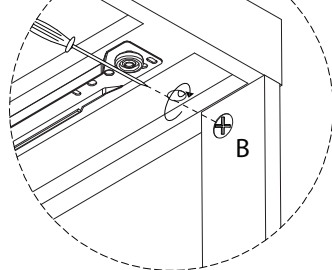
x 6



1a

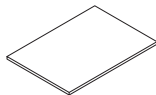


1b



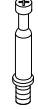
12

1

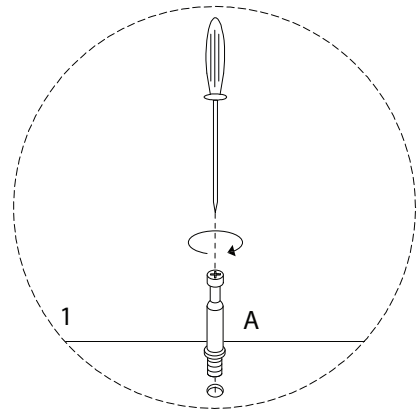
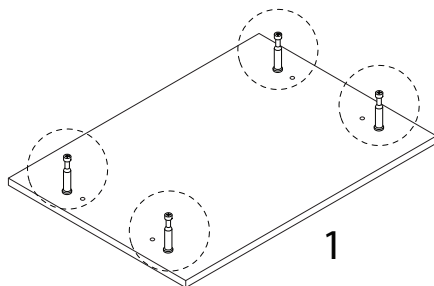


x 1

A

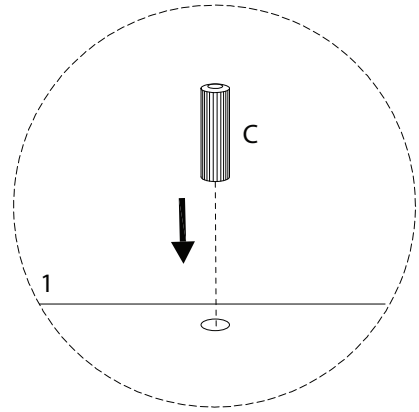
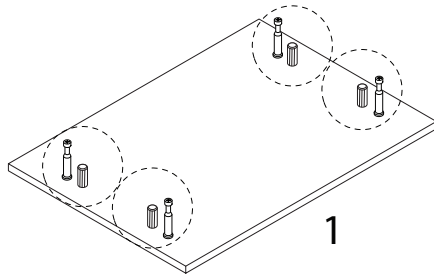


x 4

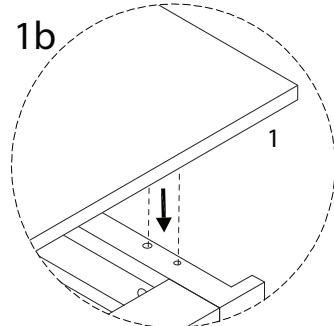
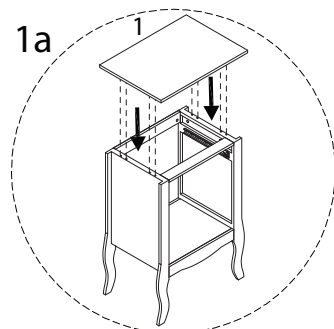
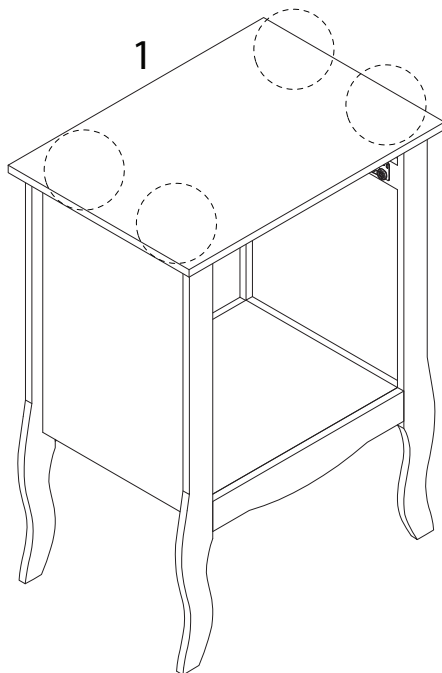


13

C  
x 4



14

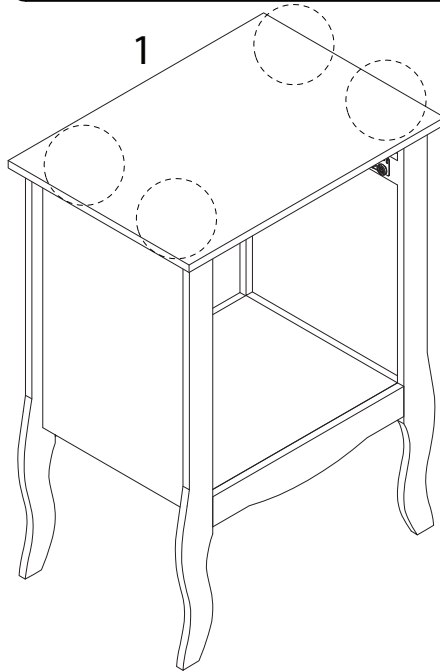


15

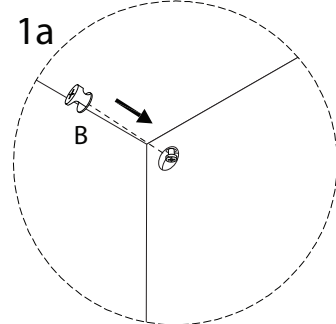
B



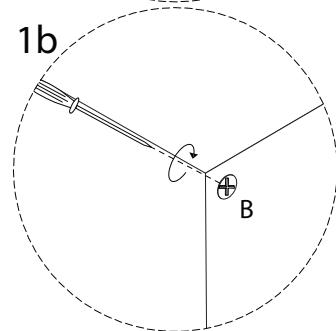
x 4



1a

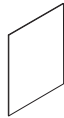


1b



16

4

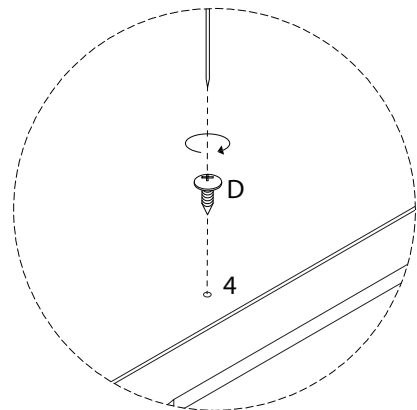
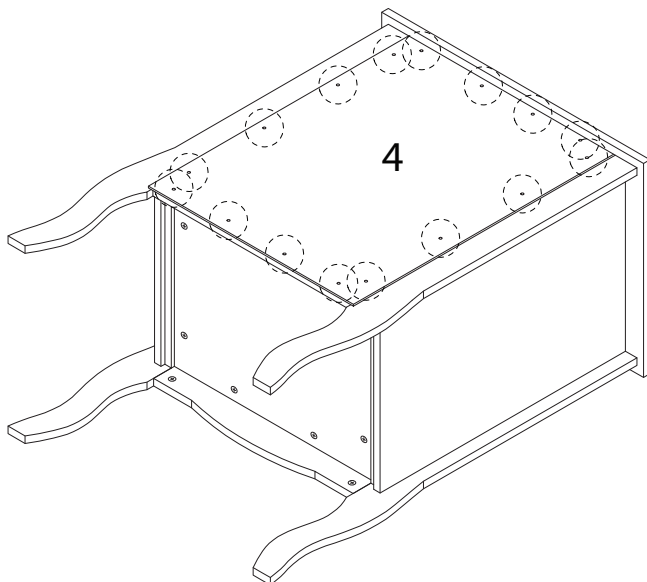


x 1

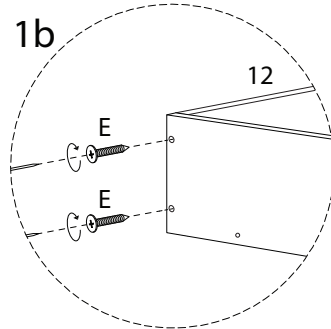
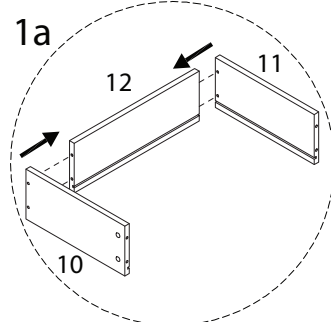
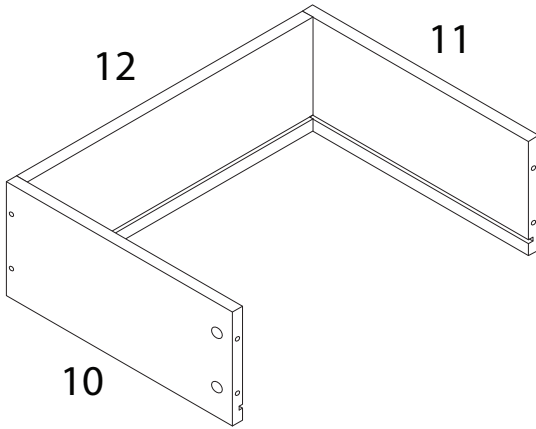
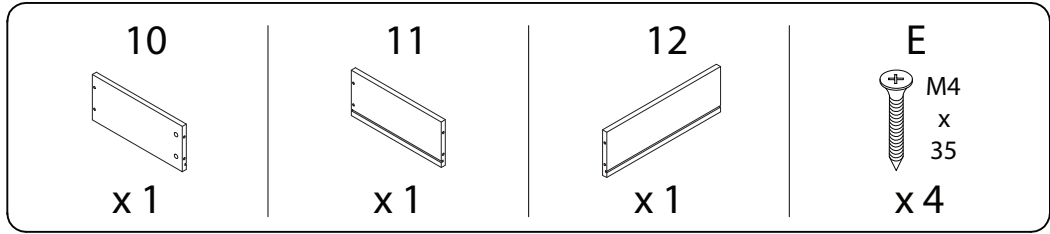
D



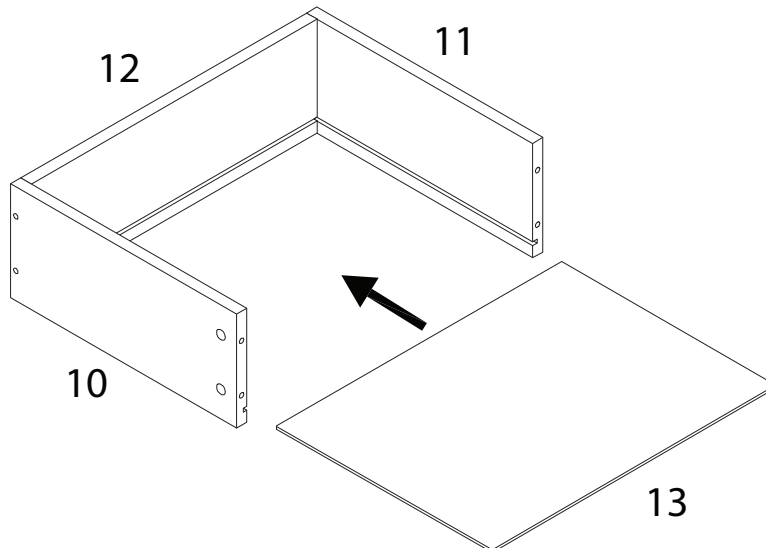
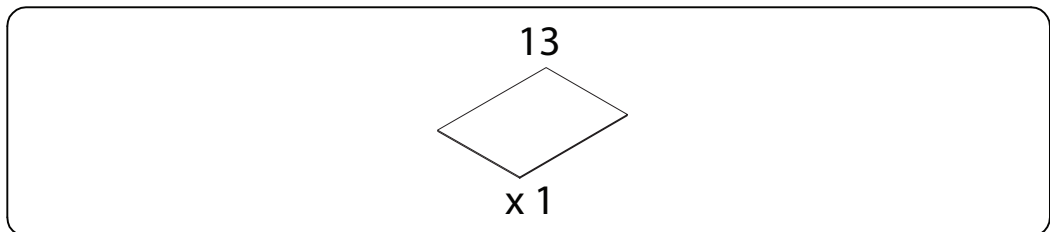
x 16



17

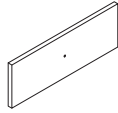


18



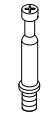
19

14

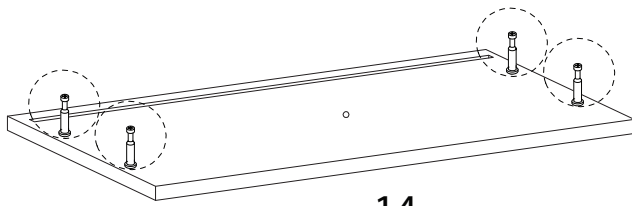


x 1

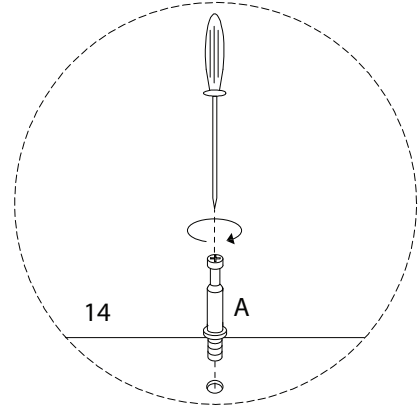
A



x 4

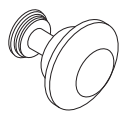


14



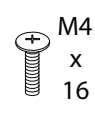
20

G

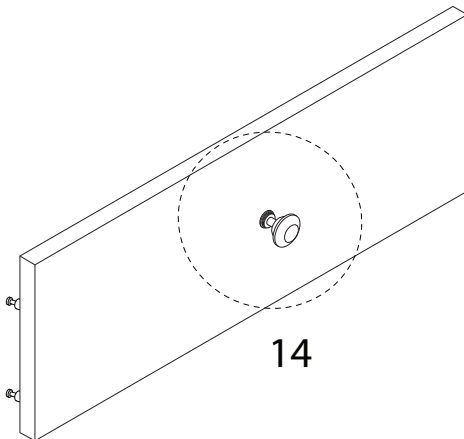


x 1

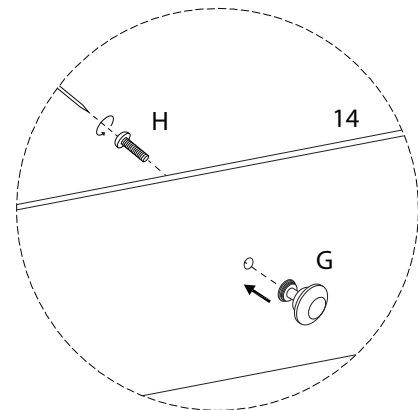
H



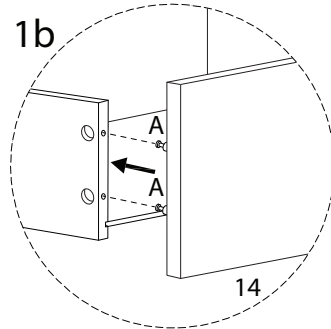
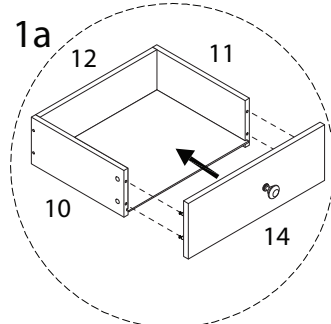
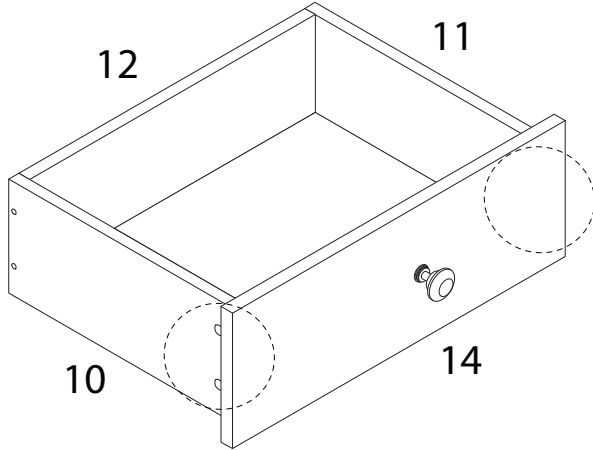
x 1



14



21

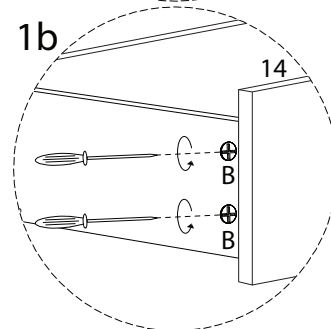
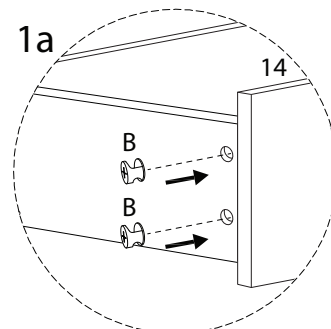
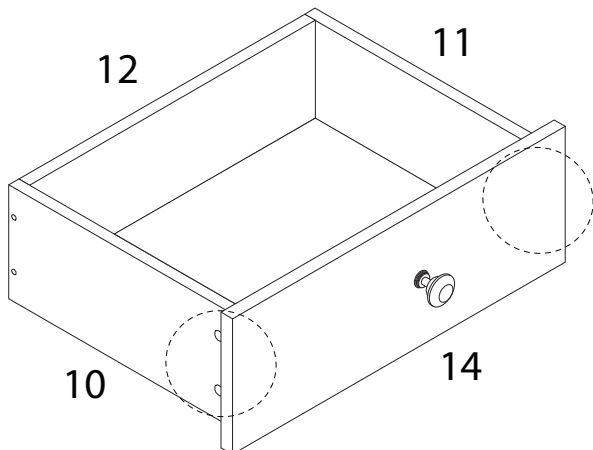


22

B



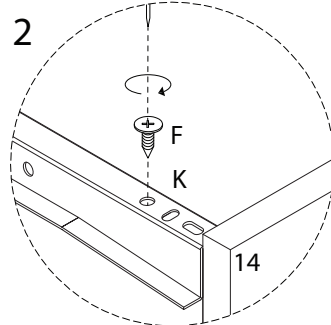
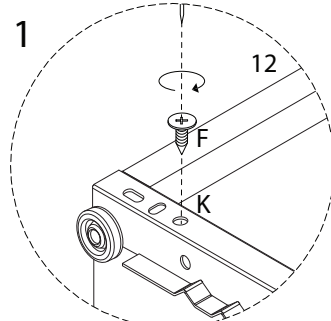
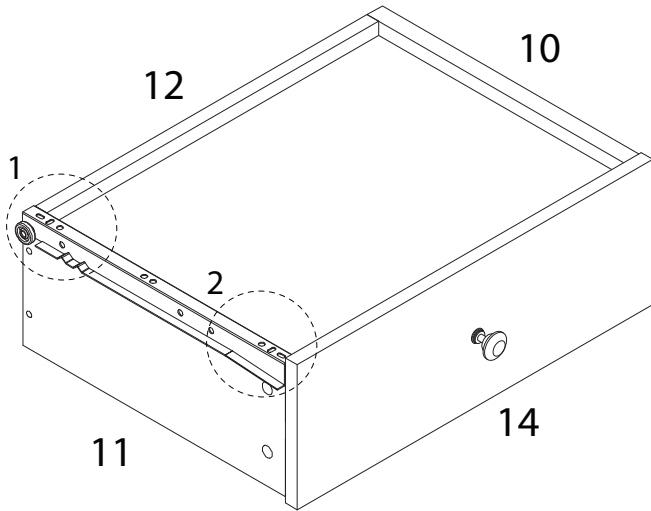
x 4



23

F  
M3  
x  
12  
x 2

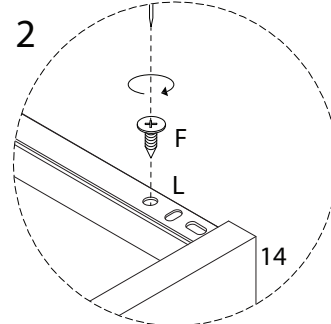
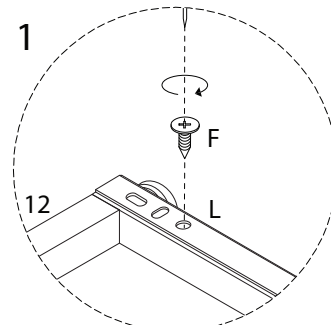
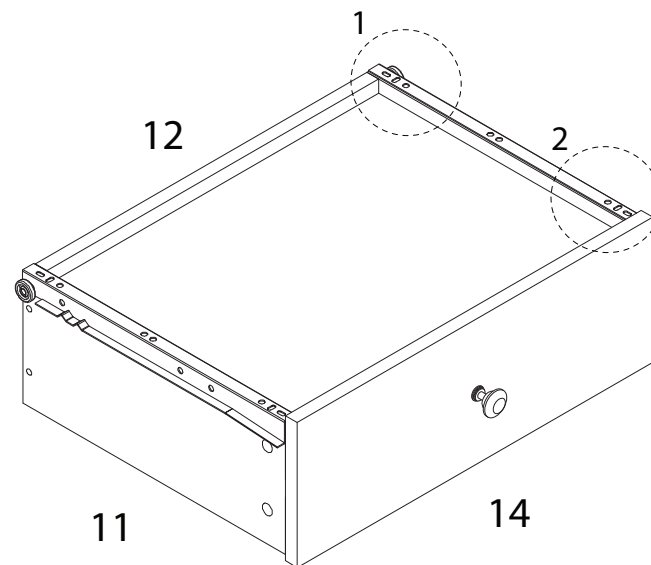
K  
x 1



24

F  
M3  
x  
12  
x 2

L  
x 1





25

