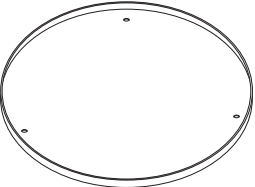
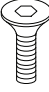
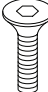
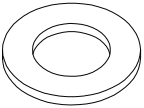
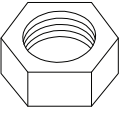

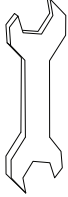





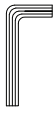

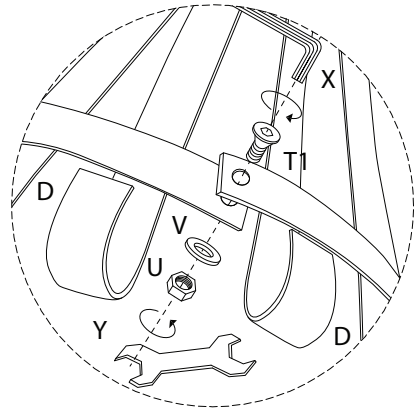
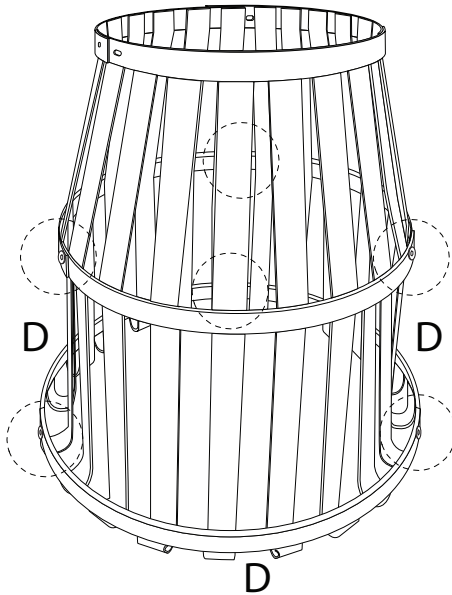


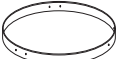



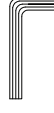

<p>G</p>  <p>x 1</p>	<p>T1</p>  <p>M6 x 15</p> <p>x 12</p>	<p>T2</p>  <p>M6 x 20</p> <p>x 3</p>	<p>U</p>  <p>x 15</p>
<p>V</p>  <p>x 15</p>	<p>X</p>  <p>x 1</p>	<p>Y</p>  <p>x 1</p>	<p>Z</p>  <p>x 1</p>

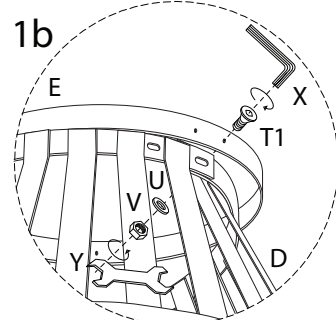
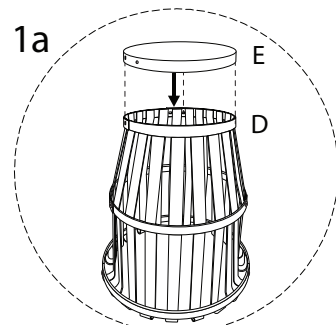
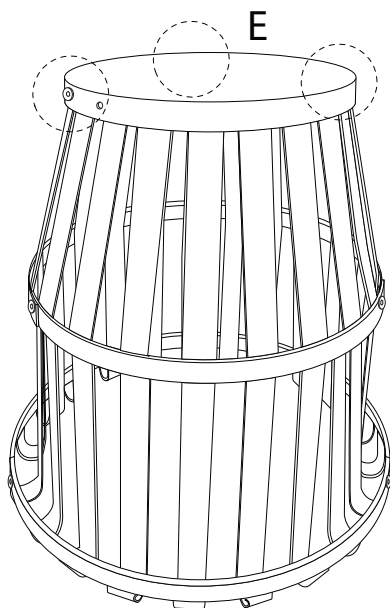
1

D  x 3	T1  x 6	U  x 6	V  x 6	X  x 1	Y  x 1
--	---	--	---	--	--




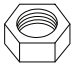
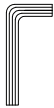
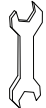


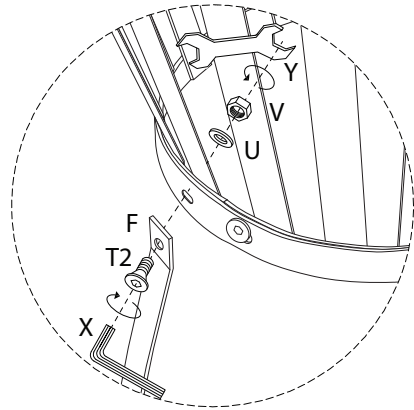
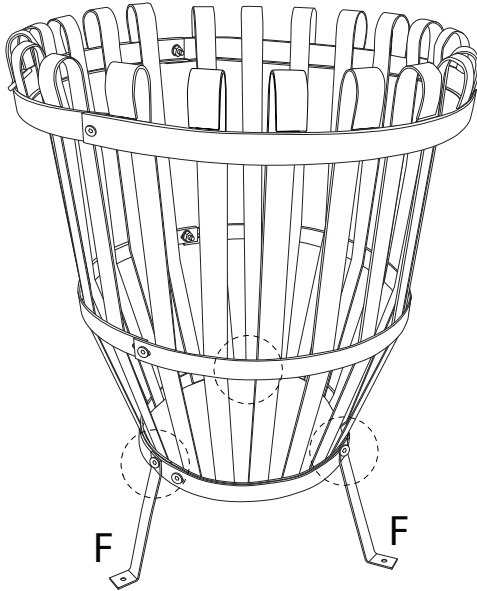
2

E  x 1	T1  x 3	U  x 3	V  x 3	X  x 1	Y  x 1
--	---	--	---	--	--

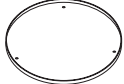


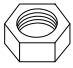
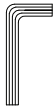
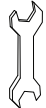


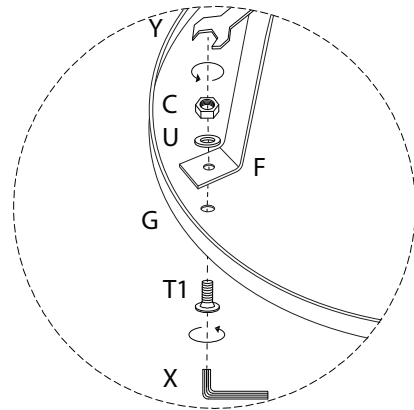
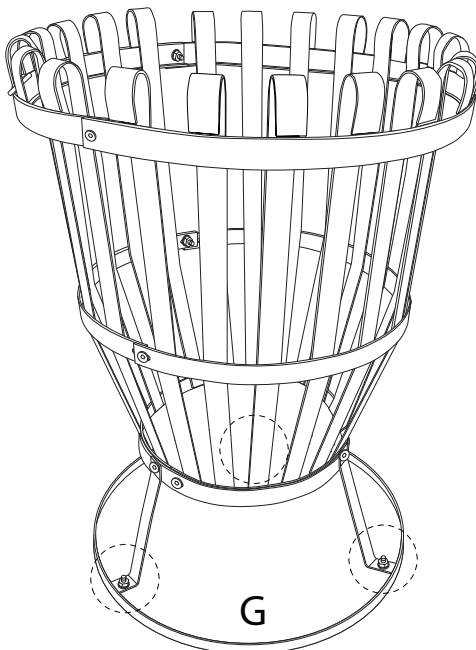
3

F  x 3	T2 M6 x 20  x 3	U  x 3	V  x 3	X  x 1	Y  x 1
---	---	---	--	---	---

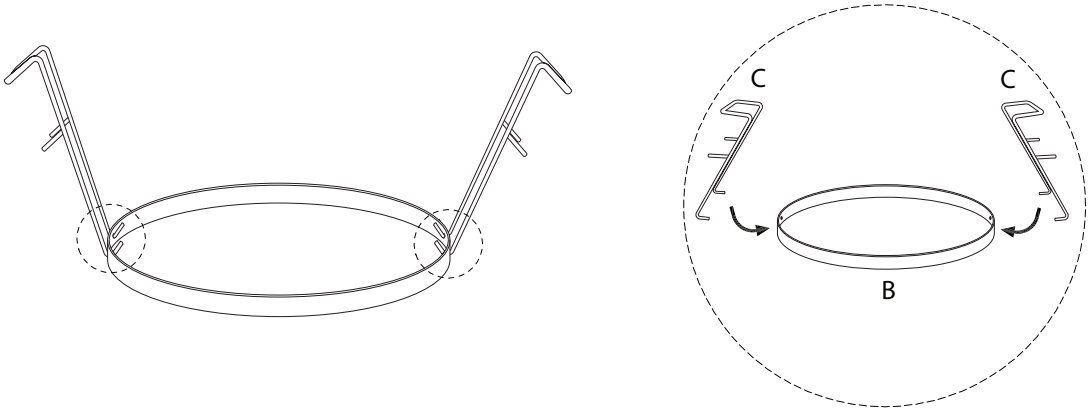
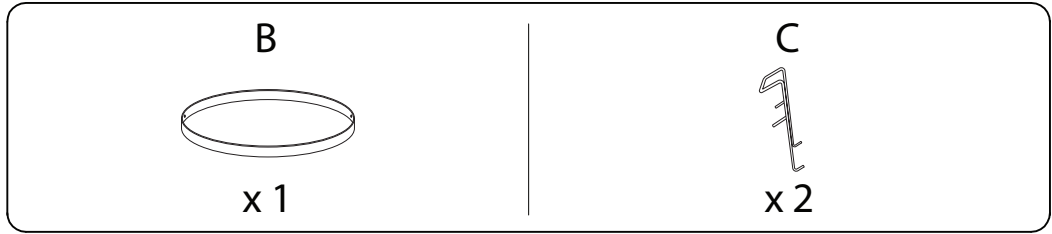


4

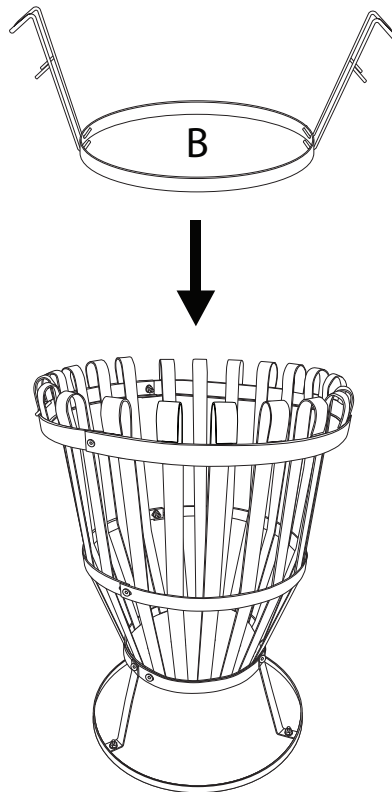
G  x 1	T1 M6 x 15  x 3	U  x 3	C  x 3	X  x 1	Y  x 1
---	---	---	--	---	---



5



6



7

