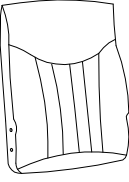
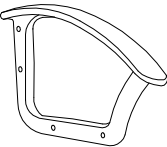

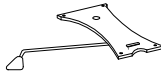
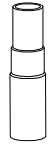

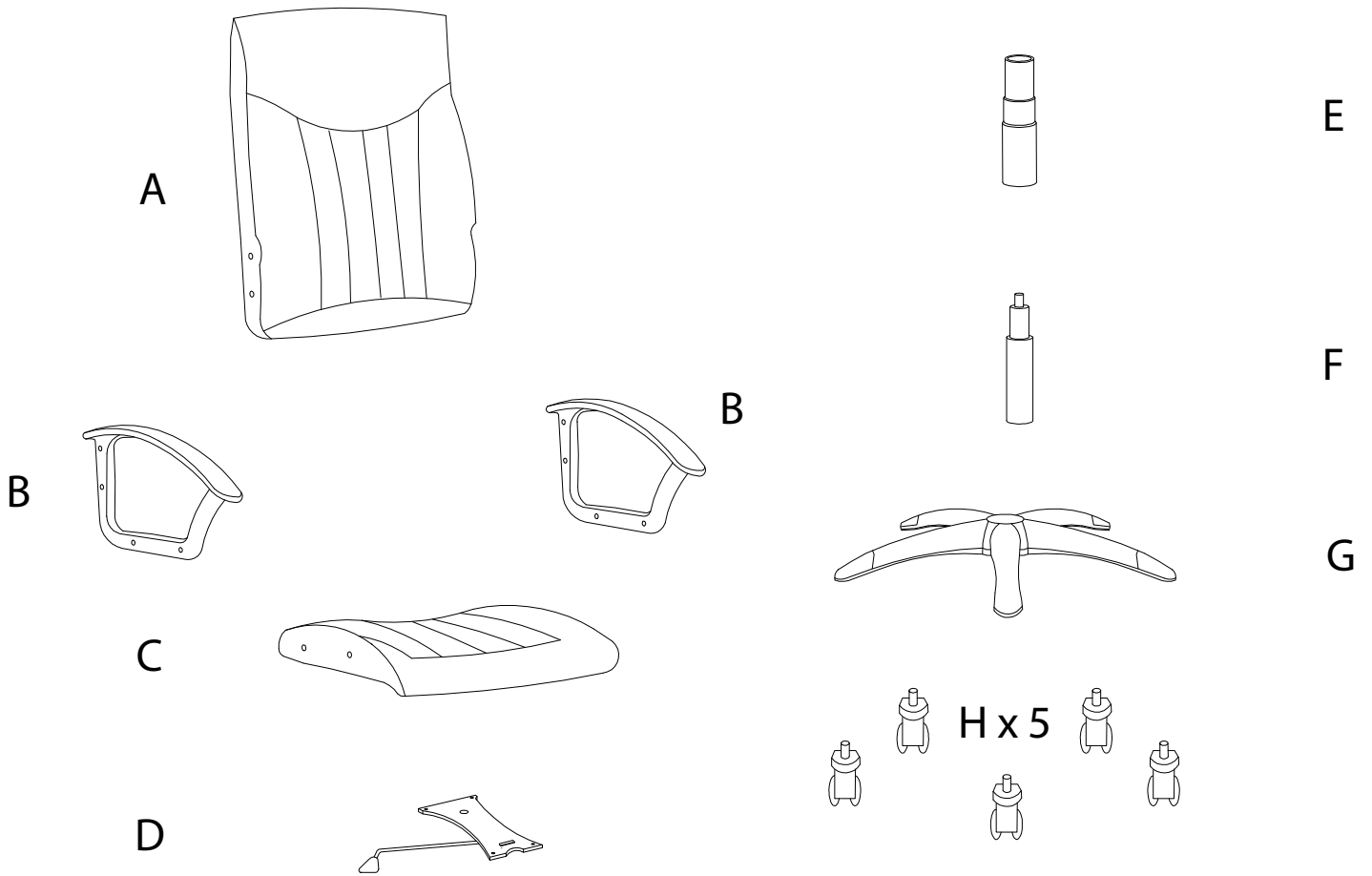





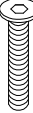

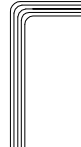


Diagram illustrating assembly instructions and safety warnings:

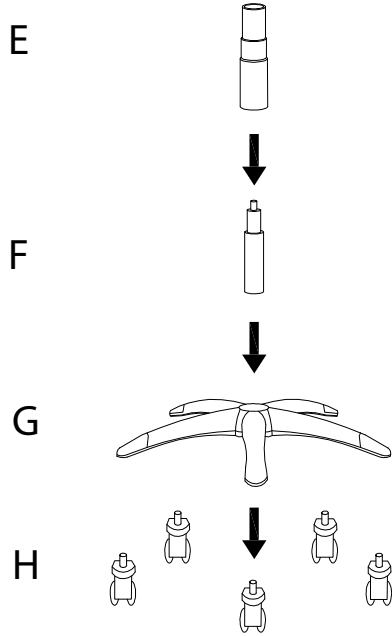
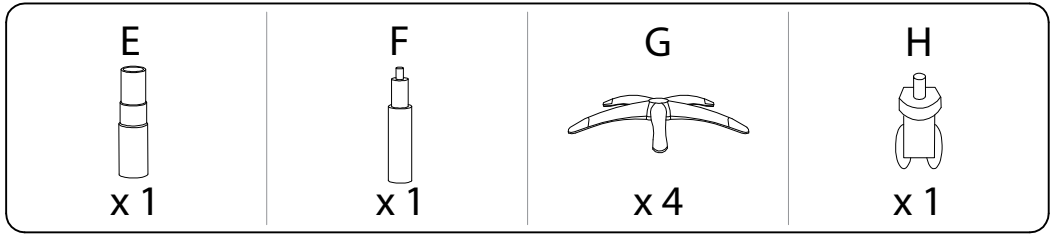
- Warning 1:** A triangle with an exclamation mark. To its left, a box contains an L-shaped bracket and a crossed-out power drill, indicating that a power drill should not be used to install this bracket.
- Warning 2:** A triangle with an exclamation mark. To its left, a box contains a rectangular block being placed on a surface and a crossed-out block with a screw, indicating that a screw should not be used to secure the block.
- Time:** A clock icon with the text "30'" below it, indicating a 30-minute assembly time.
- Person:** A person icon with the text "1" below it, indicating that one person is required for assembly.

A	B	C	D	E	F
					
x 1	x 2	x 1	x 1	x 1	x 1

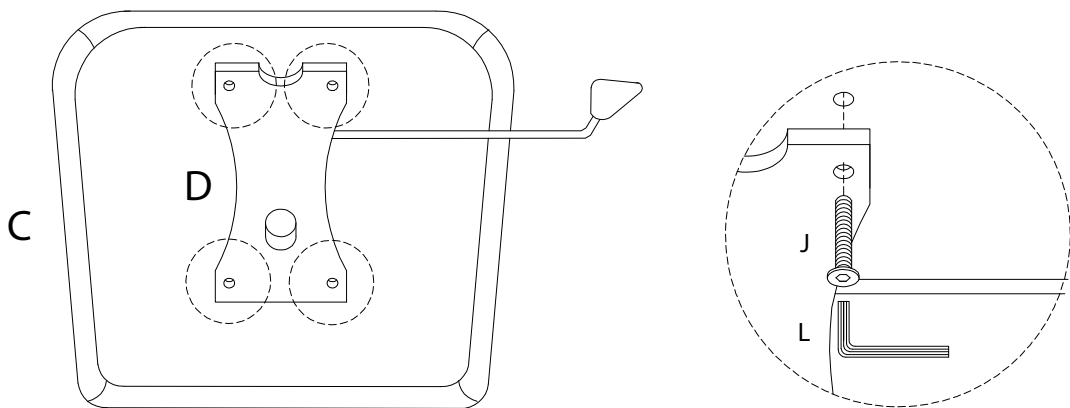
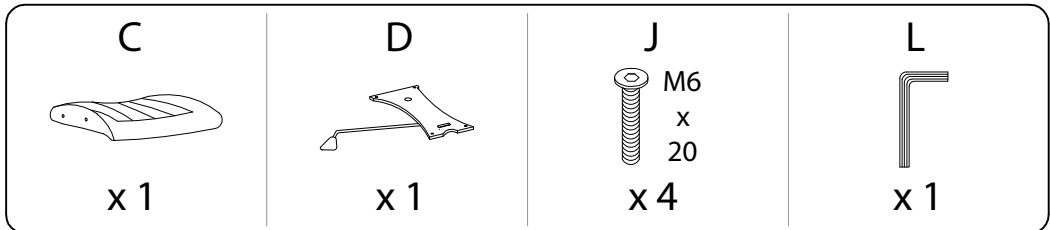


G	H	I	J	K	L
			 M6 x 20	 M8 x 30	
x 1	x 5	x 8	x 4	x 8	x 1

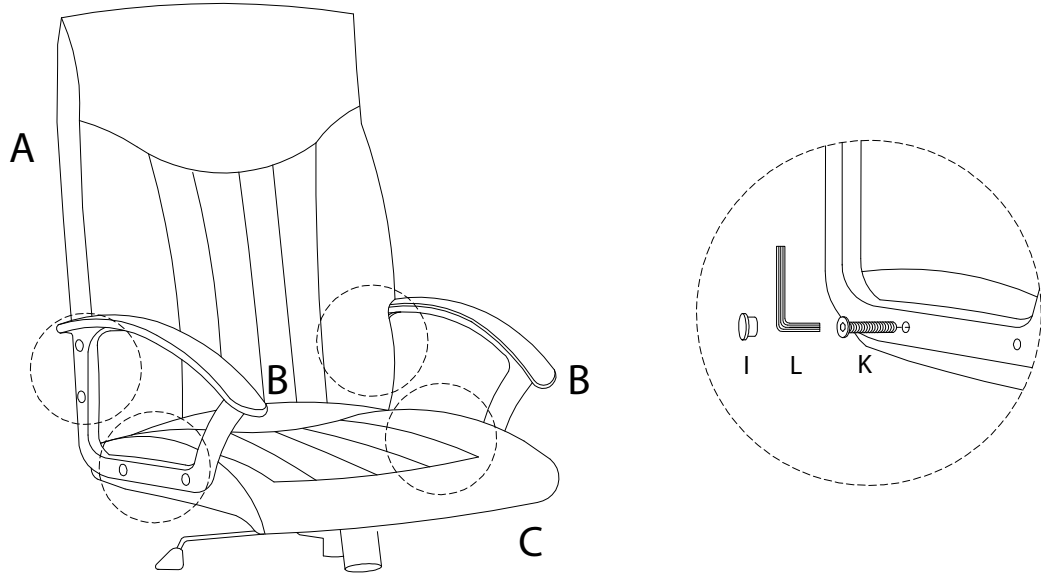
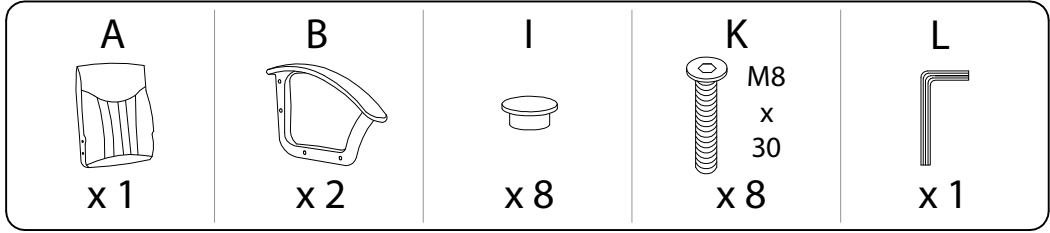
1



2



3



4

