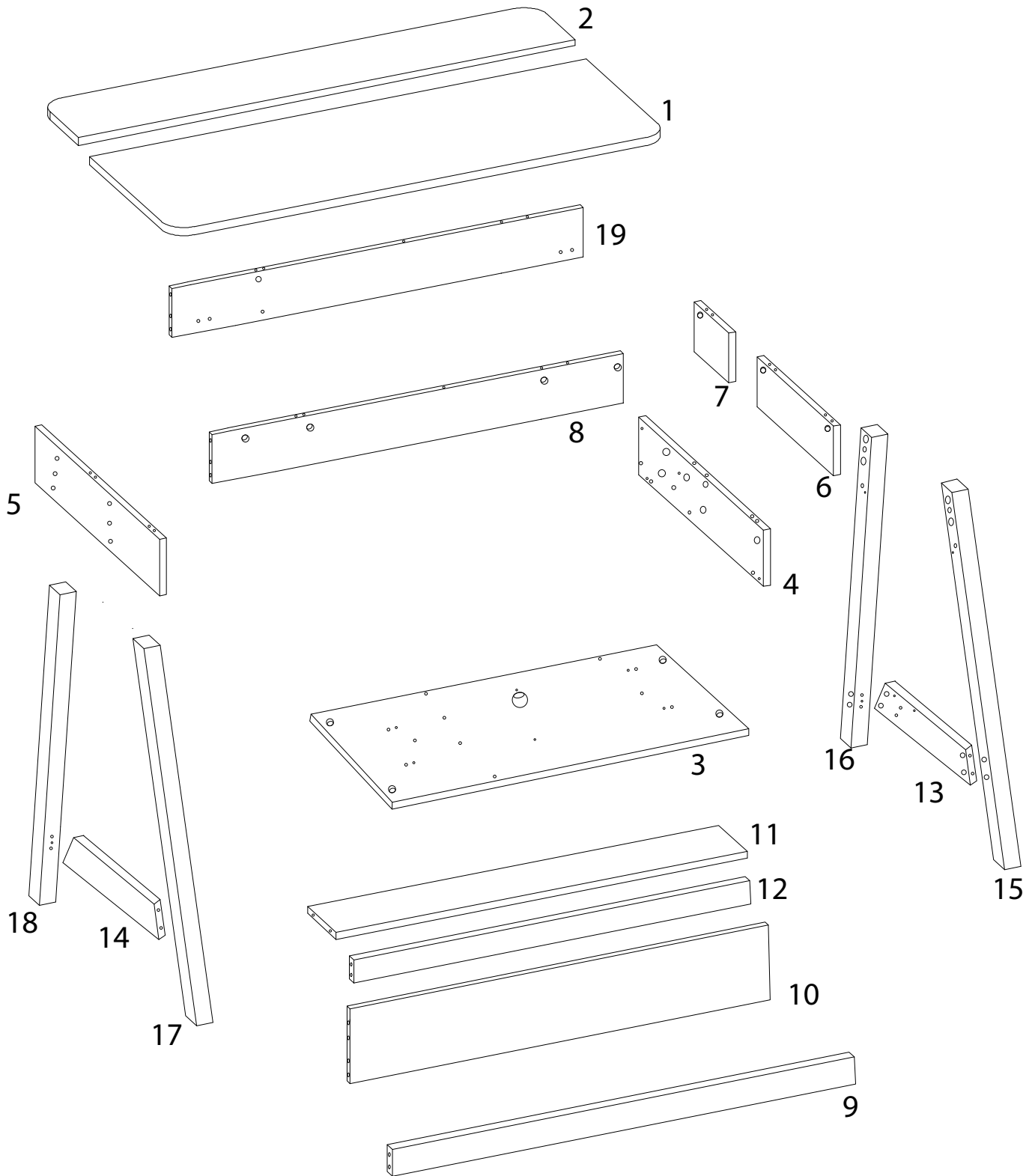
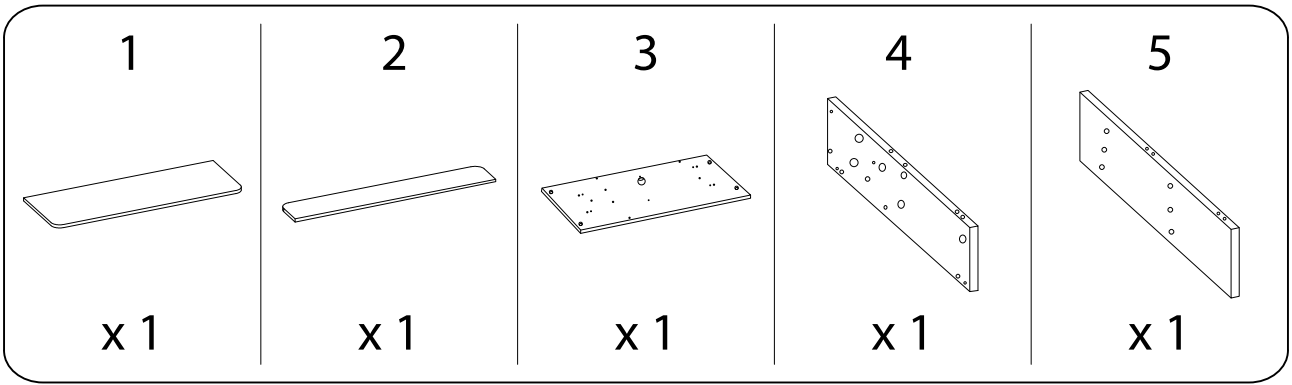
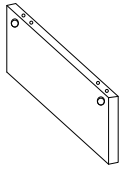


A circular icon containing a hammer and a screwdriver. To the right of this circle is a power drill with a diagonal line through it, indicating it should not be used.		
A circular icon containing a cushion on a mat. To the right of this circle is a diagram of a block with a diagonal line through it, indicating it should not be used.		
		60'
		2

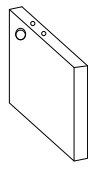


6



x 1

7



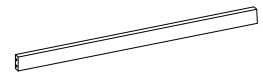
x 1

8



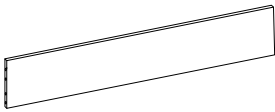
x 1

9



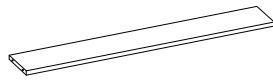
x 1

10



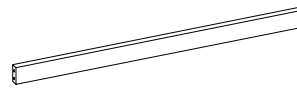
x 1

11



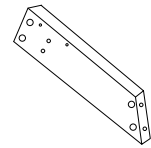
x 1

12



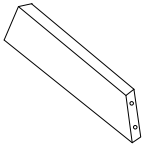
x 1

13



x 1

14



x 1

15



x 1

16



x 1

17



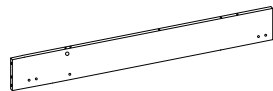
x 1

18



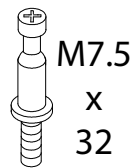
x 1

19



x 1

A



M7.5
x
32

x 33

B



M15
x
12

x 41

C



M25

x 16

D



M7.8
x
32

x 52

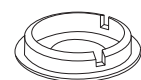
E



M7.8
x
40

x 4

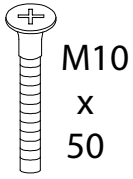
F



M17

x 8

G



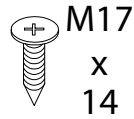
x 7

H



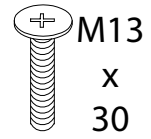
x 2

J



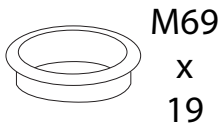
x 4

K



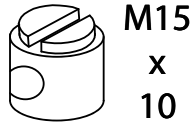
x 8

L



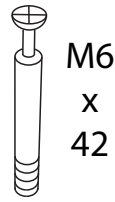
x 1

M



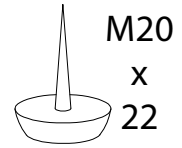
x 8

N



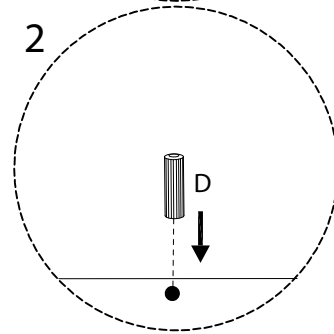
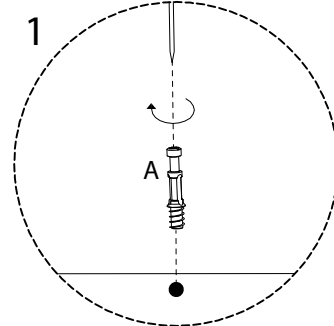
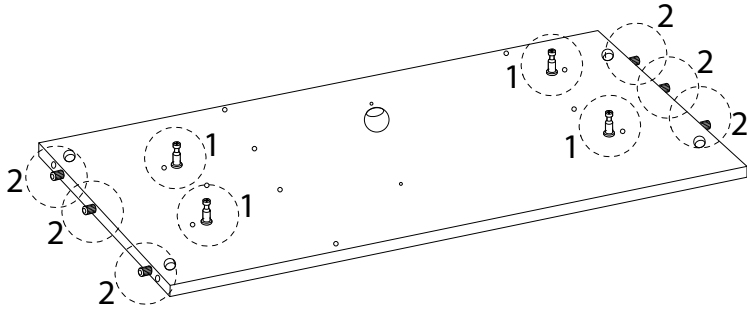
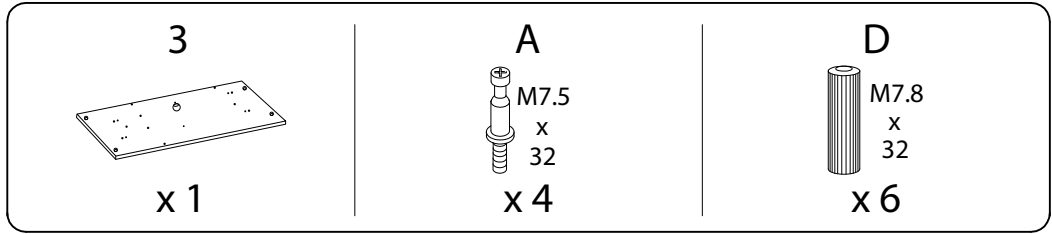
x 8

P

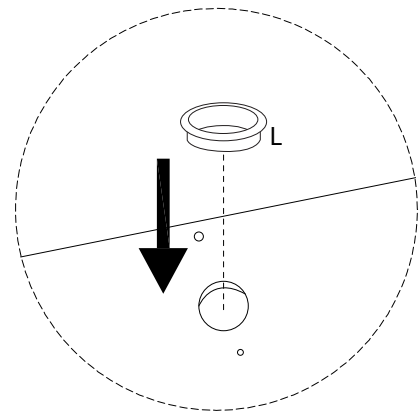
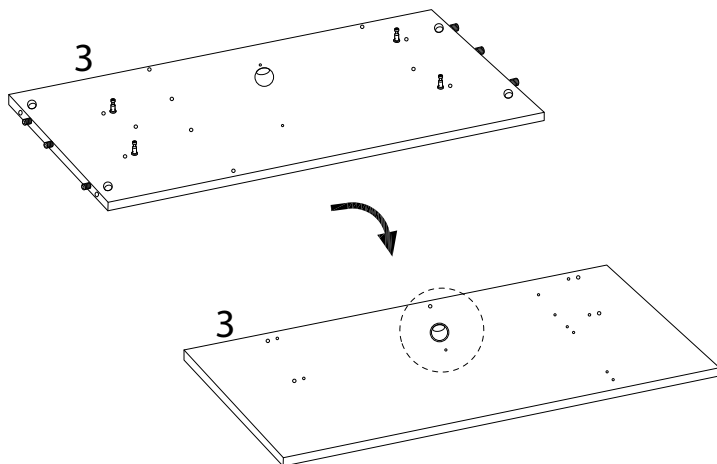
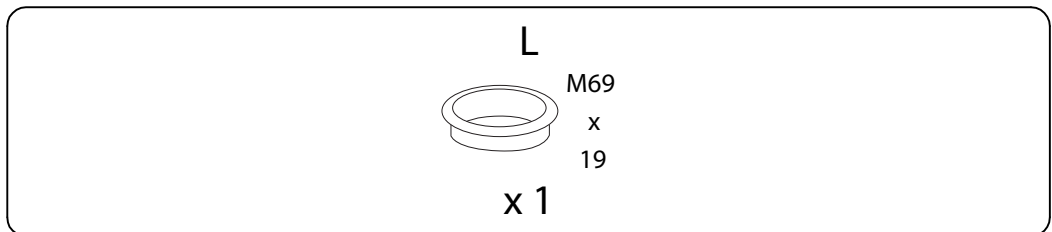


x 4

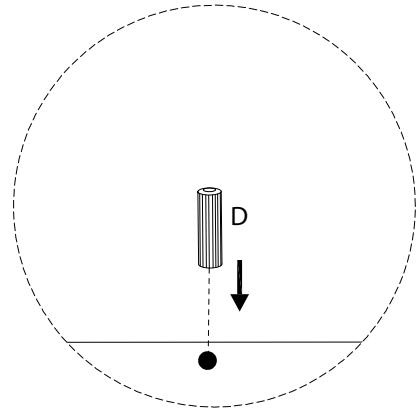
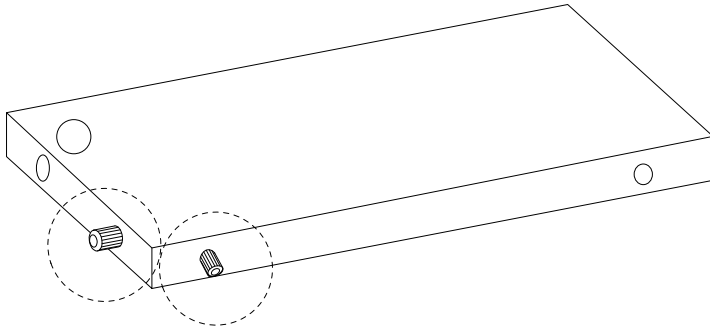
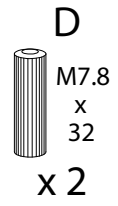
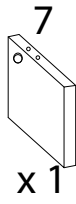
1



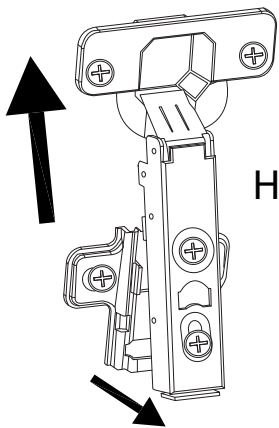
2



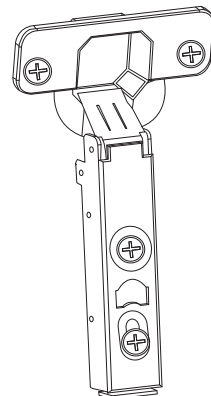
3



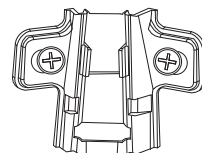
!



H






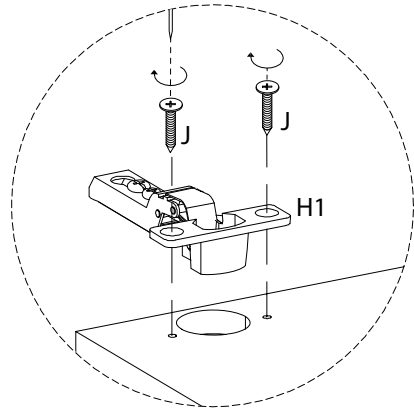
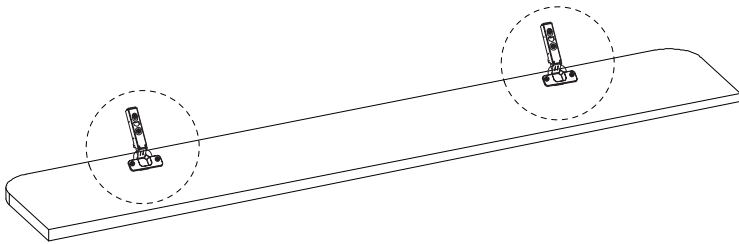
H1



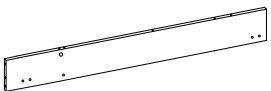

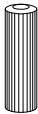
H2

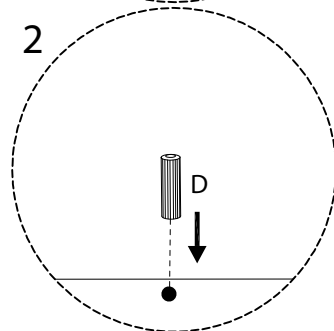
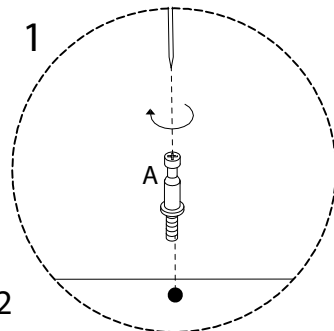
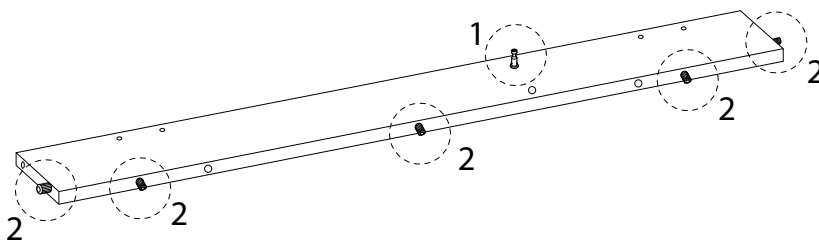
4

2  x 1	H1  x 2	J  M17 x 14 x 4
---	--	---



5

19  x 1	A  M7.5 x 32 x 1	D  M7.8 x 32 x 5
--	--	--

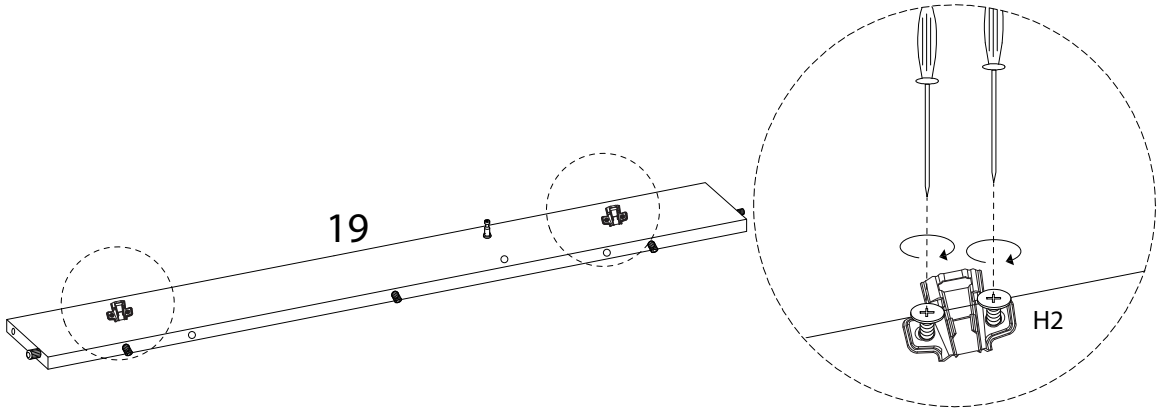


6

H2

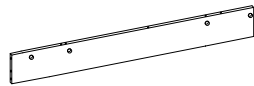


x 2



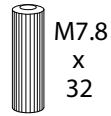
7

8

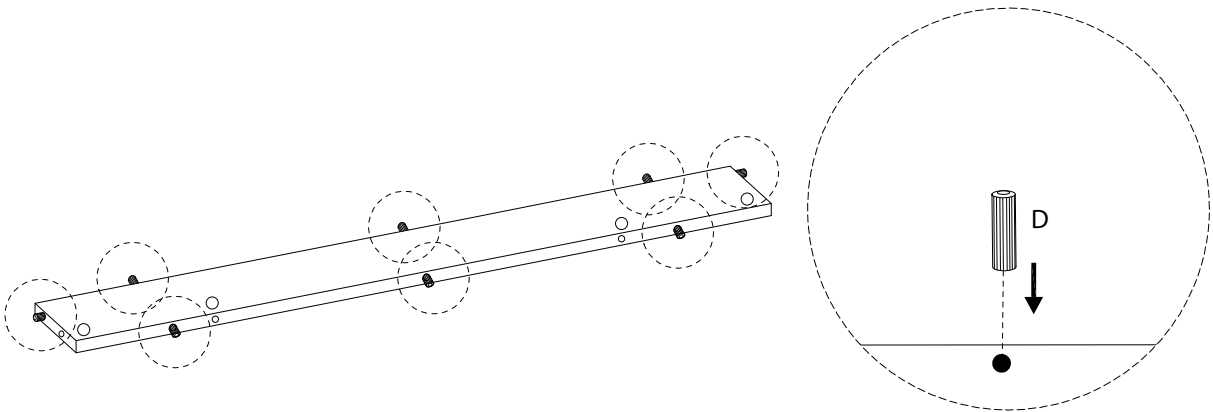


x 1

D

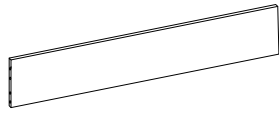


x 8



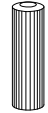
8

10



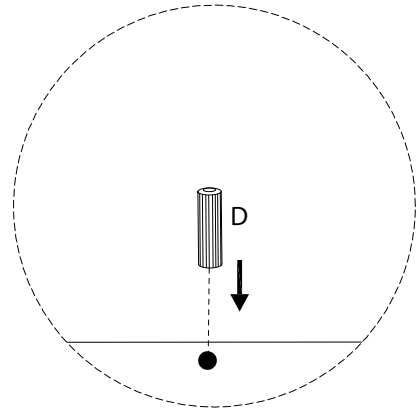
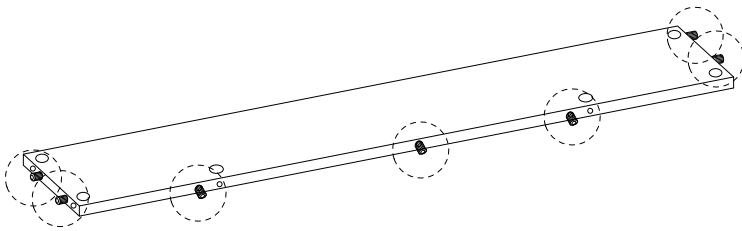
x 1

D



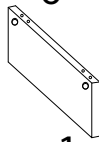
M7.8
x
32

x 7



9

6



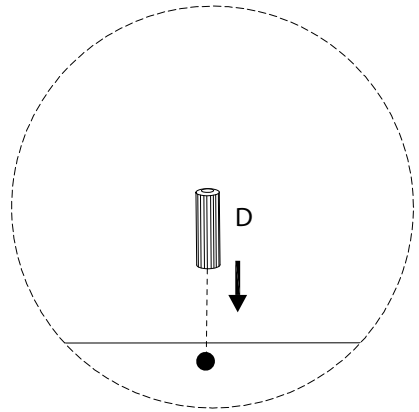
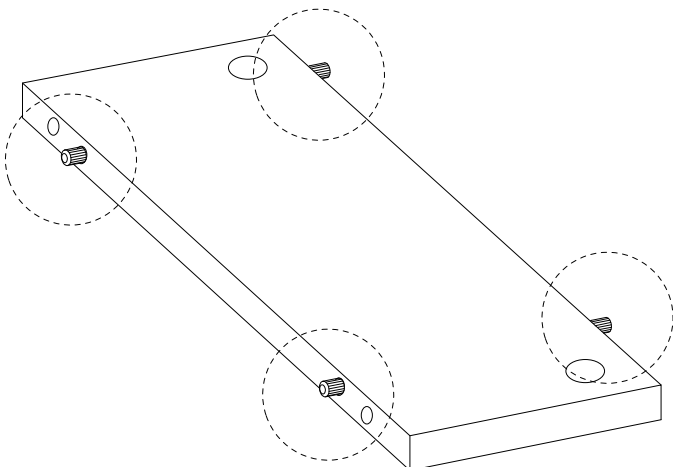
x 1

D



M7.8
x
32

x 4



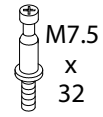
10

1

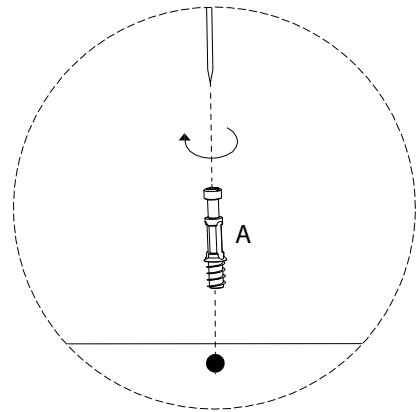
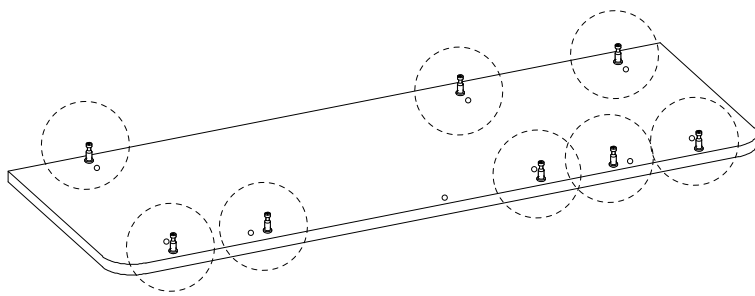


x 1

A

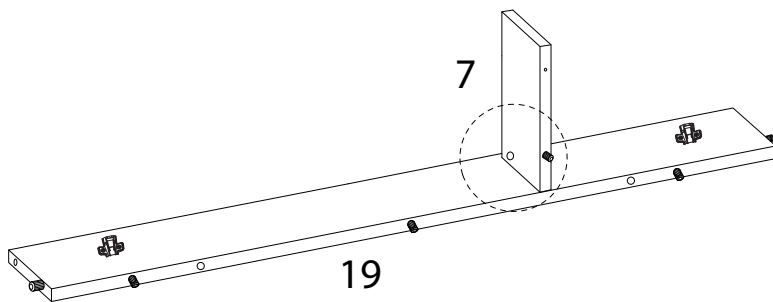


x 8

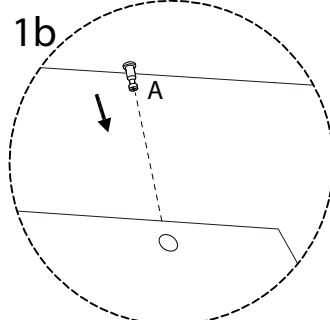
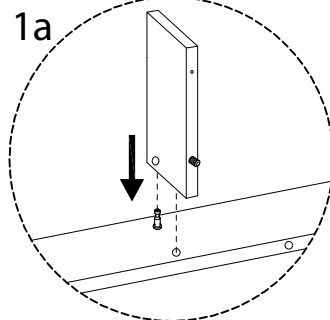


11

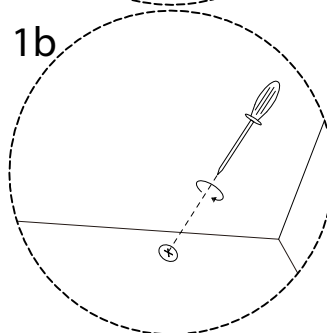
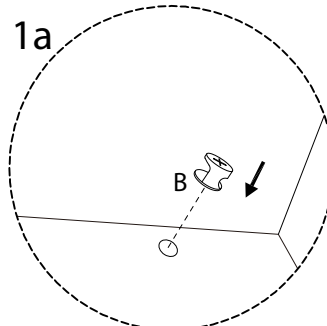
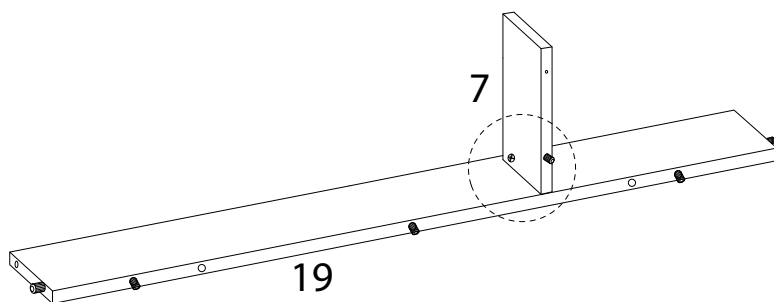
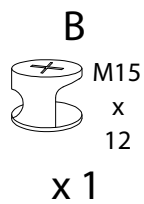
7



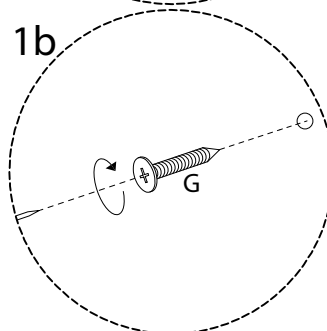
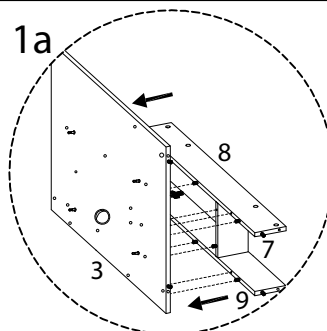
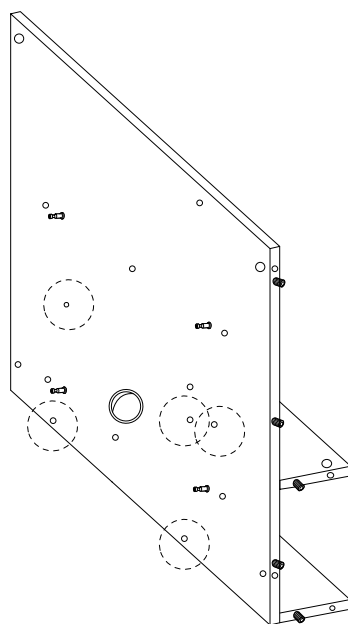
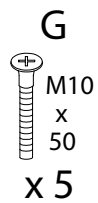
19



12

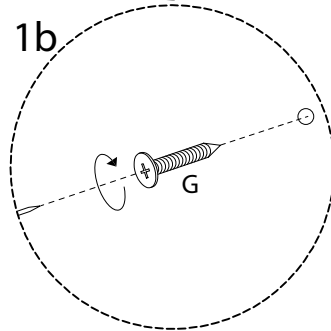
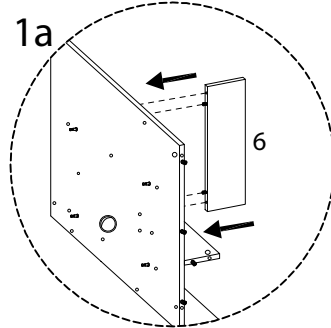
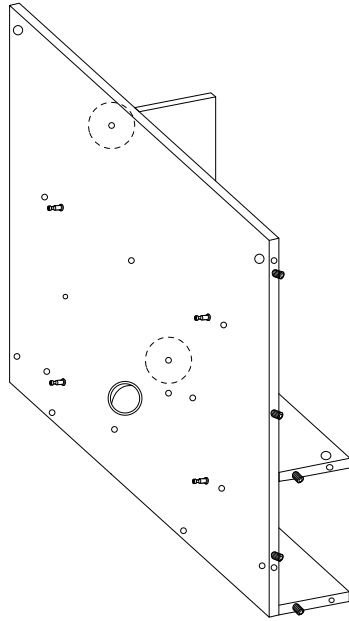


13



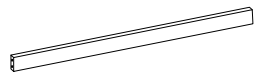
14

G
M10
x
50
x 2



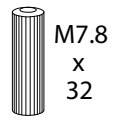
15

9

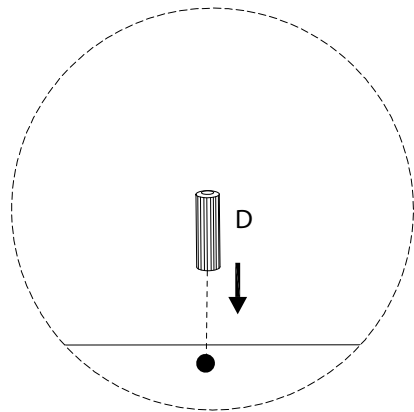
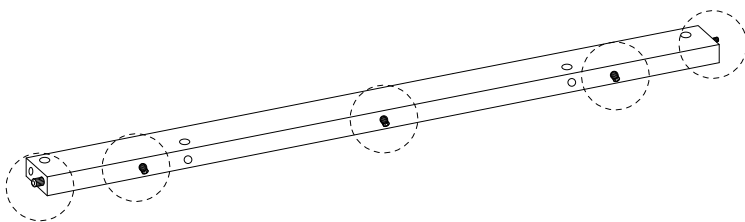


x 1

D

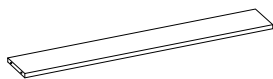


M7.8
x
32
x 5



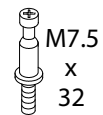
16

11

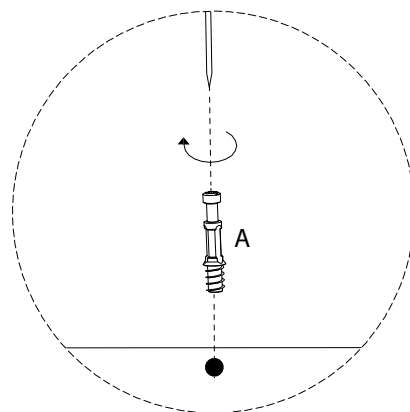
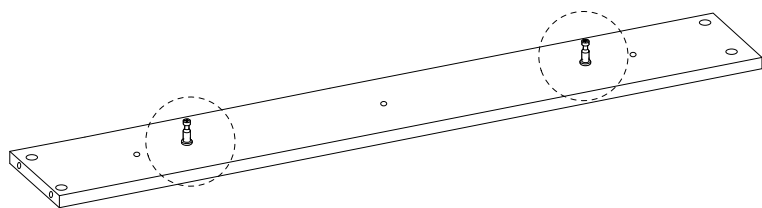


x 1

A

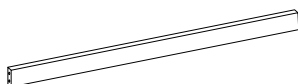


x 2



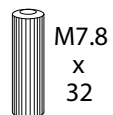
17

12

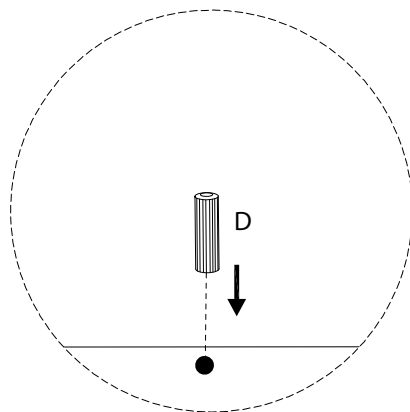
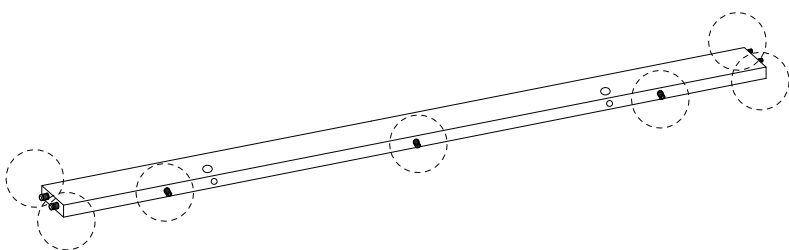


x 1

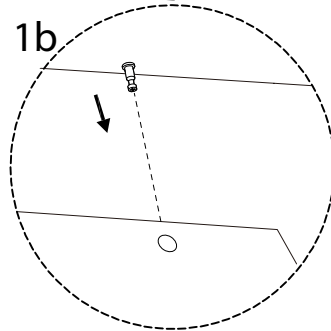
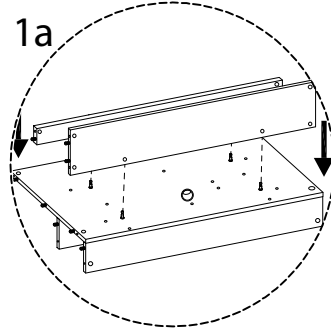
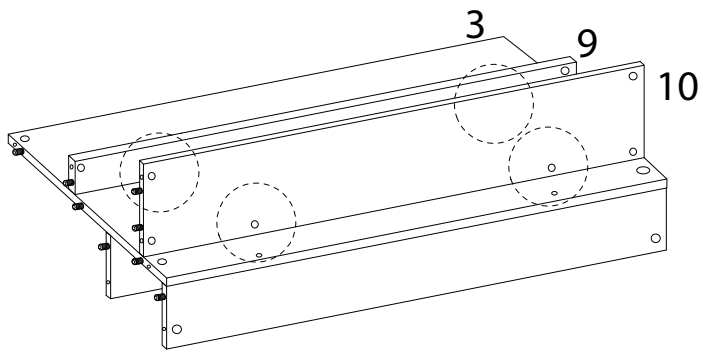
D



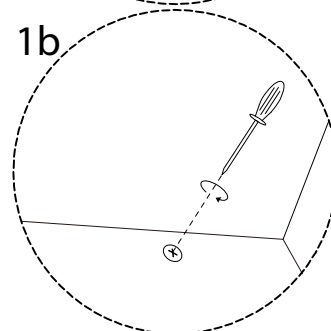
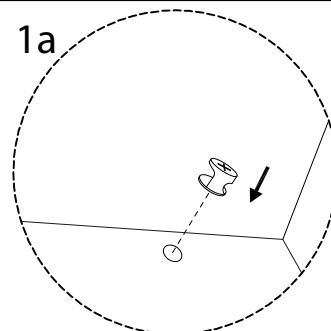
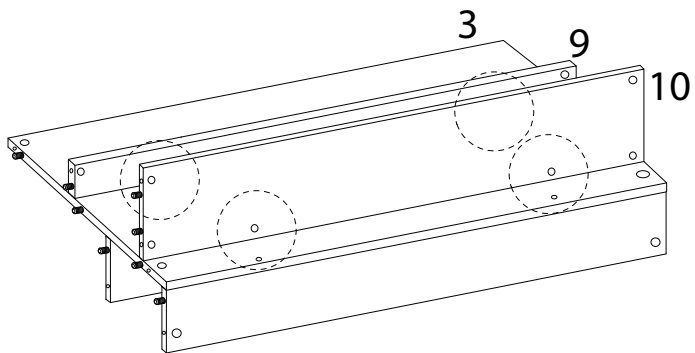
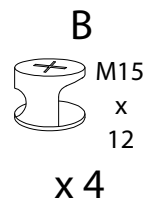
x 7



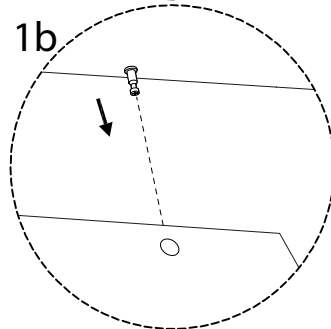
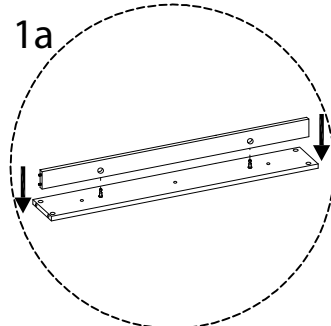
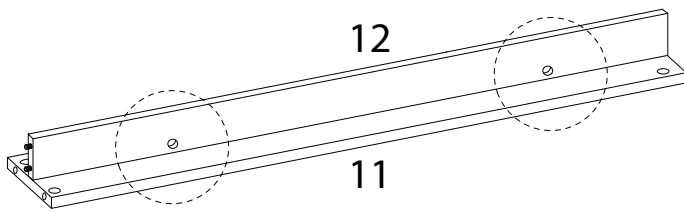
18



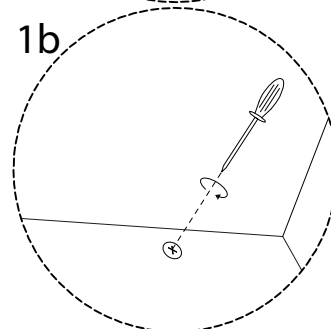
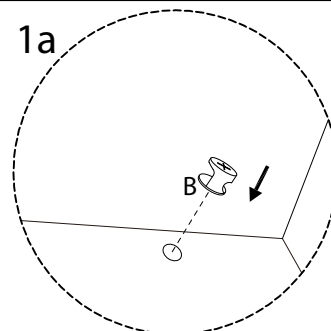
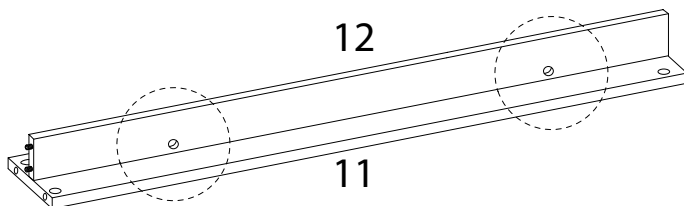
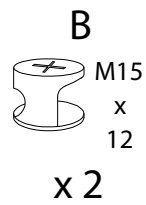
19



20



21



22

15



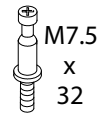
x 1

16



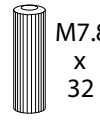
x 1

A

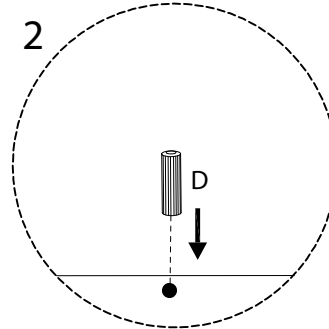
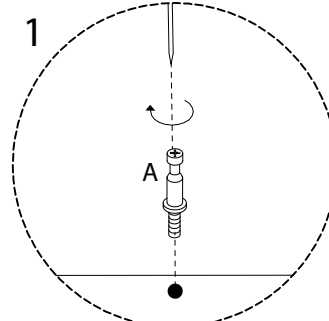
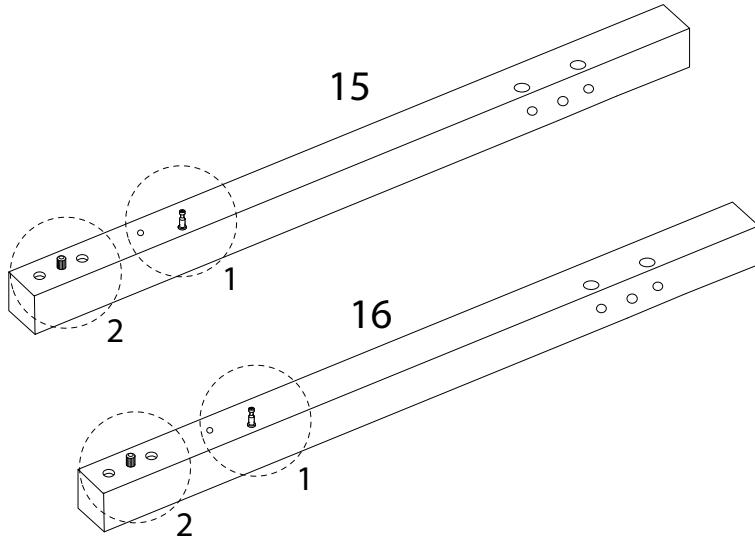


x 2

D



x 2



23

M

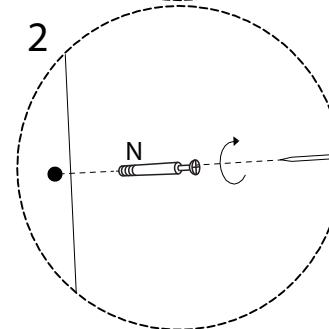
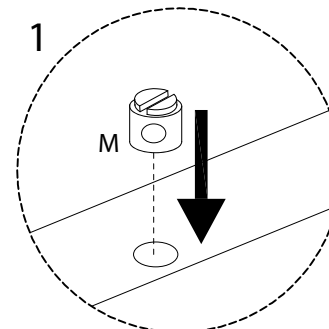
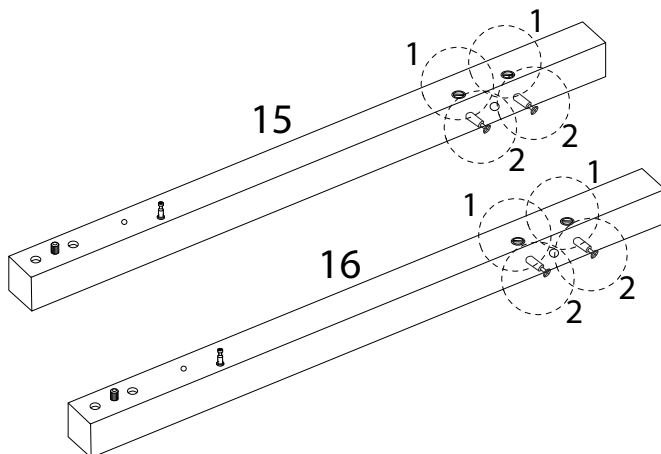


x 4

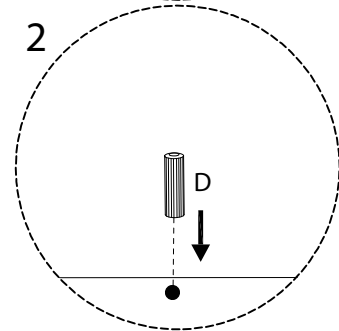
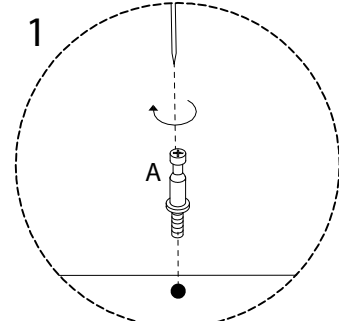
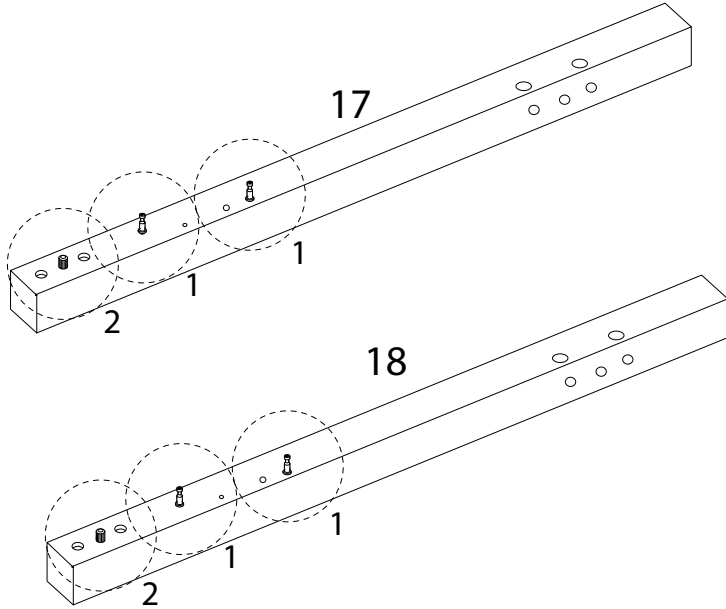
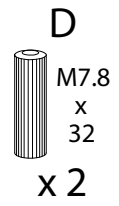
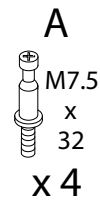
N



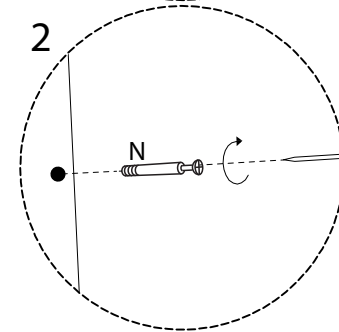
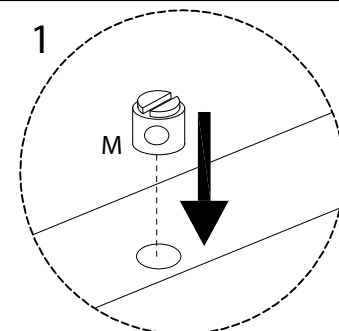
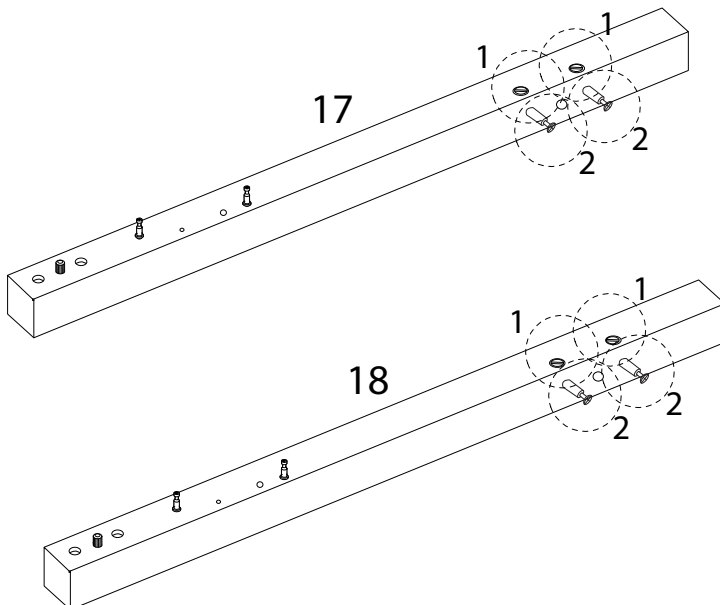
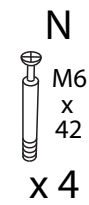
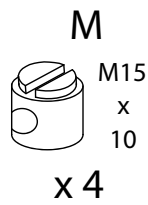
x 4



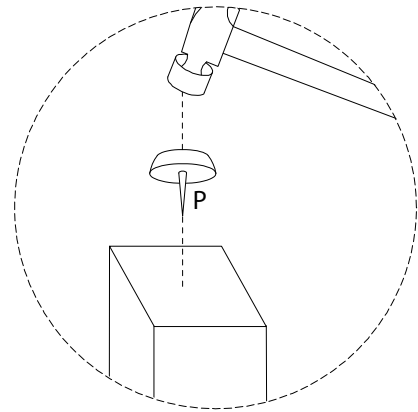
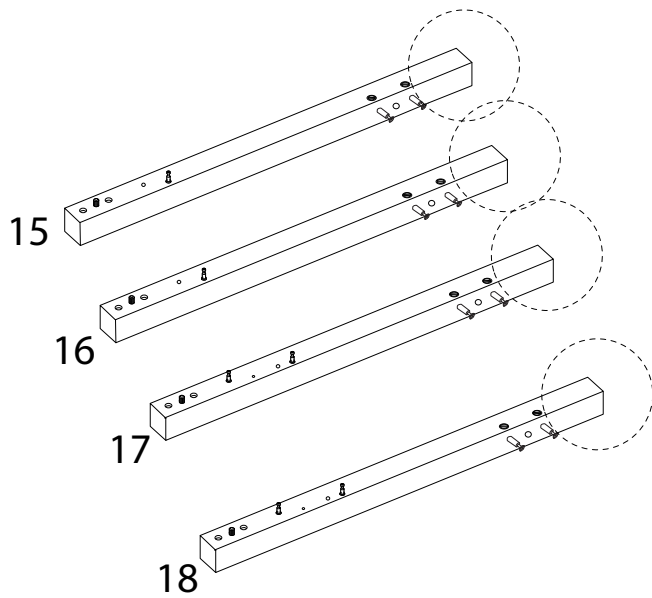
24



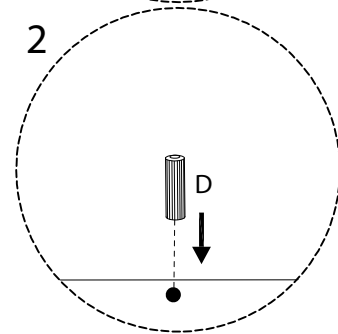
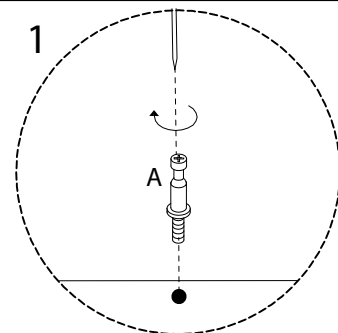
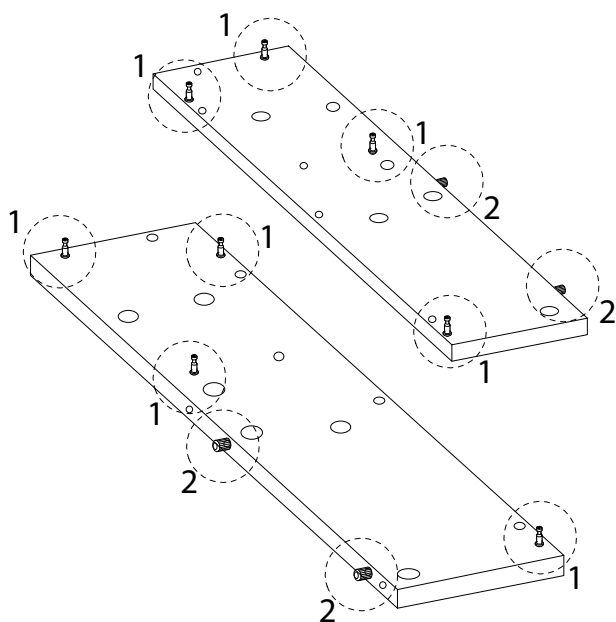
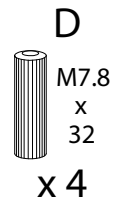
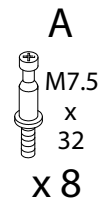
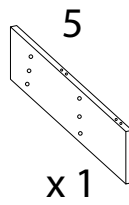
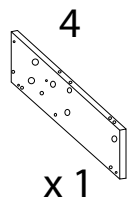
25



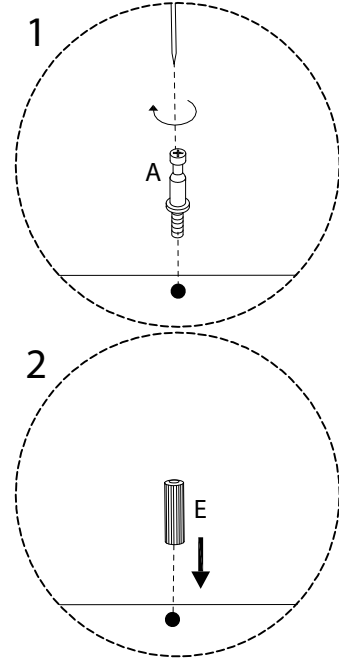
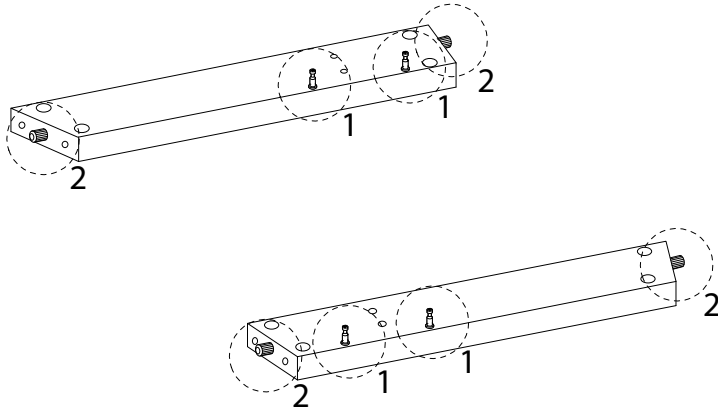
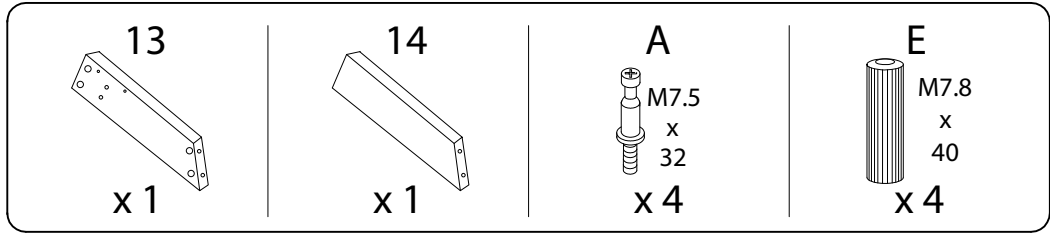
26



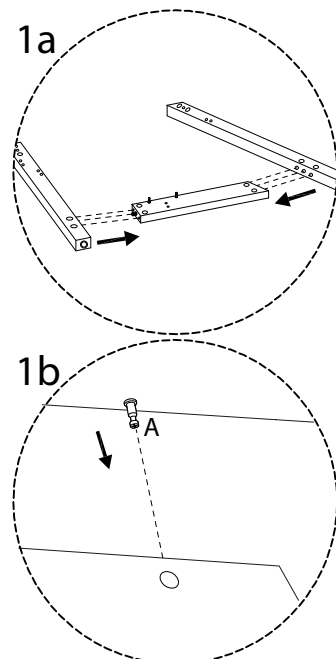
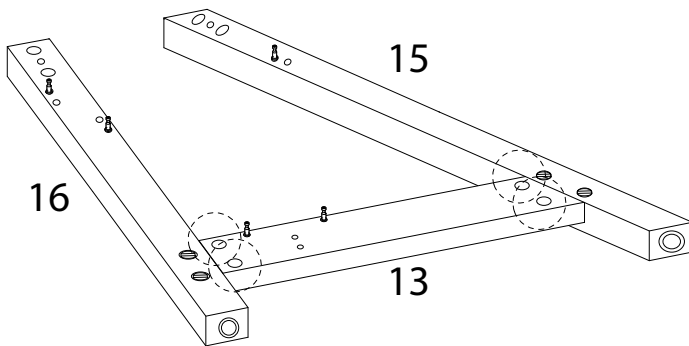
27



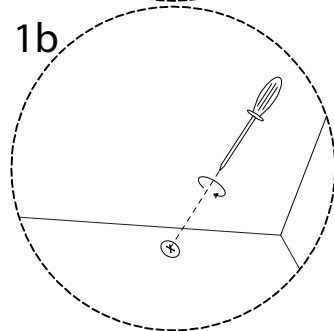
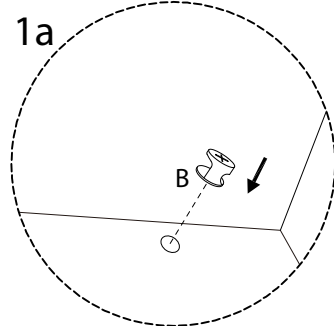
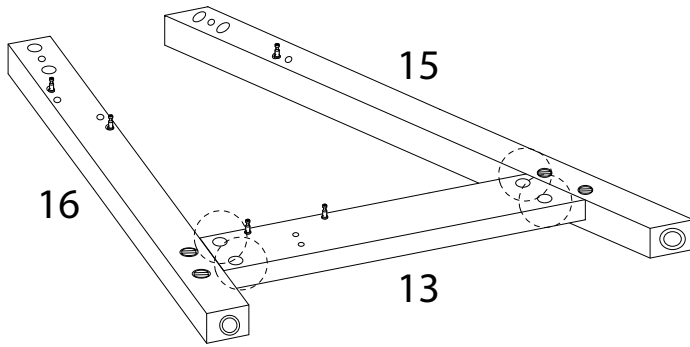
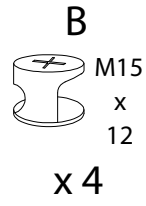
28



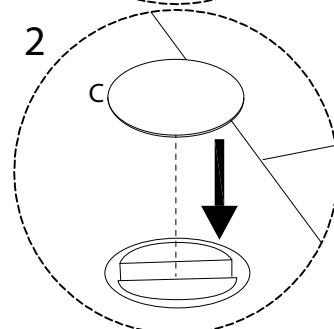
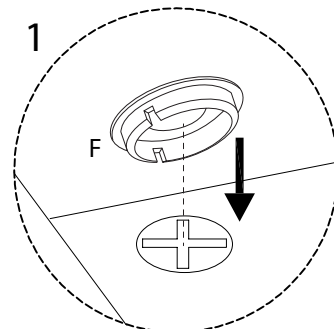
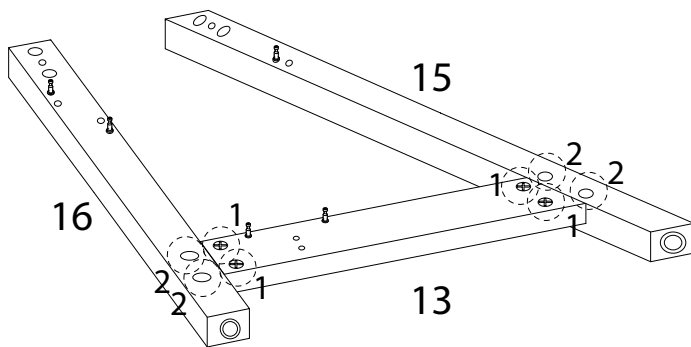
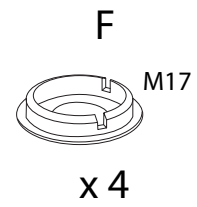
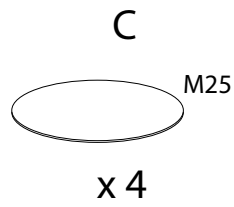
29



30



31

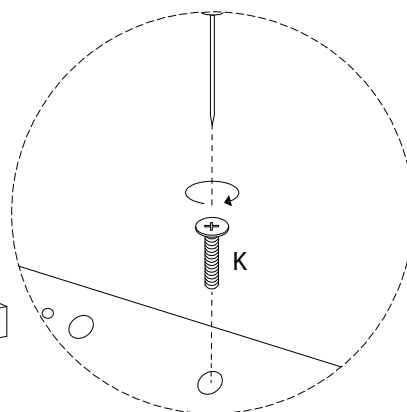
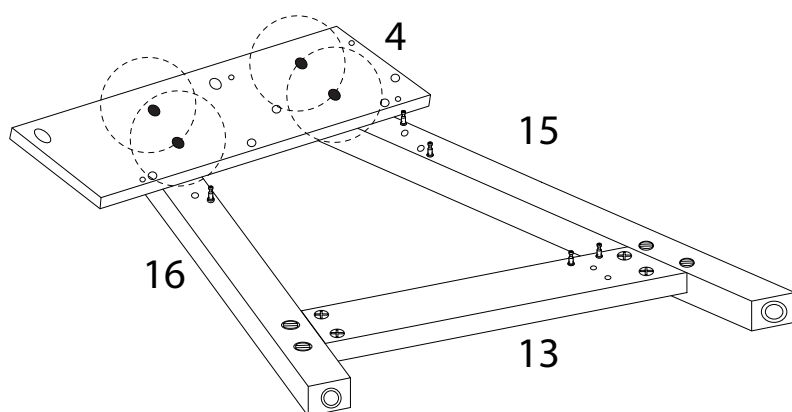


32

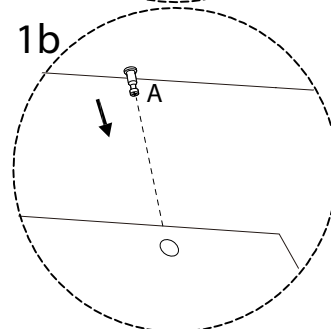
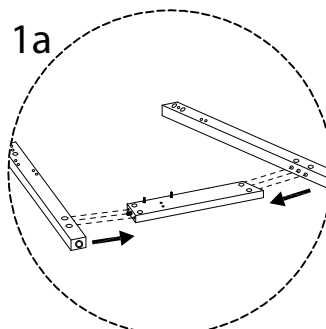
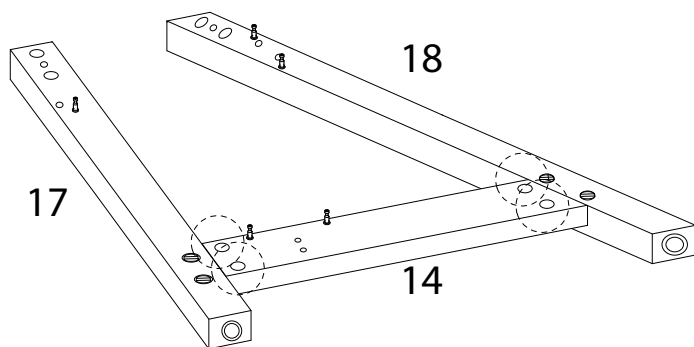
K



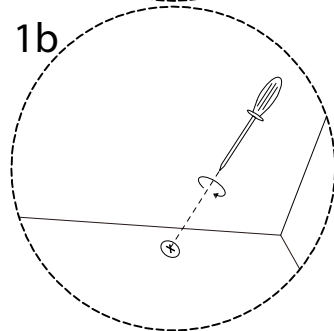
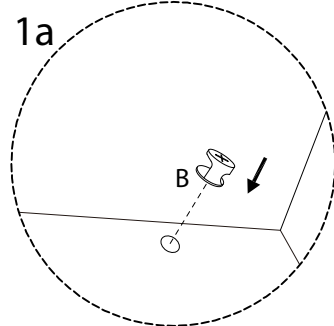
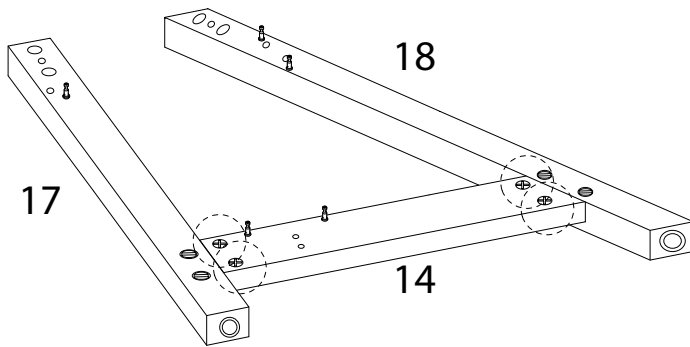
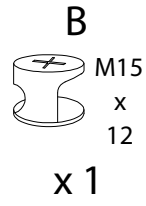
x 4



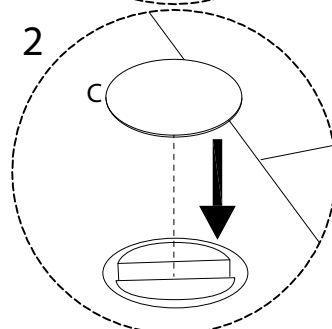
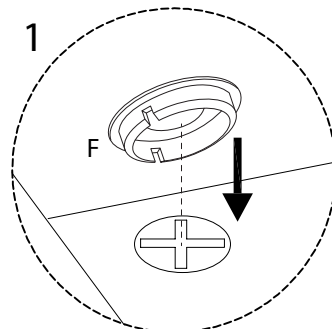
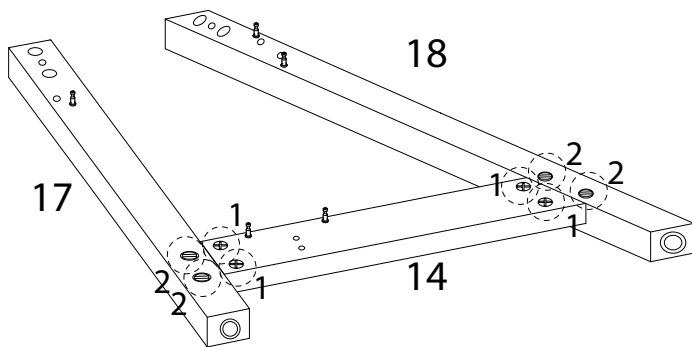
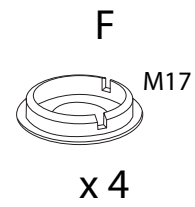
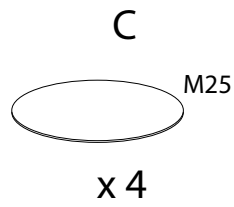
33



34

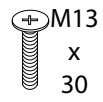


35

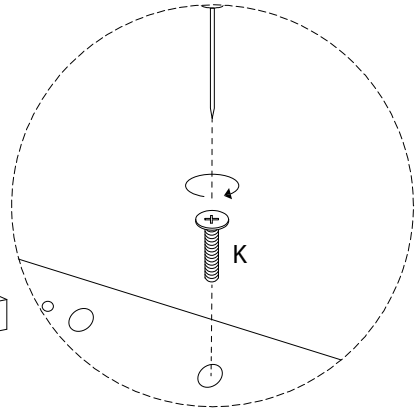
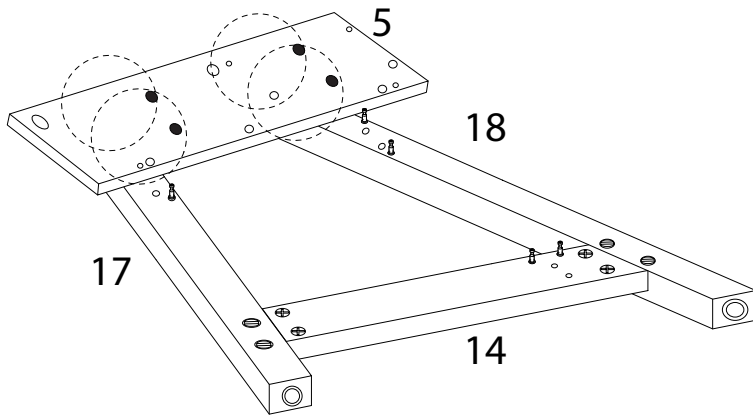


36

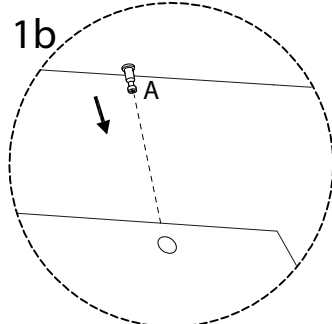
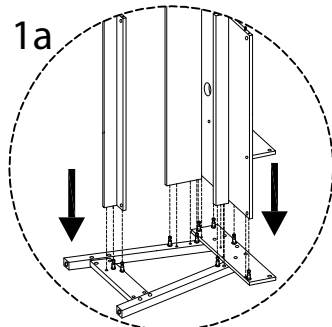
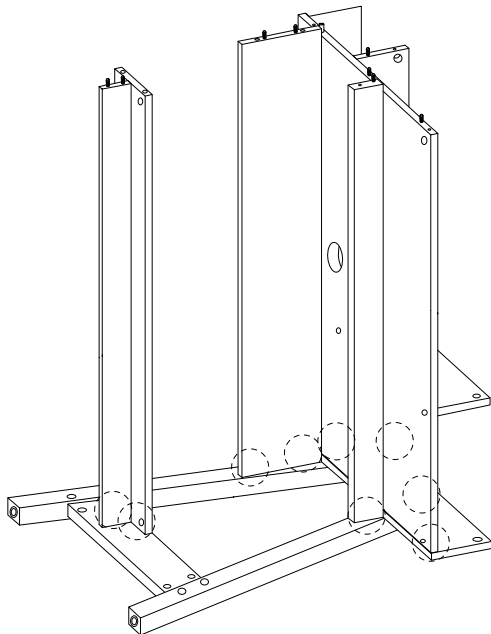
K



x 4

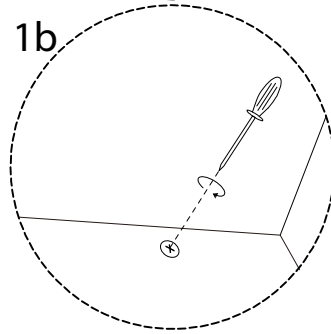
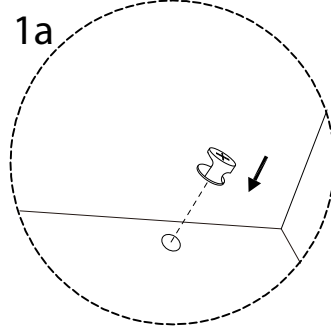
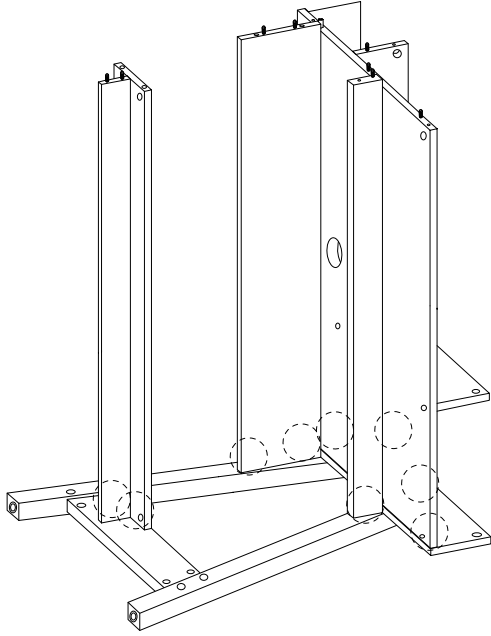


37

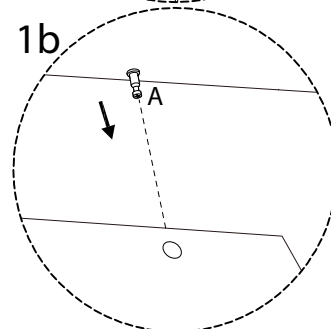
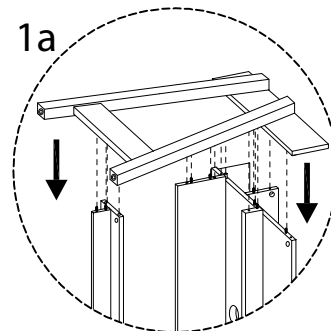
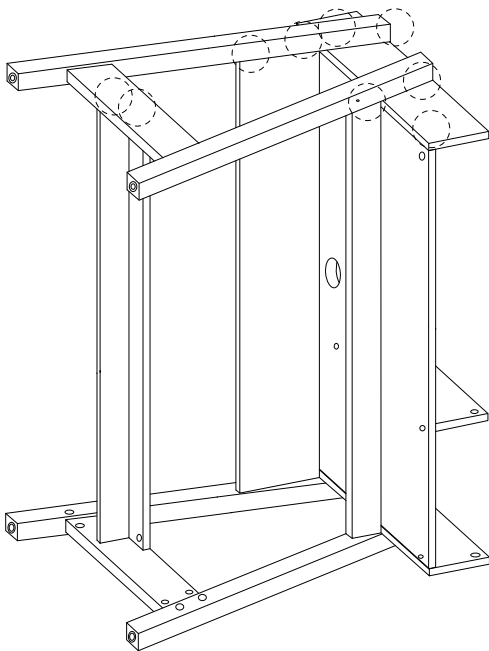


38

B
M15
x
12
x 9

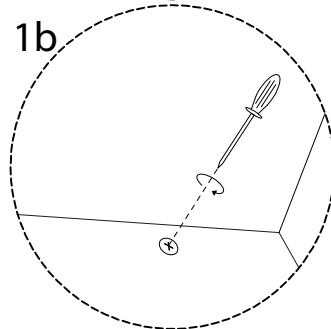
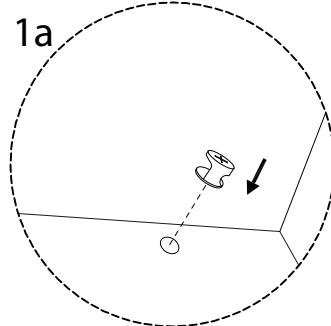
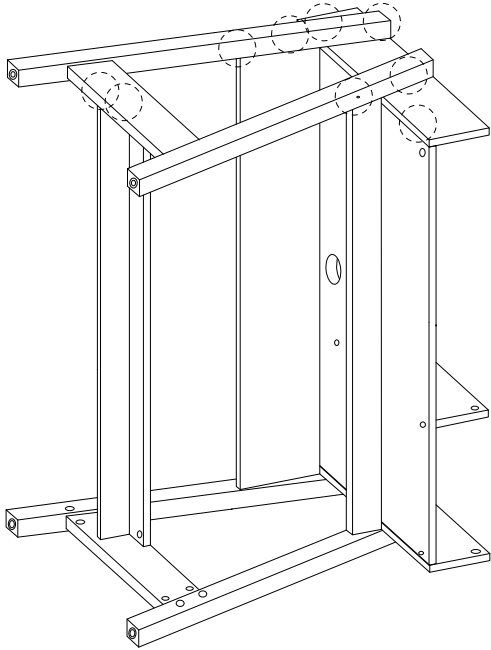


39

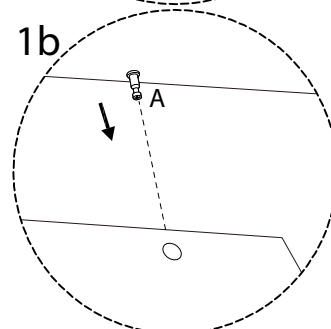
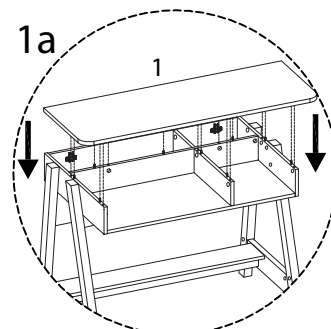
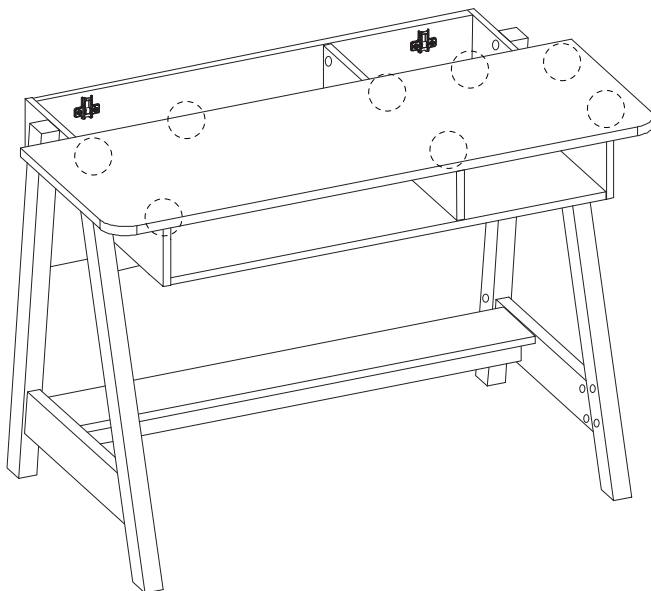


40

B
M15
x
12
x 9

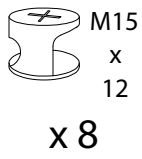


41

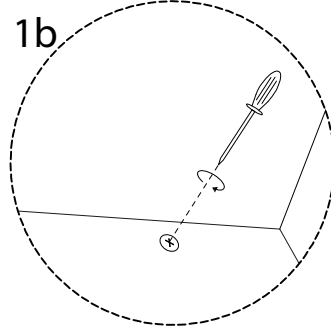
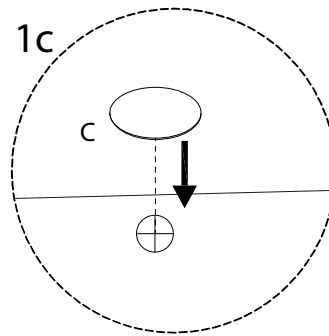
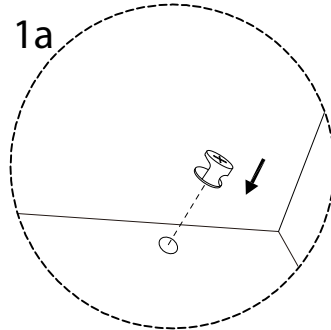
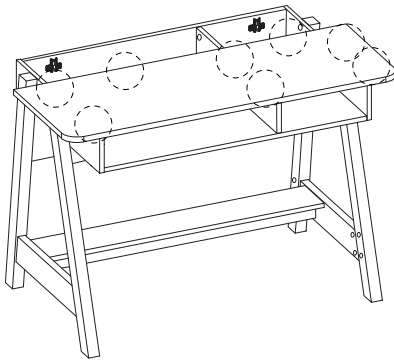
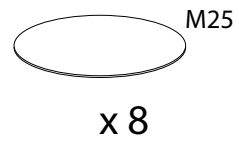


42

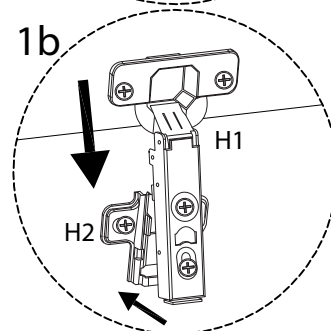
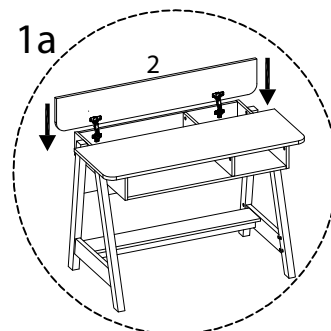
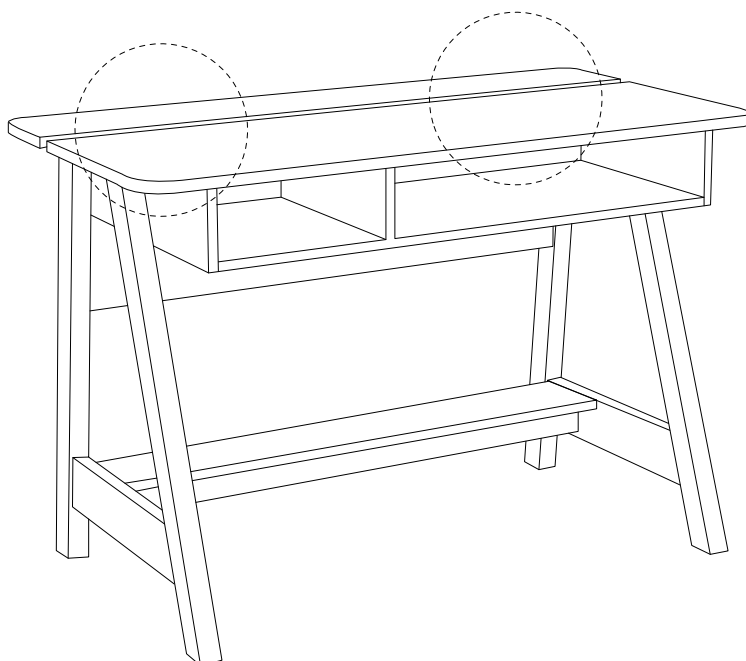
B



C



43



!

