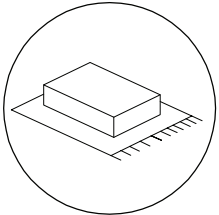
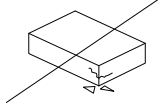
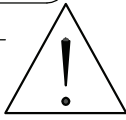
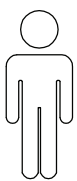
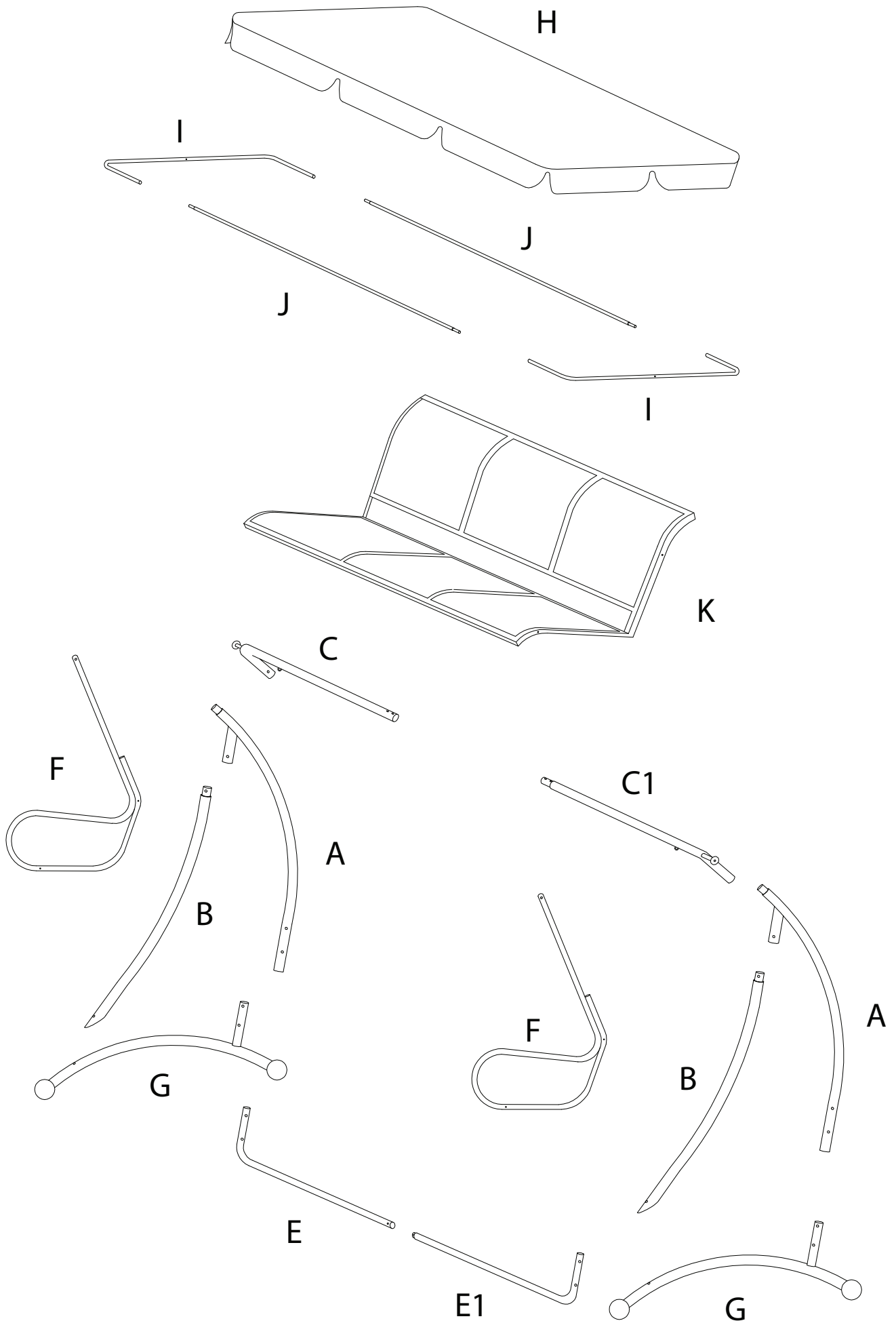

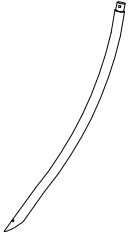
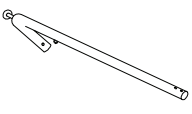
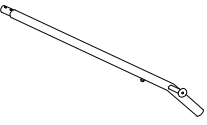
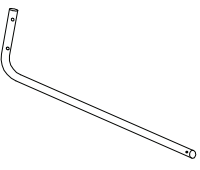
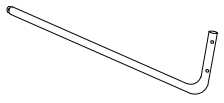
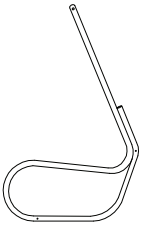
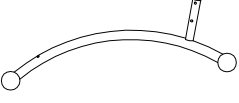
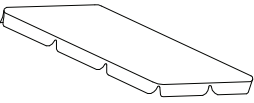

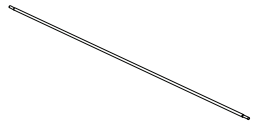
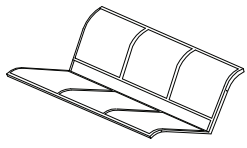
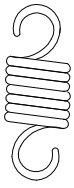

		<p>90'</p>
 		
		<p>2</p>



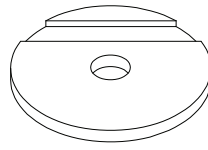
<p>A</p>  <p>x2</p>	<p>B</p>  <p>x2</p>	<p>C</p>  <p>x1</p>	<p>C1</p>  <p>x1</p>
<p>E</p>  <p>x1</p>	<p>E1</p>  <p>x1</p>	<p>F</p>  <p>x2</p>	<p>G</p>  <p>x2</p>
<p>H</p>  <p>x1</p>	<p>I</p>  <p>x2</p>	<p>J</p>  <p>x2</p>	<p>K</p>  <p>x1</p>

L



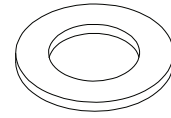
x 2

M



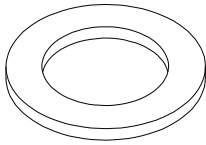
x 4

N



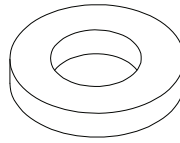
x 5

O



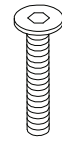
x 12

P



x 4

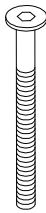
Q



M6
x
32

x 1

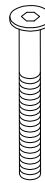
R



M6
x
78

x 4

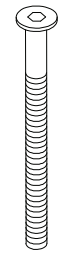
S



M8
x
58

x 8

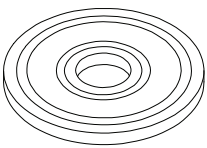
T



M8
x
80

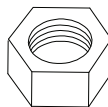
x 6

U



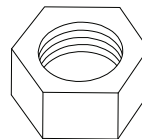
x 2

V



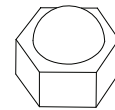
x 5

W



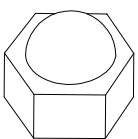
x 12

X



x 5

Y



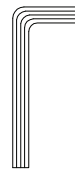
x 12

Z



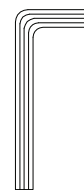
x 1

Г






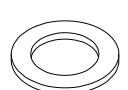
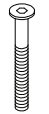
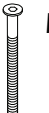
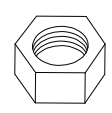
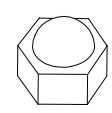

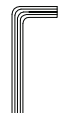
x 1

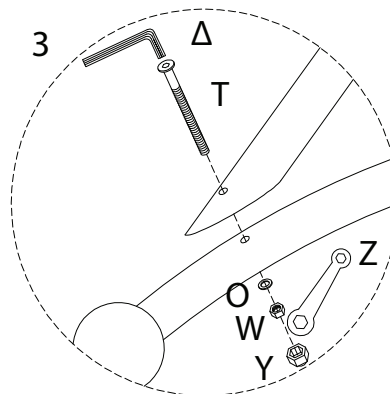
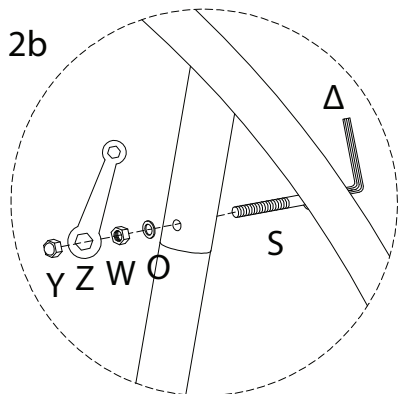
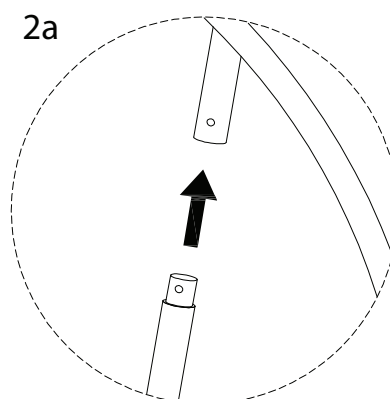
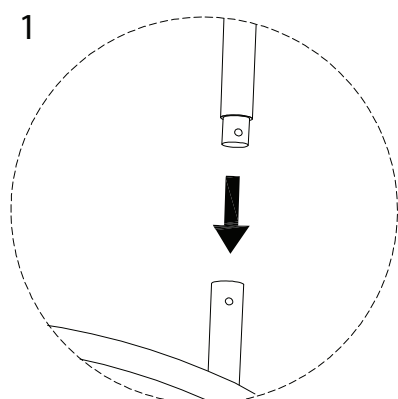
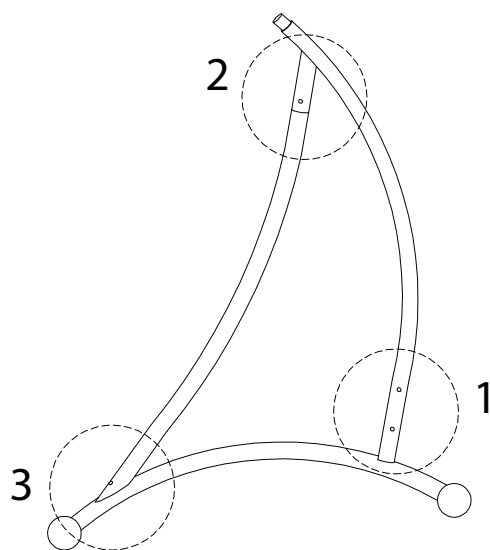
Δ




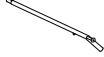

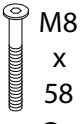
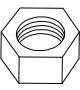
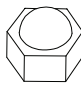

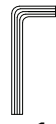
x 1

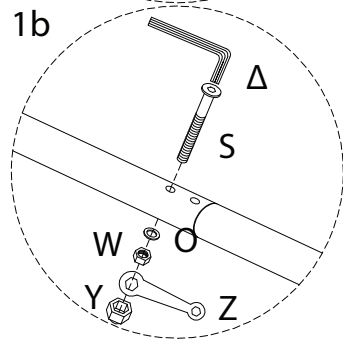
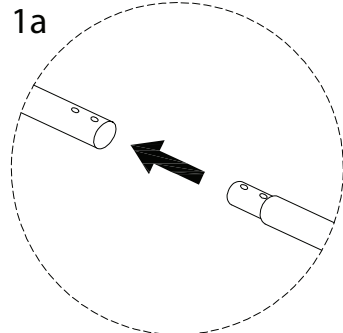
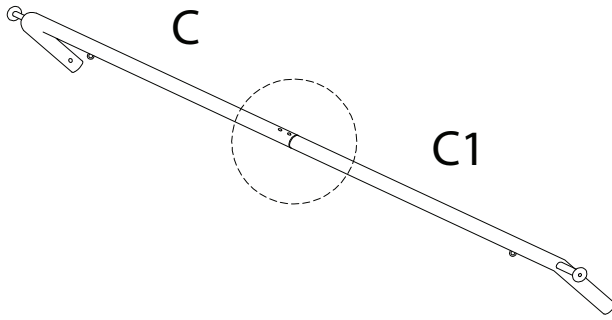
1 x 2

A  x 1	B  x 1	G  x 1	O  x 2	S  M8 x 58 x 1
T  M8 x 80 x 1	W  x 2	Y  x 2	Z  x 1	Δ  x 1



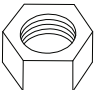
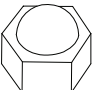

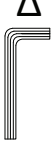


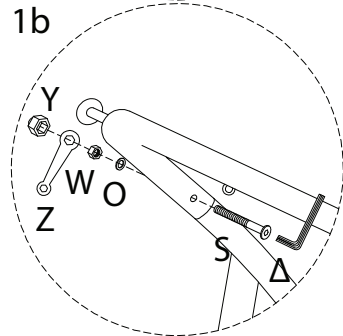
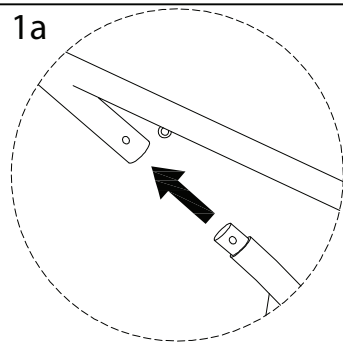
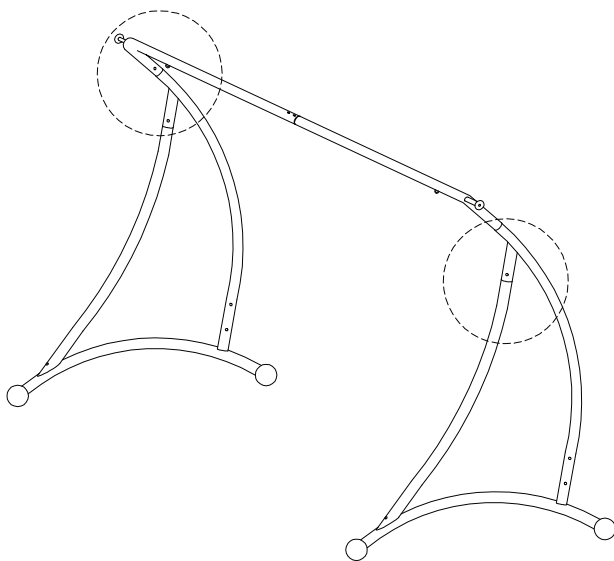
2

C	C1	O	S M8 x 58	W	Y	Z	Δ
							
x1	x1	x2	x2	x2	x2	x1	x1



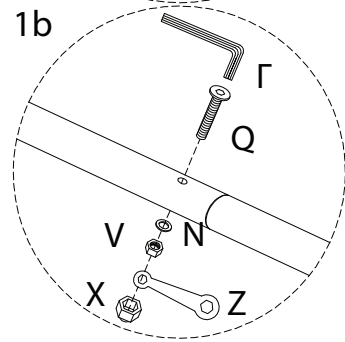
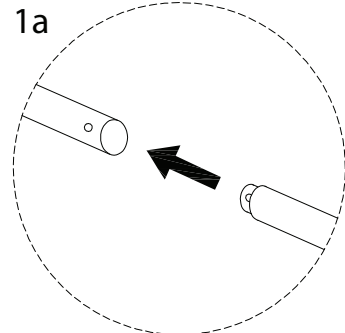
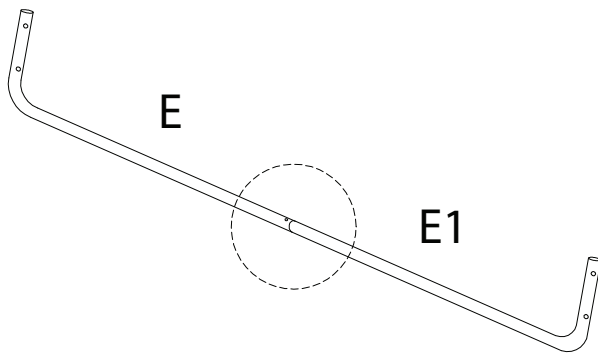
3

O	S M8 x 58	W	Y	Z	Δ
					
x2	x2	x2	x2	x1	x1



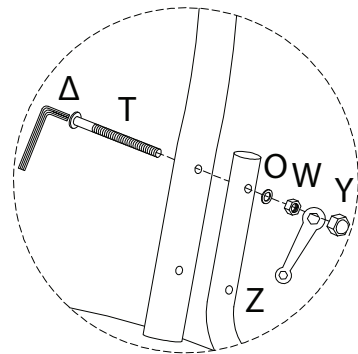
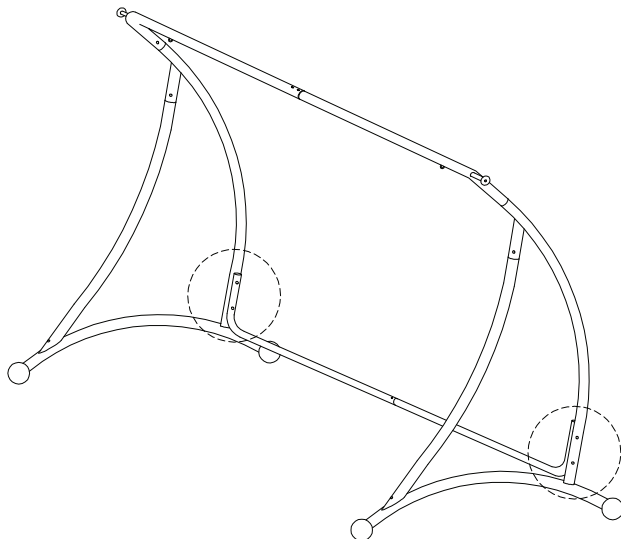
4

E	E1	N	Q M6 x 32	V	X	Z	Г
x1	x1	x1	x1	x1	x1	x1	x1


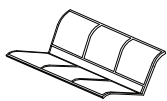
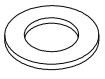
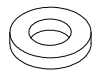

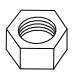
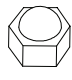

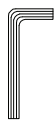


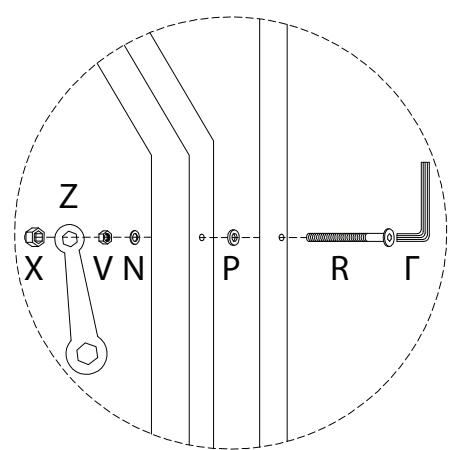
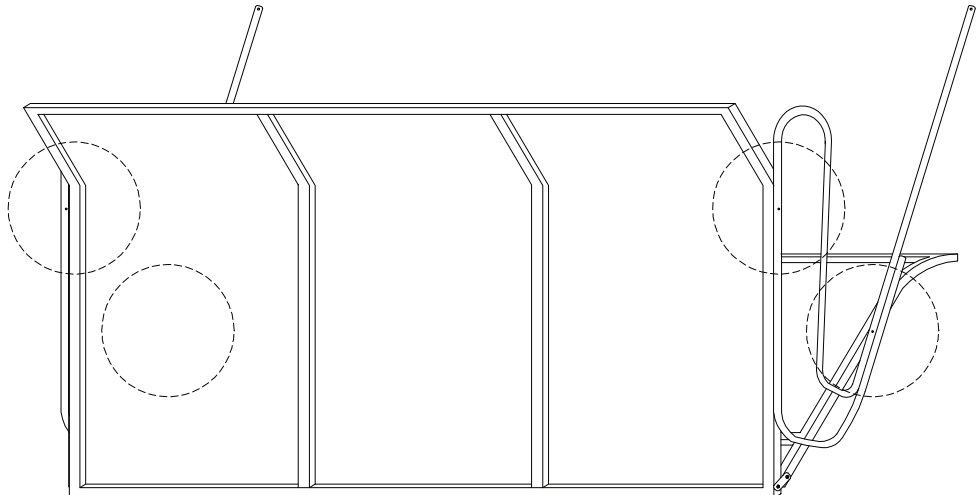
5

O	T M8 x 80	W	Y	Z	Δ
x4	x4	x4	x4	x1	x1



6

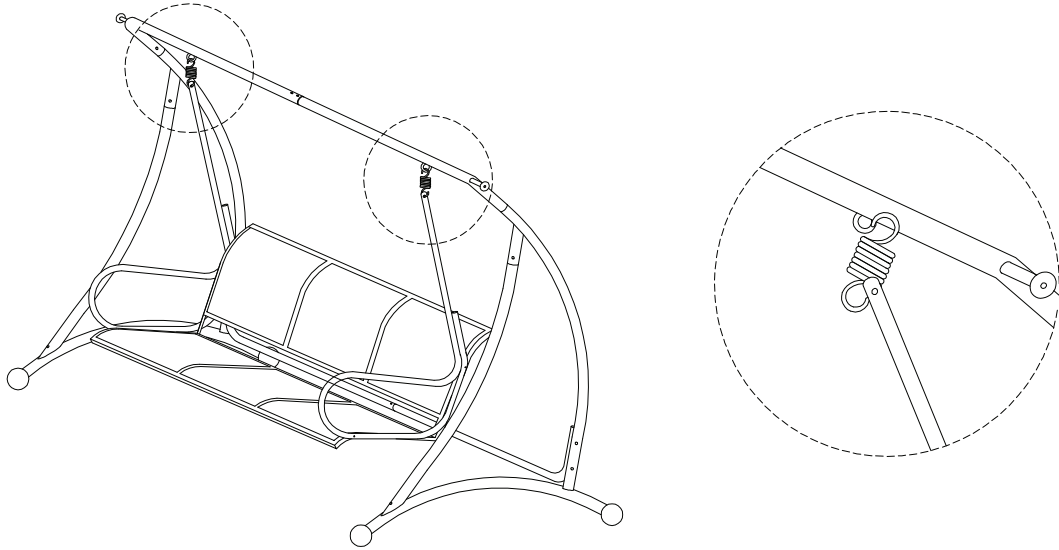
F  x 2	K  x 1	N  x 4	P  x 4	
R  M6 x 78 x 4	V  x 4	X  x 4	Z  x 1	Г  x 1



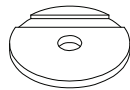
7


L

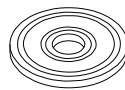
x 2

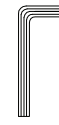



8

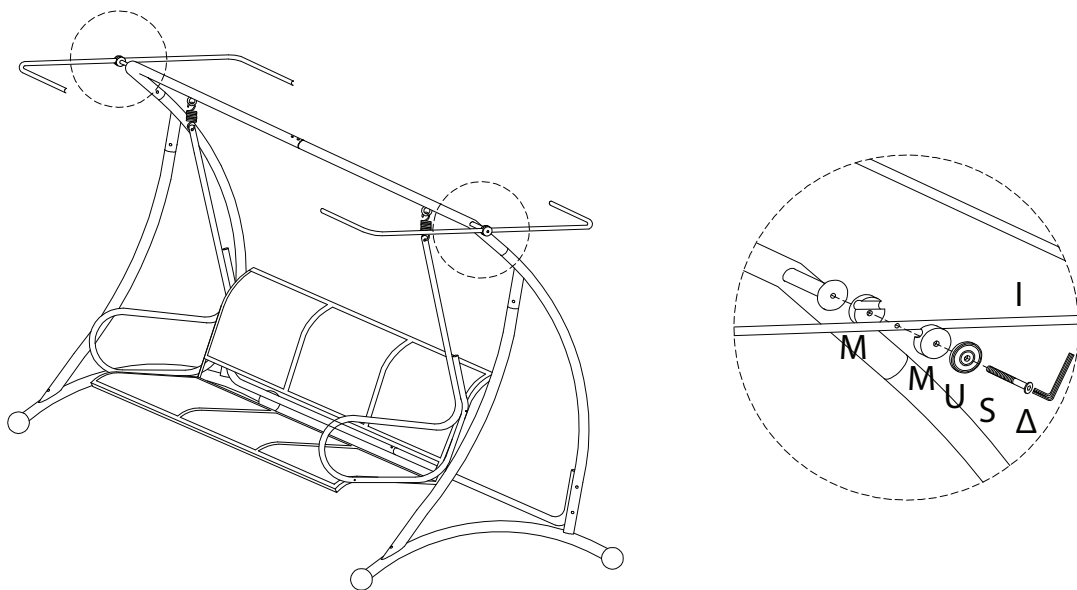
M

x 4

S

M8
x
58
x 2

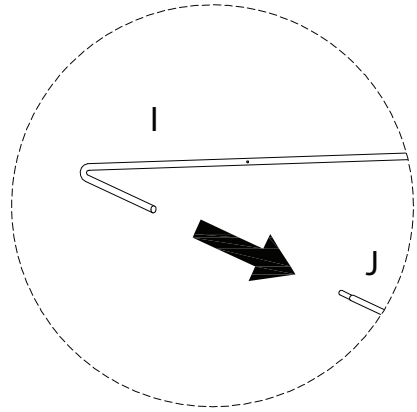
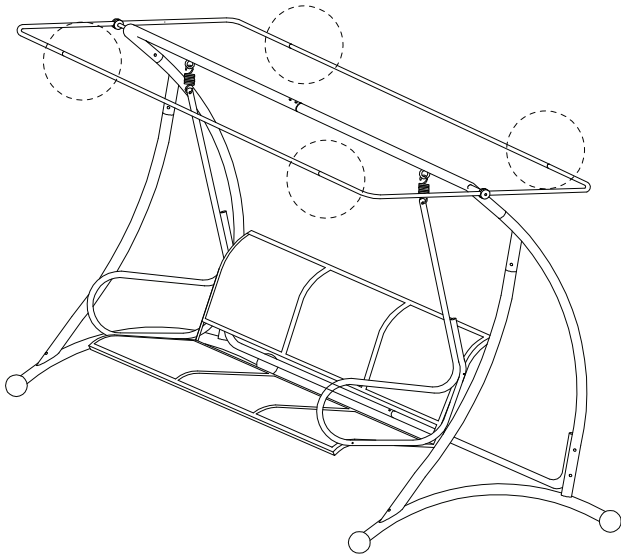
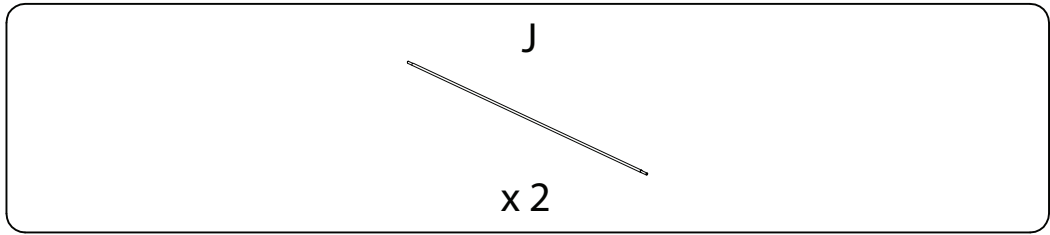
U

x 2

Δ

x 1

I

x 2



9



10

