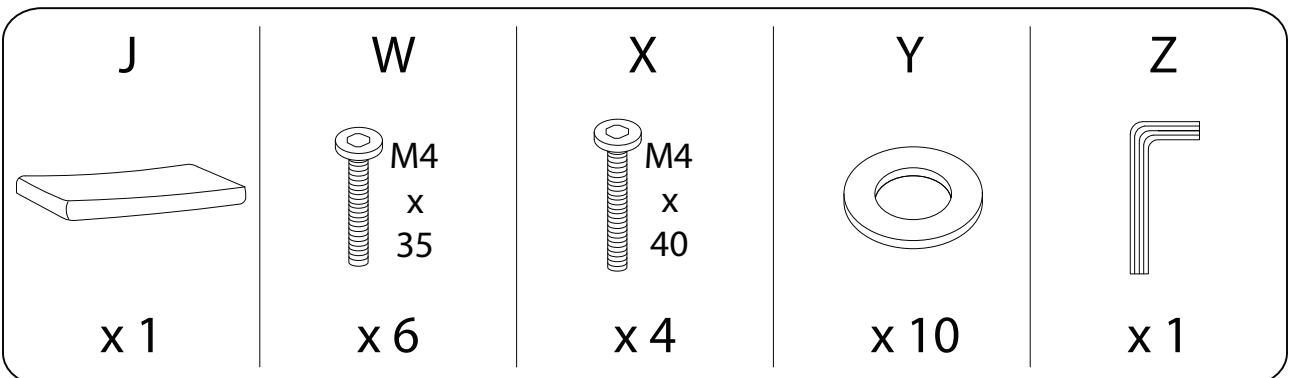
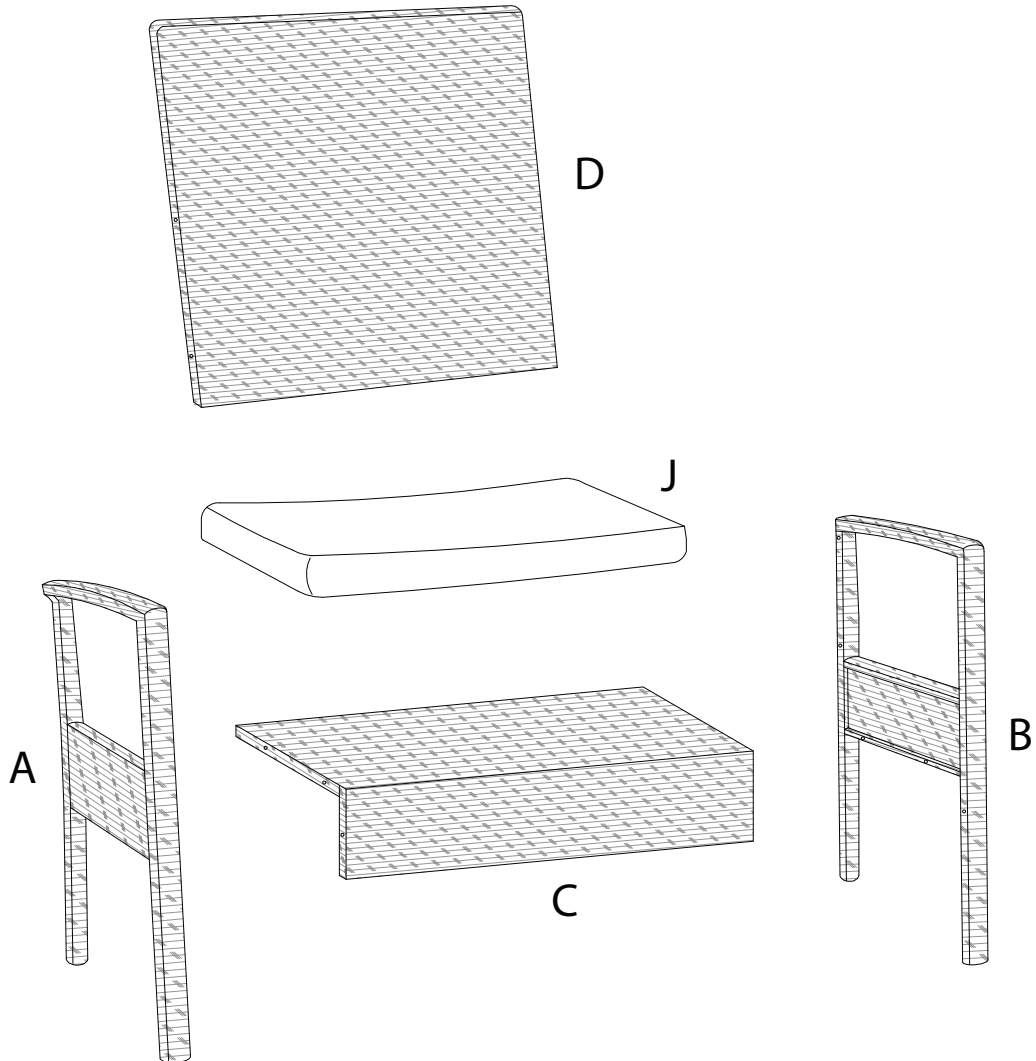
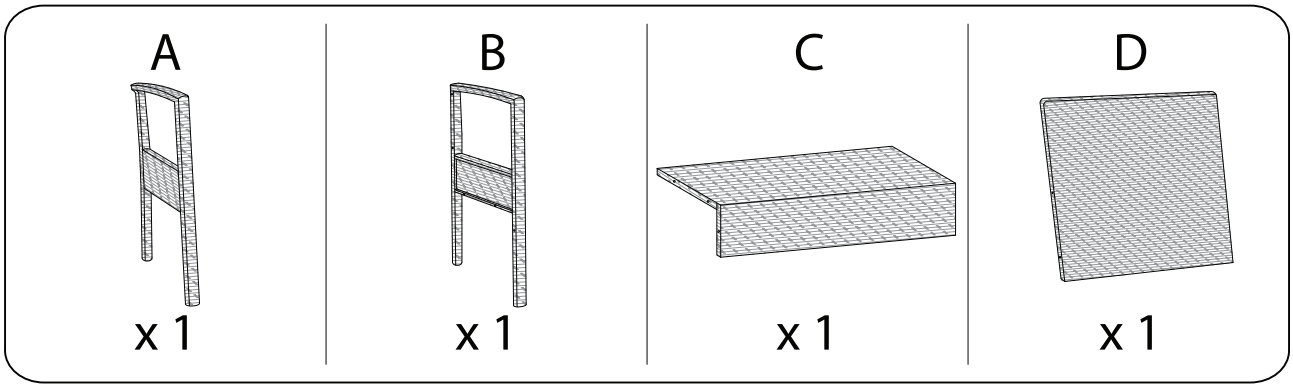
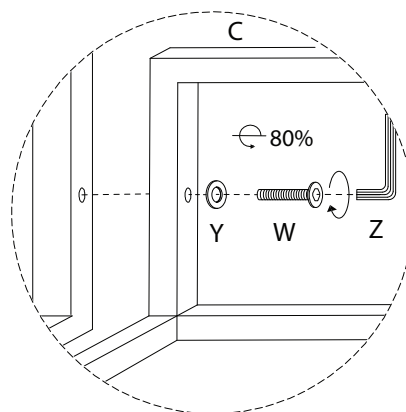
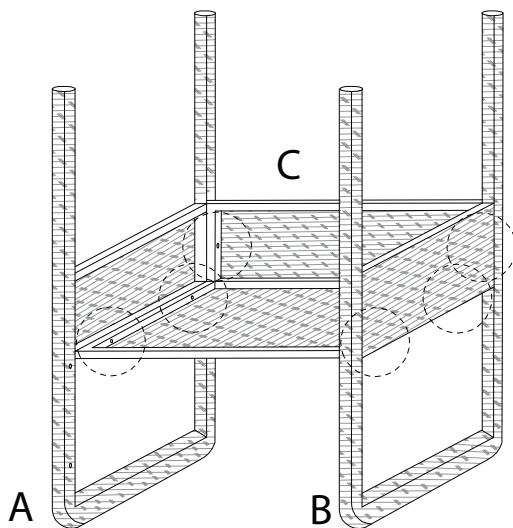
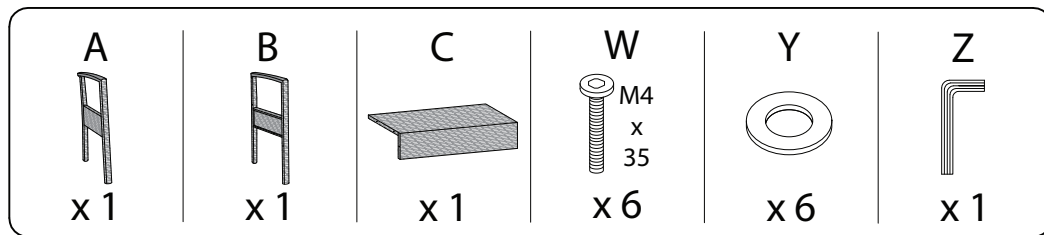


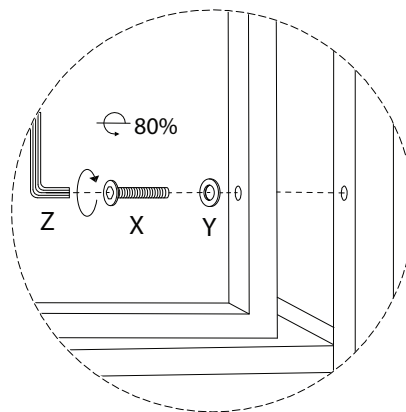
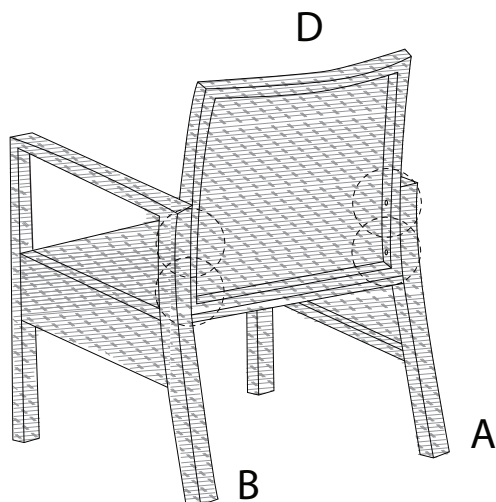
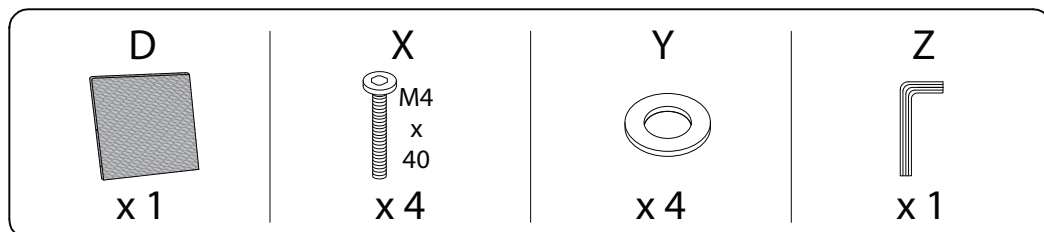
A x 2



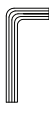
1

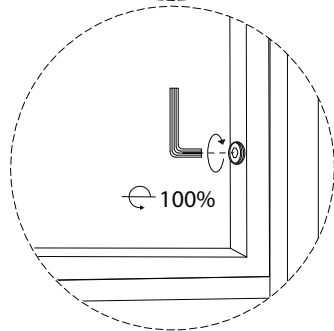
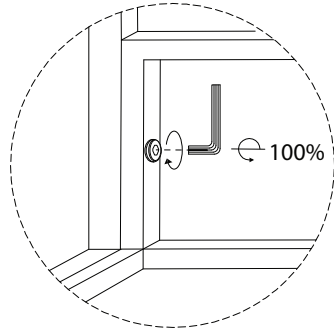
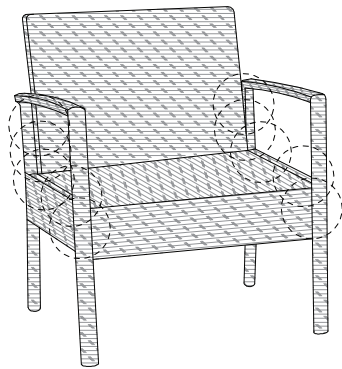


2



3

Z

x 1

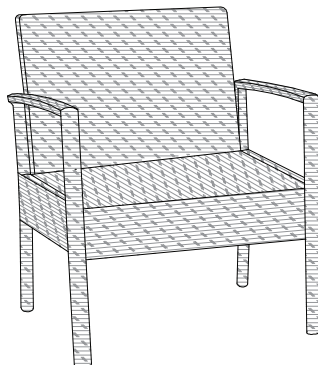


4

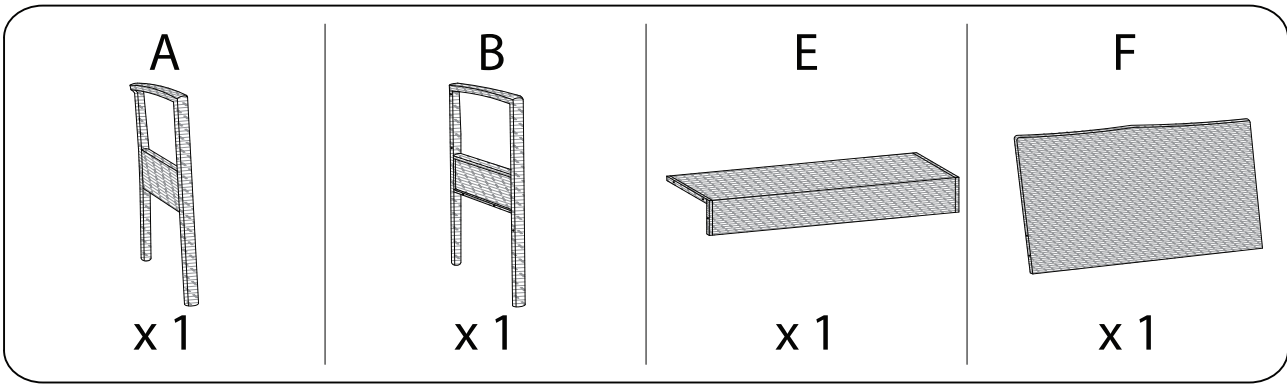
J



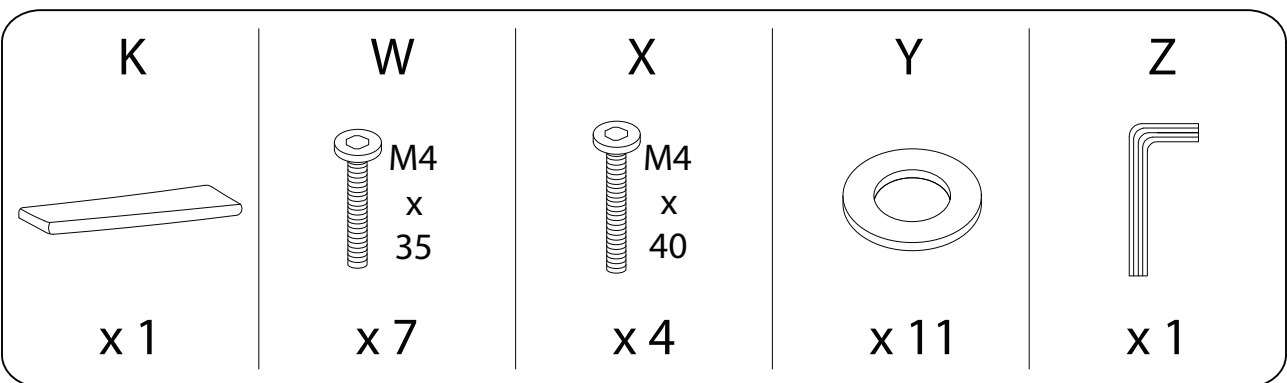
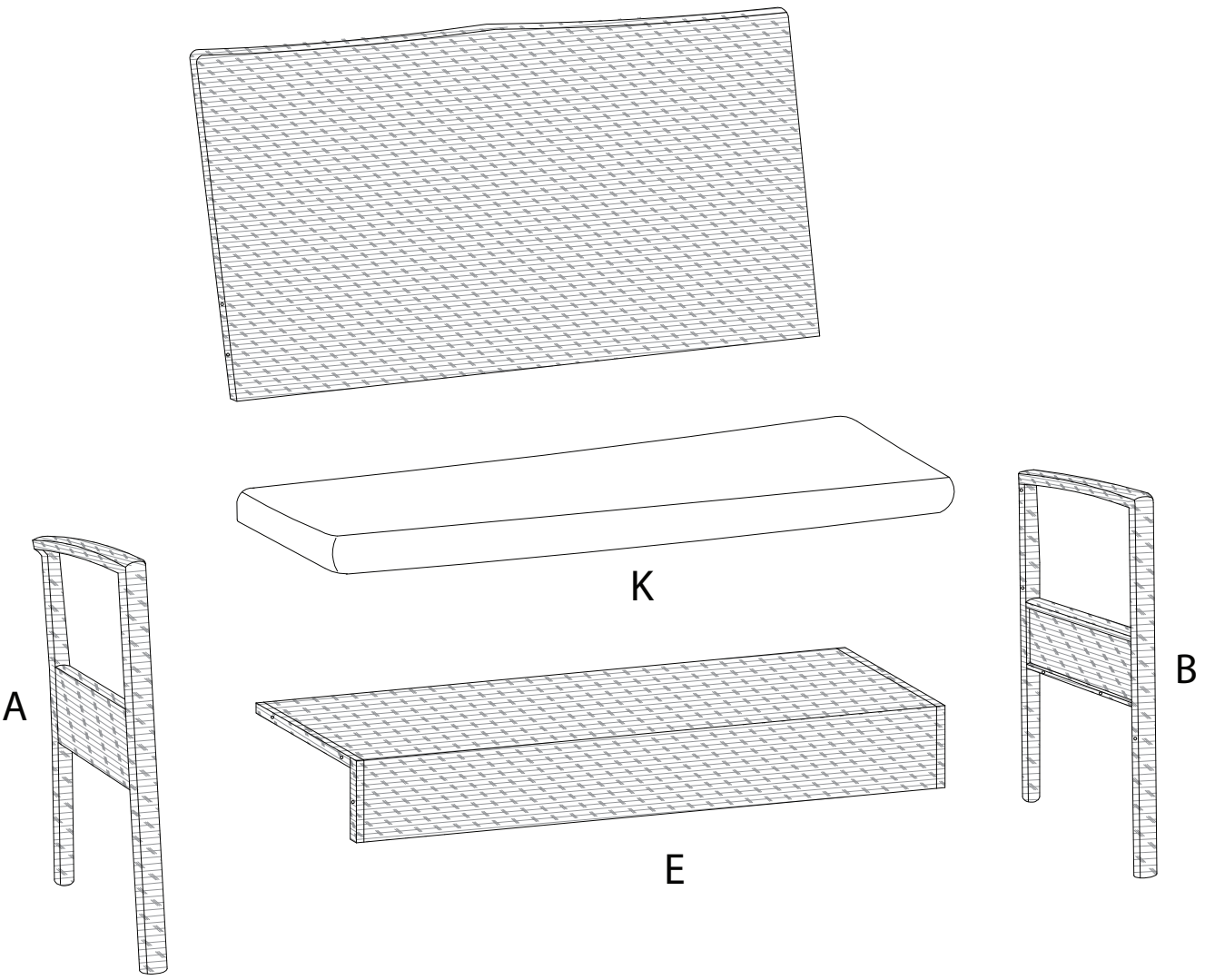
x 1



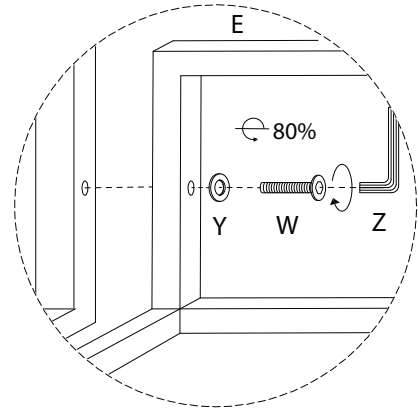
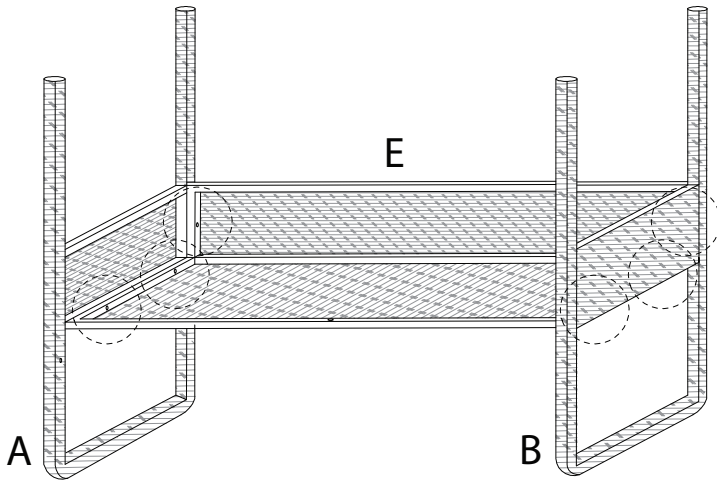
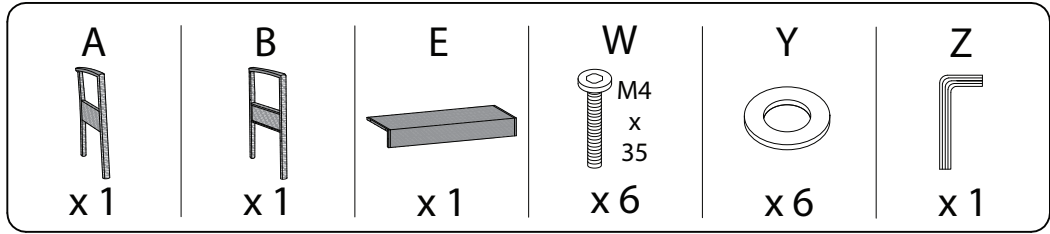
B



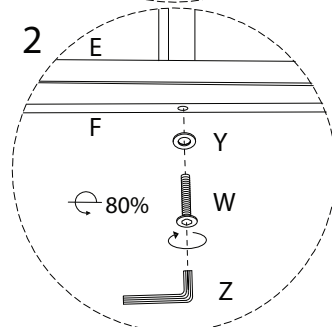
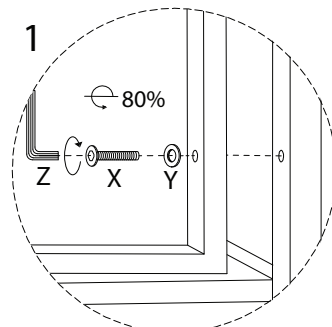
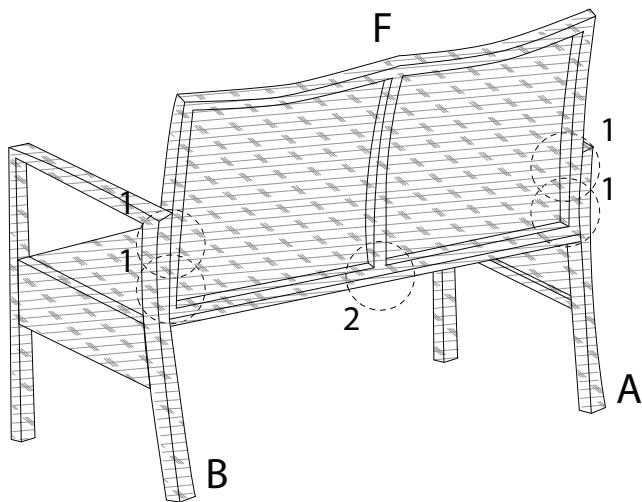
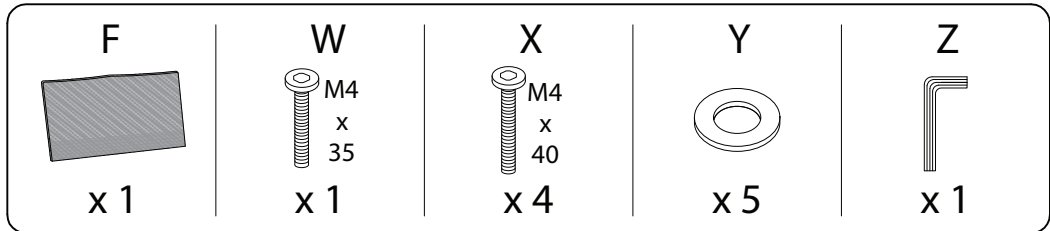
F



1

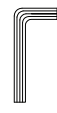


2

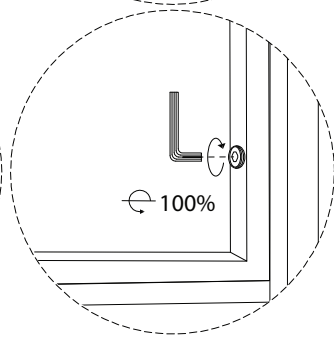
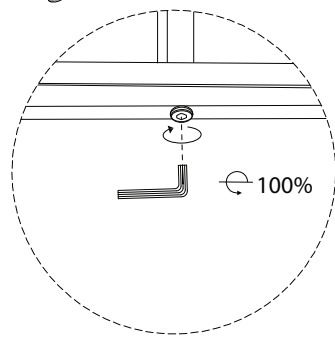
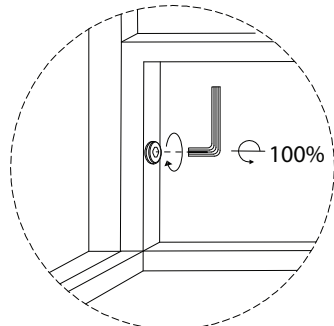
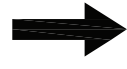
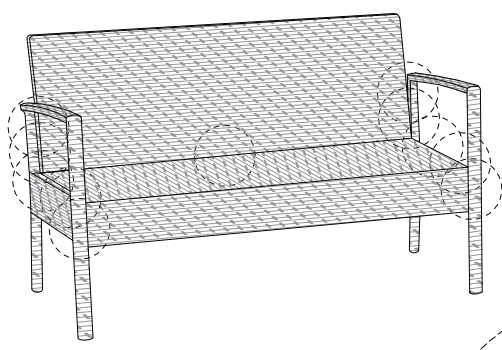


3

Z

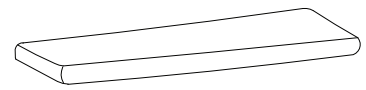


x 1

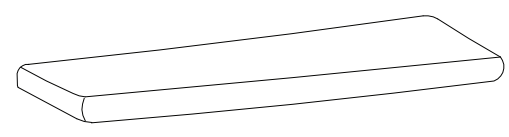


4

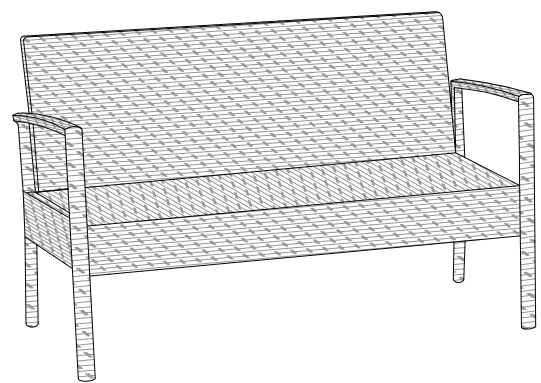
K

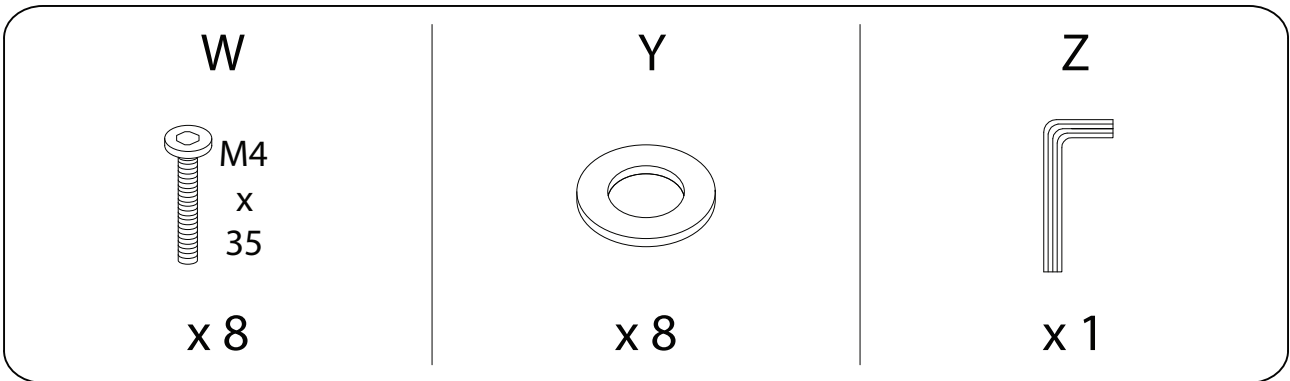
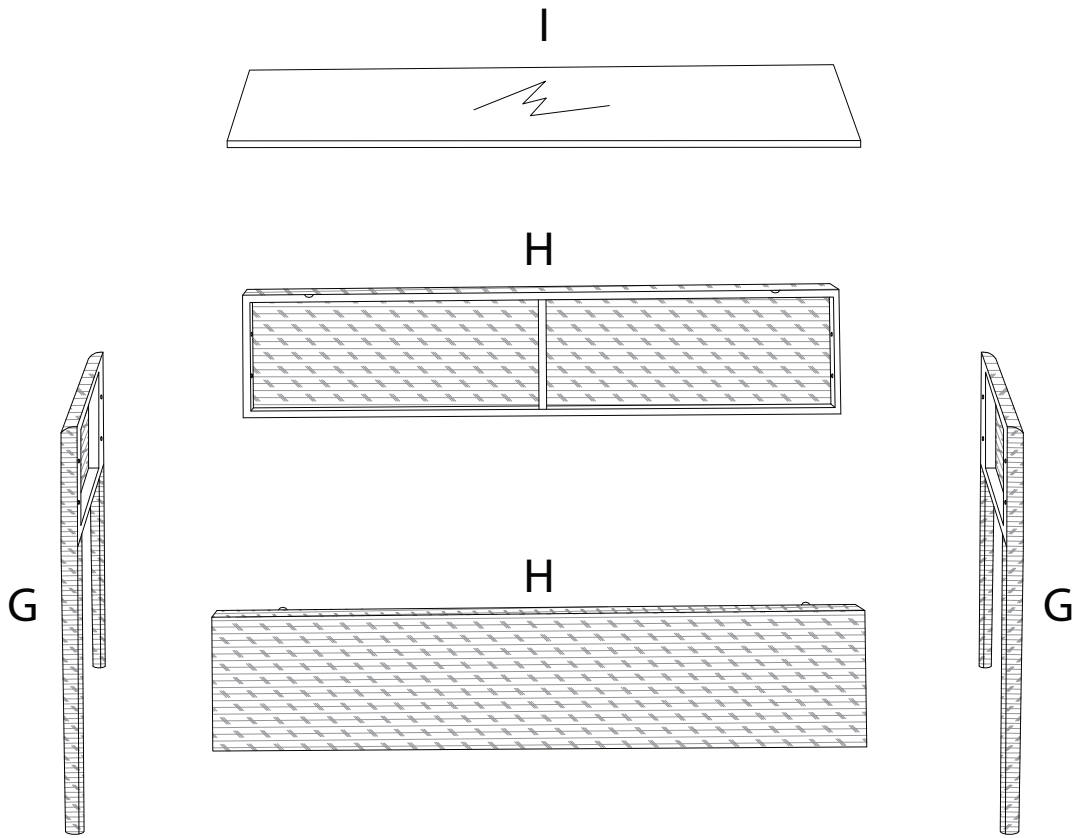
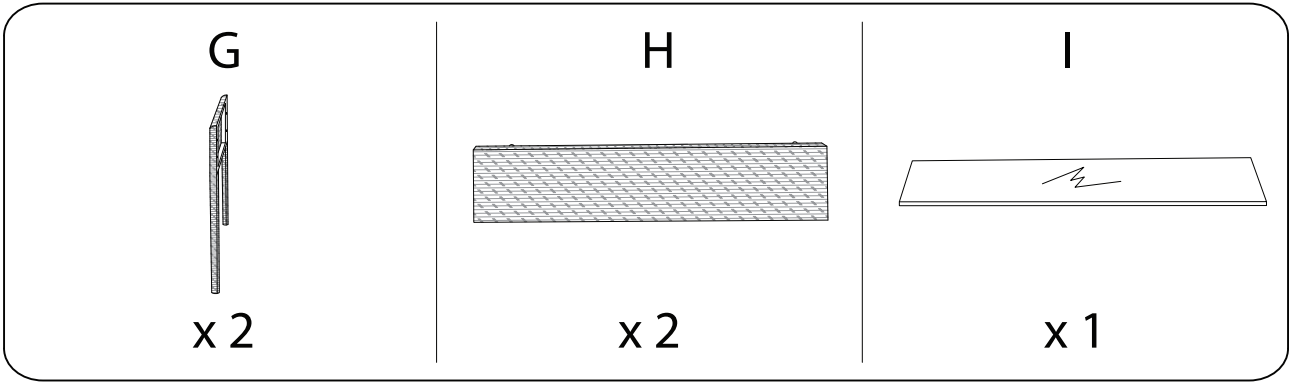


x 1

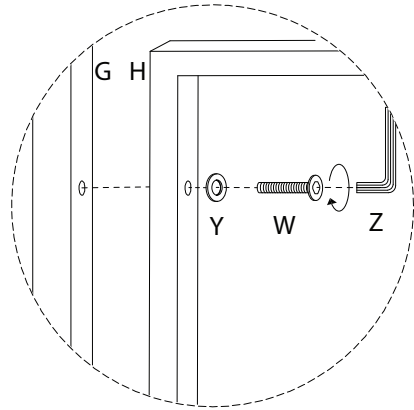
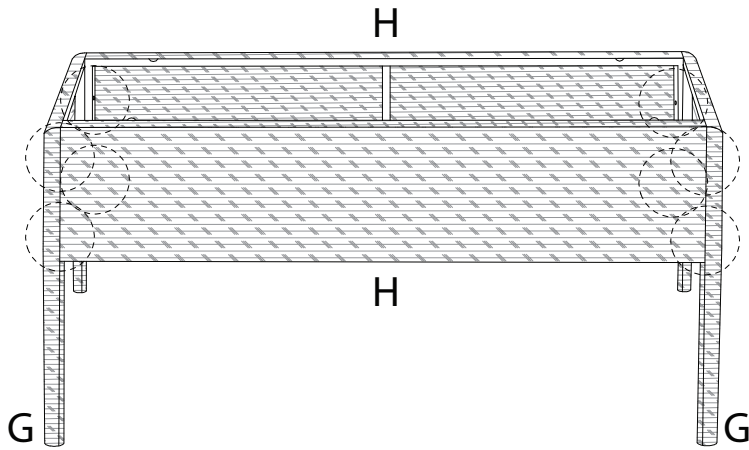
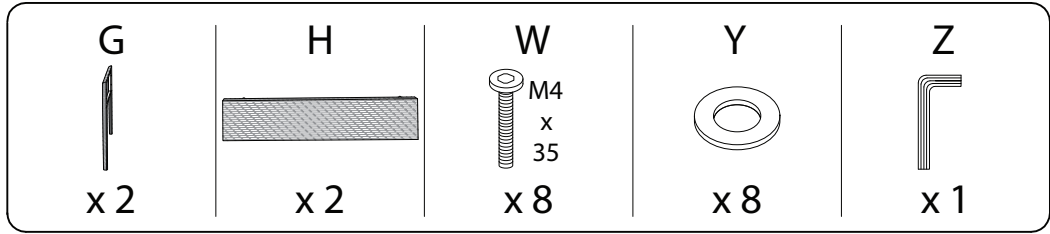


K





1



2

