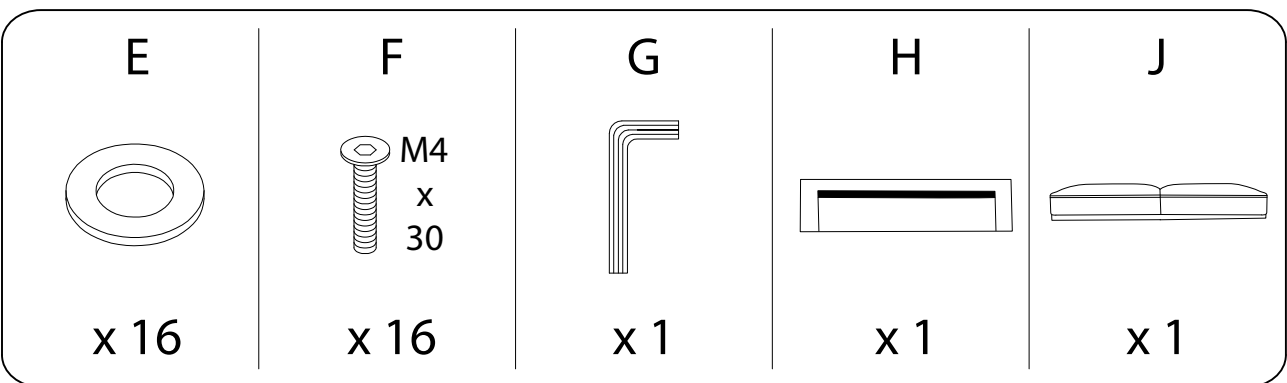
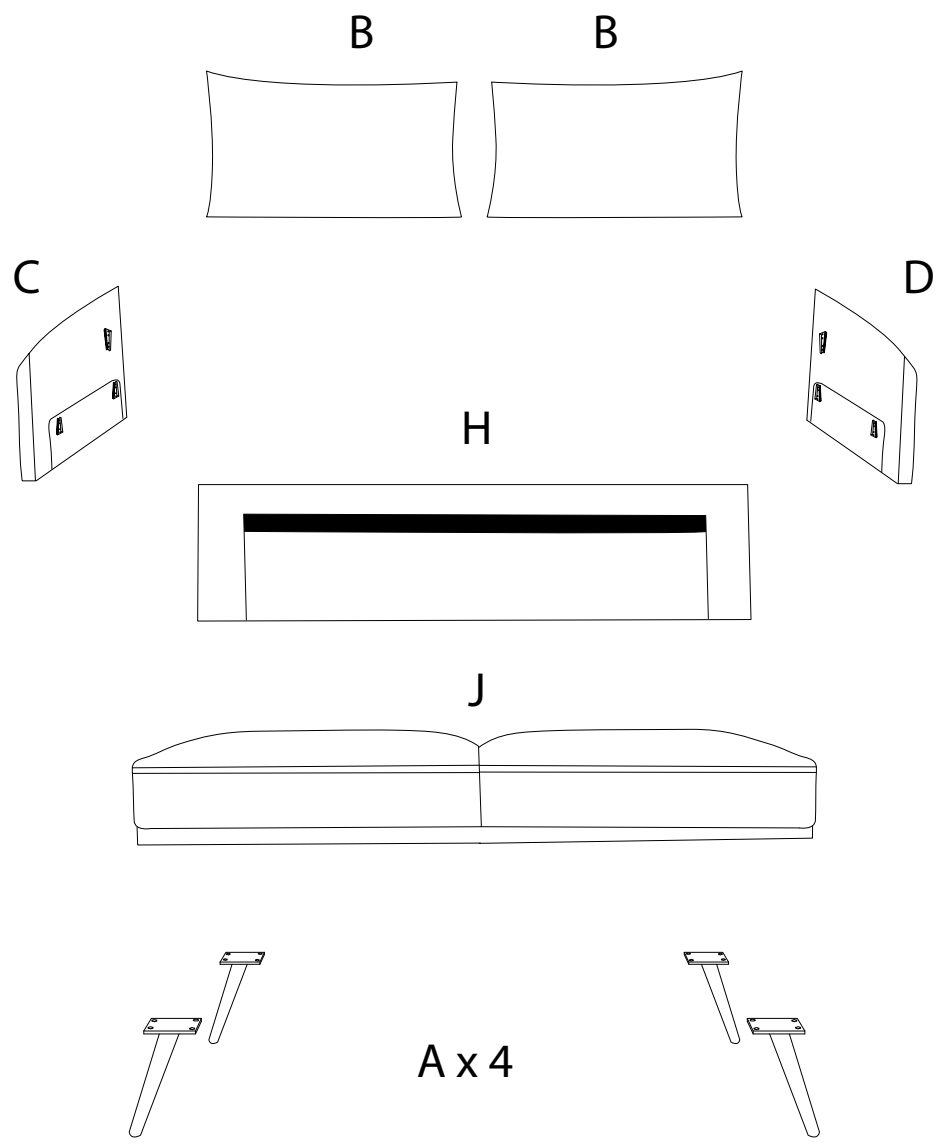
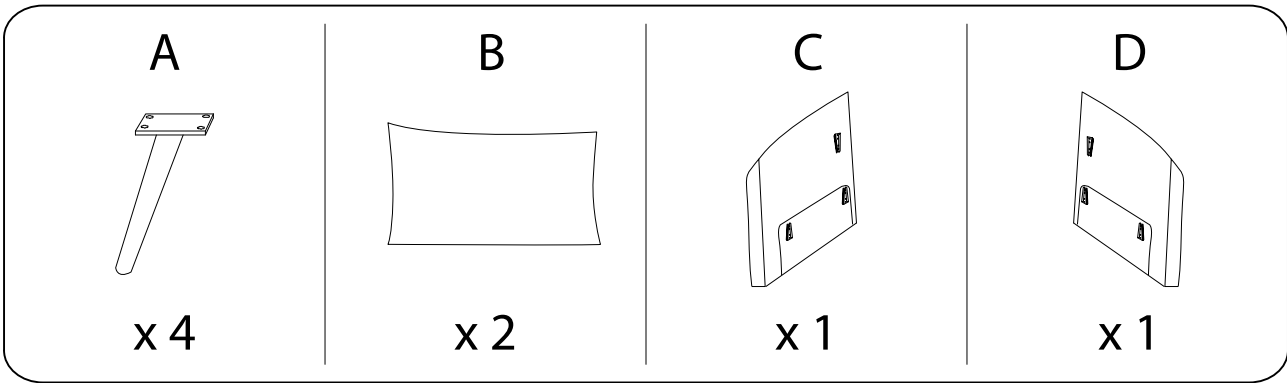
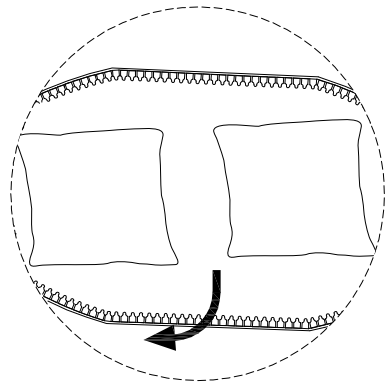
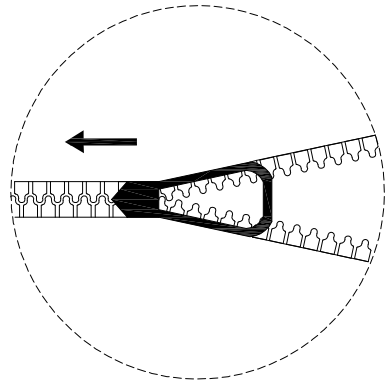
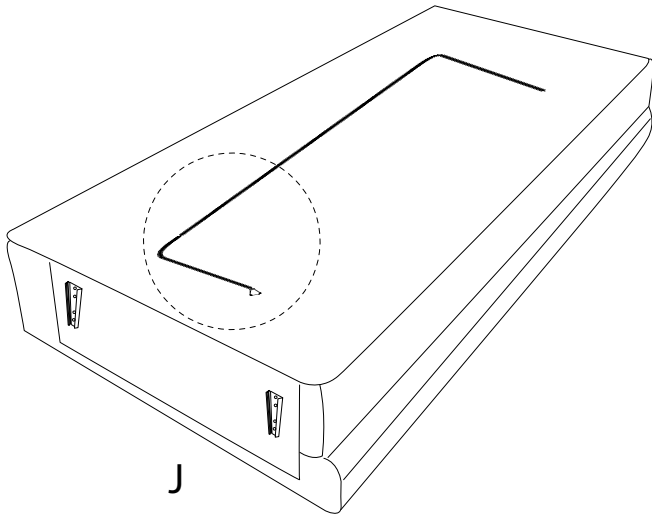


Diagram illustrating assembly instructions and safety warnings:



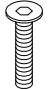
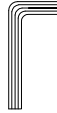
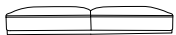
- Top Section:** Shows an Allen key and a power drill with a diagonal line through it, indicating that a power drill should not be used. A warning triangle with an exclamation mark is positioned to the right. Below this is a clock icon and the text "15'", indicating a 15-minute assembly time.
- Bottom Section:** Shows a rectangular block being placed on a textured surface and another block being inserted into a hole. A warning triangle with an exclamation mark is positioned to the right. Below this is a person icon and the number "1", indicating that one person is required for assembly.

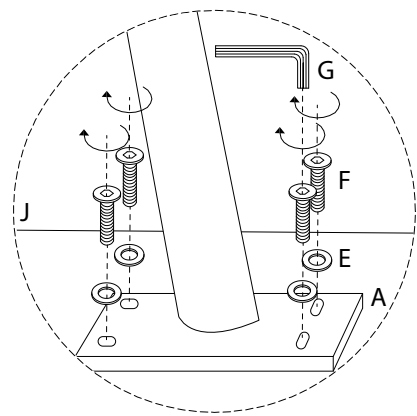
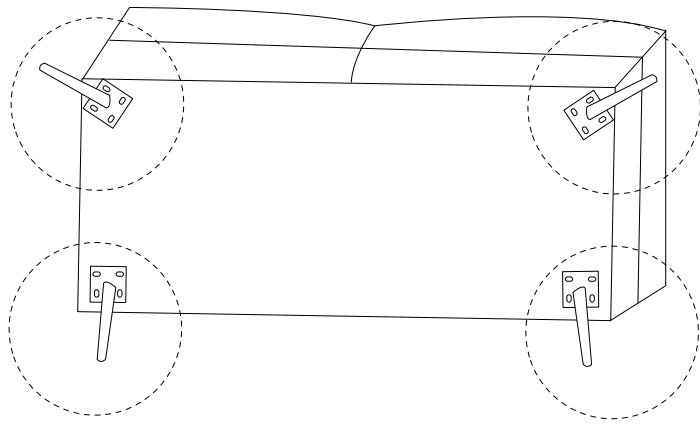


!

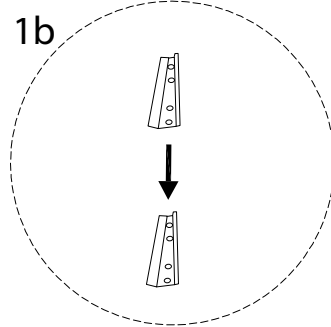
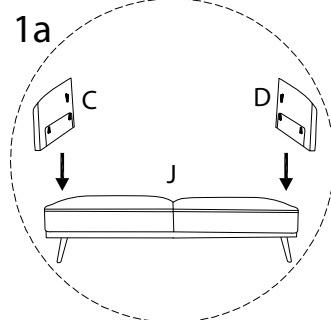
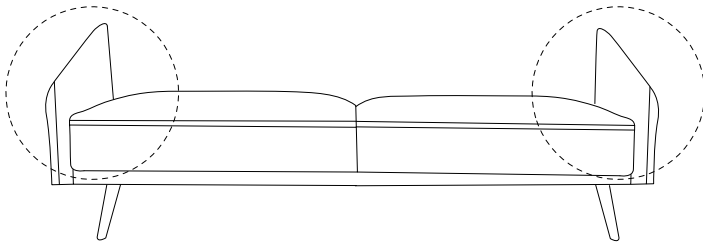


1

A  x 4	E  x 16	F  M4 x 30 x 16	G  x 1	J  x 1
--	---	---	--	--

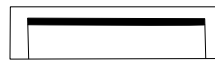


2

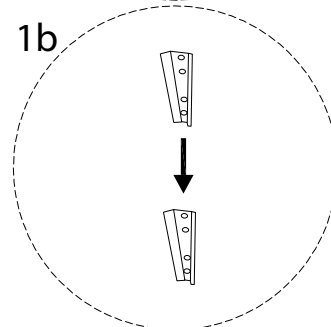
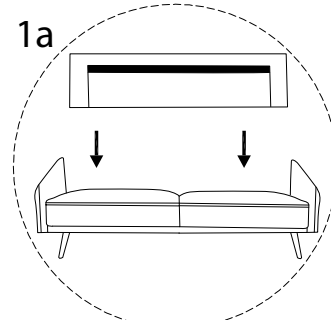
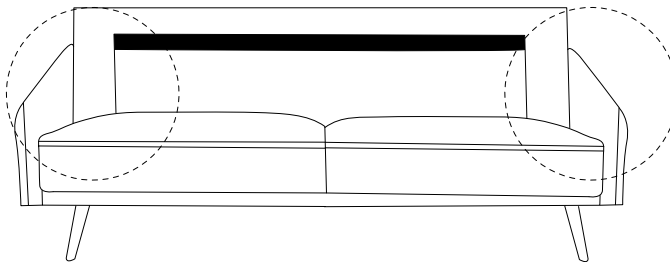


3

H



x 1



4

