

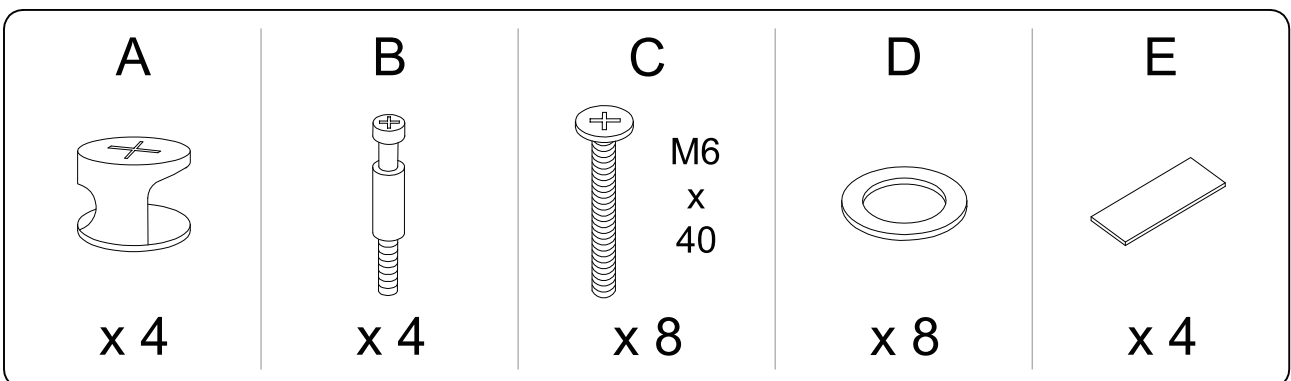
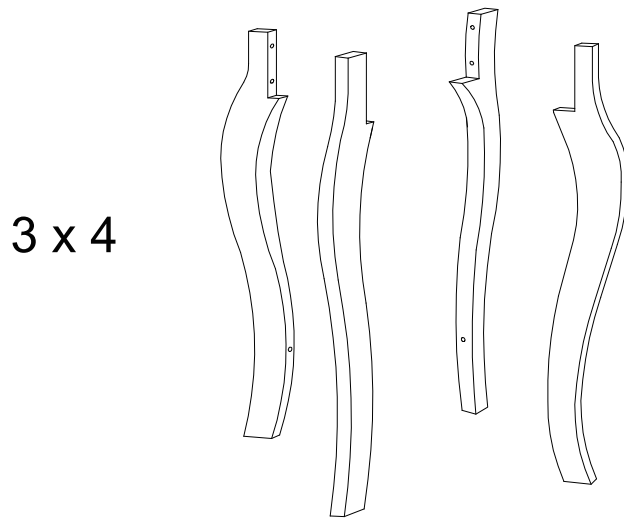
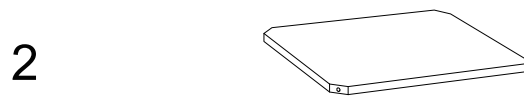
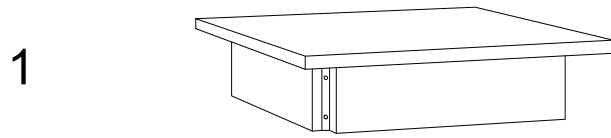
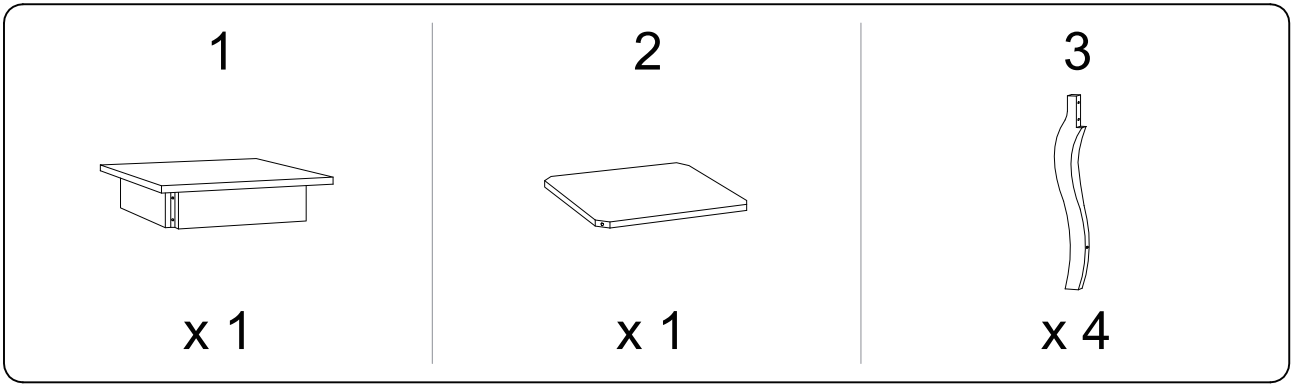
Assembly instructions for the table, including tool requirements, time, and person count.

Tools: A circular icon shows a screwdriver. A power drill icon is crossed out with a diagonal line, indicating it is not required.

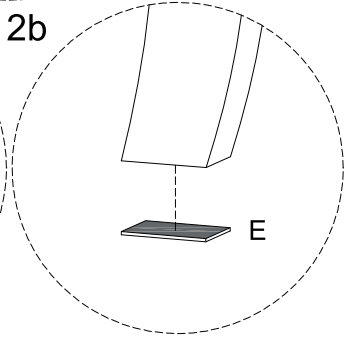
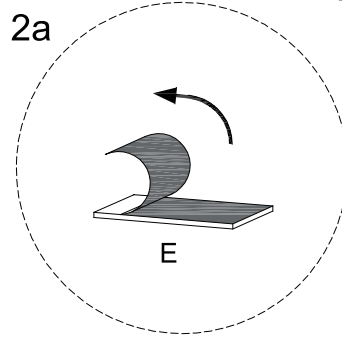
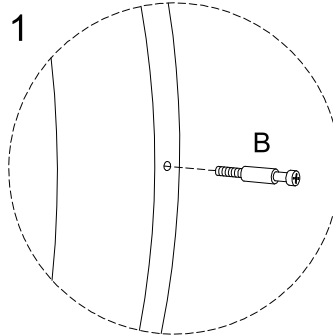
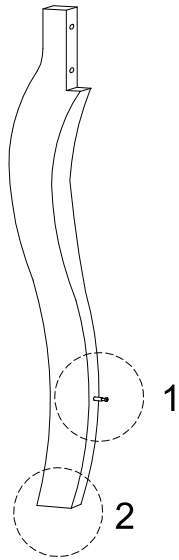
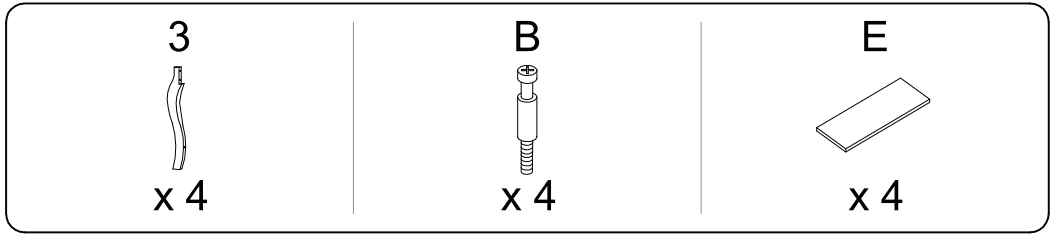
Time: A clock icon is shown next to the number **20'**, indicating the estimated assembly time.

Person Count: A stick figure icon is shown next to the number **1**, indicating that one person is required for assembly.

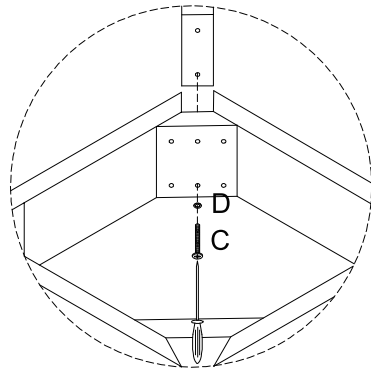
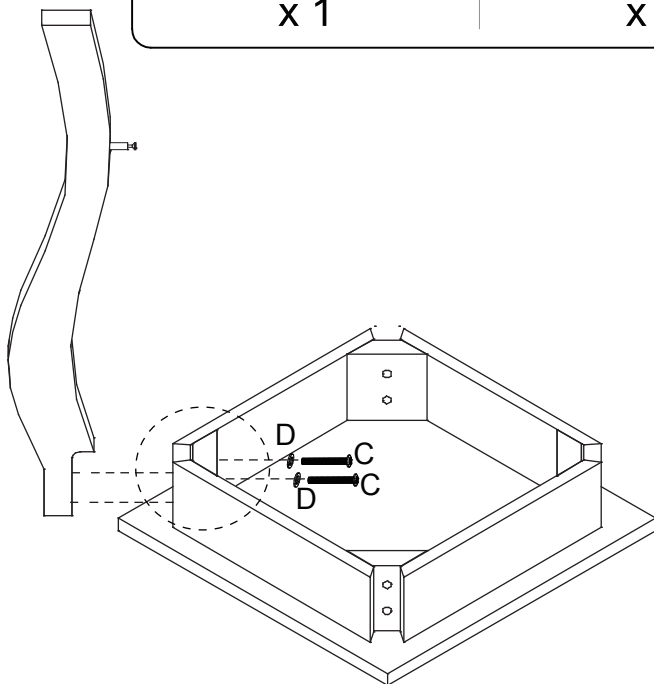
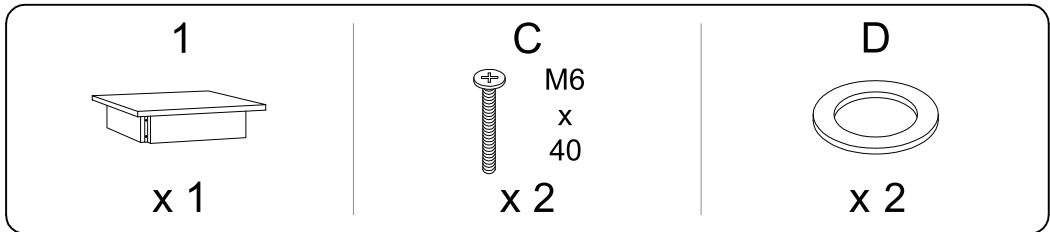
Warnings: Two triangular warning icons with exclamation marks are present. The first is connected to the tool icons, and the second is connected to the person count icon.



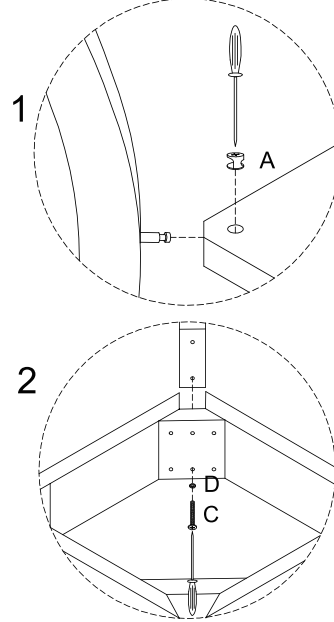
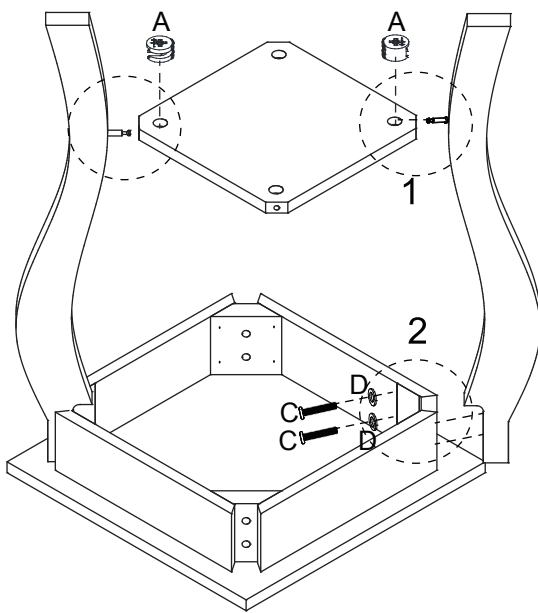
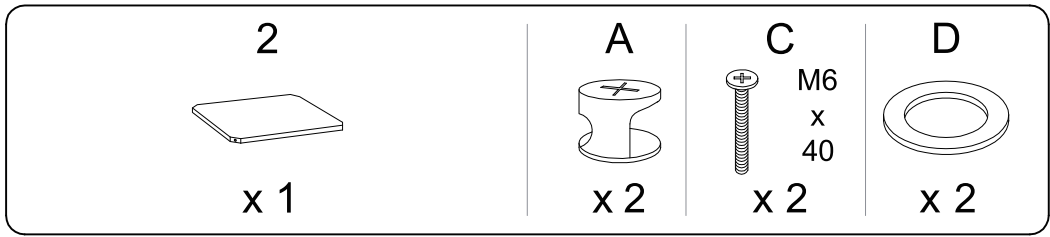
1



2



3



4

