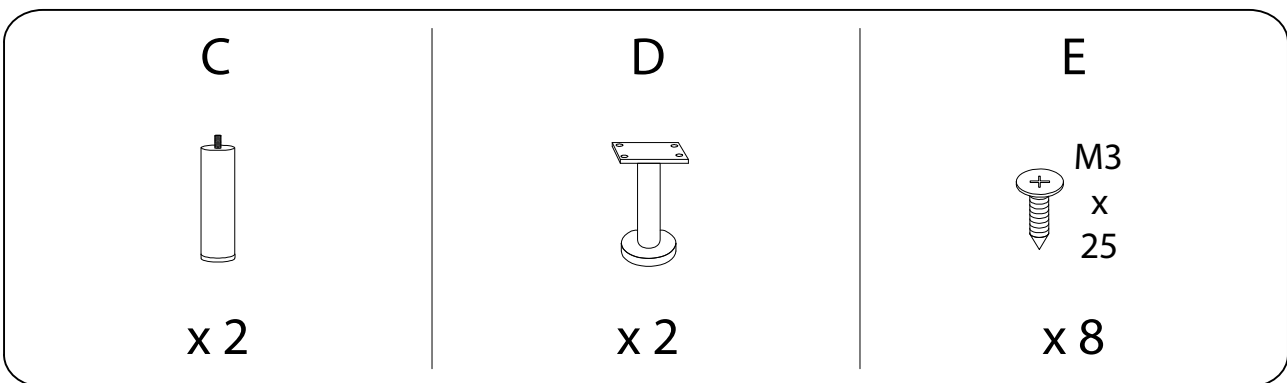
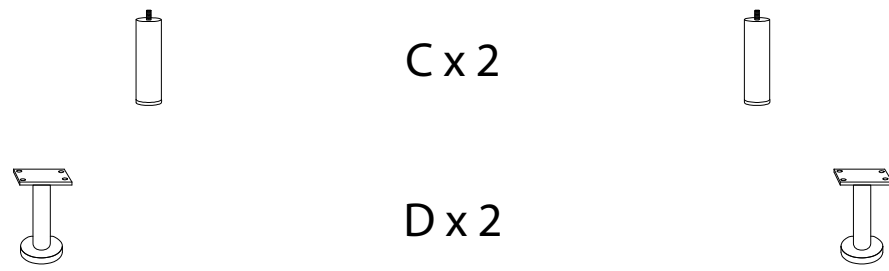
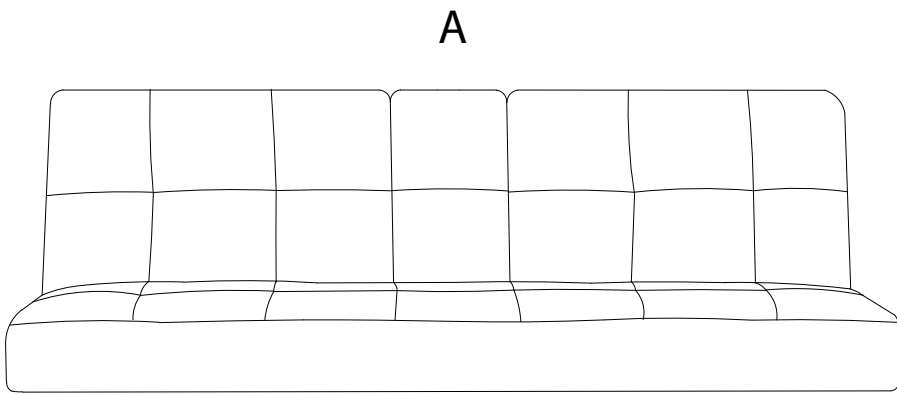
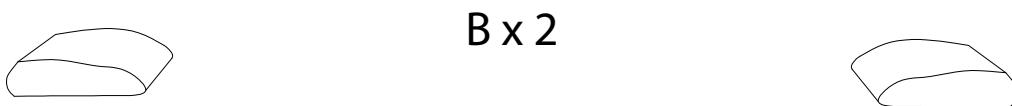
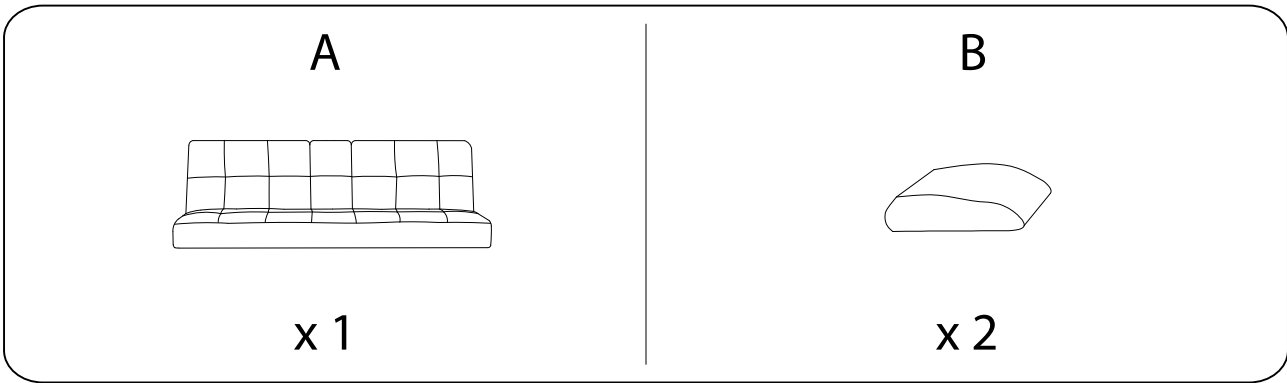


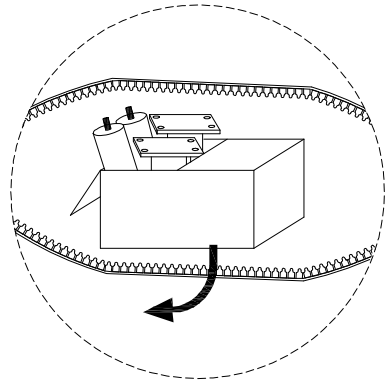
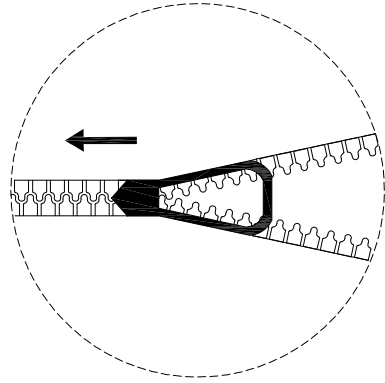
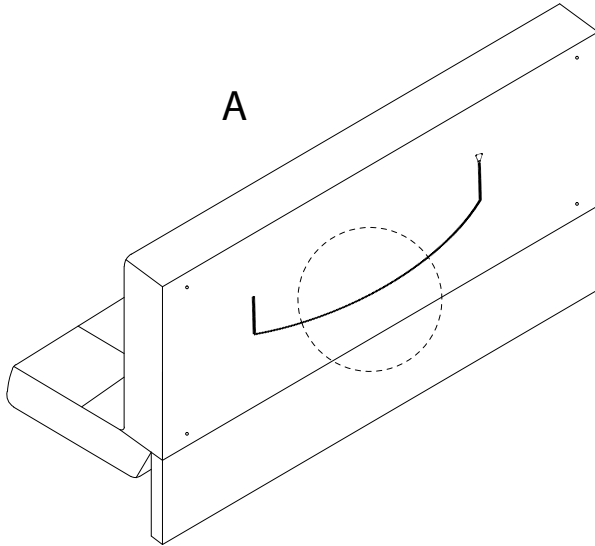
Assembly instructions for the sofa base:

- Top Section:** A box containing a screwdriver icon and a crossed-out power drill icon, with a warning triangle above it. To the right is a clock icon and the text "20'".
- Bottom Section:** A box containing a block being placed on a mat and a crossed-out block being placed on a mat, with a warning triangle above it. To the right is a person icon and the text "1".

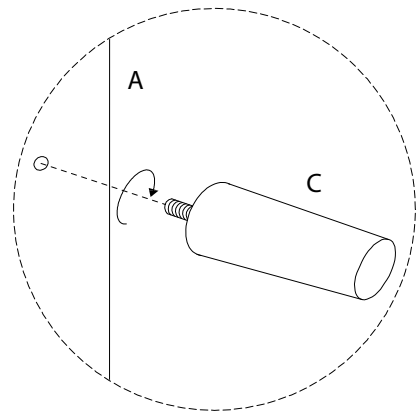
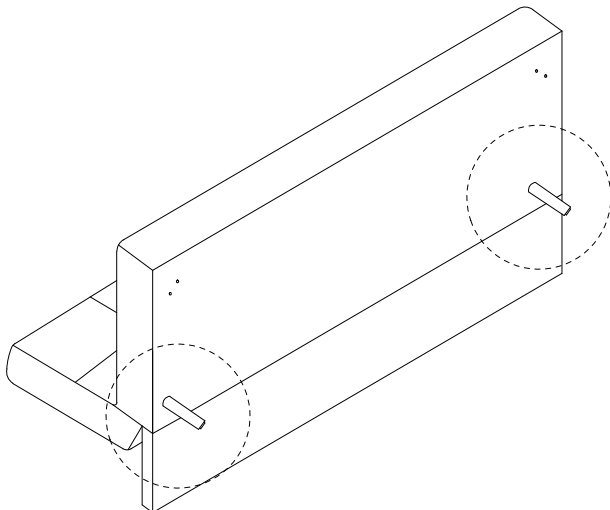
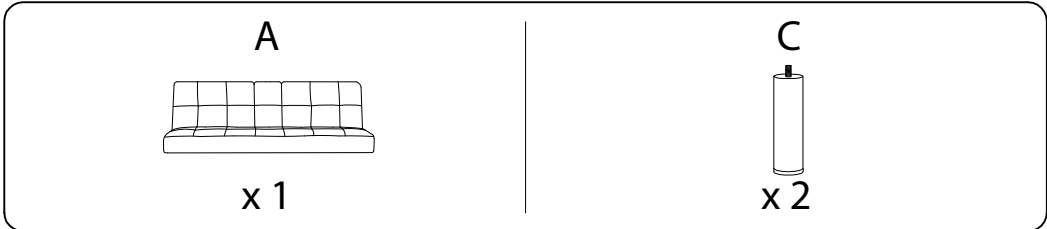
1/5



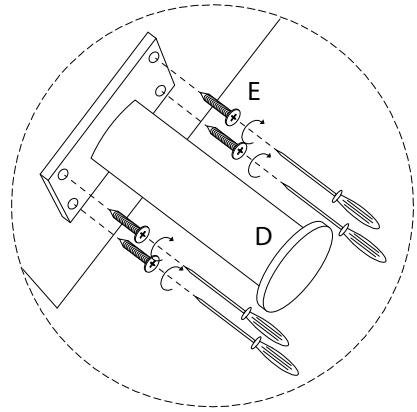
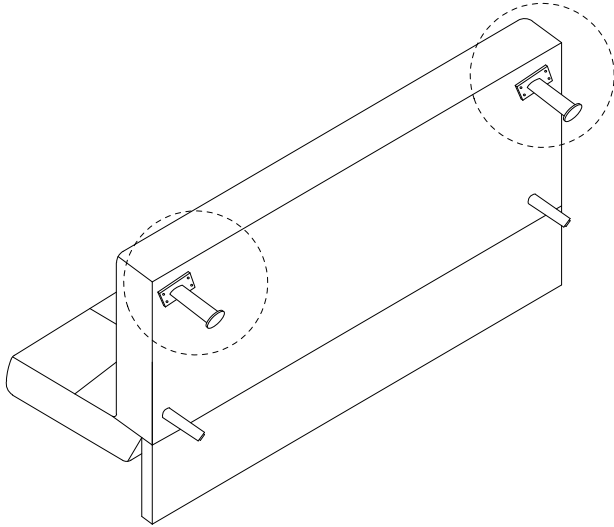
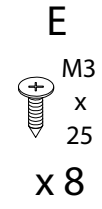
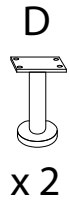
!



1

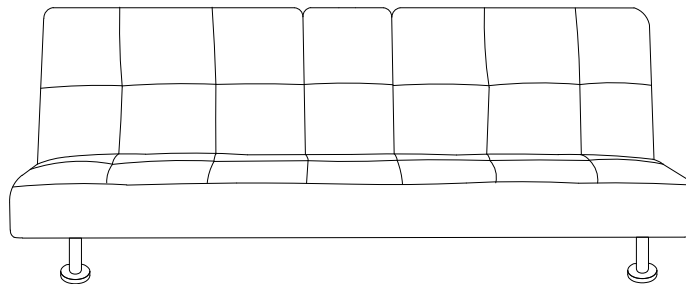
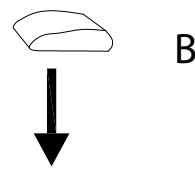
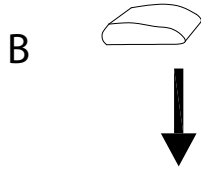
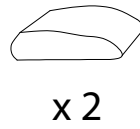


2

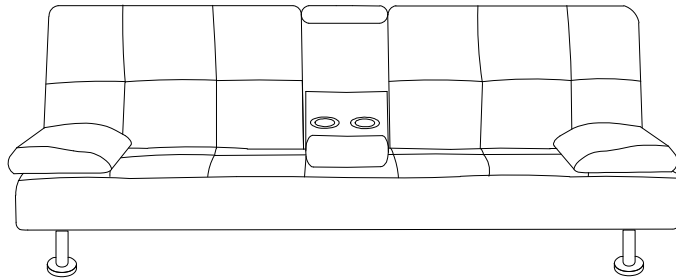
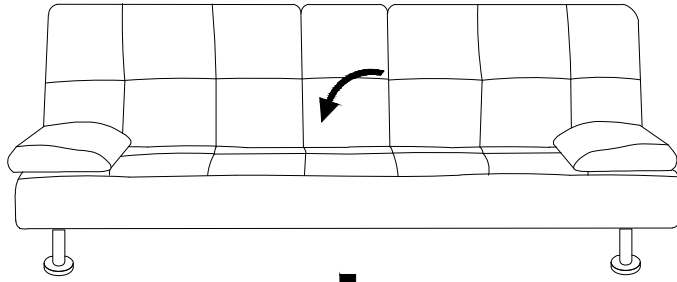


3

B



!



!

