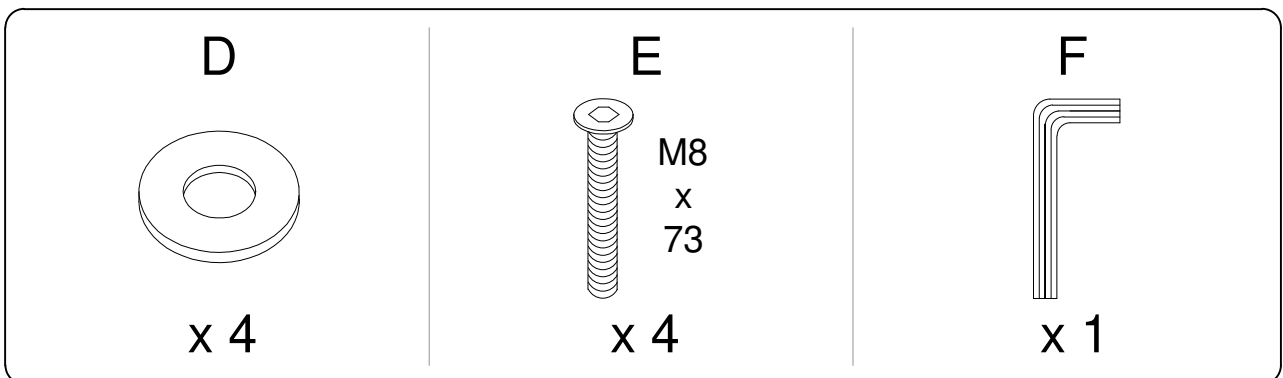
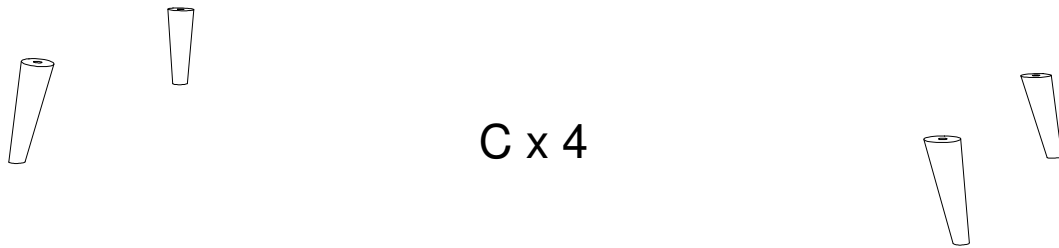
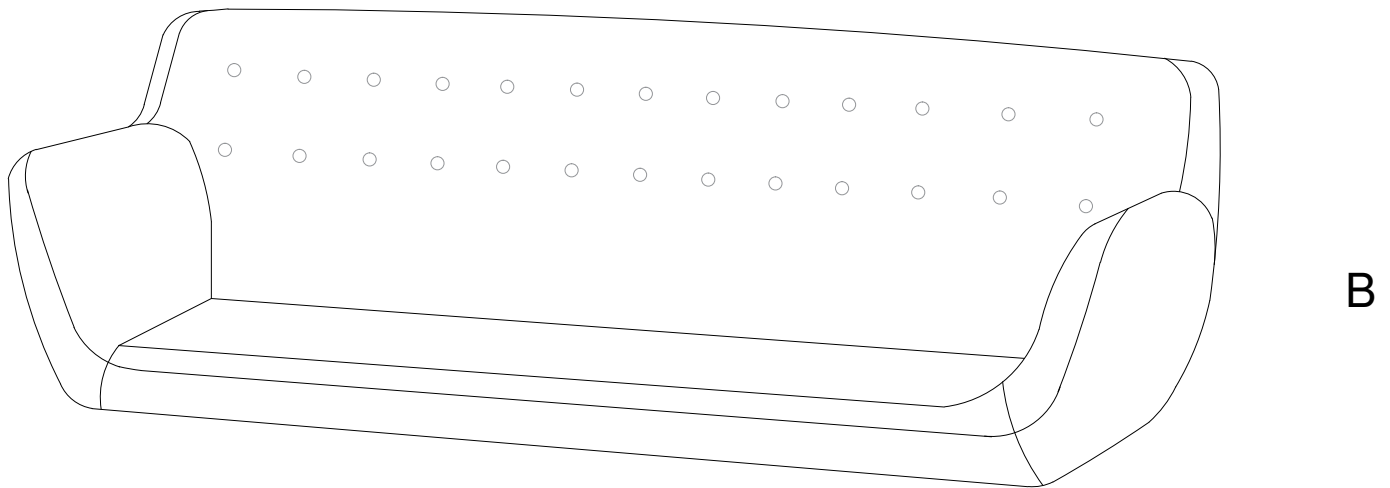
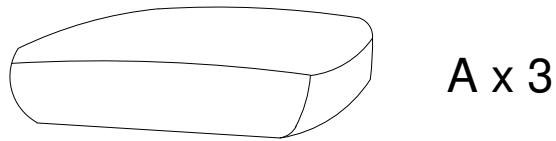
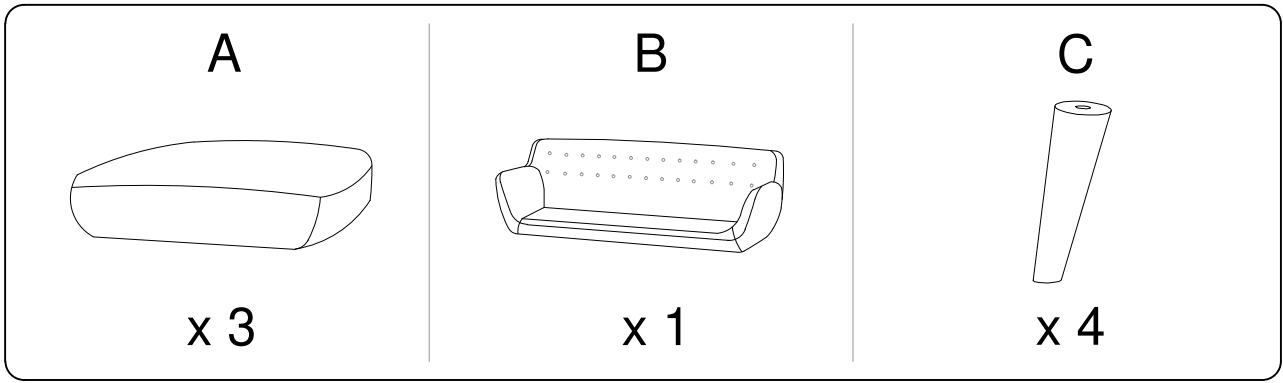
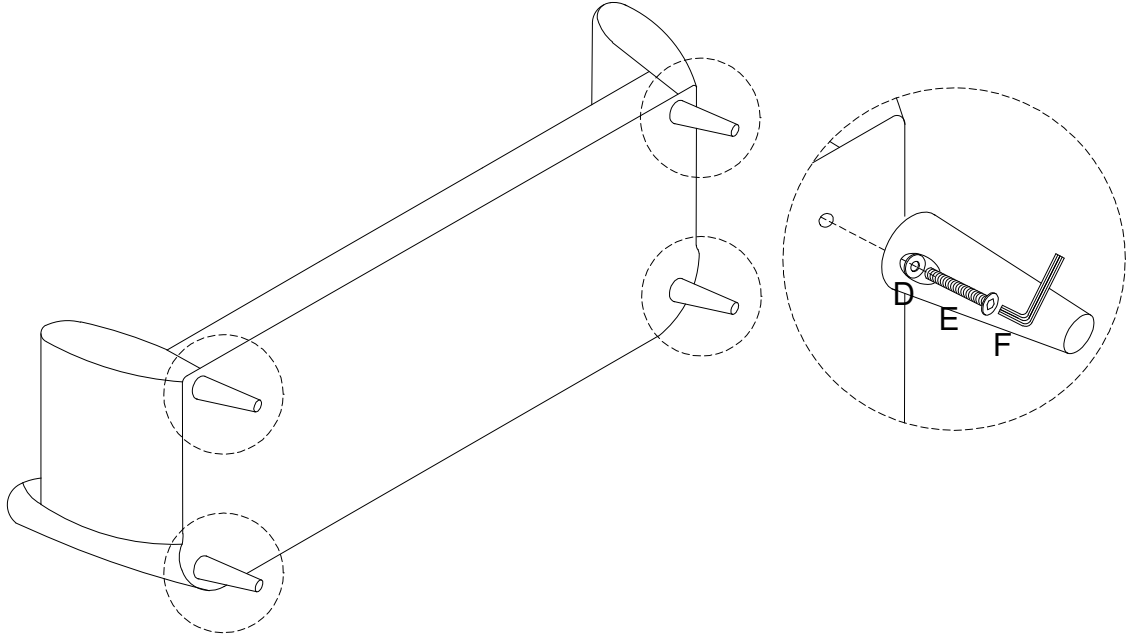
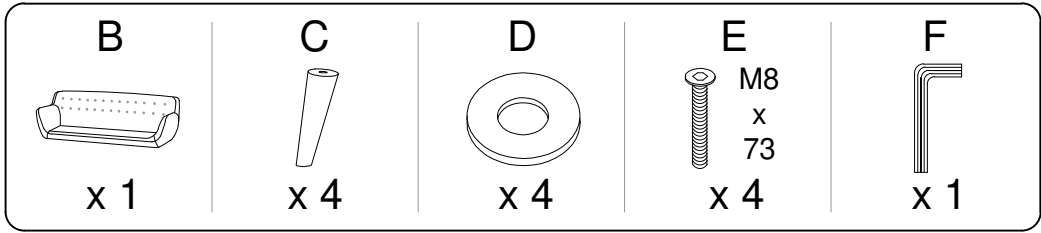


Diagram illustrating assembly instructions and warnings:

- Warning 1:** A warning triangle with an exclamation mark is connected by a vertical line to a box containing:
 - An icon of an L-shaped corner bracket.
 - An icon of a power drill with a slash through it, indicating that a power drill should not be used.
- Warning 2:** A second warning triangle with an exclamation mark is connected by a vertical line to a box containing:
 - An icon of a rectangular block being placed on a textured surface.
 - An icon of a rectangular block with a slash through it, indicating that the block should not be placed on a hard surface.
- Time:** A clock icon is positioned to the right of the first warning, with the text "20'" below it, indicating a 20-minute assembly time.
- Person:** An icon of a person is positioned to the right of the second warning, with the text "1" below it, indicating that one person is required for assembly.



1



2

