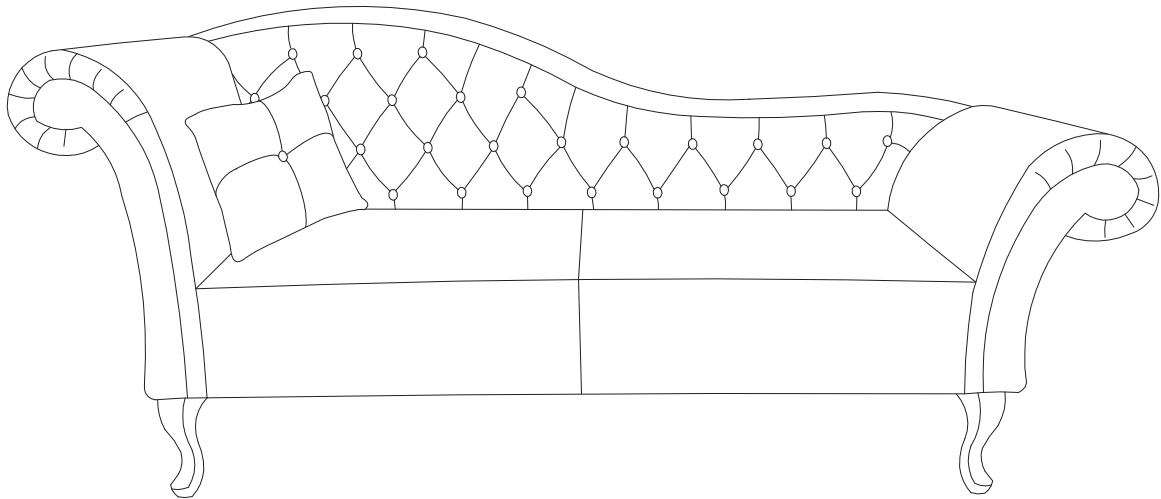
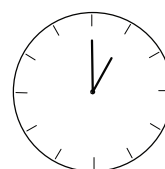
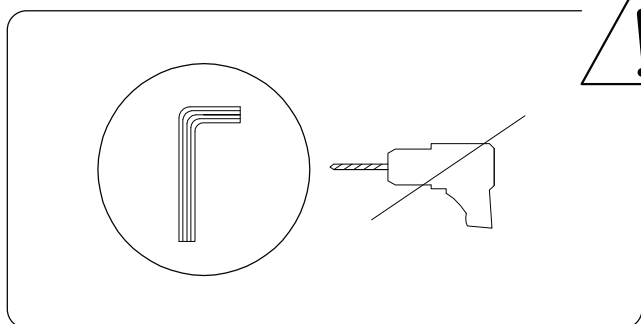
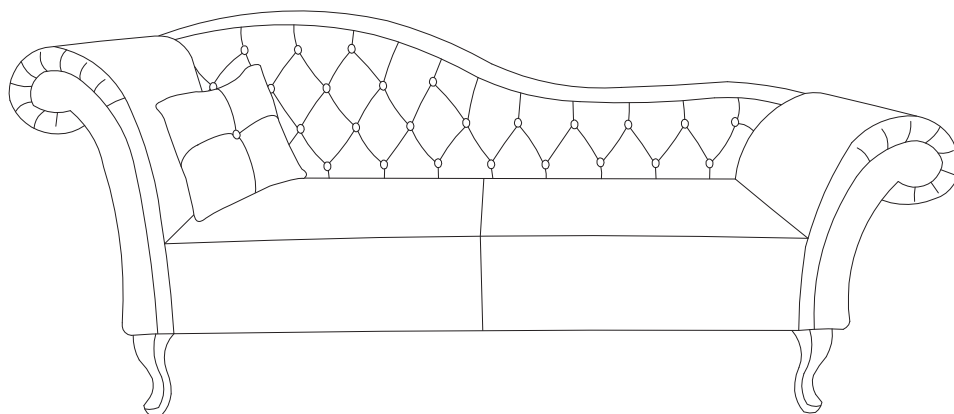
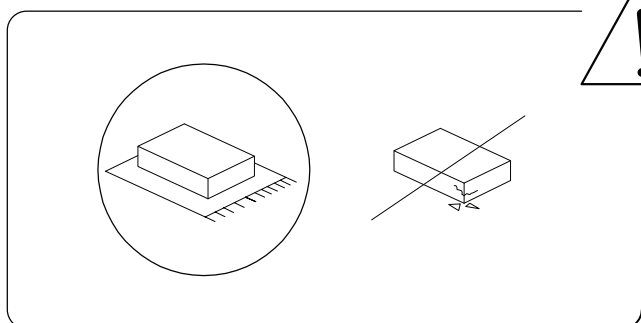


LATTES



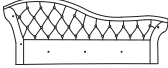

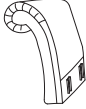
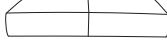
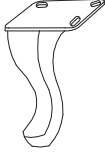


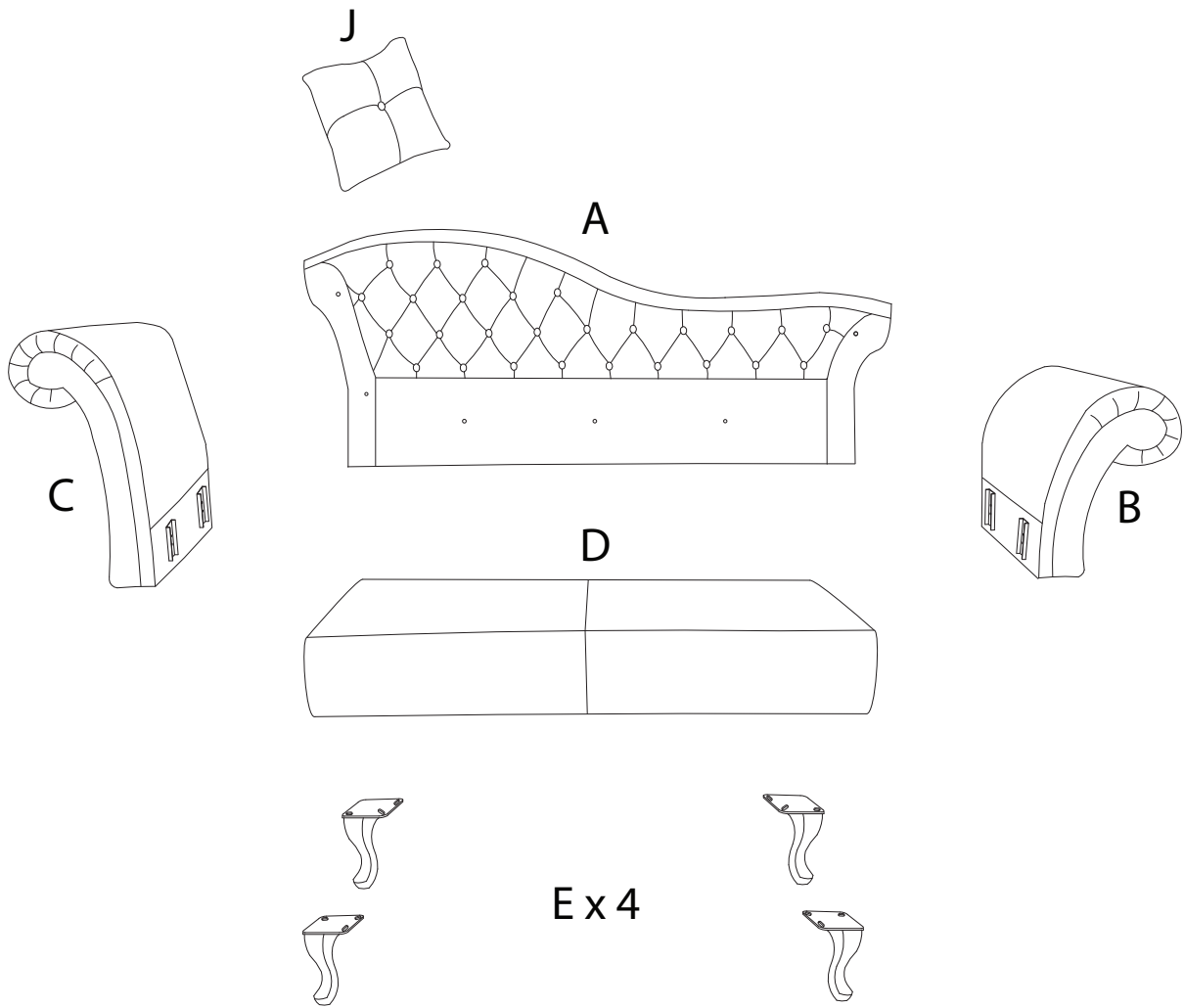
60'

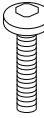
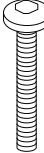
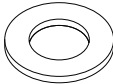

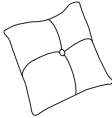


2

1/5

A	B	C	D	E
				
x 1	x 1	x 1	x 1	x 4



F	G	H	I	J
 M8 x 25	 M8 x 40			
x 12	x 6	x 6	x 1	x 1

1

B



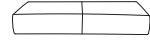
x1

C

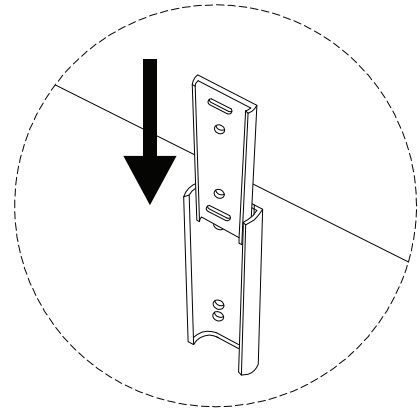
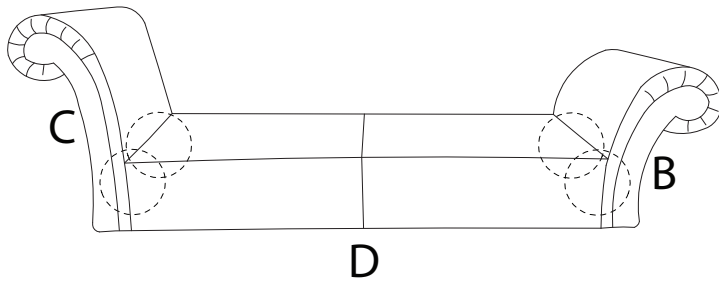


x1

D

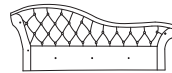


x1

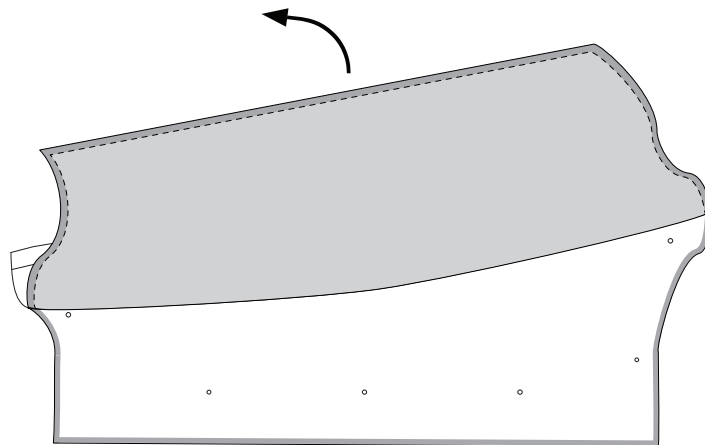


!

A



x1



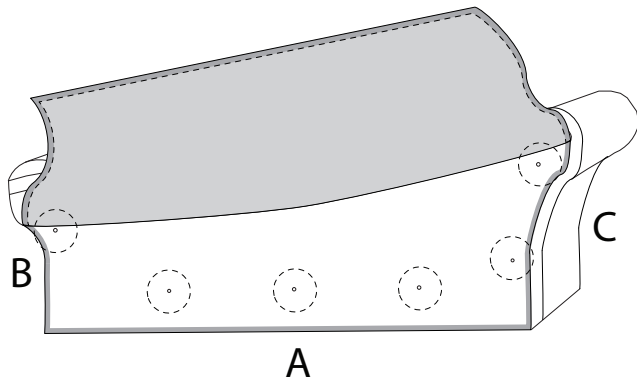
A

2

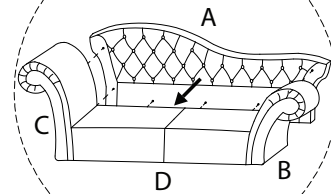
G
M8
x
40
x 6

H
x 6

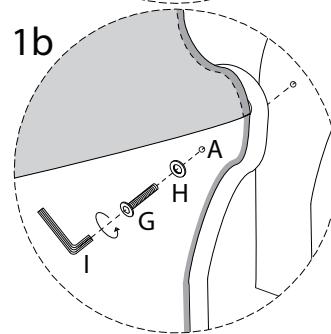
I
x 1



1a



1b

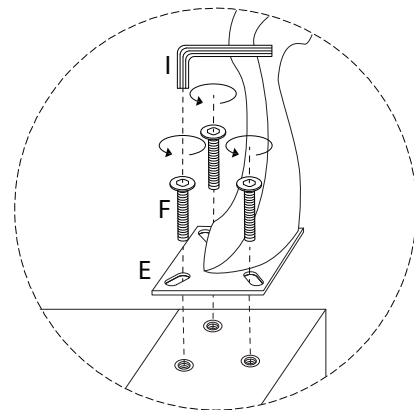
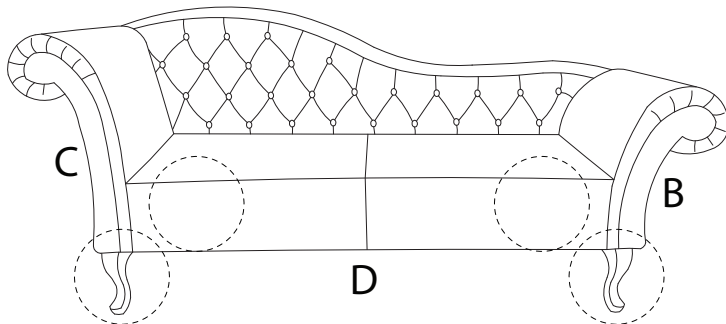


3

E
x 4

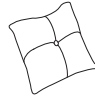
F
M8
x
25
x 12

I
x 1



4

J



x 1

J

