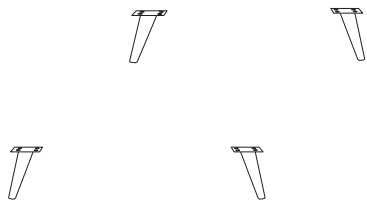
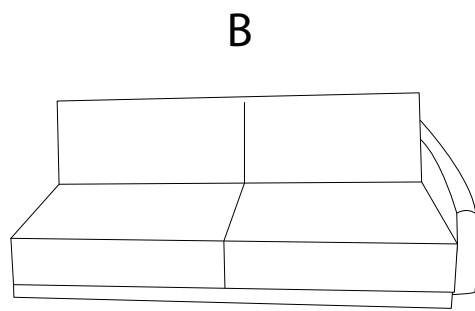
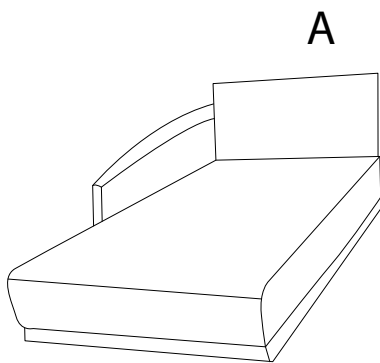
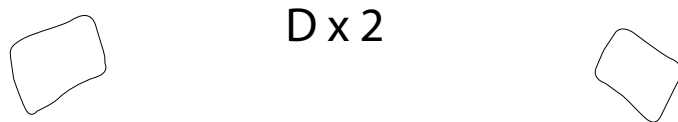
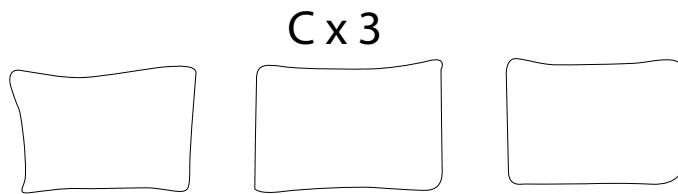
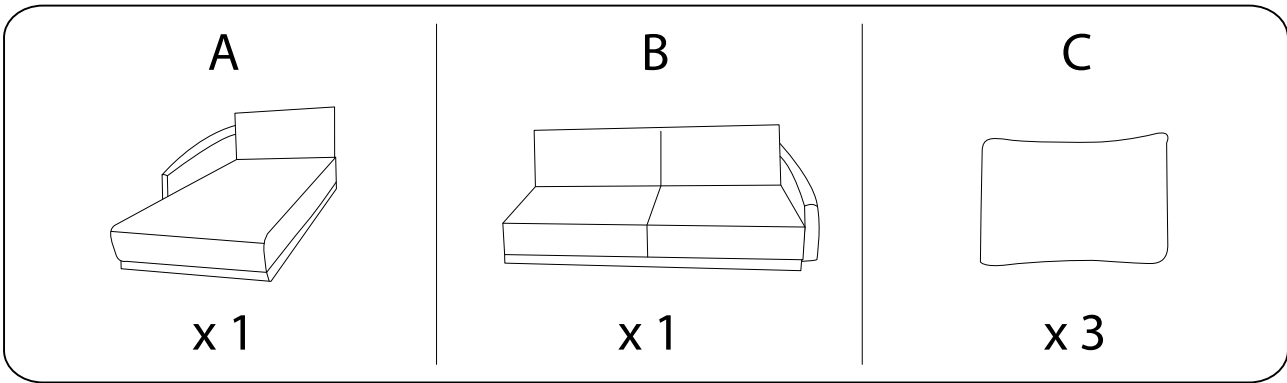
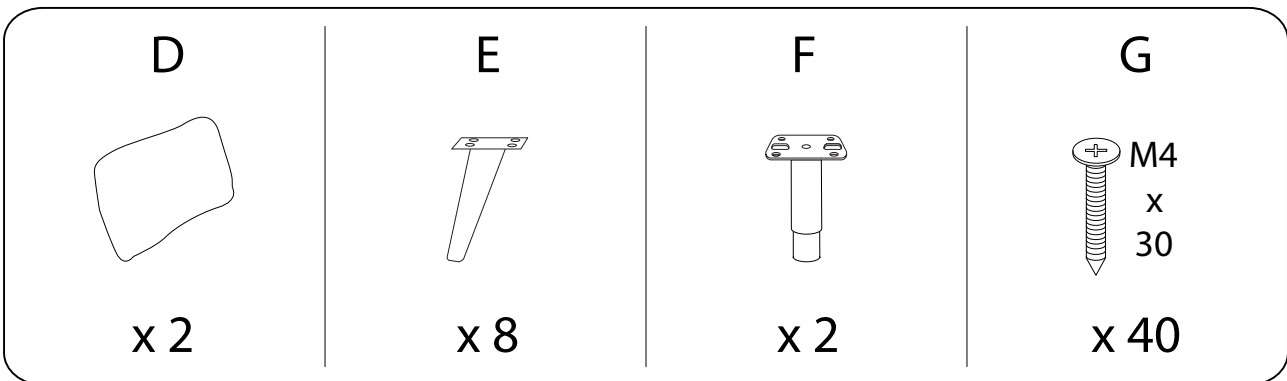
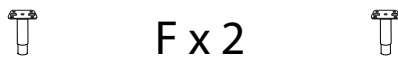


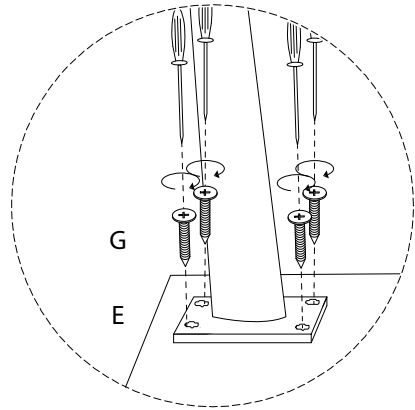
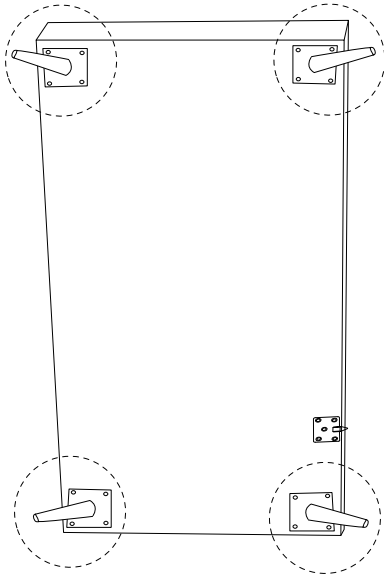
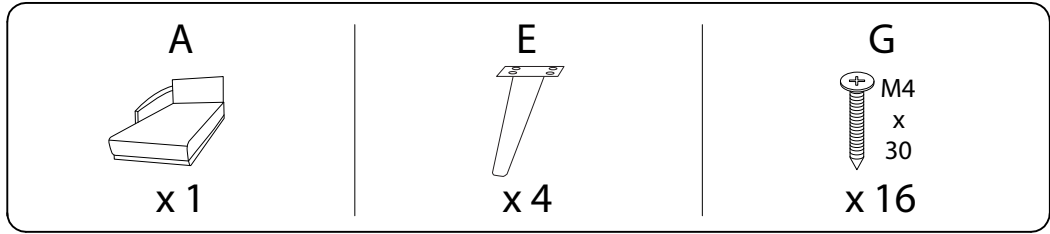
		20'
		1



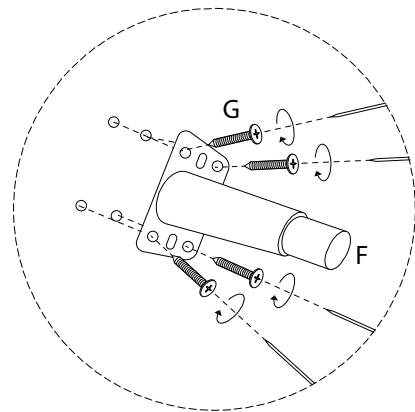
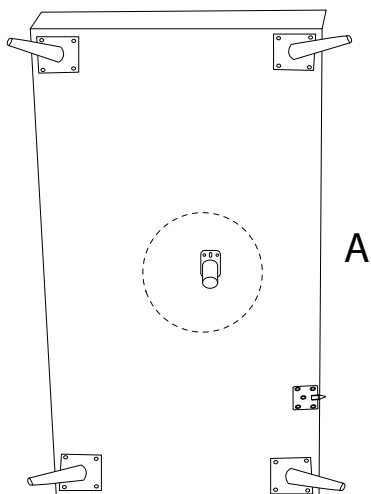
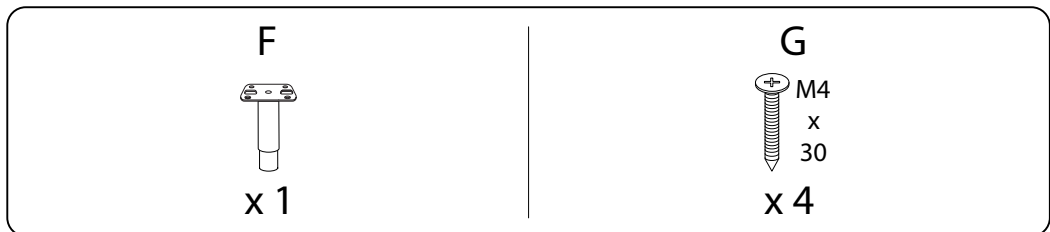
**E x 8**



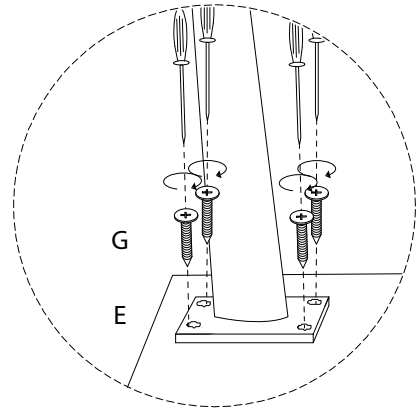
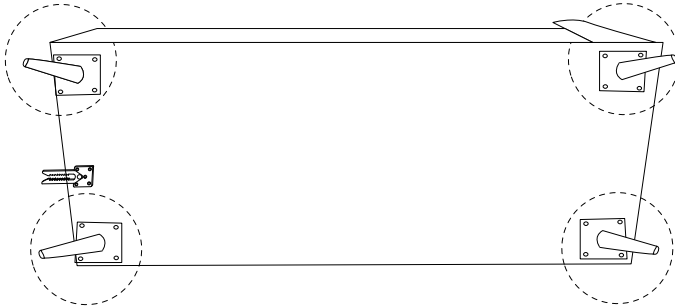
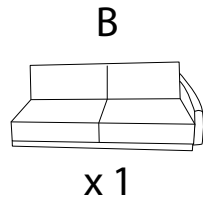
1



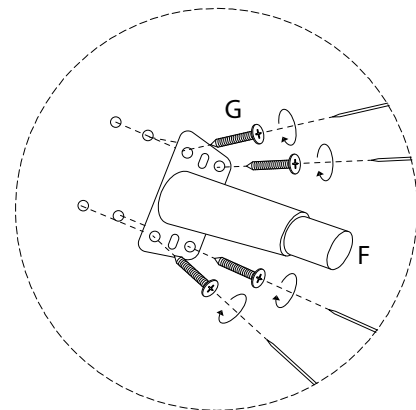
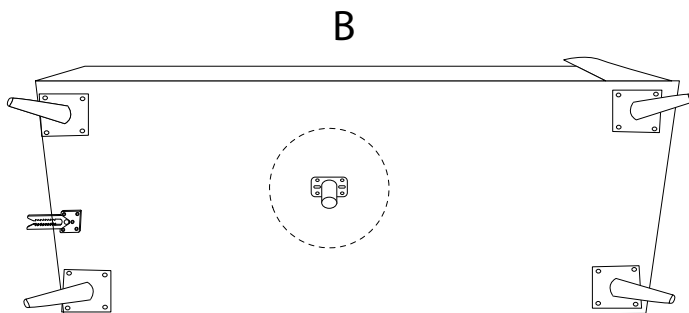
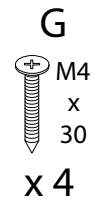
2



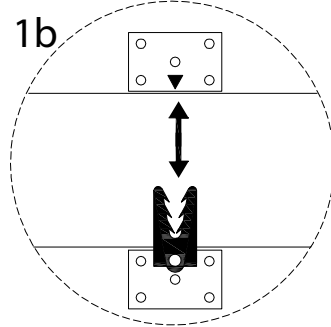
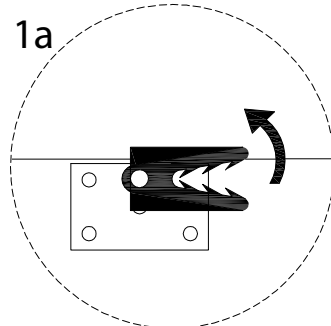
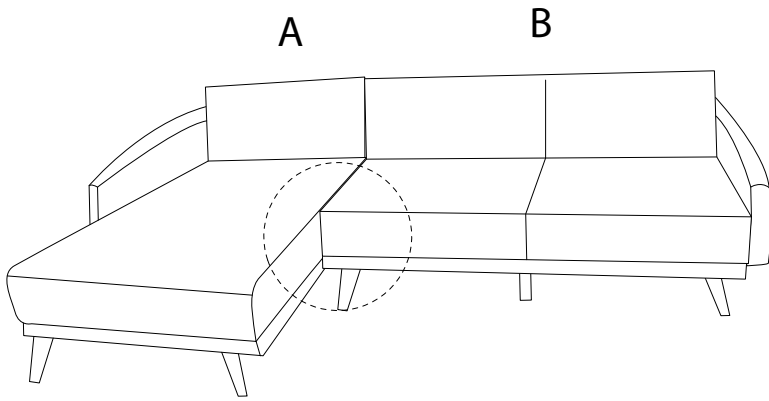
3



4



5



6

