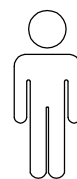
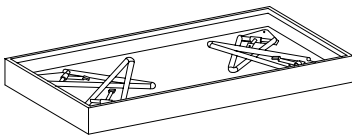


15'



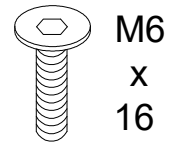
1

1



x 1

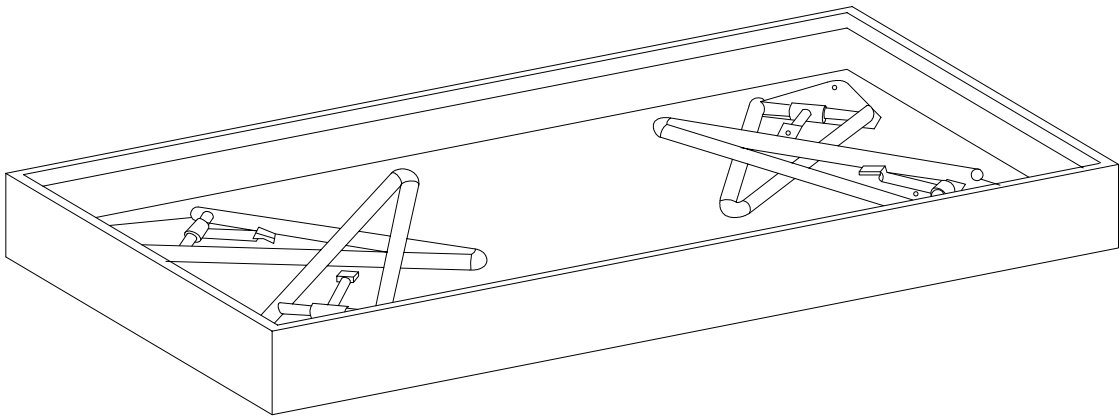
A



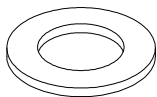
M6  
x  
16

x 4

1

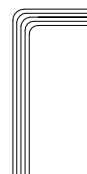


B



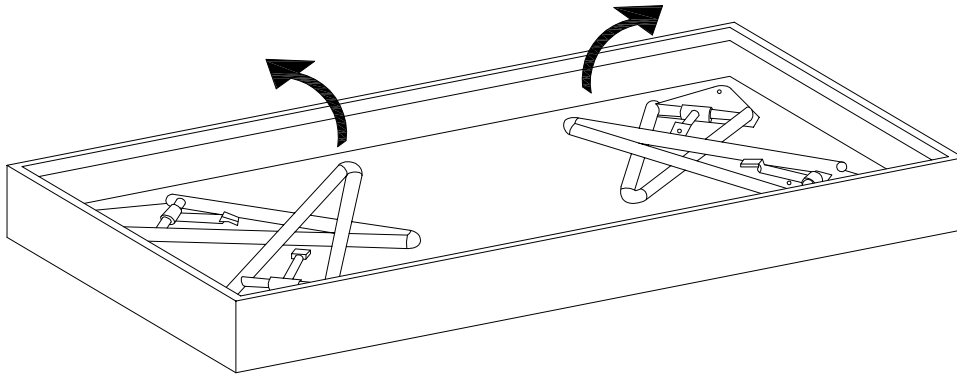
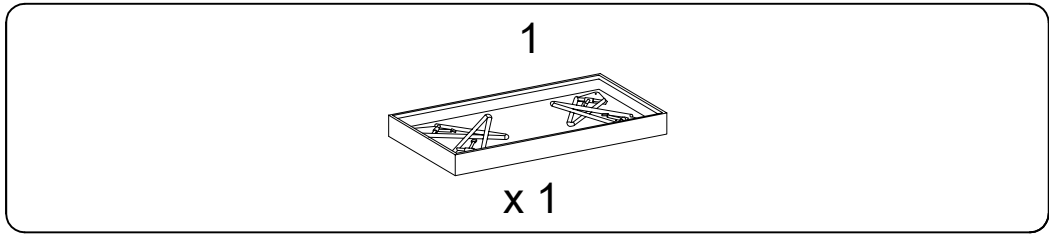
x 4

C



x 1

1



2

