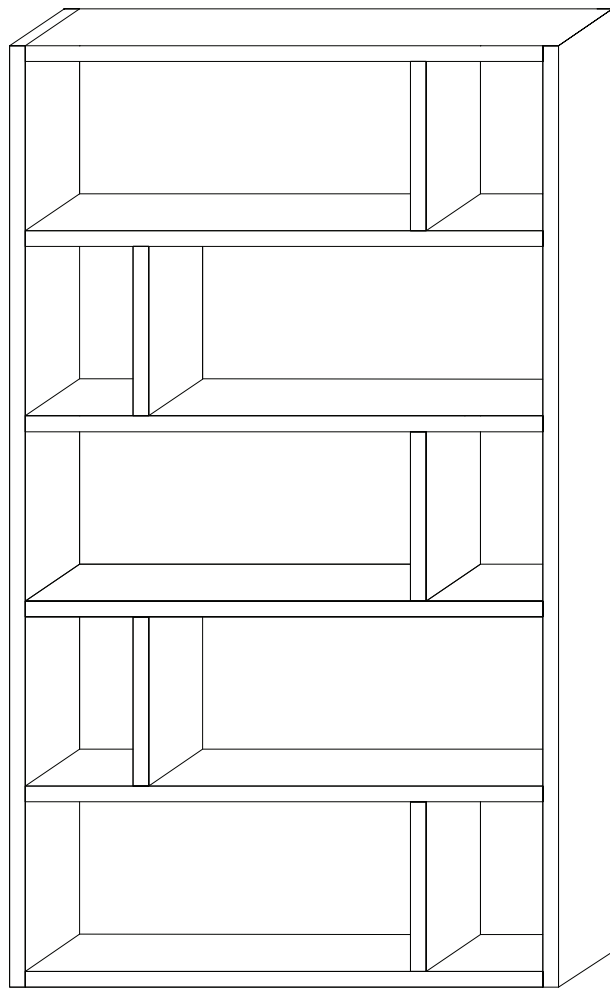
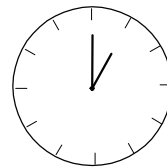
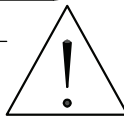
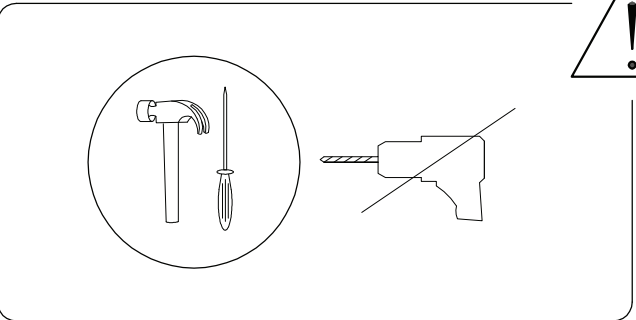
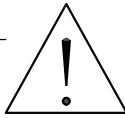
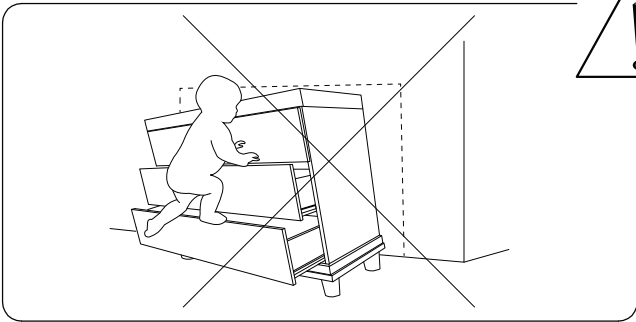
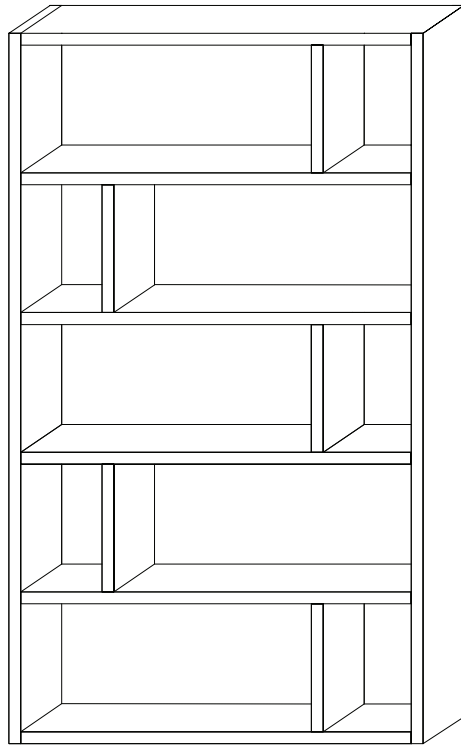
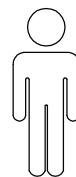
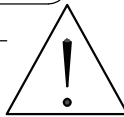
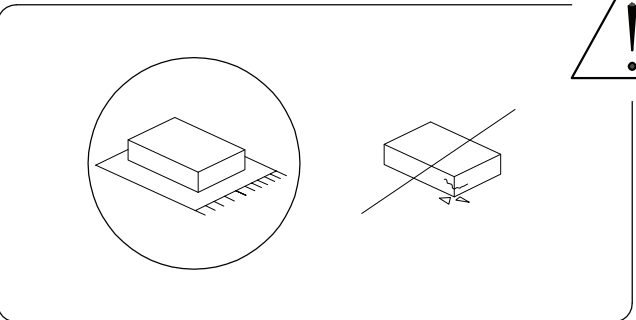


# ORILLA

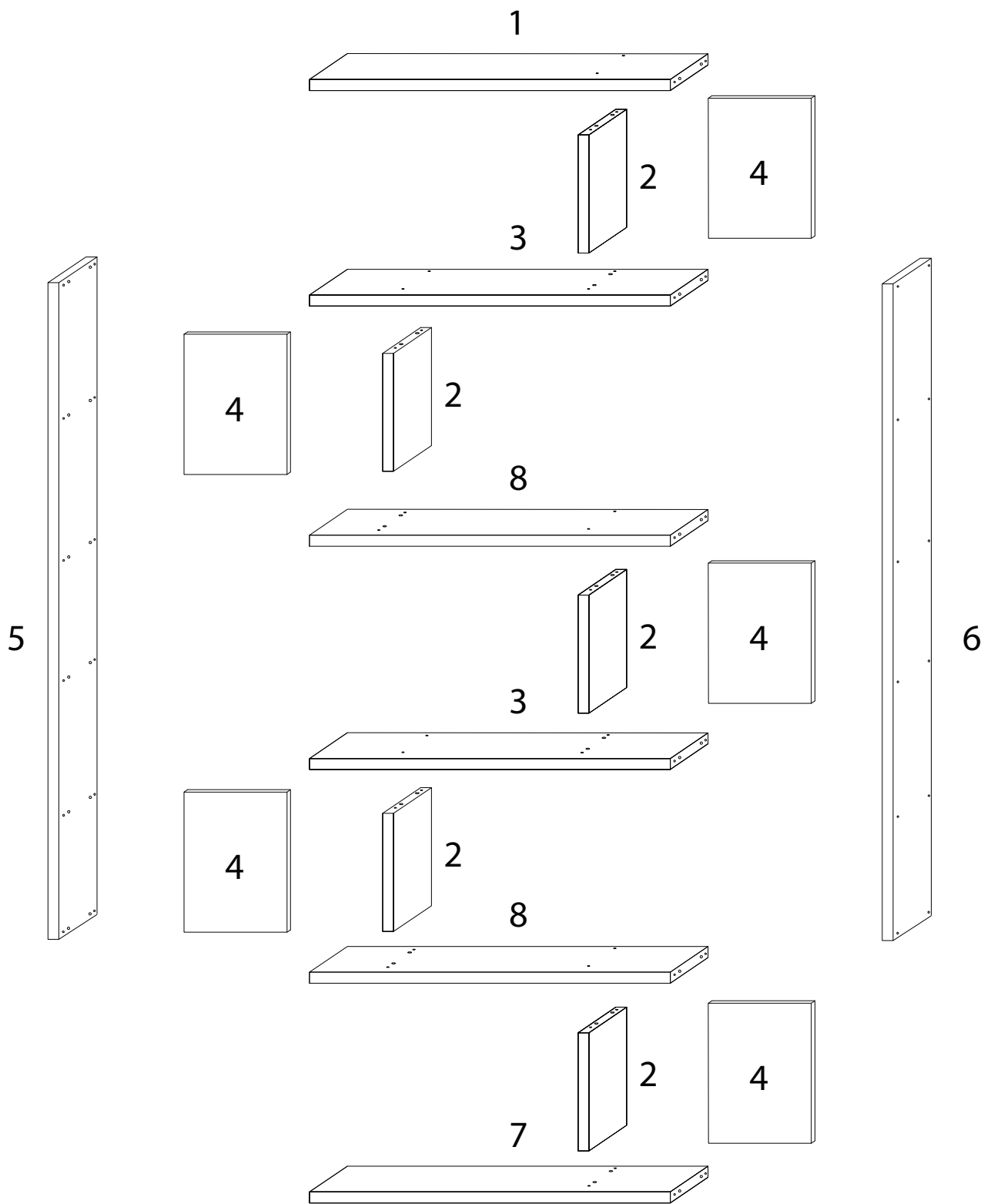




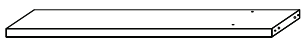
60'



2



1



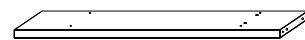
x 1

2



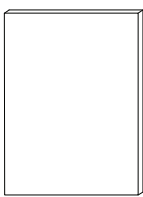
x 5

3



x 2

4



x 5

5



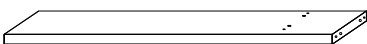
x 1

6



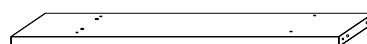
x 1

7



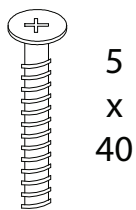
x 1

8



x 2

A



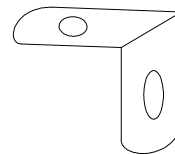
x 44

B



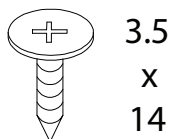
x 44

C1



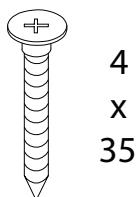
x 1

C2



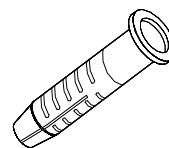
x 1

C3



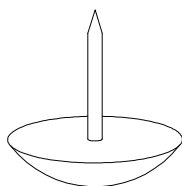
x 1

C4



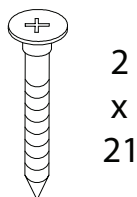
x 1

D



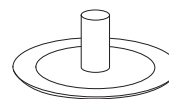
x 4

E



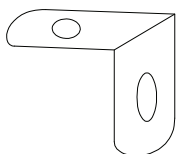
x 30

F



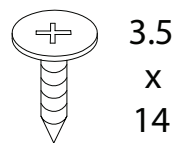
x 44

G1



x 4

G2



x 8

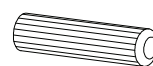
1 x 5

2

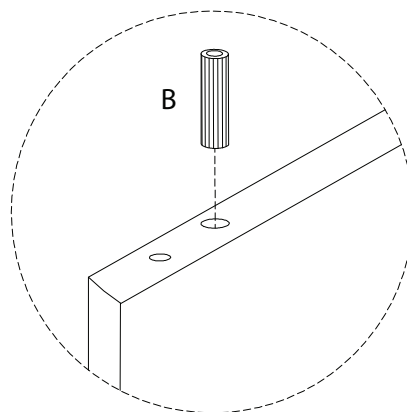
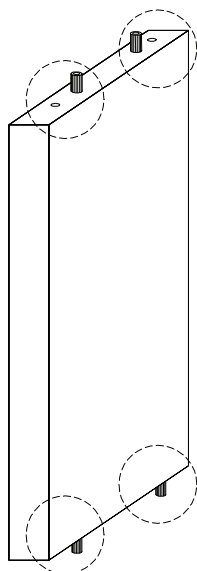


x1

B

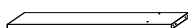


x4



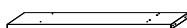
2

1



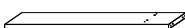
x1

3



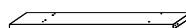
x2

7



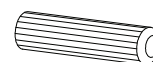
x1

8

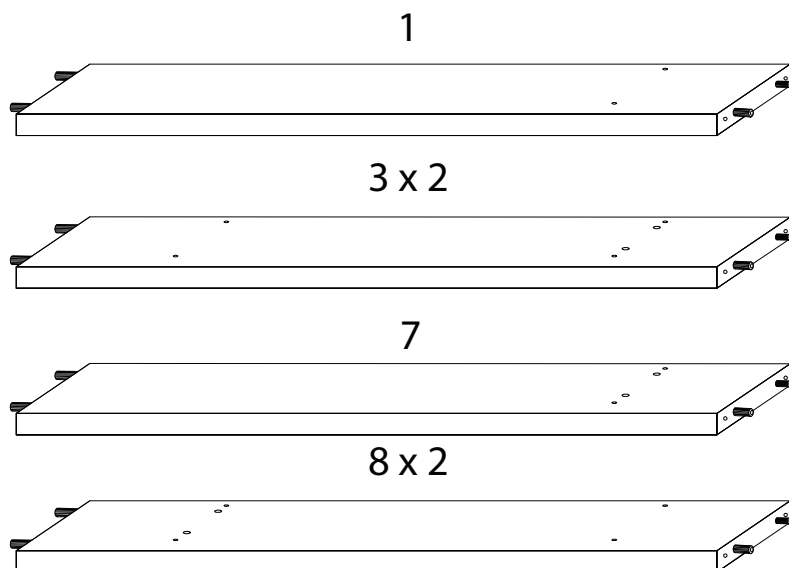


x2

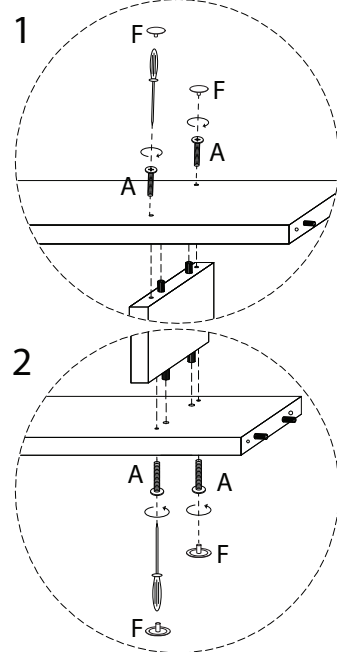
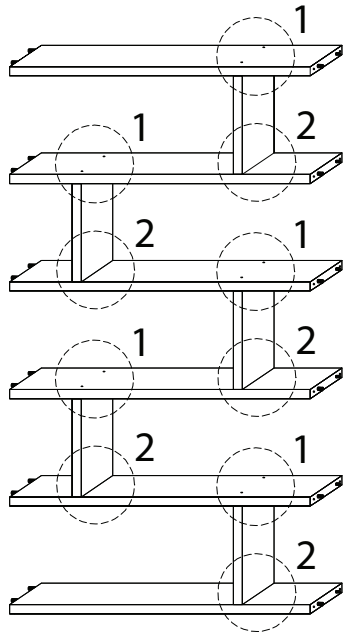
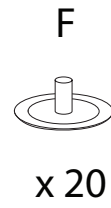
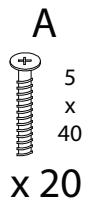
B



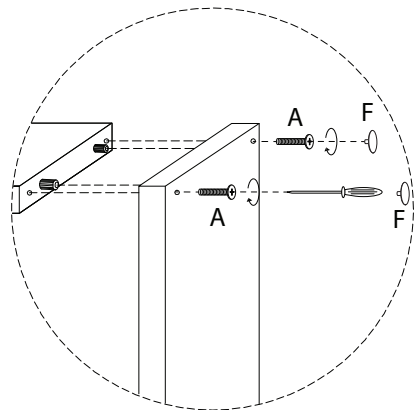
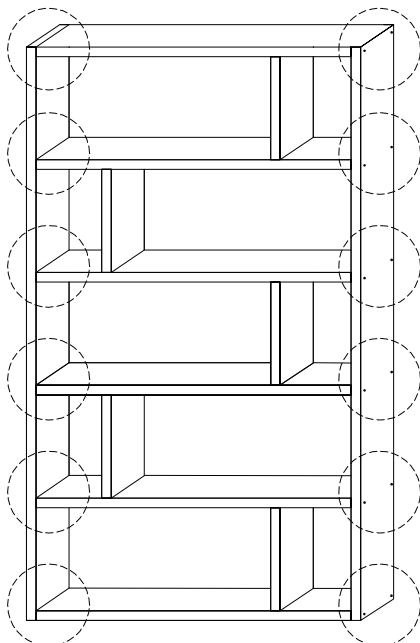
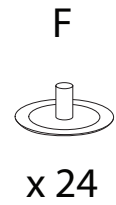
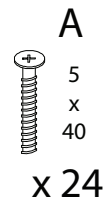
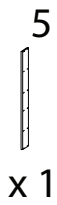
x24



3



4

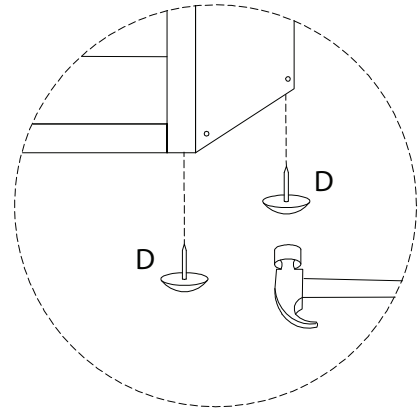
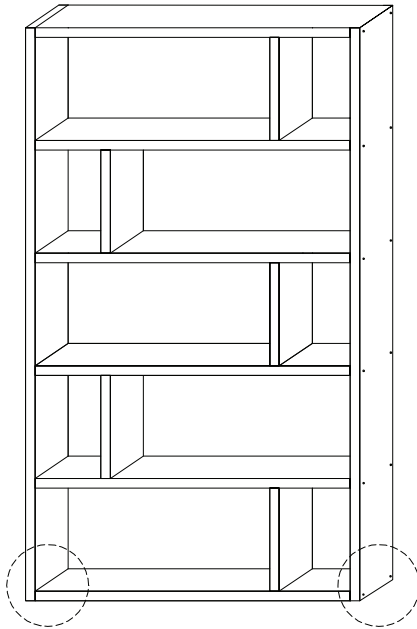


5

D



x 4



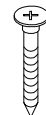
6

4



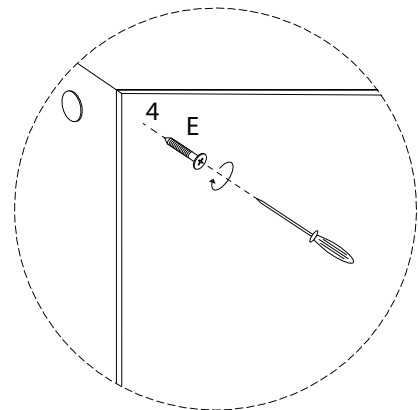
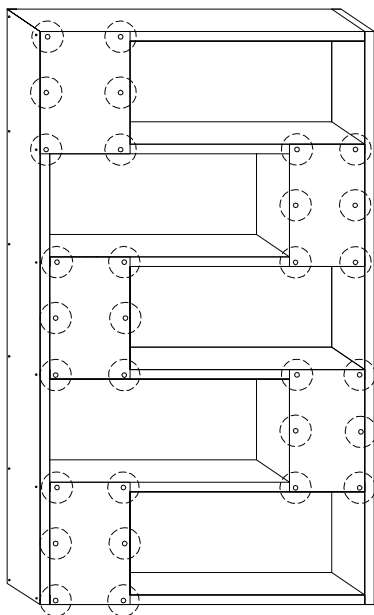
x 5

E



12  
x  
21

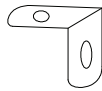
x 30





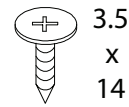
7

G1

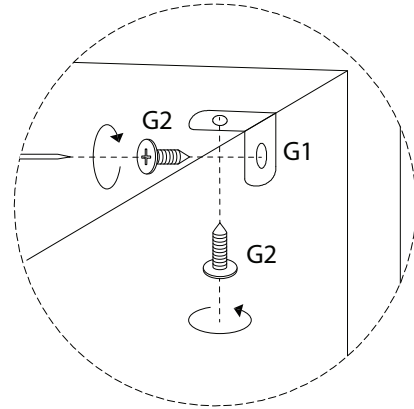
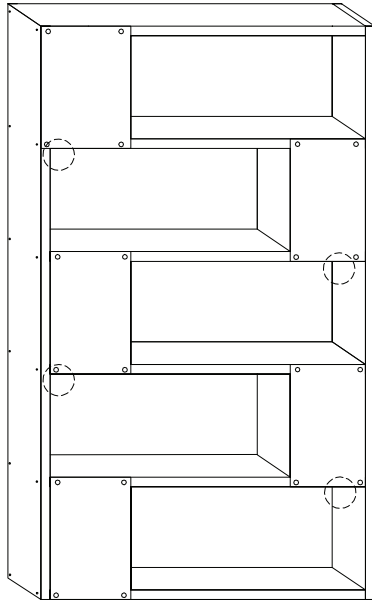


x 4

G2

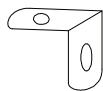


x 8



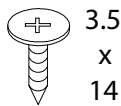
8

C1



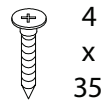
x 1

C2



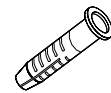
x 1

C3

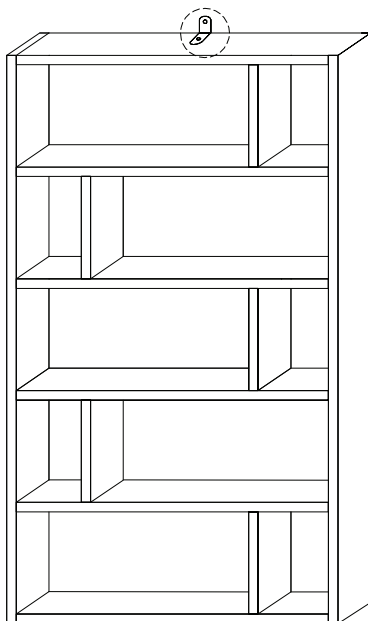


x 1

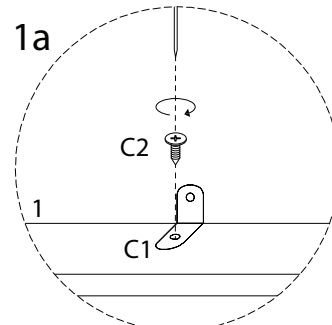
C4



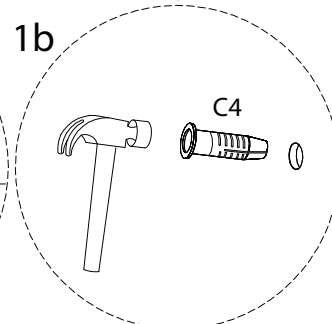
x 1



1a



1b



1c

