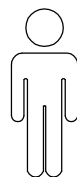
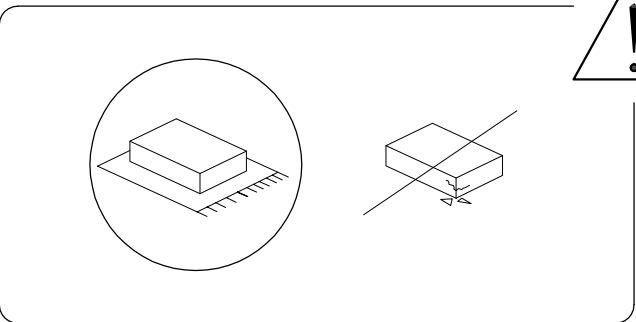
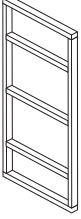
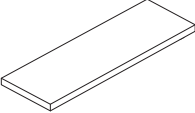
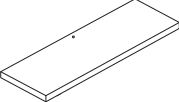

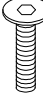
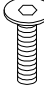
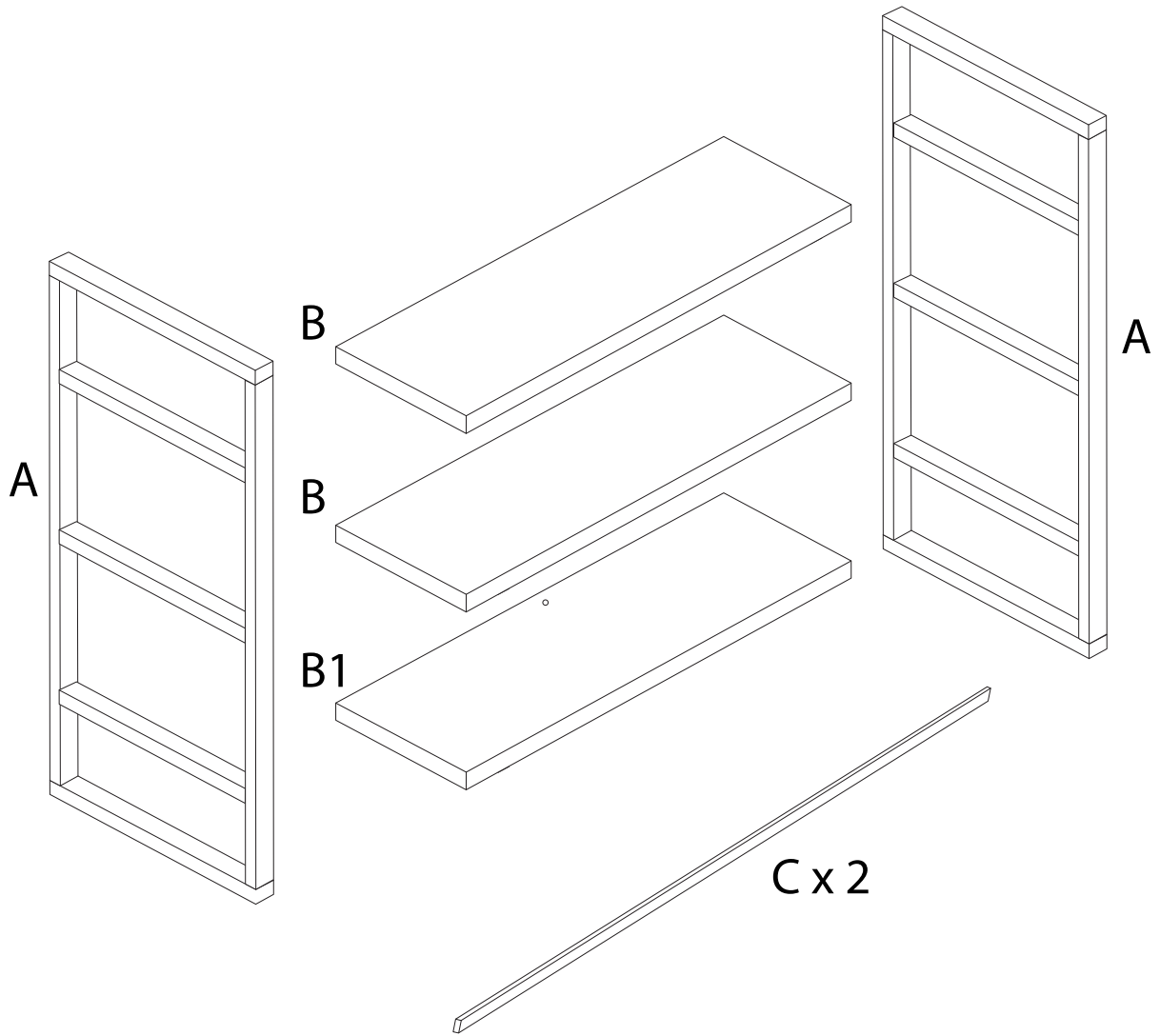


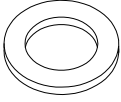
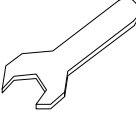
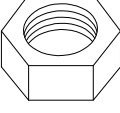

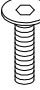
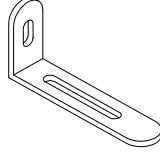
30'



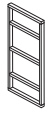

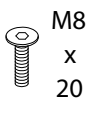
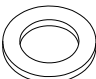

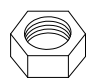

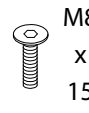
1

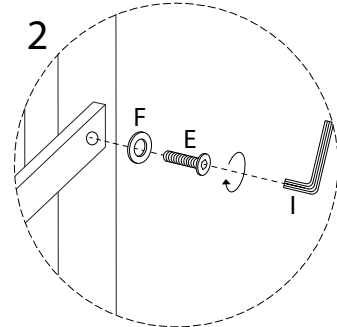
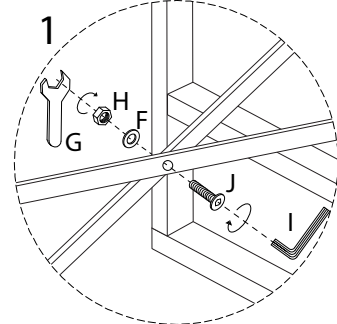
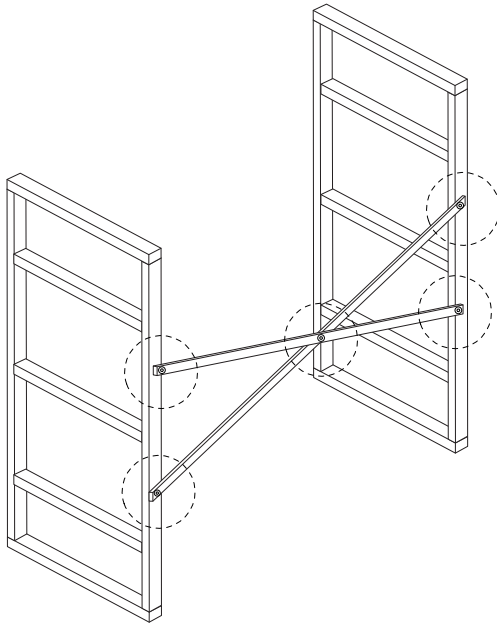
A 	B 	B1 	C 	D  M8 x 25	E  M8 x 20
x 2	x 2	x 1	x 2	x 13	x 4



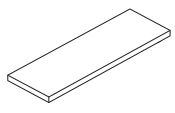
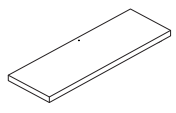
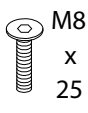
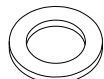
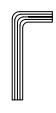
F 	G 	H 	I 	J  M8 x 15	K 
x 18	x 1	x 1	x 1	x 1	x 1

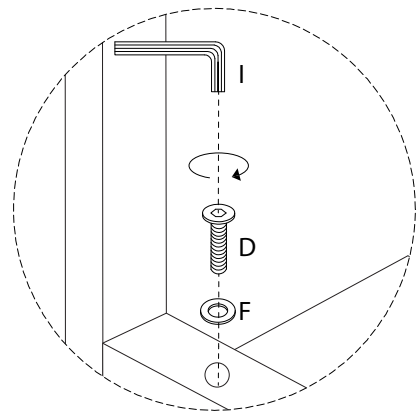
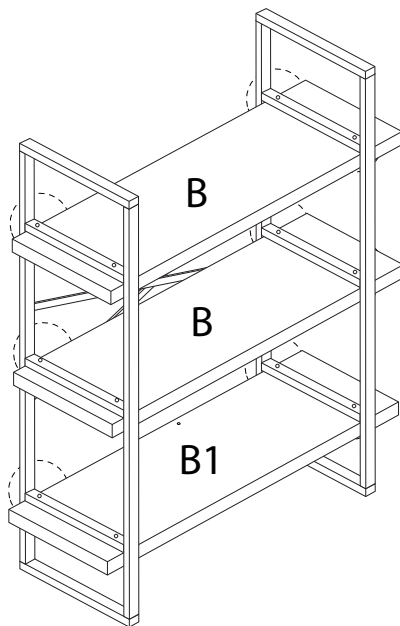
1

A  x 2	C  x 2	E  M8 x 20 x 4	F  x 5	G  x 1	H  x 1	I  x 1	J  M8 x 15 x 1
--	--	--	--	--	--	--	--

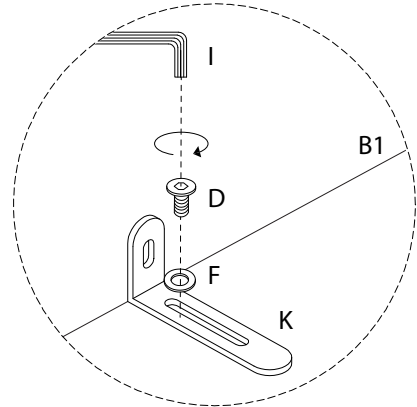
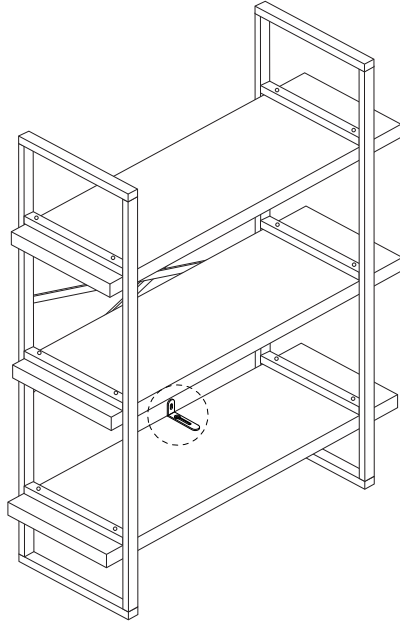
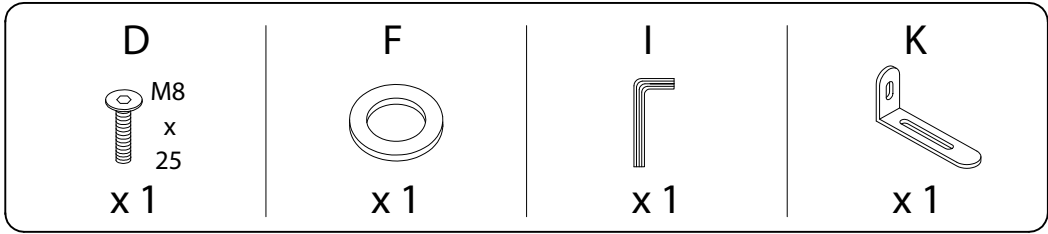


2

B  x 2	B1  x 1	D  M8 x 25 x 12	F  x 12	I  x 1
--	---	---	---	--



3



!

