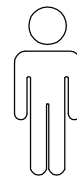
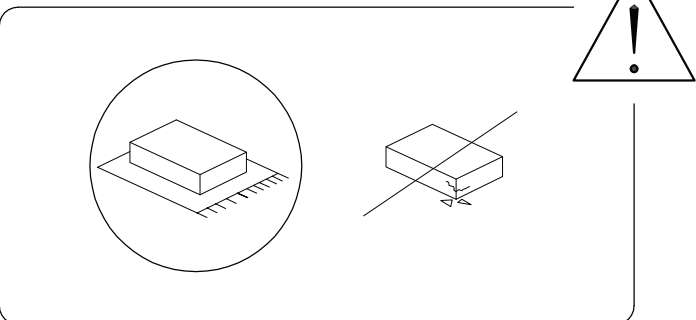
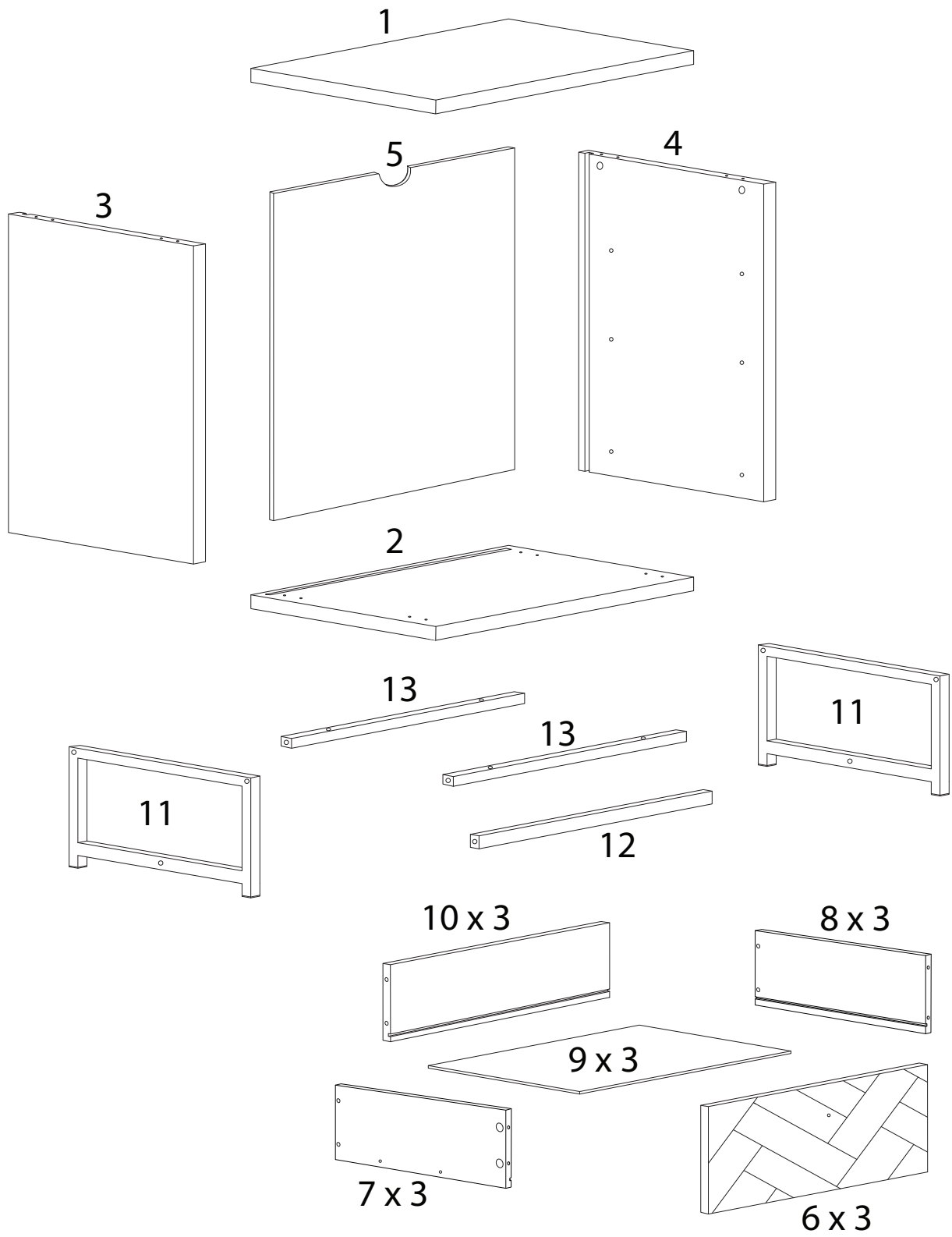


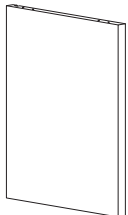
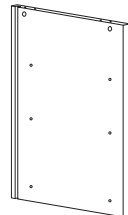


60'

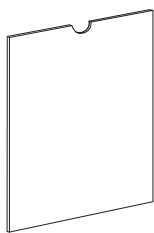


1



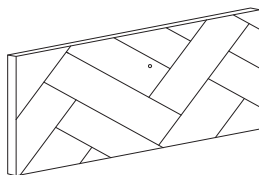
<p style="text-align: center;"><b>1</b></p>  <p style="text-align: center;"><b>x 1</b></p>	<p style="text-align: center;"><b>2</b></p>  <p style="text-align: center;"><b>x 1</b></p>	<p style="text-align: center;"><b>3</b></p>  <p style="text-align: center;"><b>x 1</b></p>	<p style="text-align: center;"><b>4</b></p>  <p style="text-align: center;"><b>x 1</b></p>
---	---	--	---

5



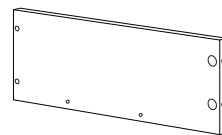
x 1

6



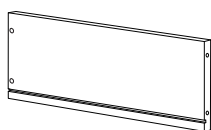
x 3

7



x 3

8



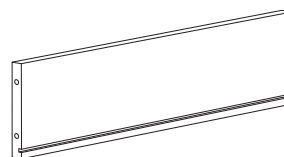
x 3

9



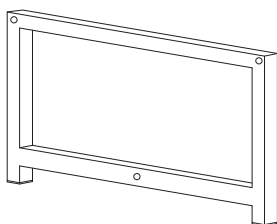
x 3

10



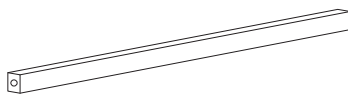
x 3

11



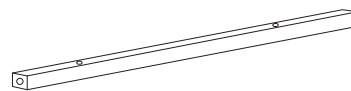
x 2

12



x 1

13



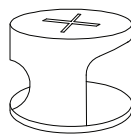
x 2

A



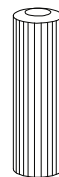
x 16

B



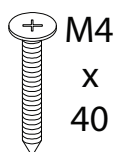
x 16

C



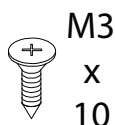
x 8

D



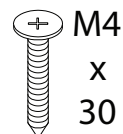
x 4

E



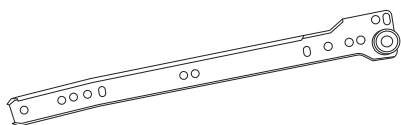
x 24

F



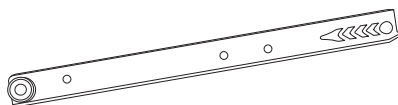
x 12

G



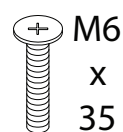
x 6

H



x 6

I



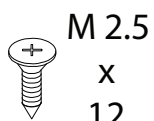
x 6

J



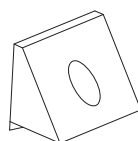
x 4

N



x 6

O



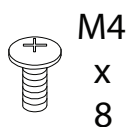
x 6

P1



x 3

P2



x 3

P3



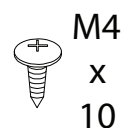
x 3

W



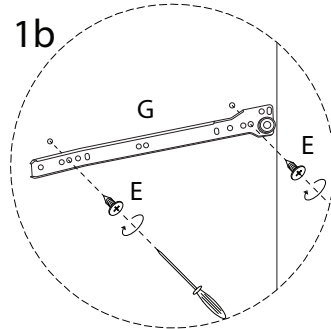
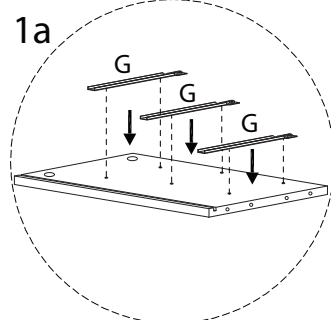
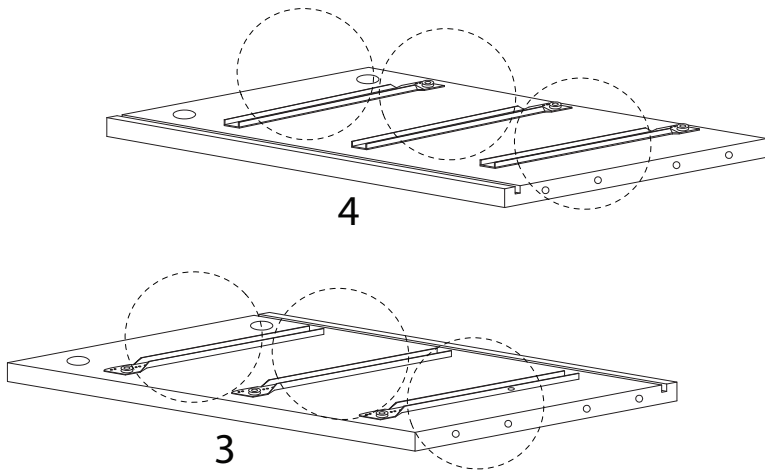
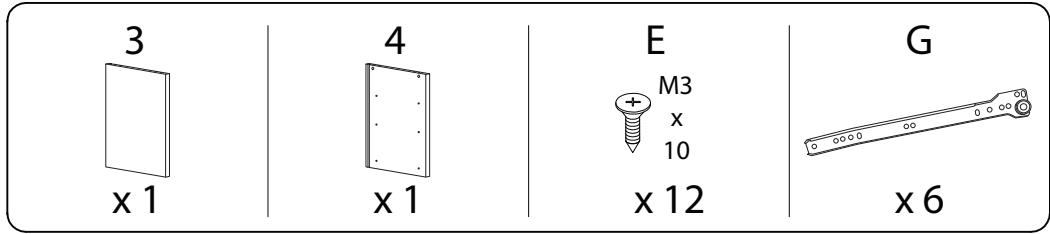
x 1

Y

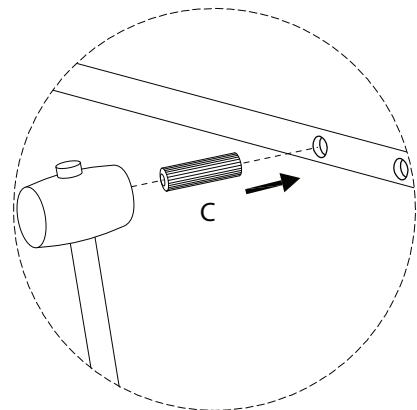
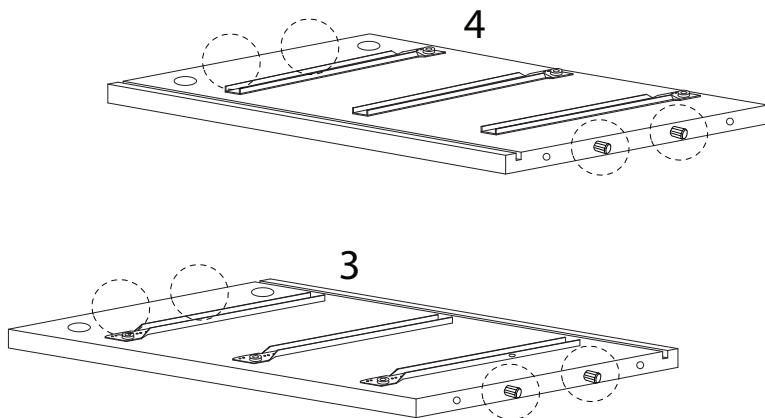
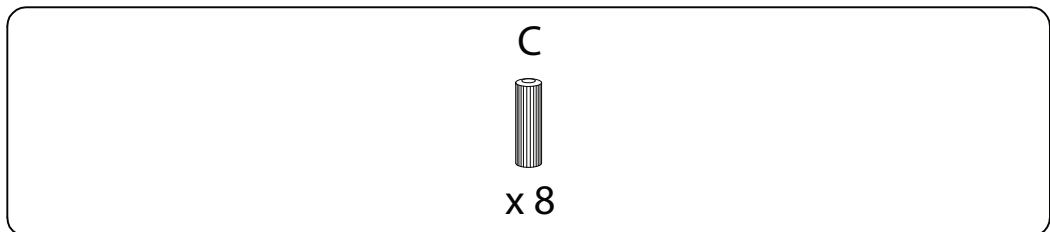


x 1

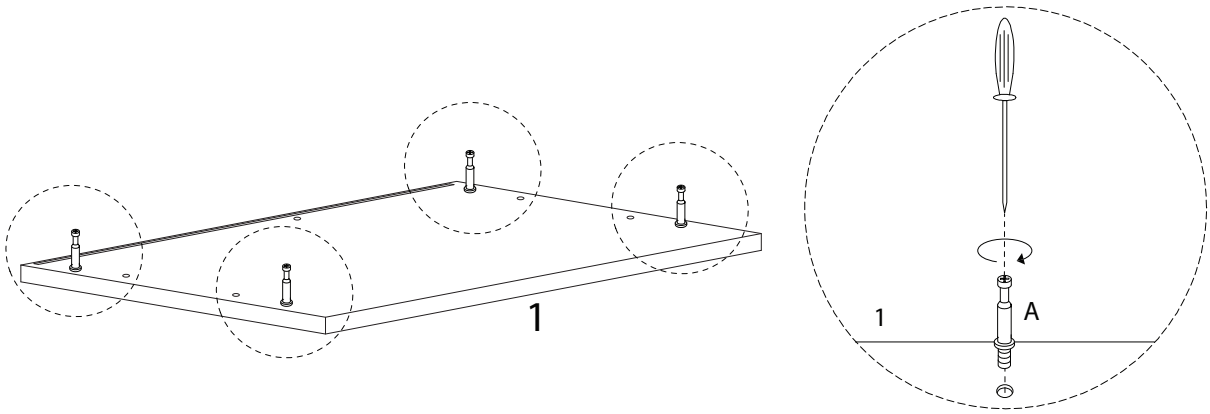
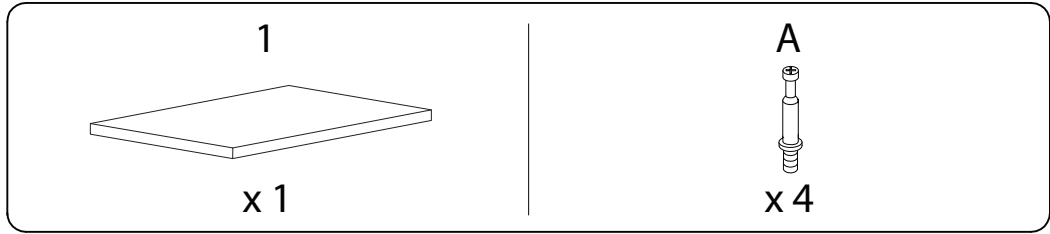
1



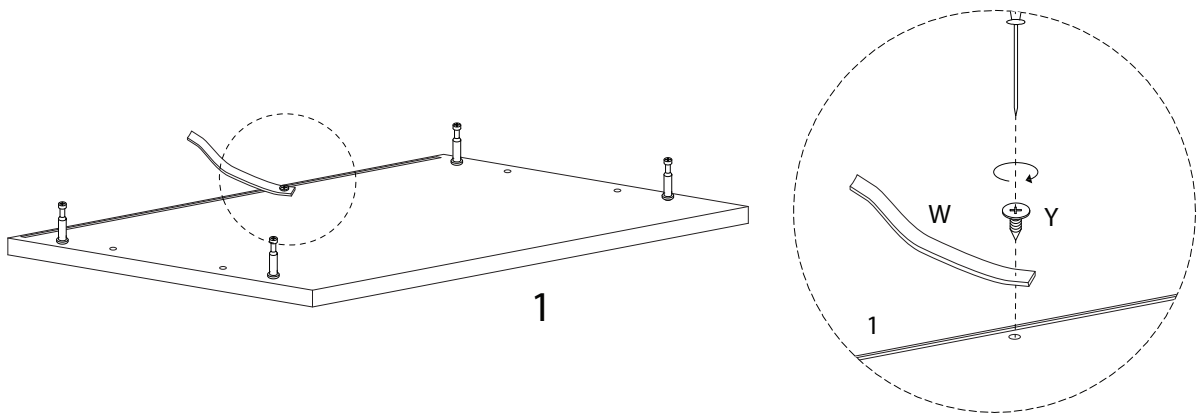
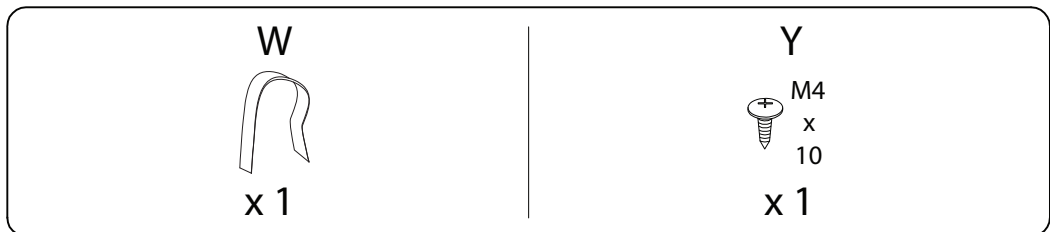
2



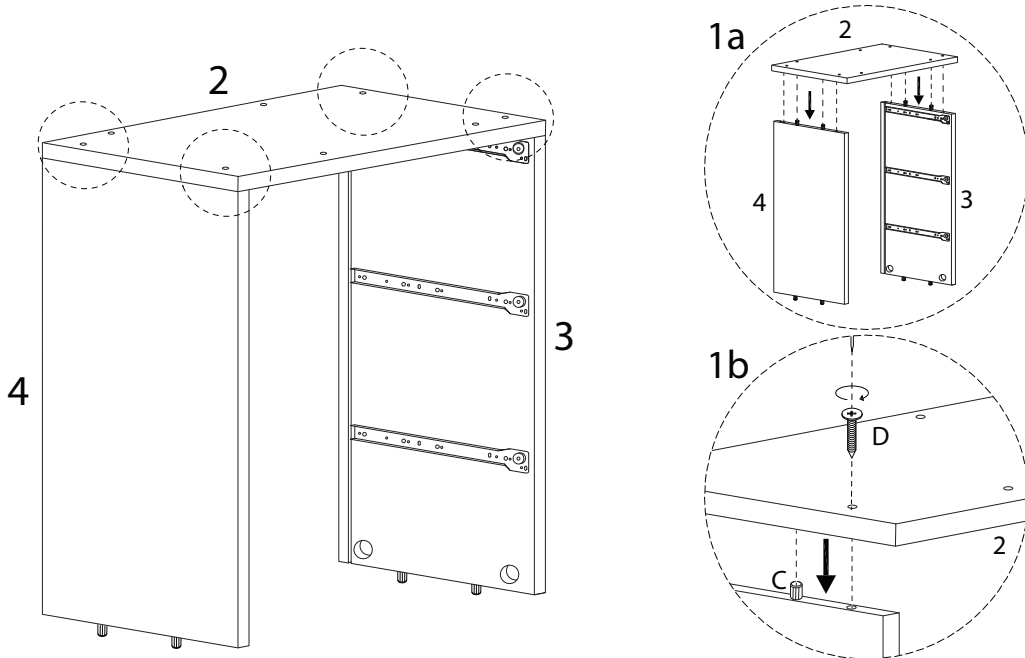
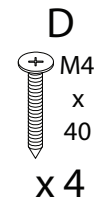
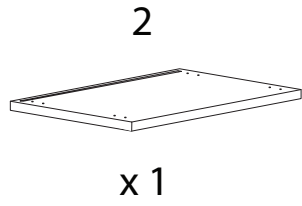
3



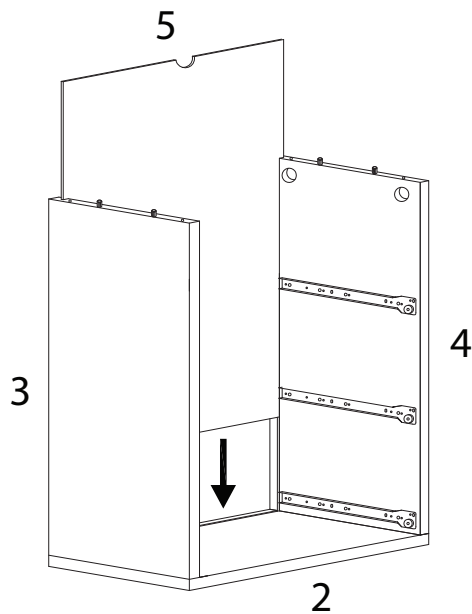
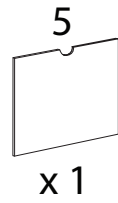
4



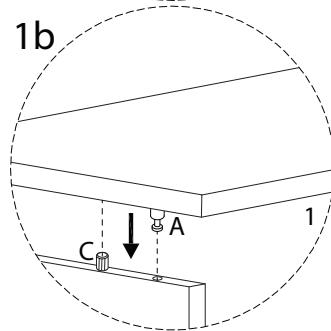
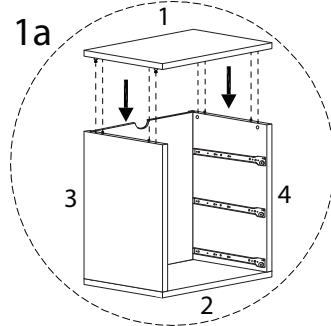
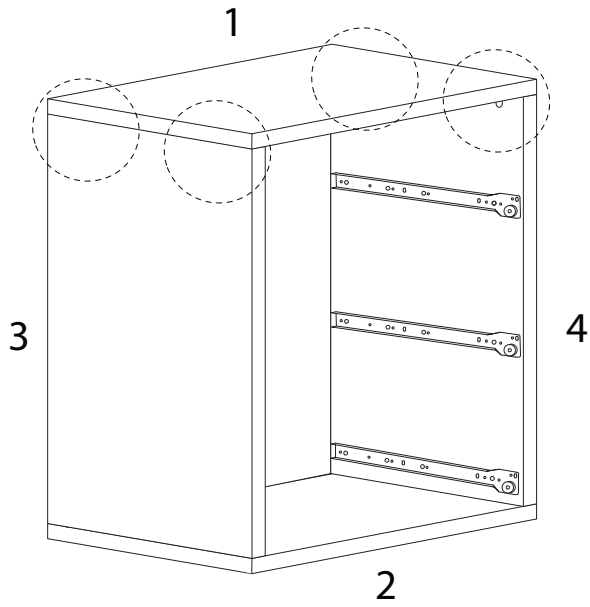
5



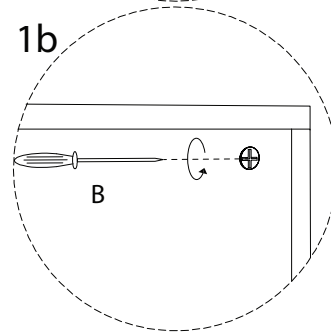
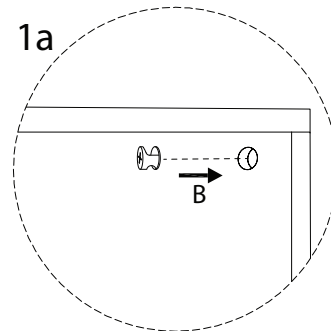
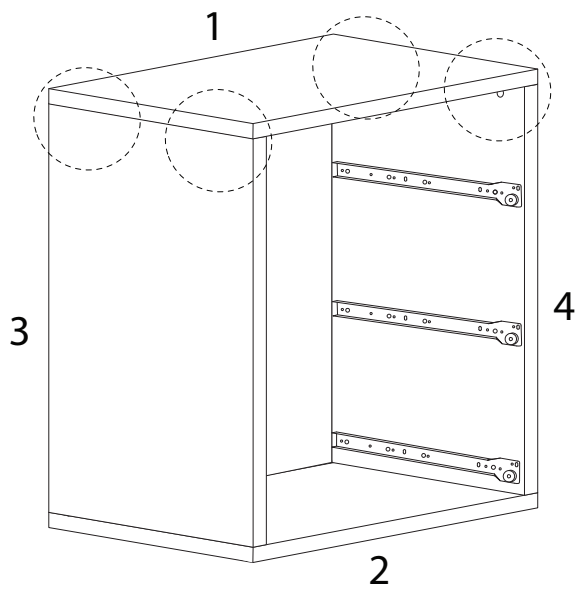
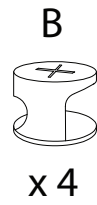
6



7

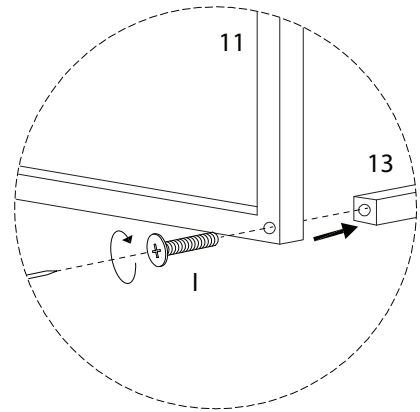
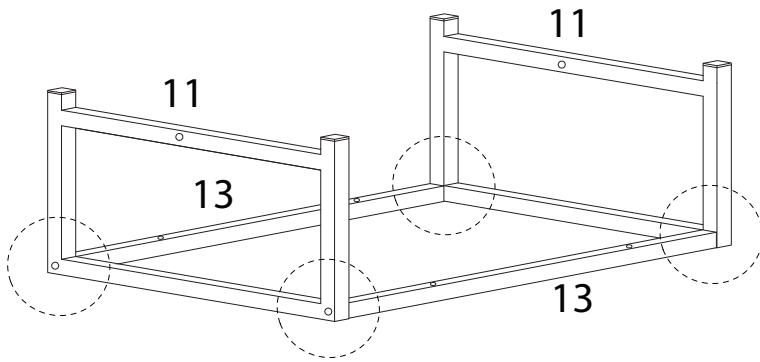
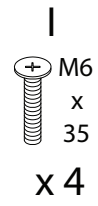
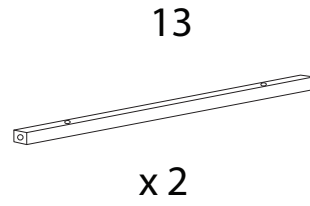
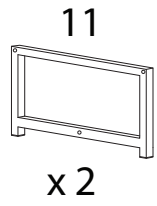


8

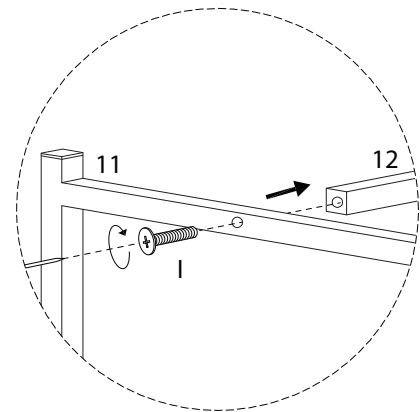
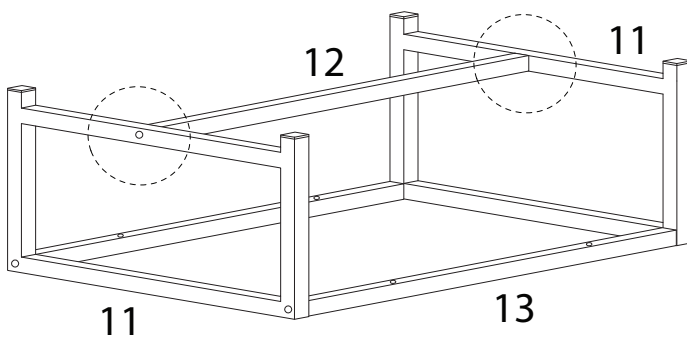
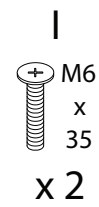
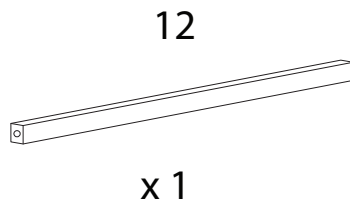




9



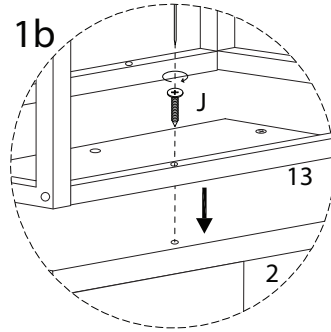
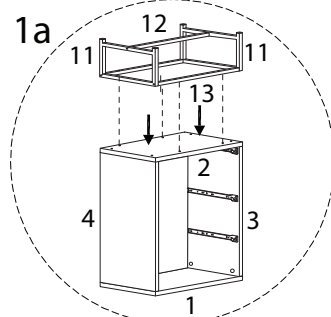
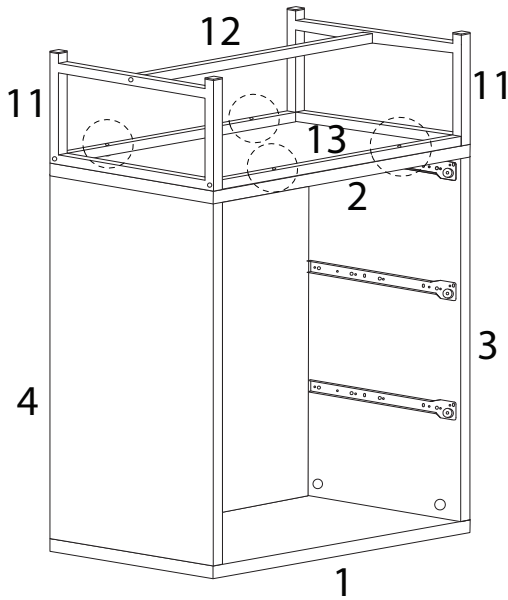
10



11

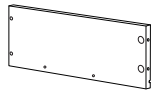
J

M4  
x  
25  
x 4



12 x 3

7



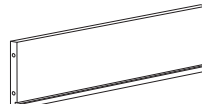
x 1

8



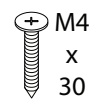
x 1

10

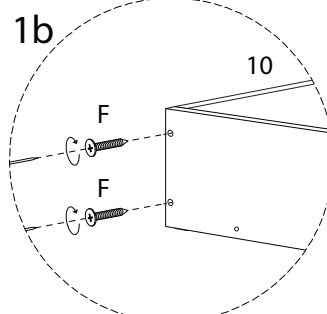
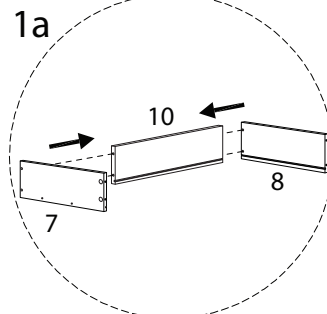
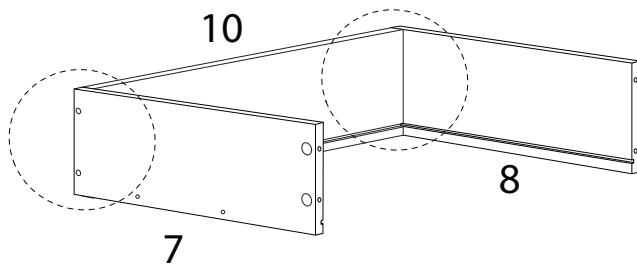


x 1

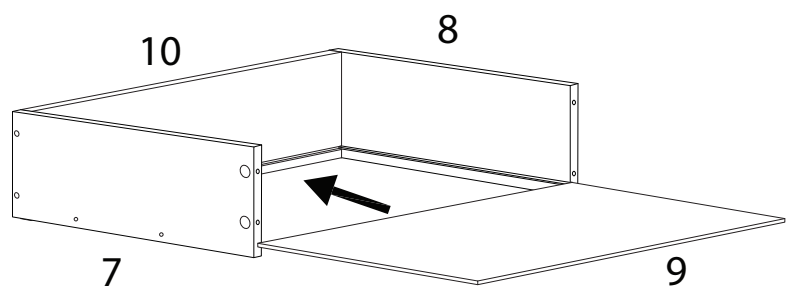
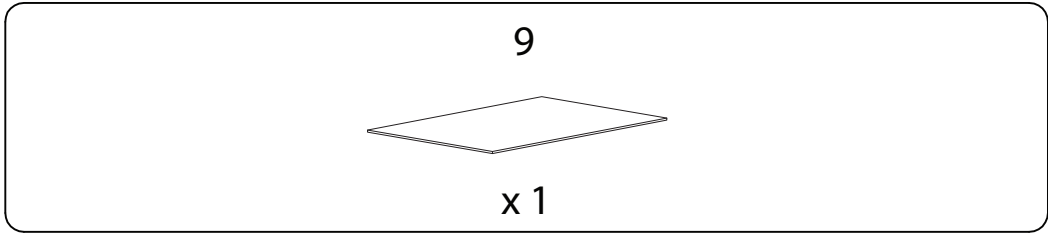
F



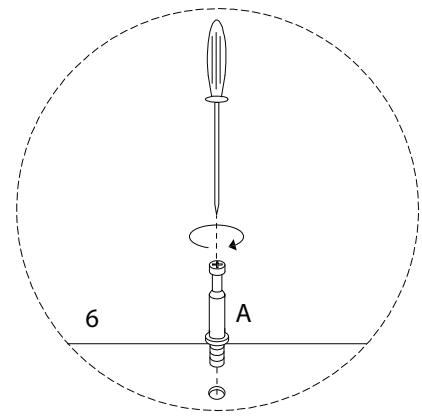
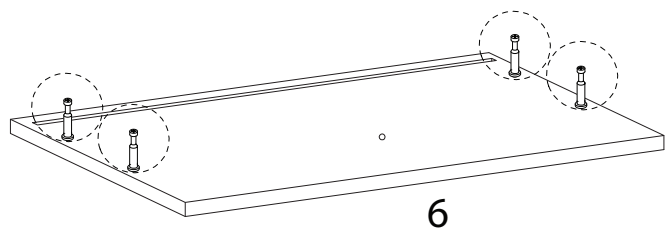
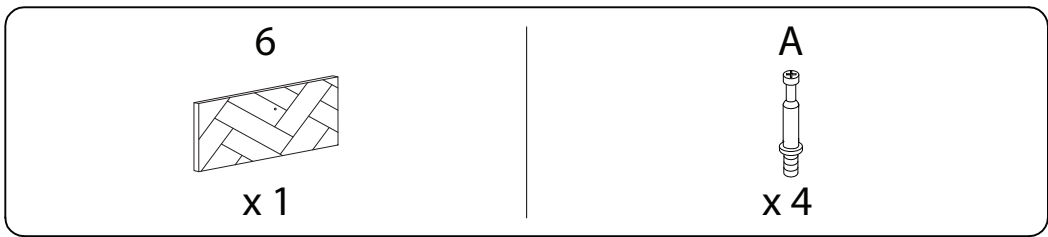
M4  
x  
30  
x 4






13 x 3

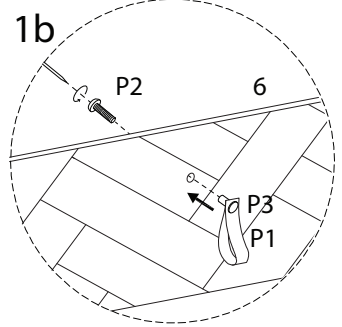
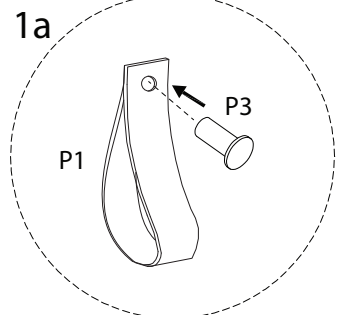
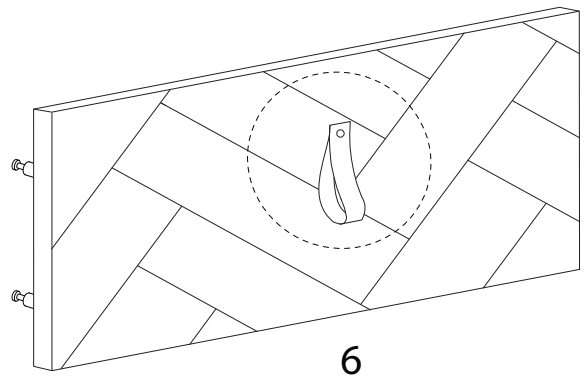


14 x 3

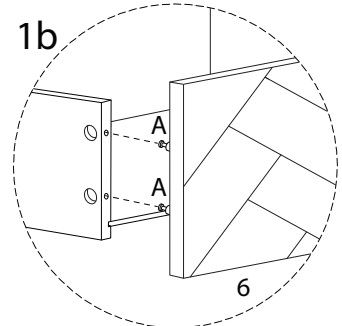
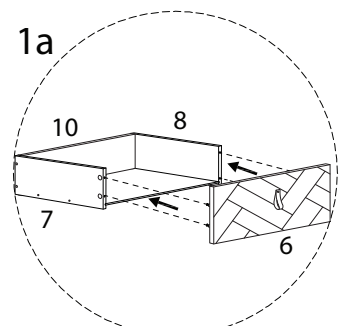
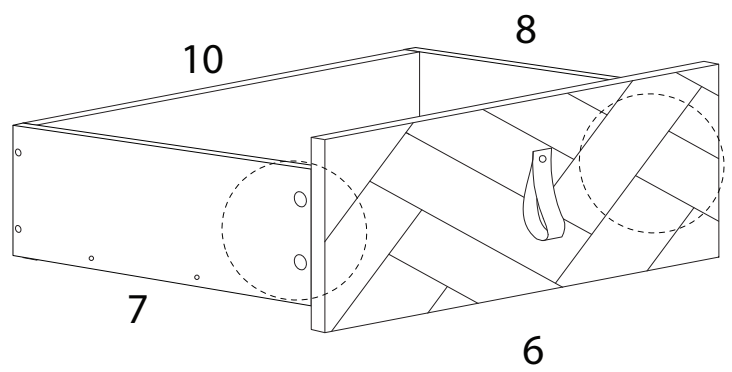


15 x 3

<p>P1</p>  <p>x 1</p>	<p>P2</p>  <p>M4 x 8</p> <p>x 1</p>	<p>P3</p>  <p>x 1</p>
--	--	--

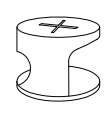


16 x 3

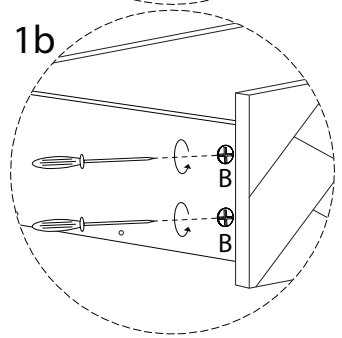
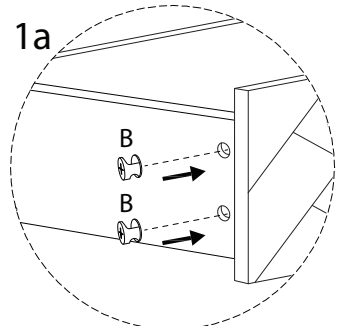
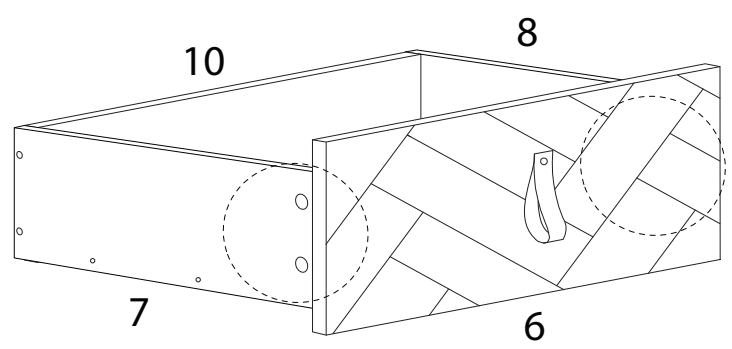


17 x 3

B



x 4



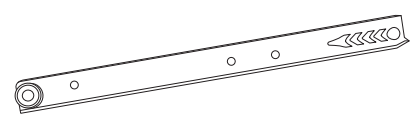
18 x 3

E

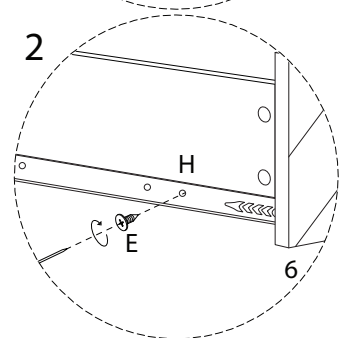
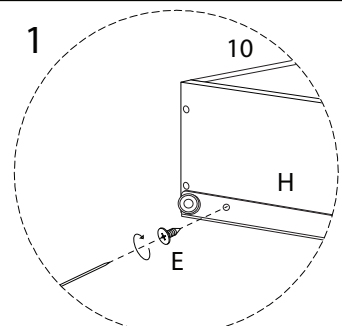
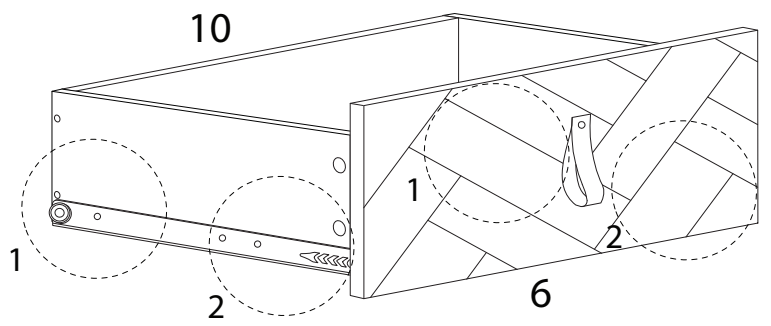


x 4

H

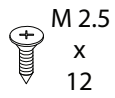


x 2



19

N

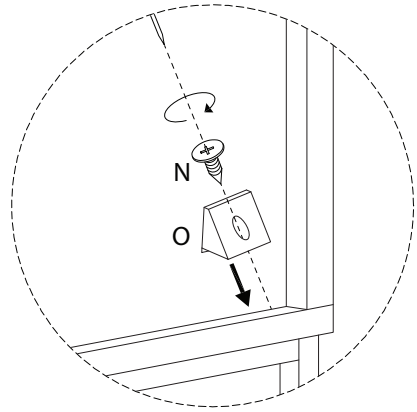
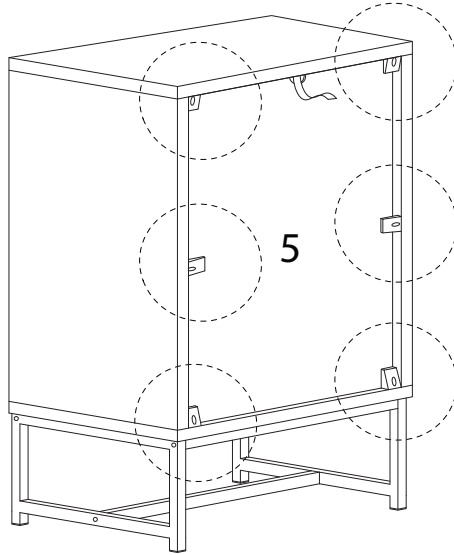


x 6

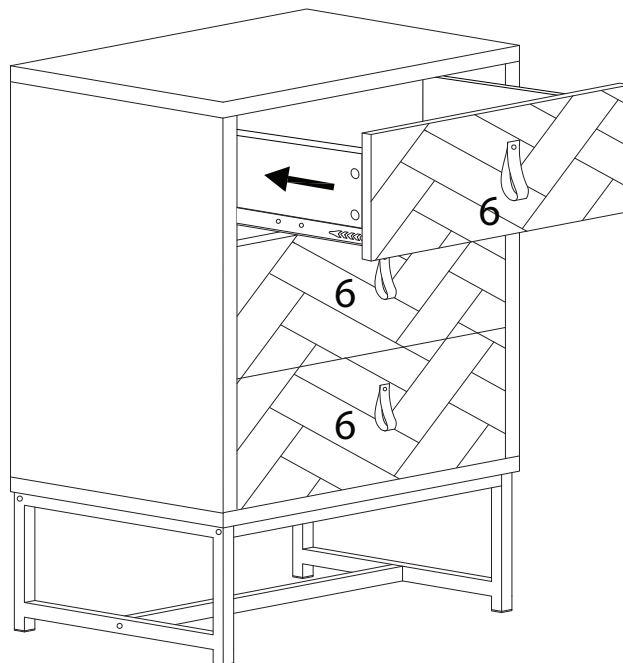
O



x 6



20



!

