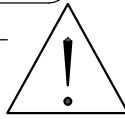
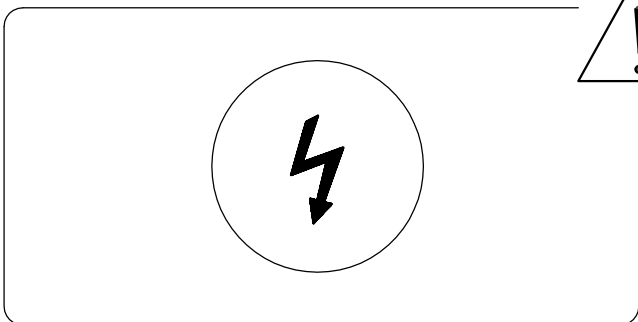
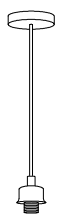


20'



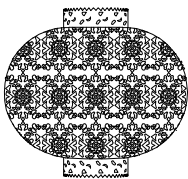
1

A



x 1

B

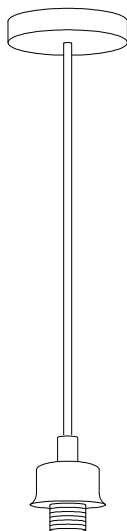


x 1

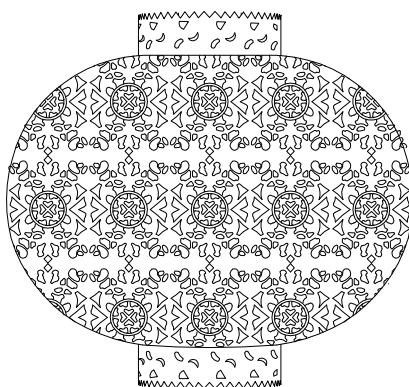
C



x 1



A

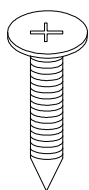


B



C

D



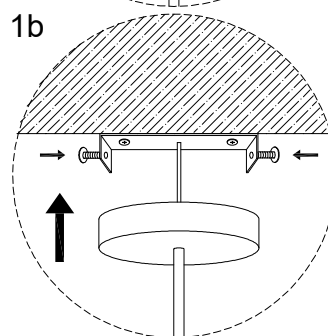
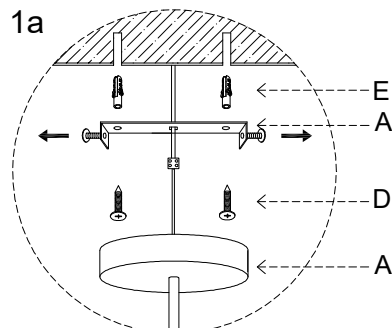
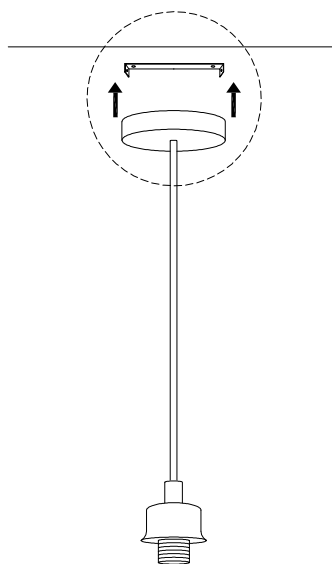
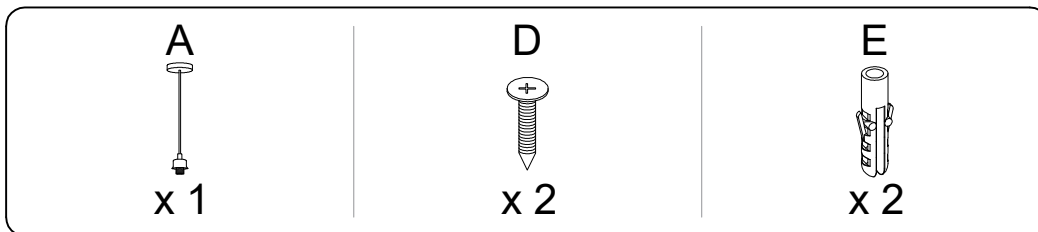
x 2

E



x 2

1



2

