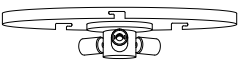

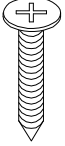

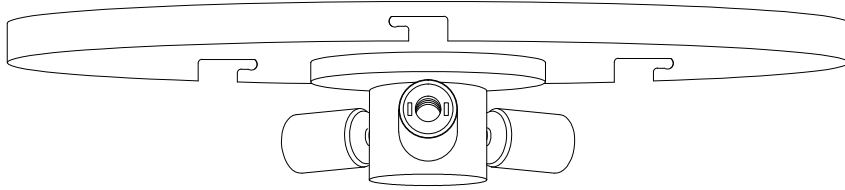


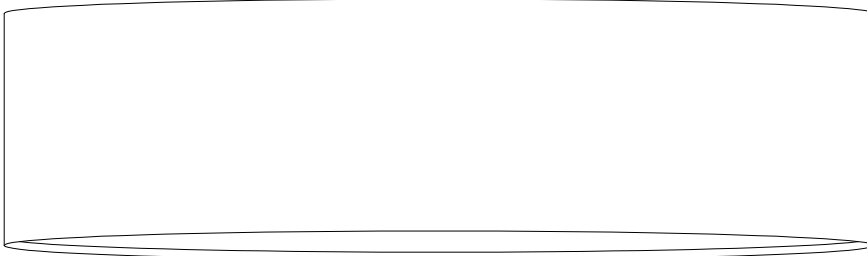
1/4

A	B	C	D
			
x 1	x 1	x 3	x 3

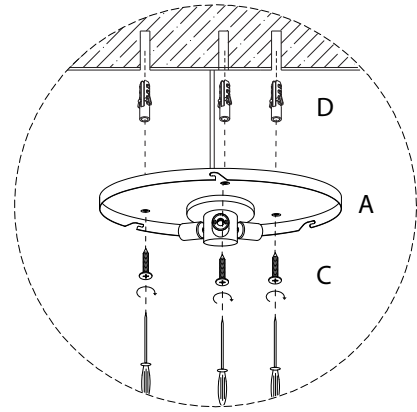
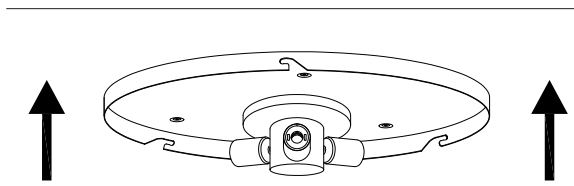
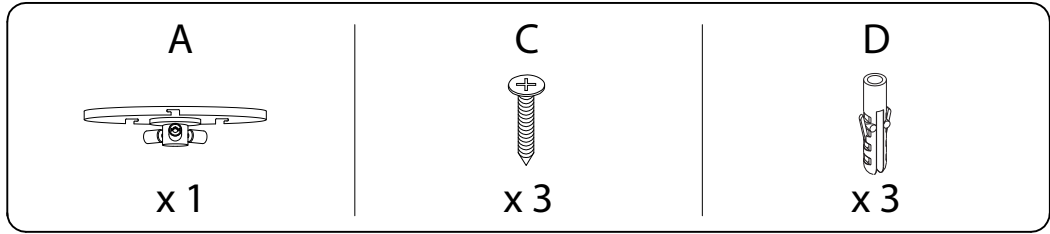
A



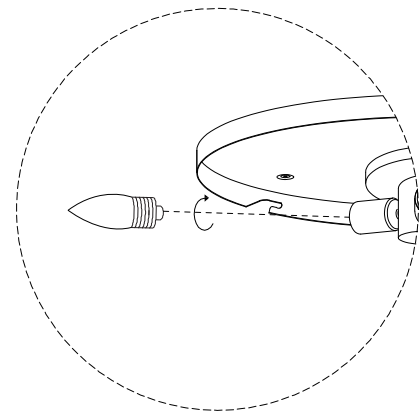
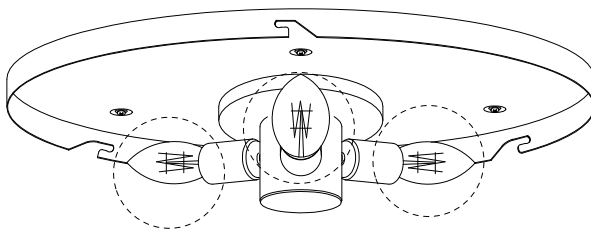
B



1



2



3

