

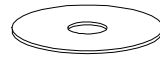

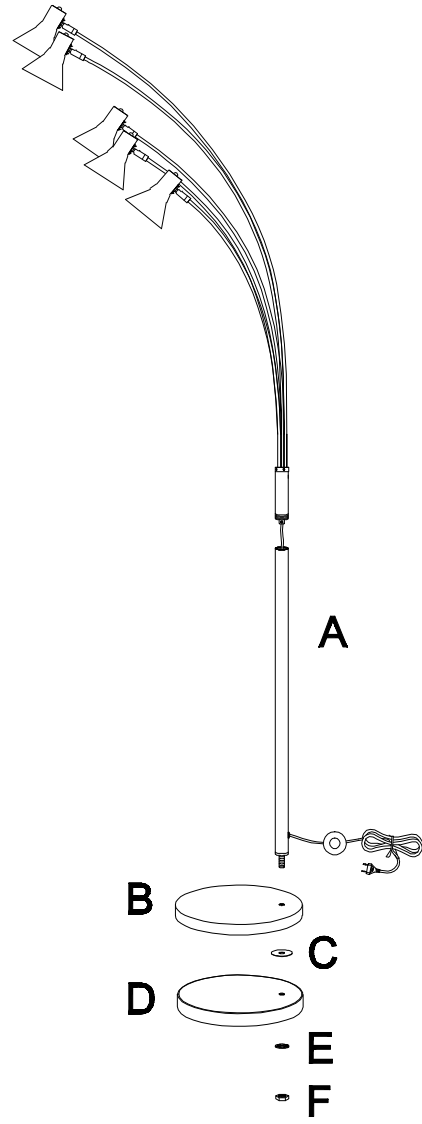


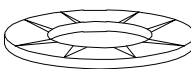
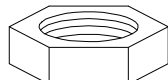


**20'**



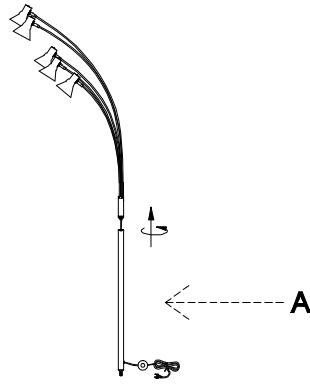
**1**

|   |   |  |   |
|---|---|--|---|
| <b>A</b>  | <b>B</b>  | <b>C</b>   | <b>D</b>  |
|  |  |  |  |
| <b>x 1</b>  | <b>x 1</b>  | <b>x 1</b>   | <b>x 1</b>  |



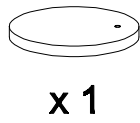
|   |   |  |   |
|---|---|--|---|
| <b>E</b>  | <b>F</b>  | <b>G</b>   | <b>H</b>  |
|  |  |  |  |
| <b>x 1</b>  | <b>x 1</b>  | <b>x 1</b>   | <b>x 1</b>  |

1

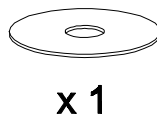


2

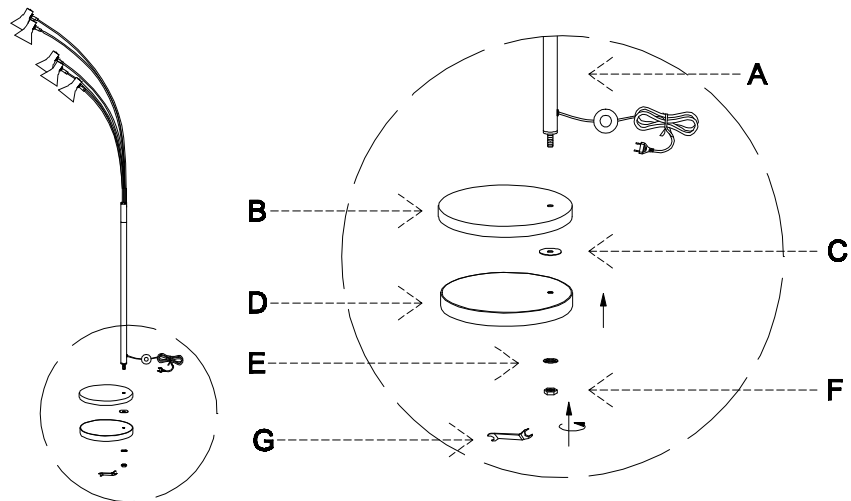
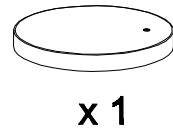
B



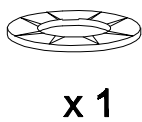
C



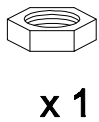
D



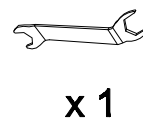
E



F



G

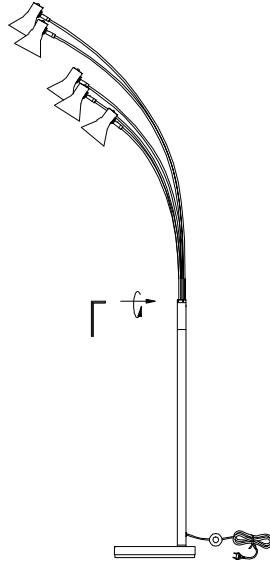


3

H



x 1



4

