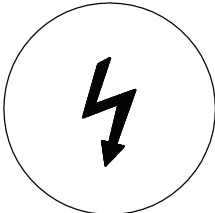


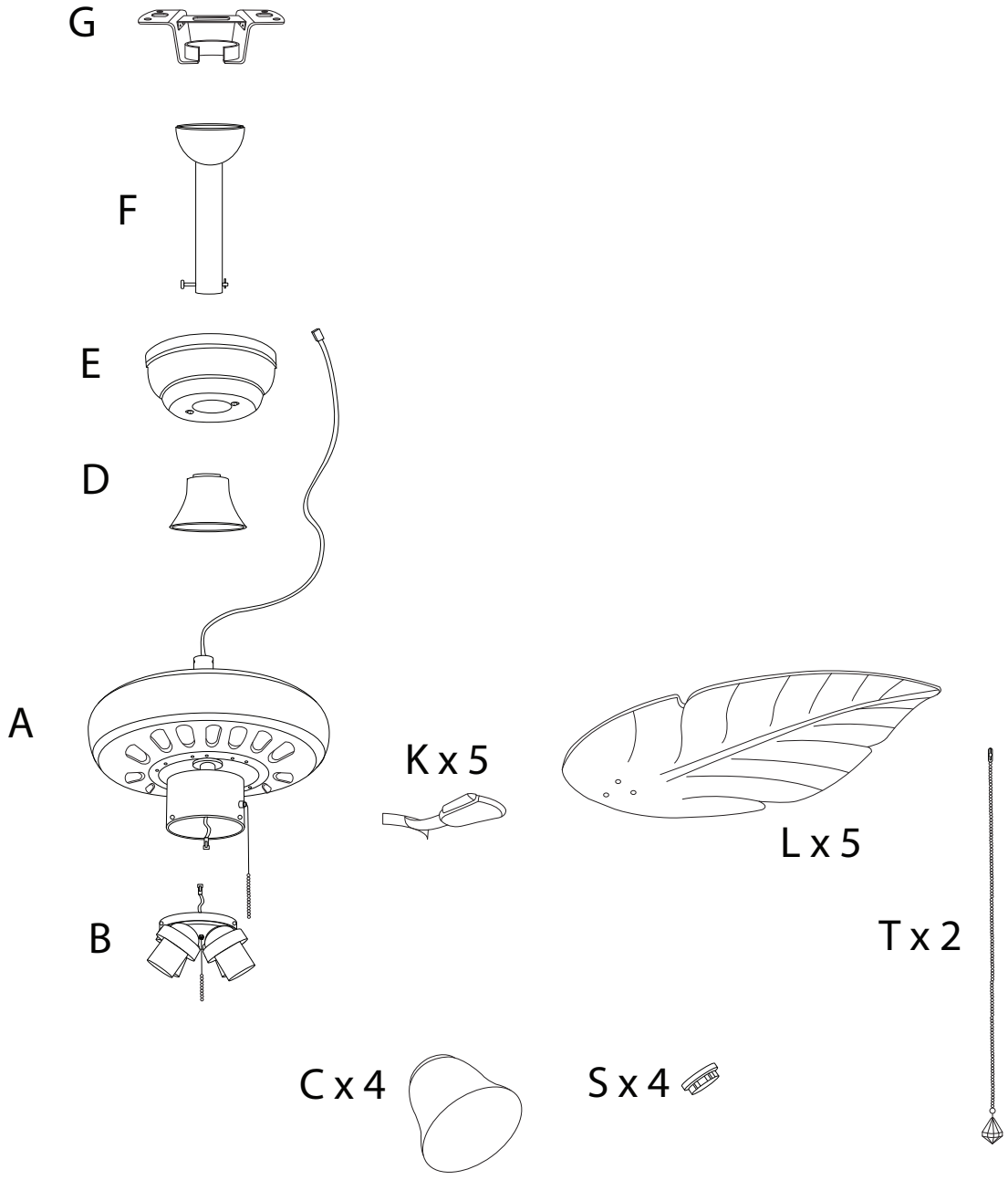
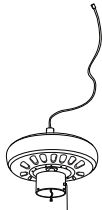

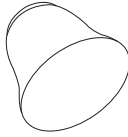

		60'
		
		1



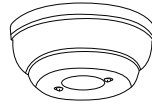
A  x 1	B  x 1	C  x 4
---	---	---

D



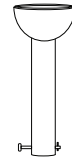
x 1

E



x 1

F



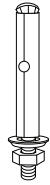
x 1

G



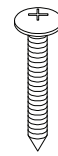
x 1

H



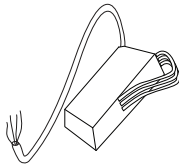
x 2

I



x 4

J



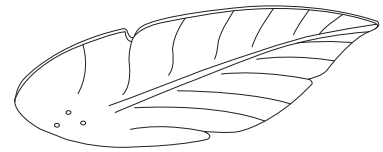
x 1

K



x 5

L



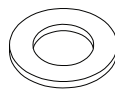
x 5

M



x 15

N



x 15

O



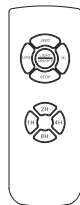
x 2

P



x 10

R



x 1

S

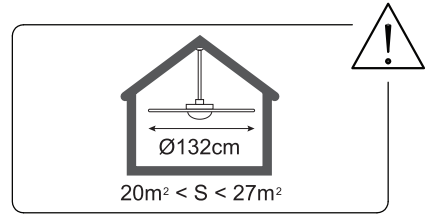
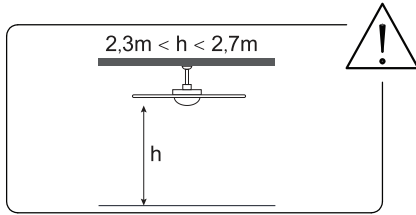
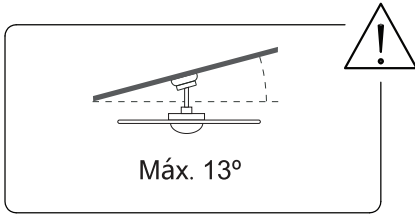
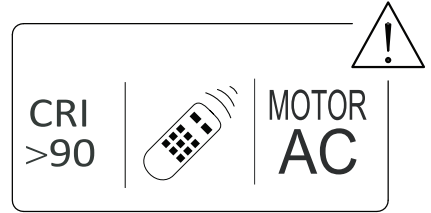
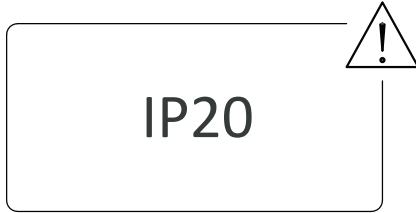
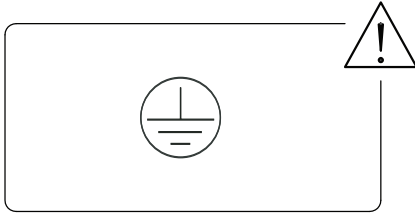
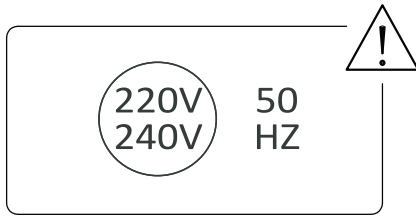


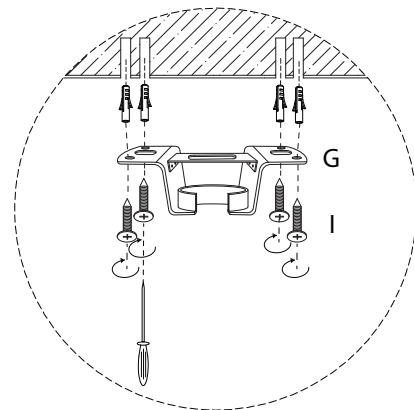
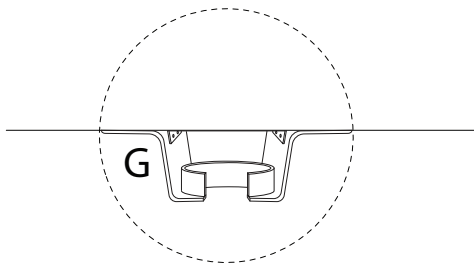
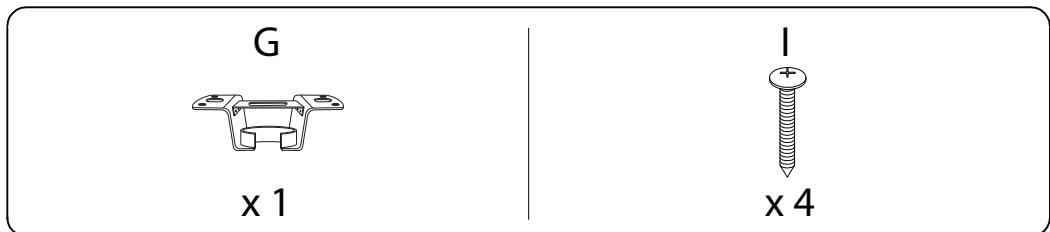
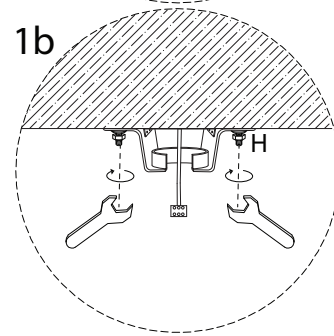
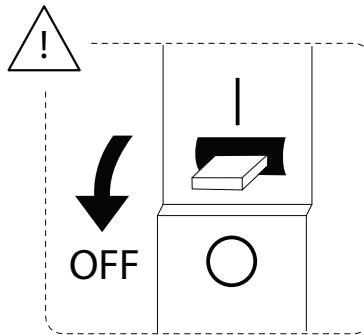
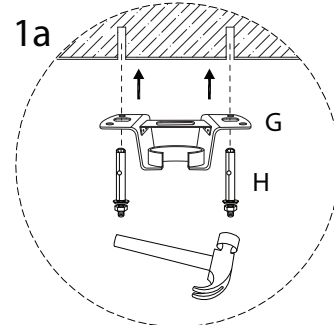
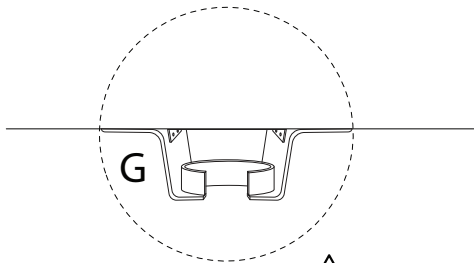
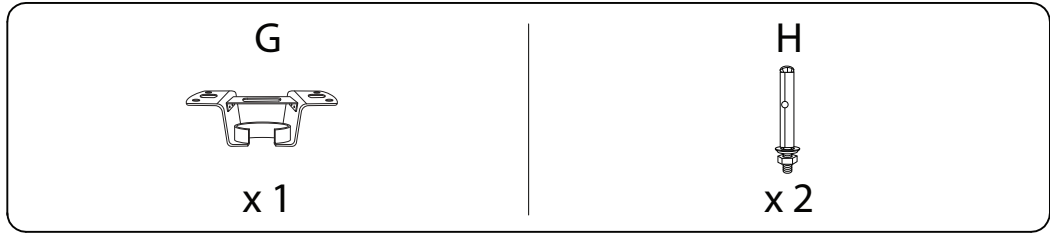
x 4

T

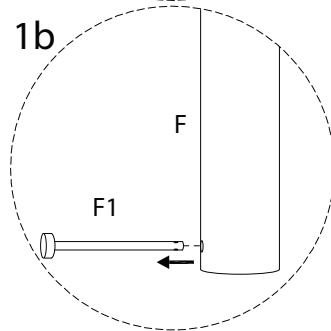
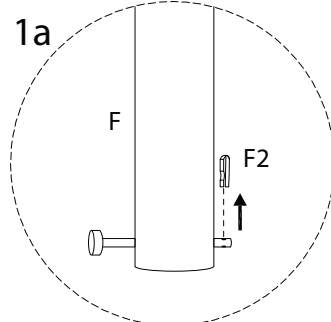
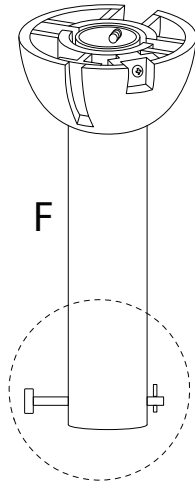
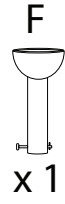


x 2

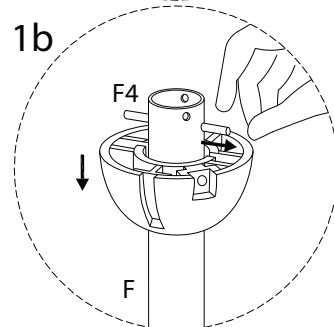
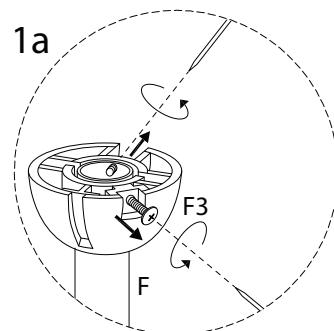
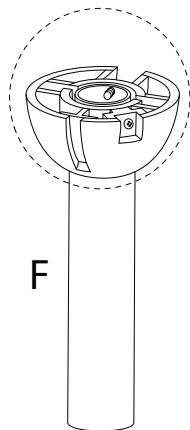




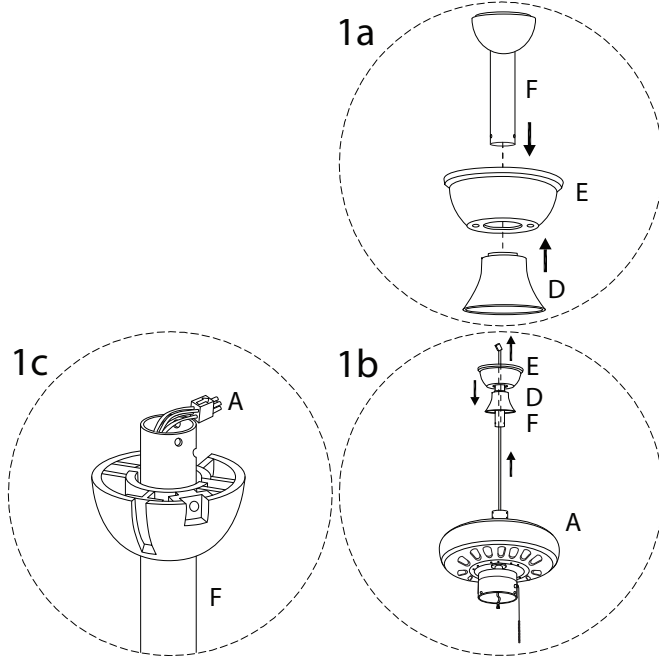
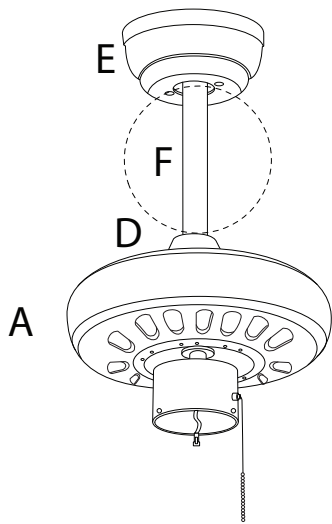
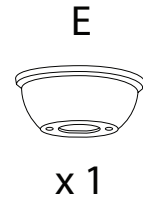
1



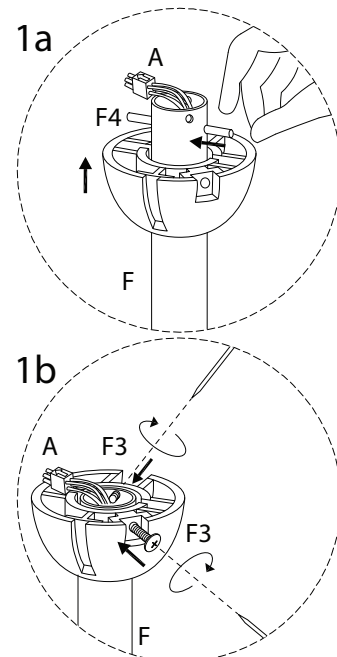
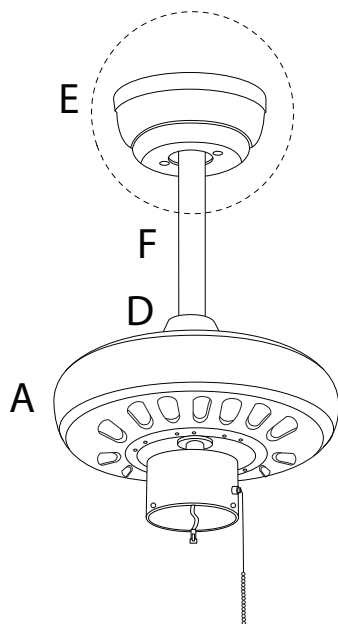
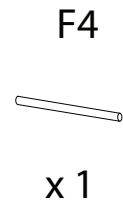
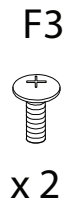
2



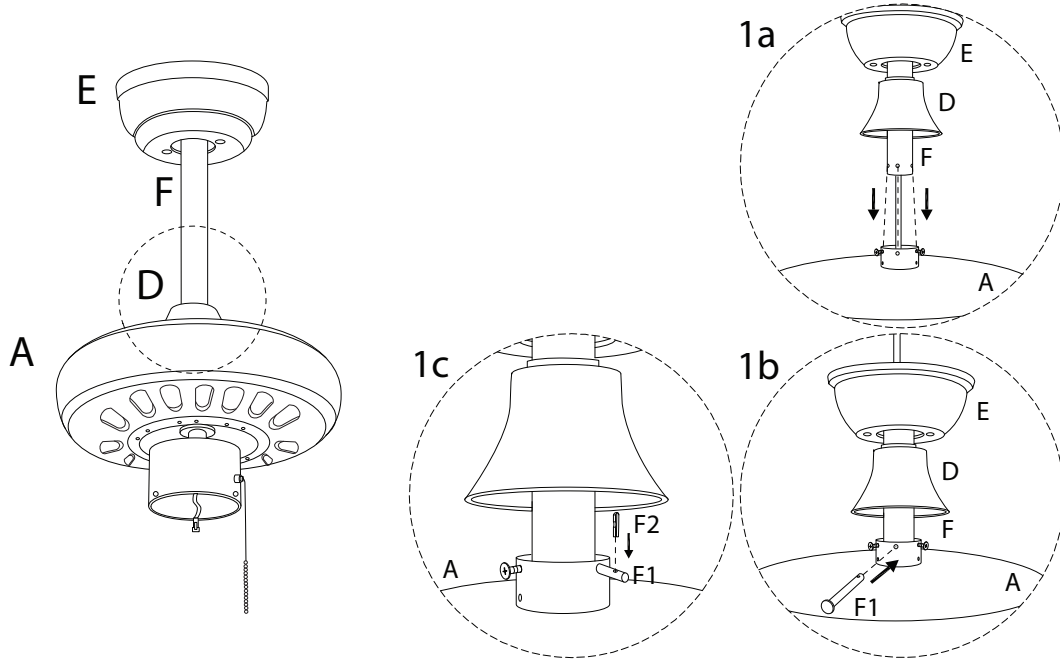
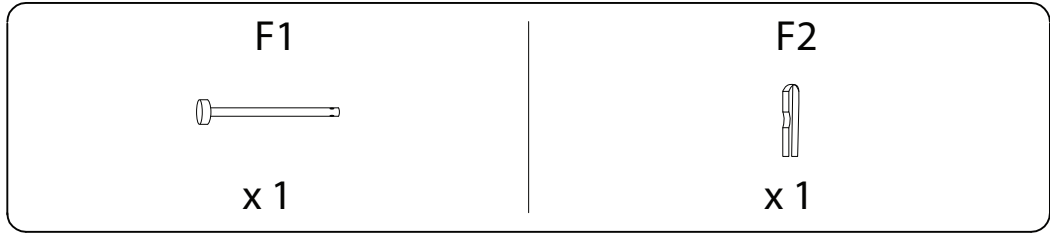
3



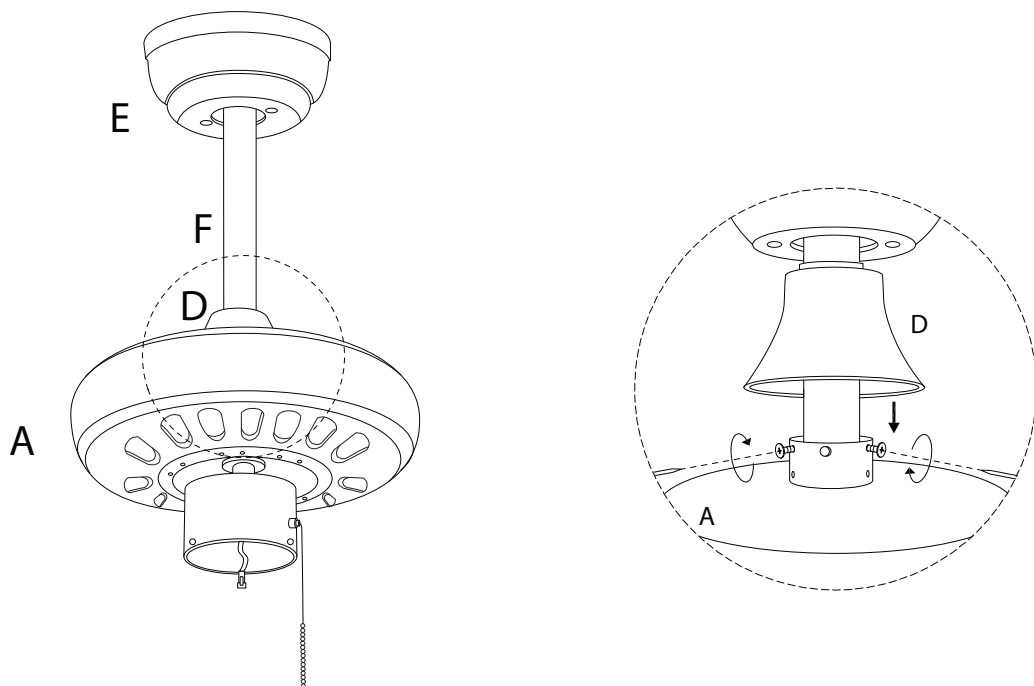
4



5

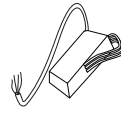


6

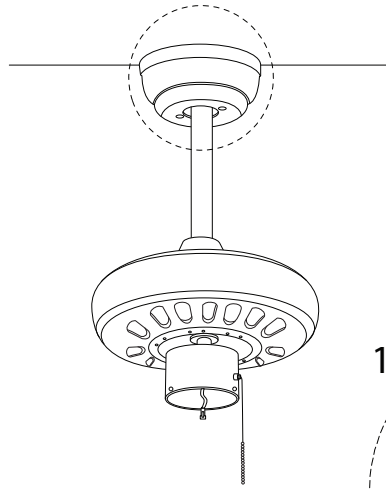


7

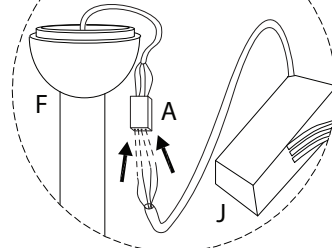
J



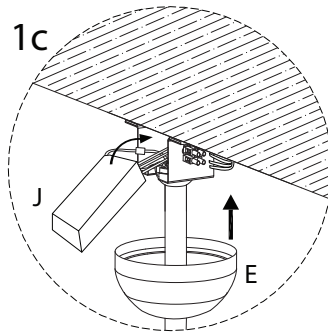
x 1



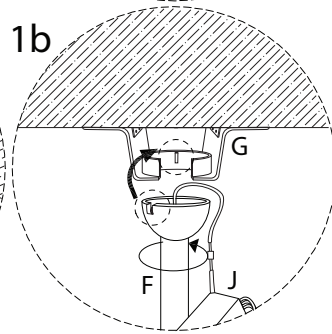
1a



1c



1b

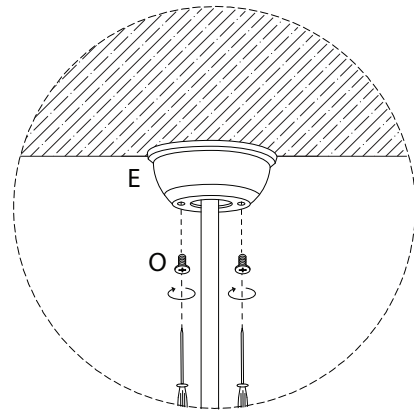
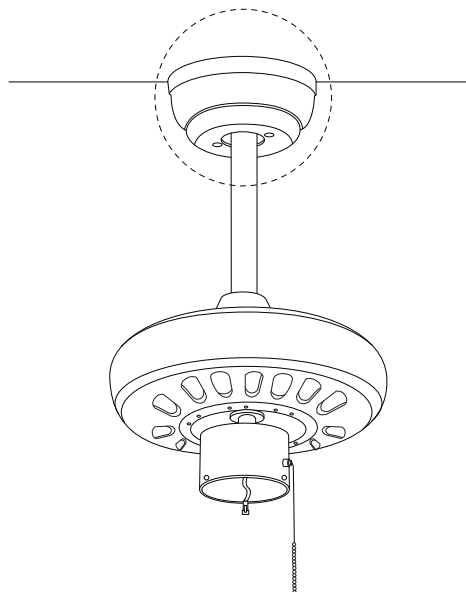


8

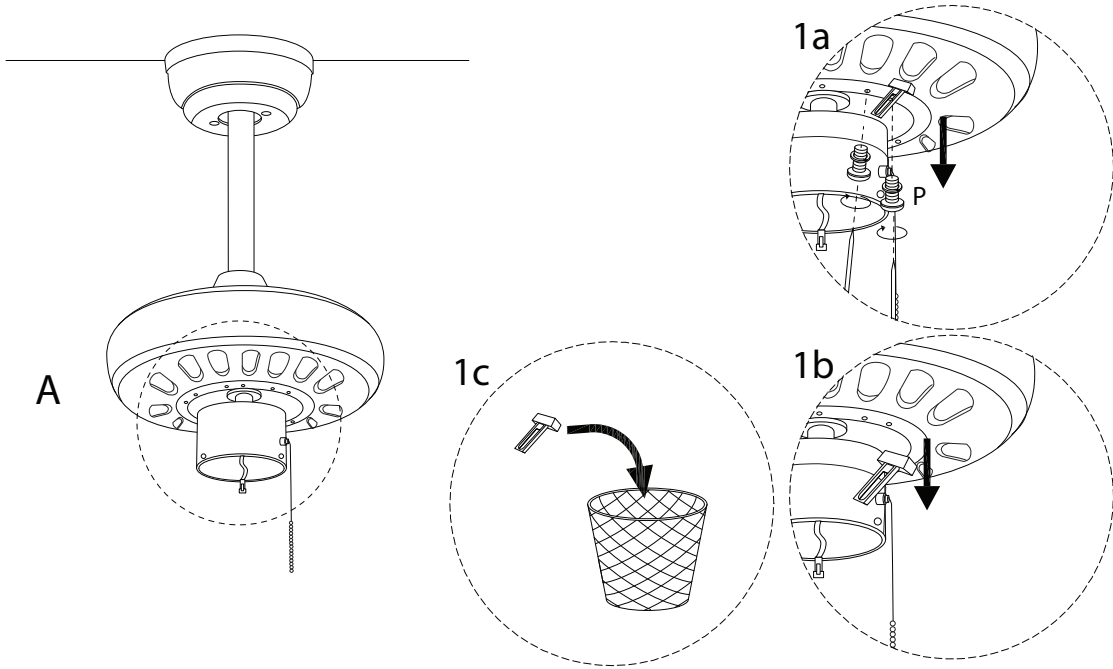
O



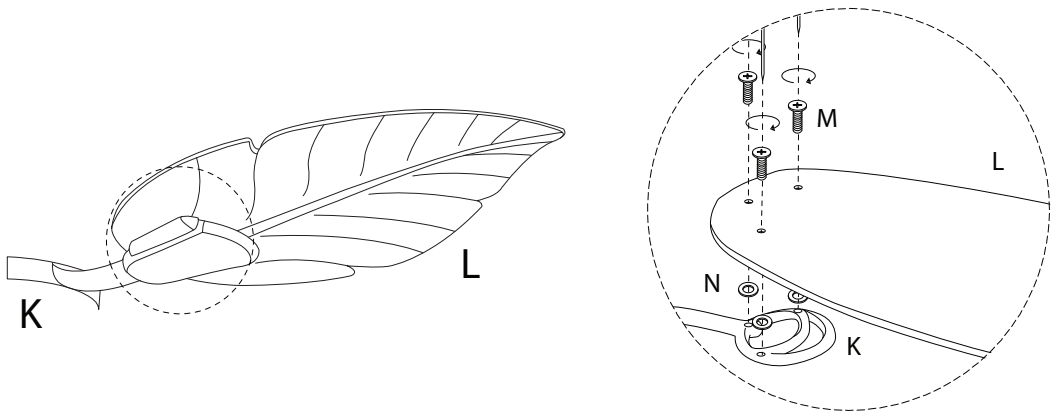
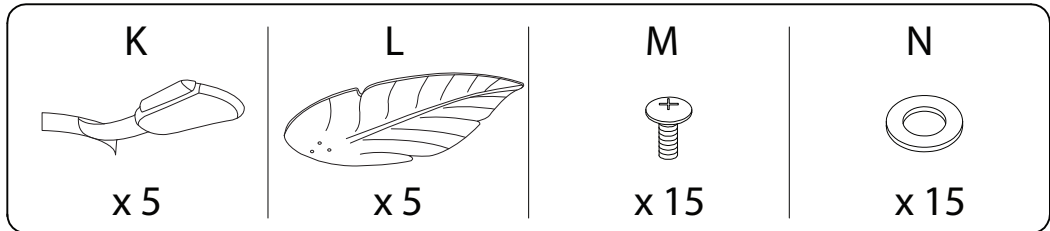
x 2



9



10

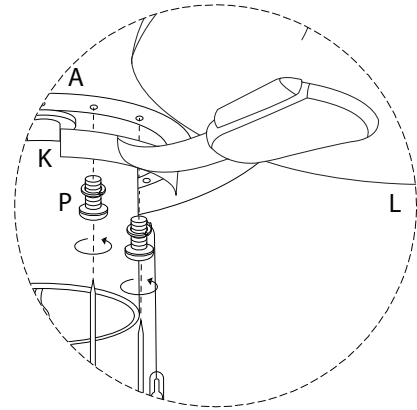
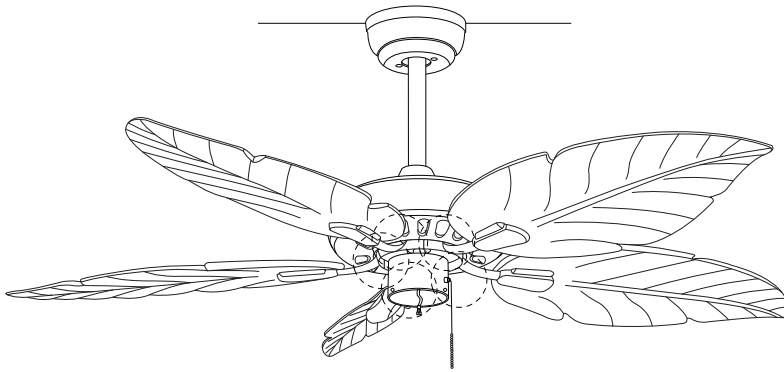


11

P



x 10

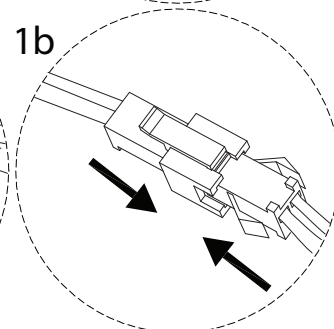
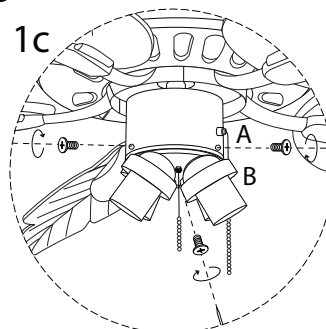
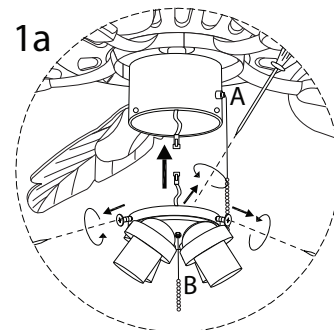
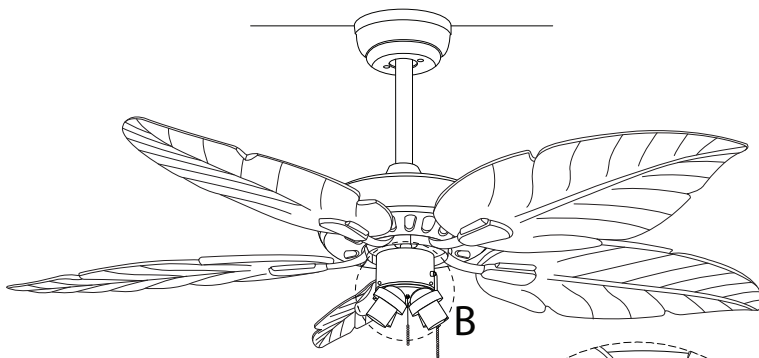


12

B

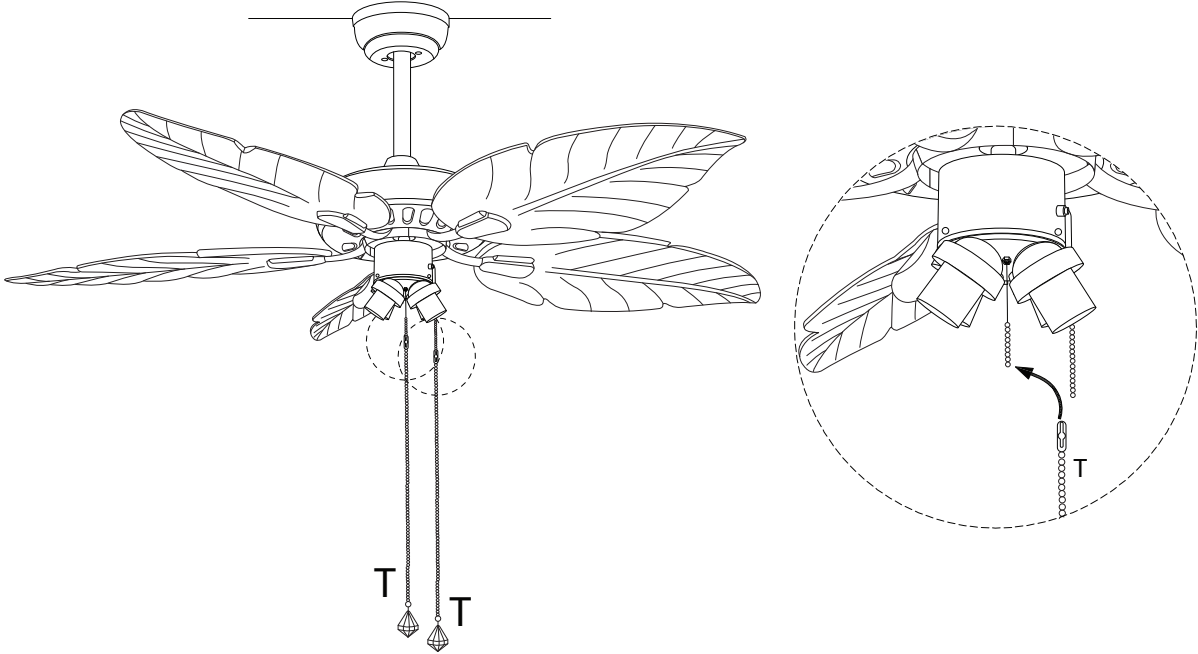


x 1



13

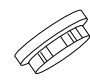
T
|
x 2

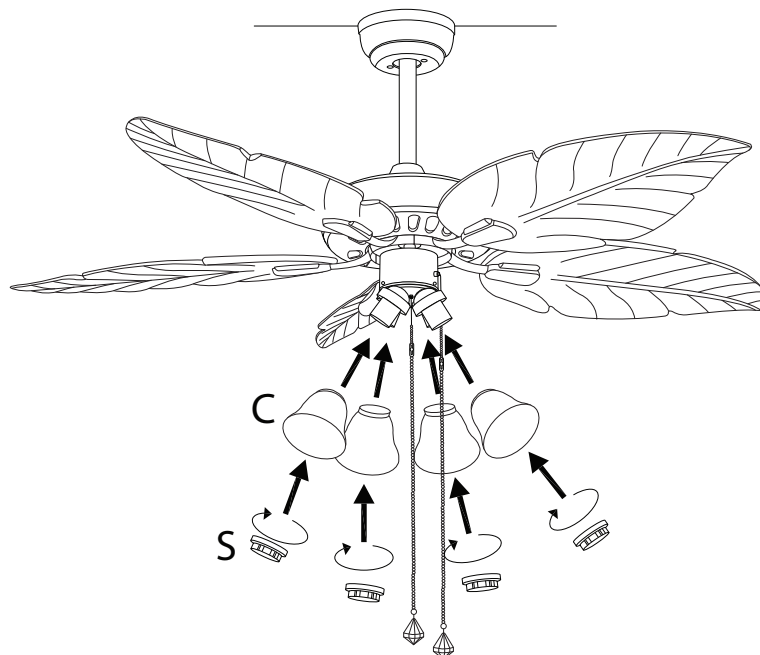


14

C

x 4

S

x 4



15

