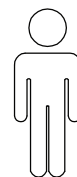
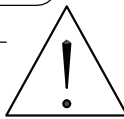
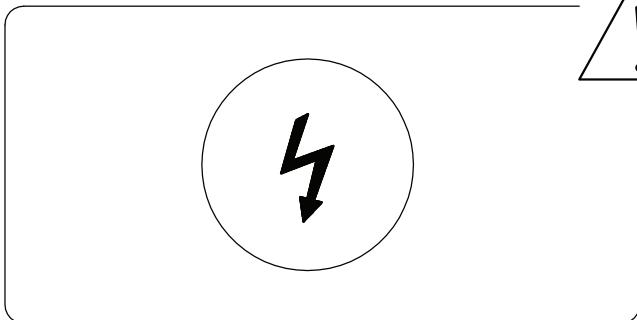
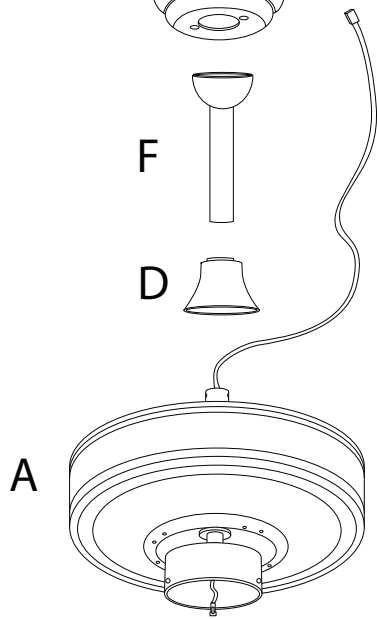
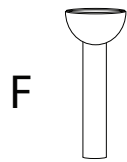
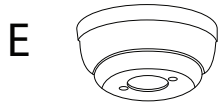
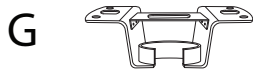


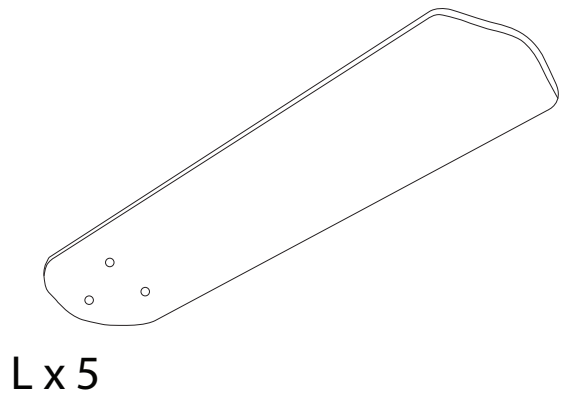
60'



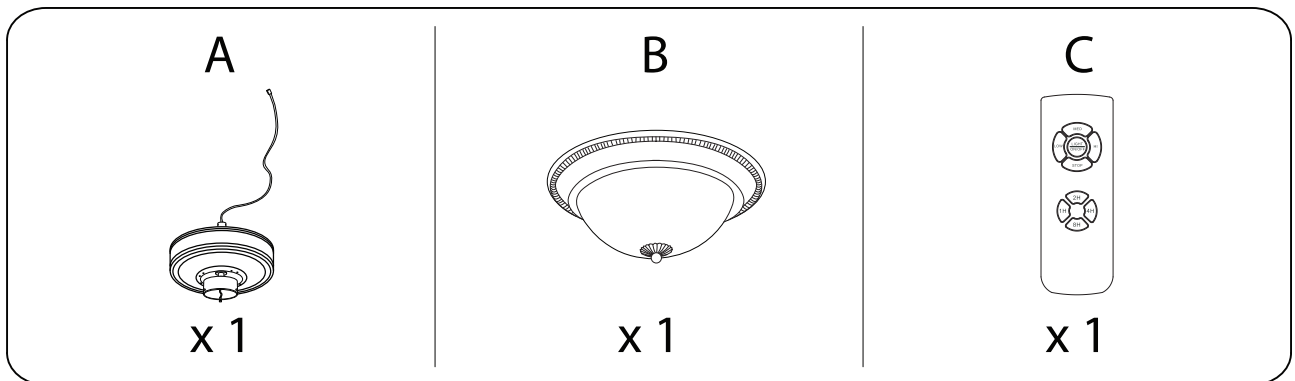
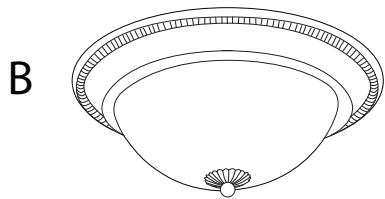
1



**K x 5**



**L x 5**

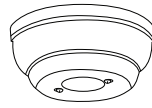


D



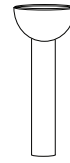
x 1

E



x 1

F



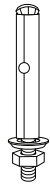
x 1

G



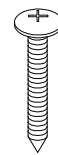
x 1

H



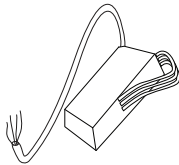
x 2

I



x 4

J



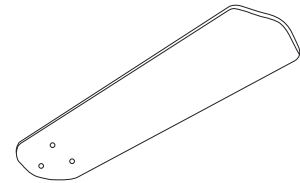
x 1

K



x 5

L



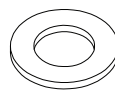
x 5

M



x 15

N



x 15

O

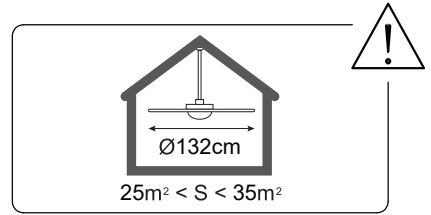
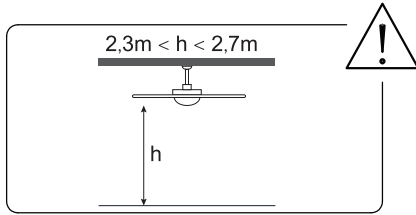
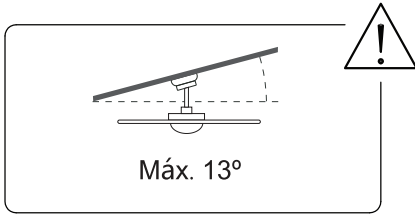
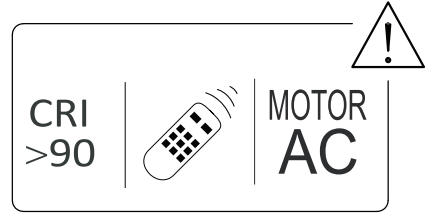
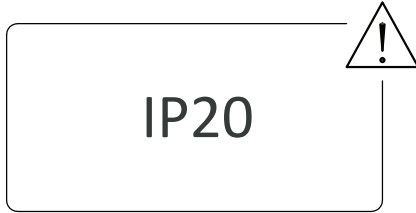
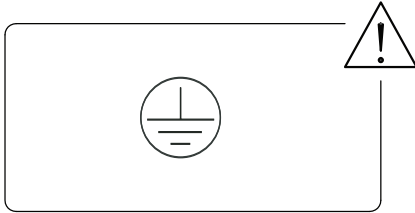
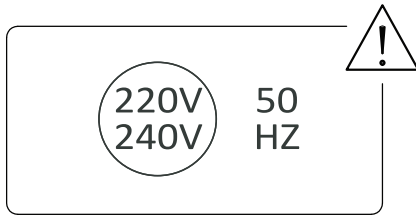


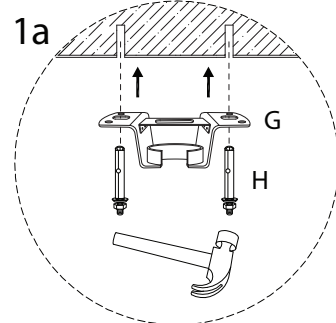
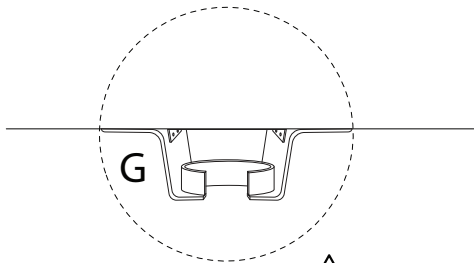
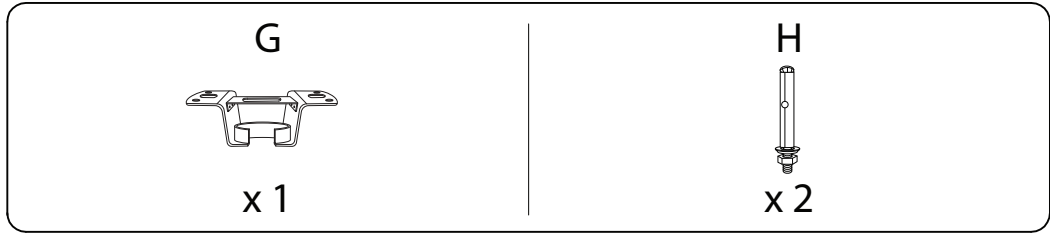
x 2

P

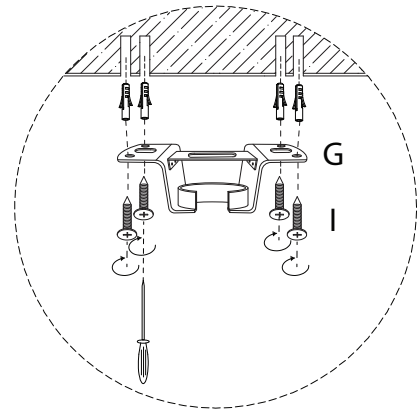
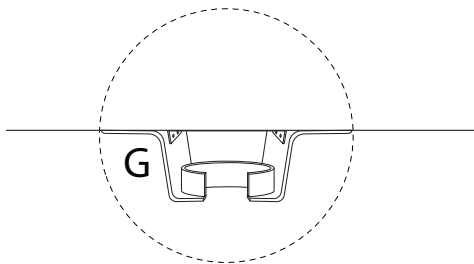
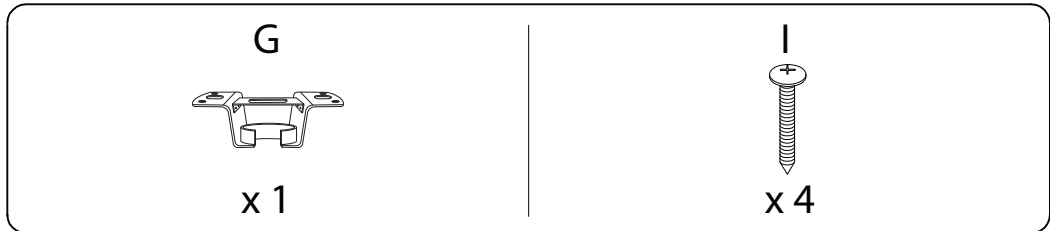
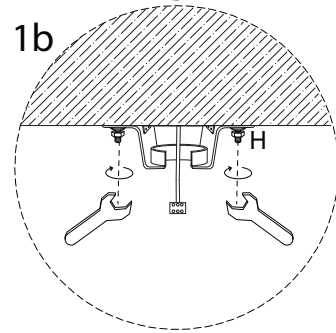
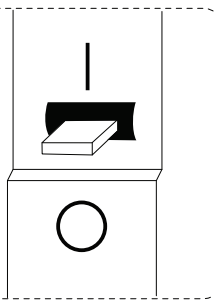


x 10

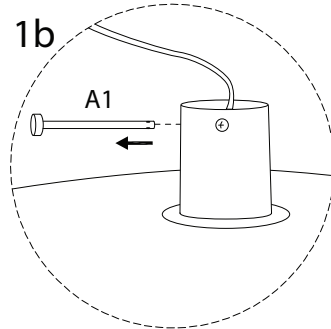
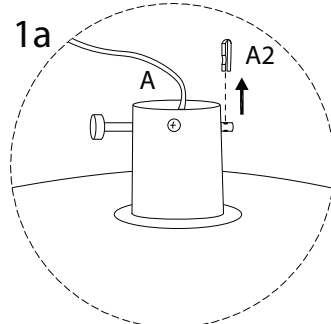
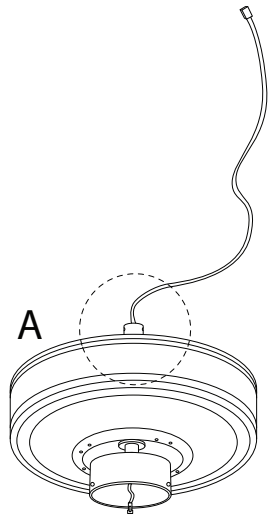




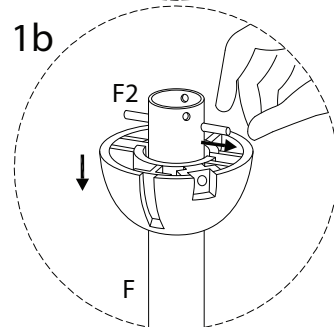
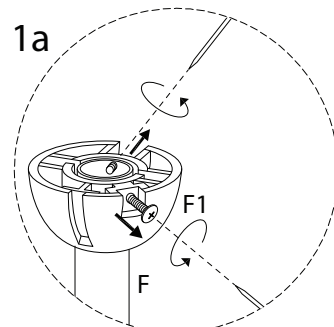
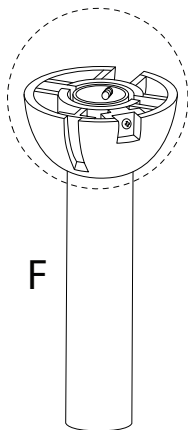
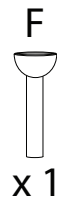
OFF



1



2



3

D

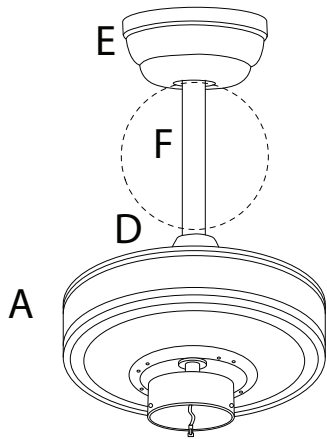


x 1

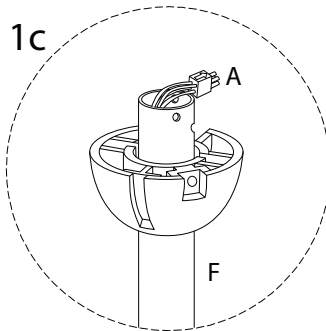
E



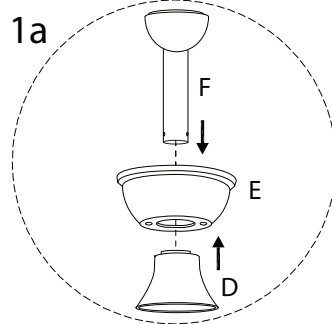
x 1



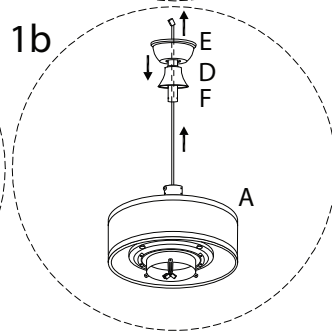
1c



1a



1b



4

F1

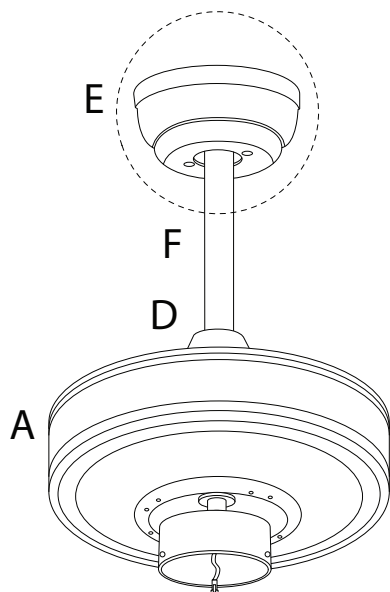


x 2

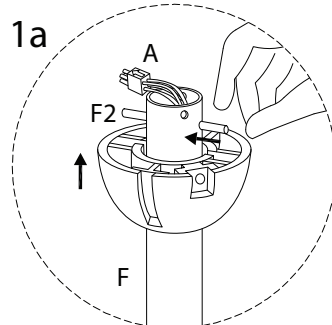
F2



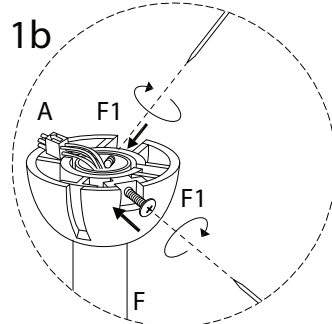
x 1



1a



1b



5

A1

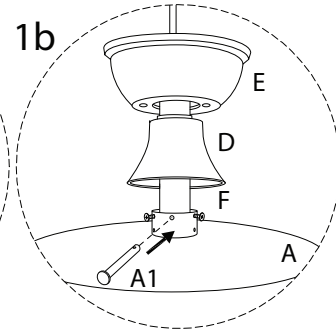
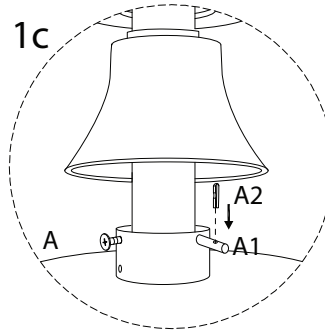
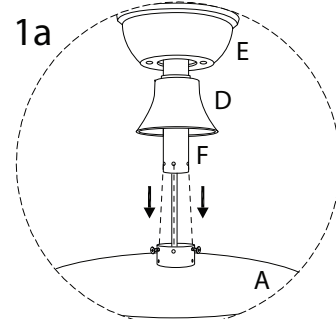
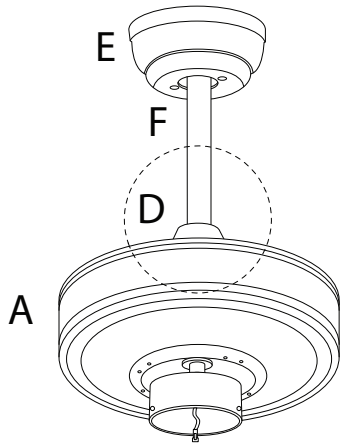


x 1

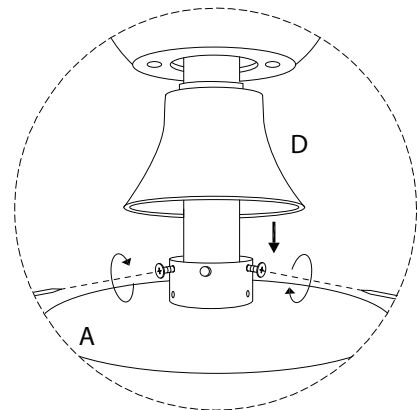
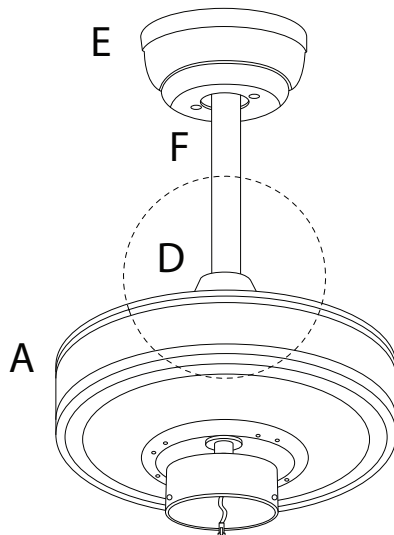
A2



x 1



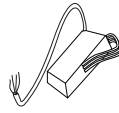
6



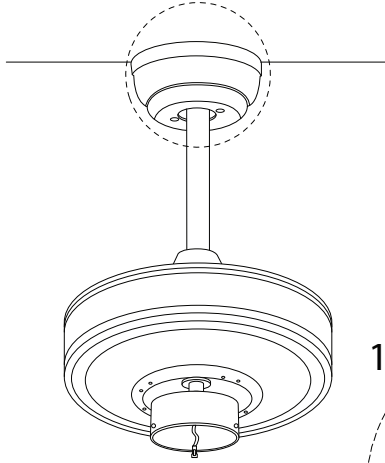


7

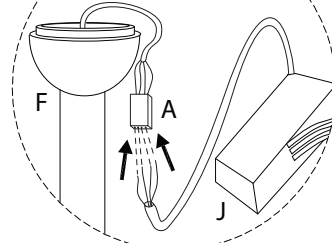
J



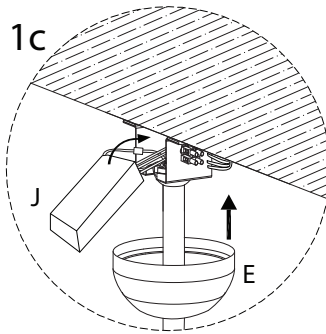
x 1



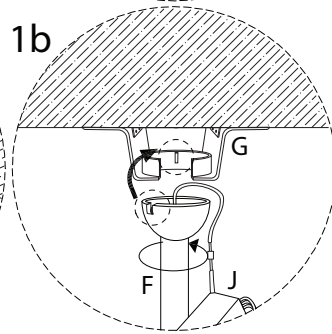
1a



1c



1b

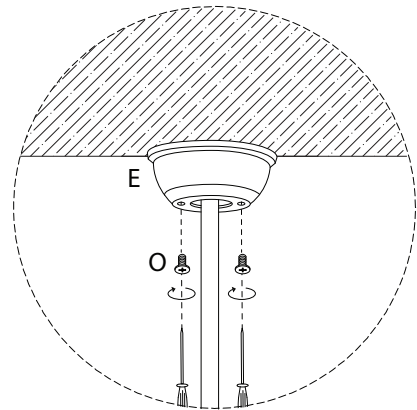
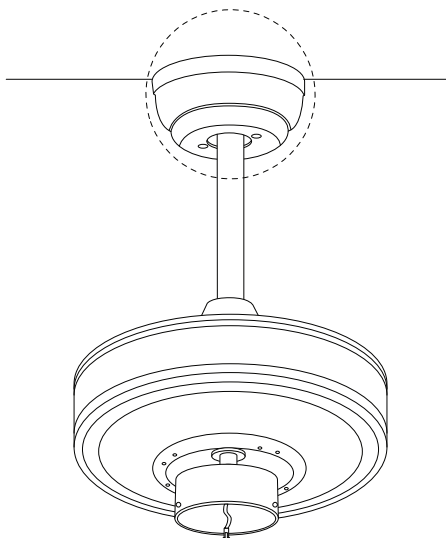


8

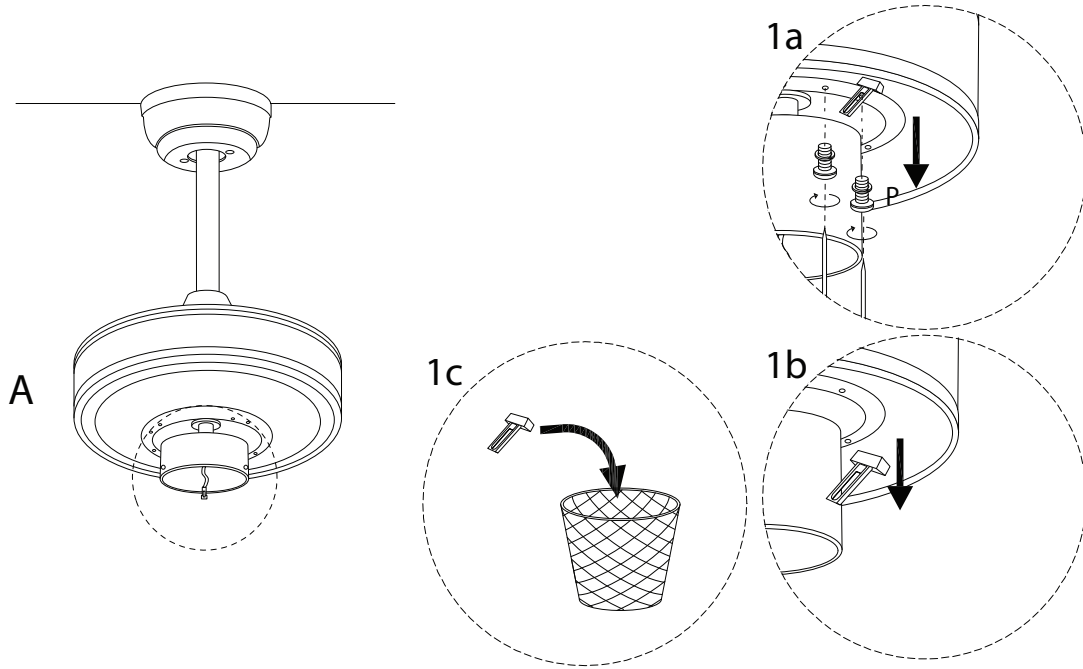
O



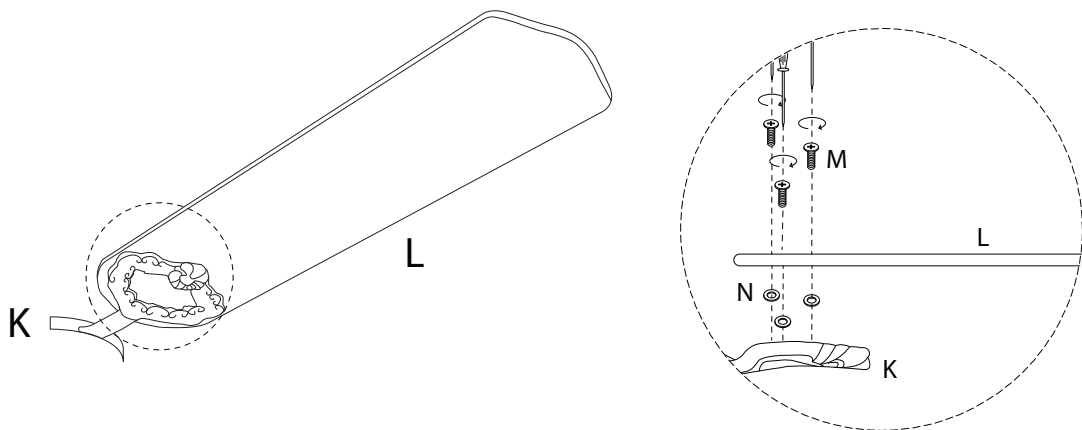
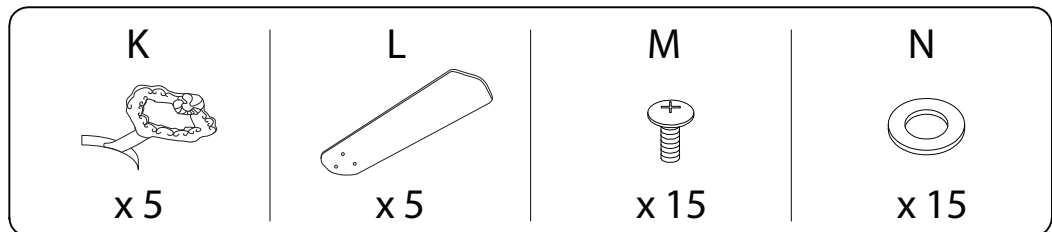
x 2



9



10

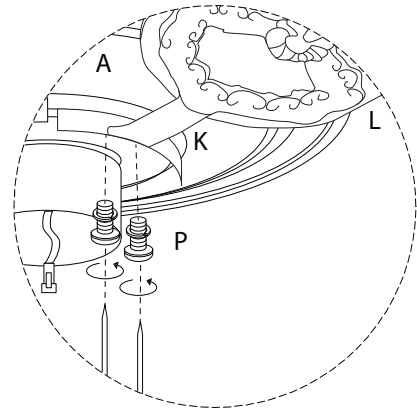
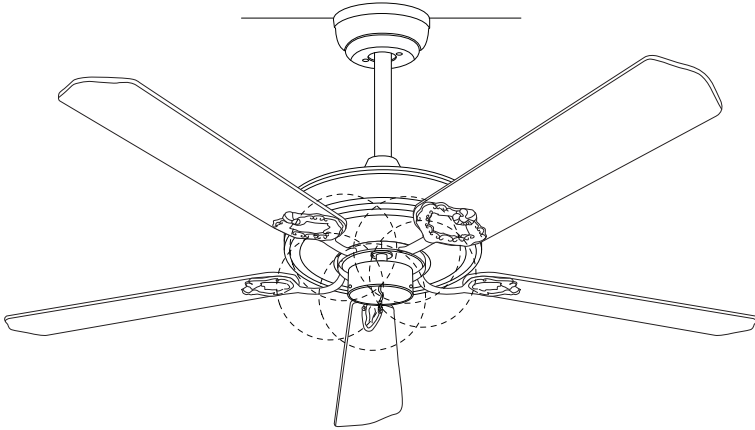


11

P



x 10



12

B



x 1

