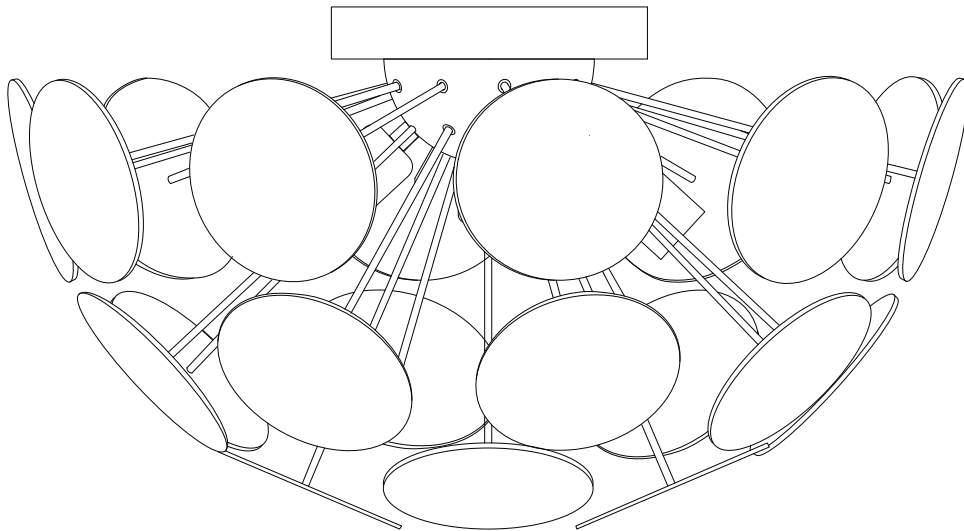


# MARITSA



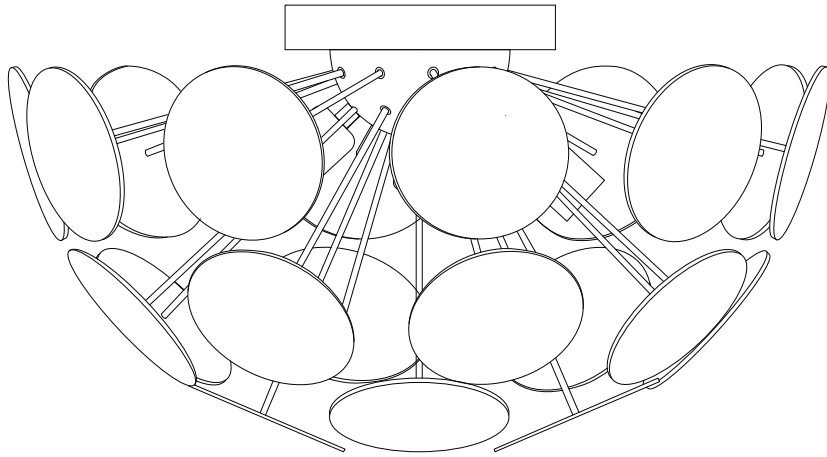


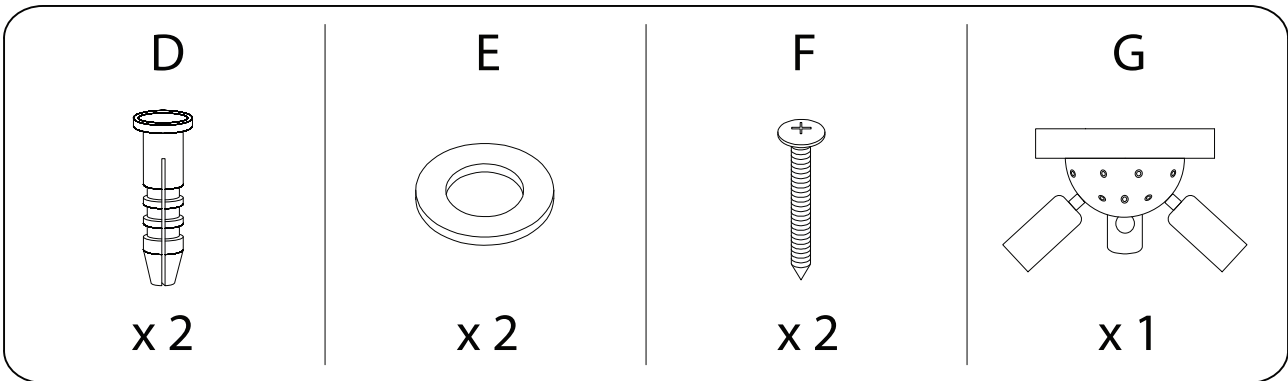
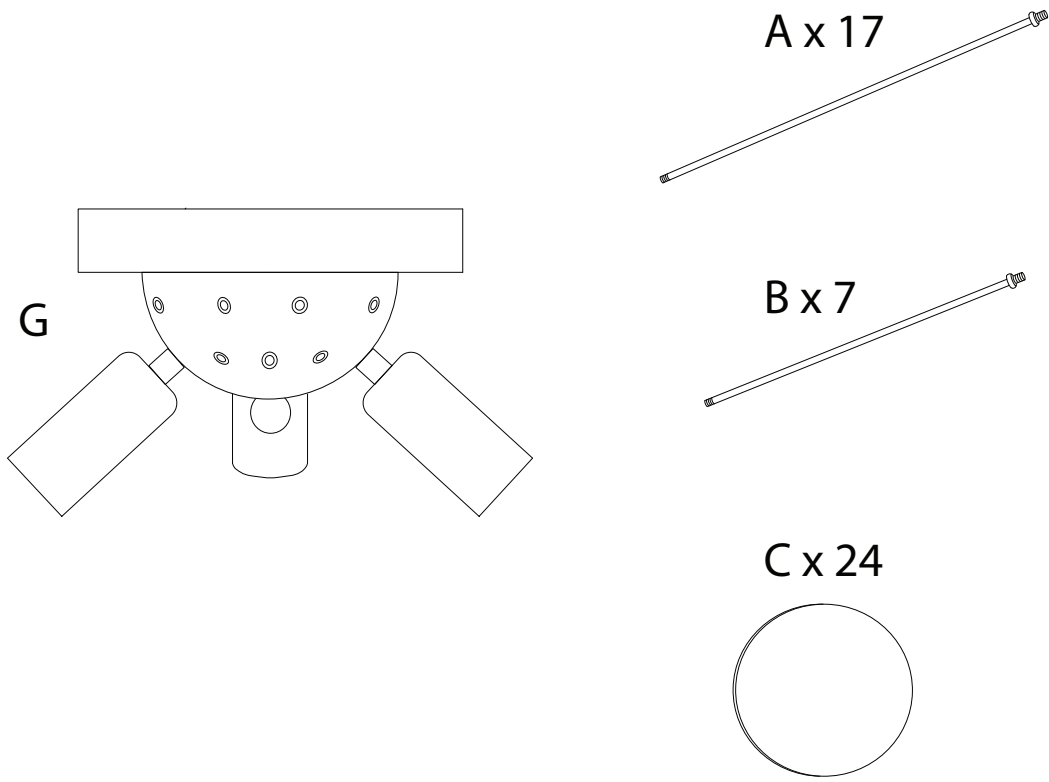
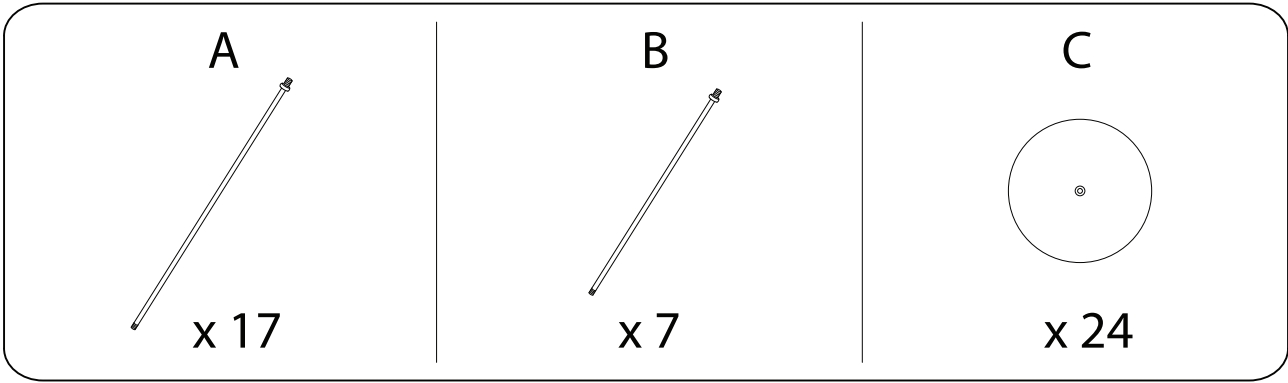
Diagram illustrating the required tools, time, and personnel for the installation step.

**Tools:** A screwdriver and a power drill are shown in circular icons within a rectangular box. A warning triangle with an exclamation mark is positioned to the right of this box.

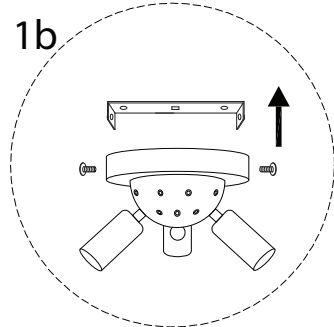
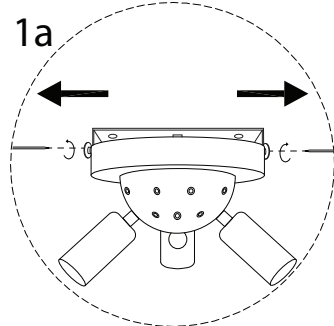
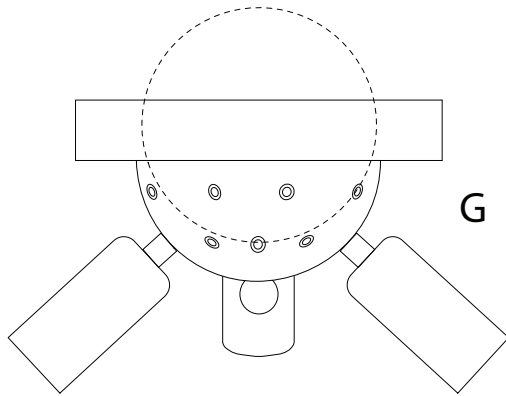
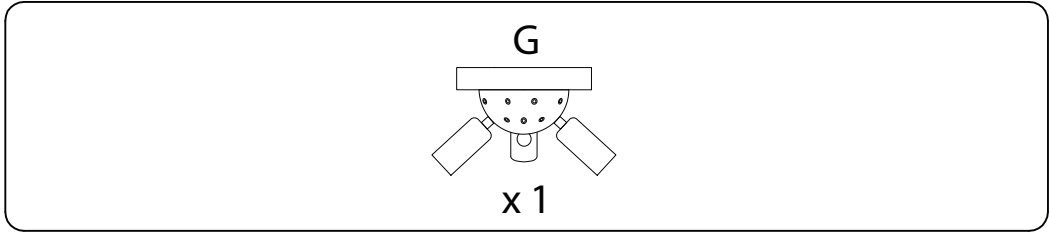
**Time:** A clock icon is shown to the right of the tools box, with the text "30'" below it, indicating the estimated installation time.

**Personnel:** A person icon is shown to the right of the clock, with the number "1" below it, indicating that one person is required for the installation.

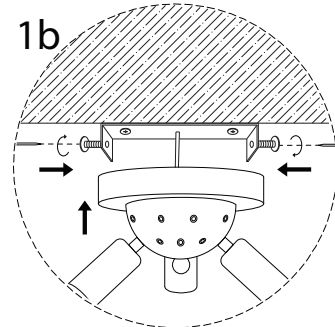
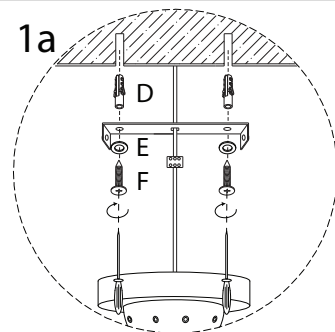
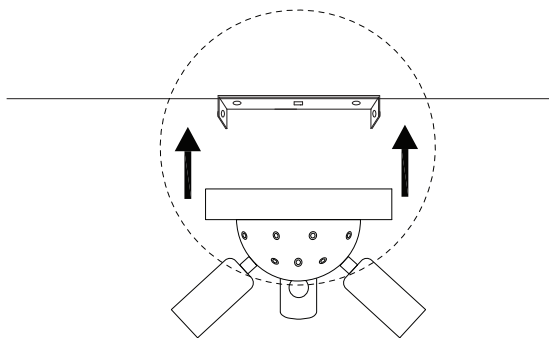
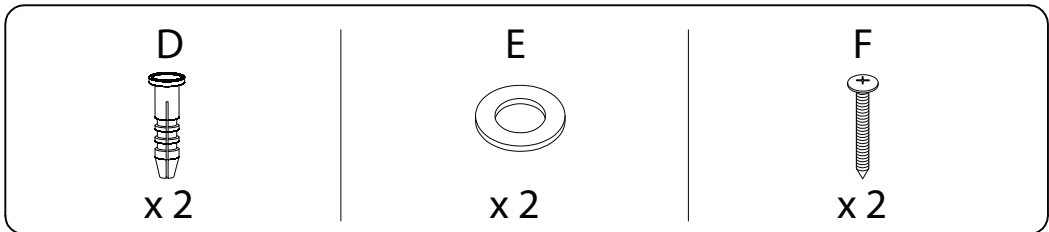
A second warning triangle with an exclamation mark is positioned above the person icon, and a circular icon with a lightning bolt symbol is located within a rectangular box below the tools box, indicating a warning of electrical hazard.



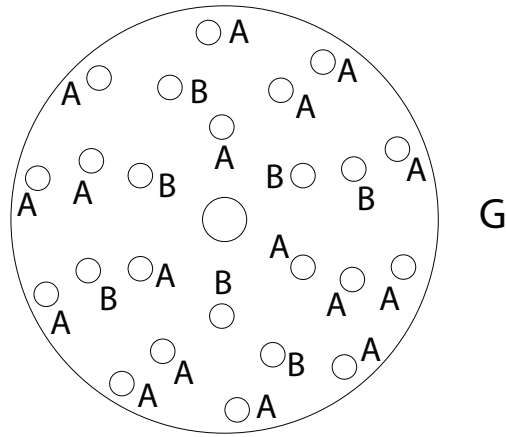
1



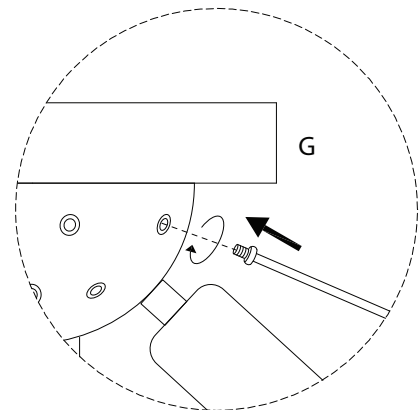
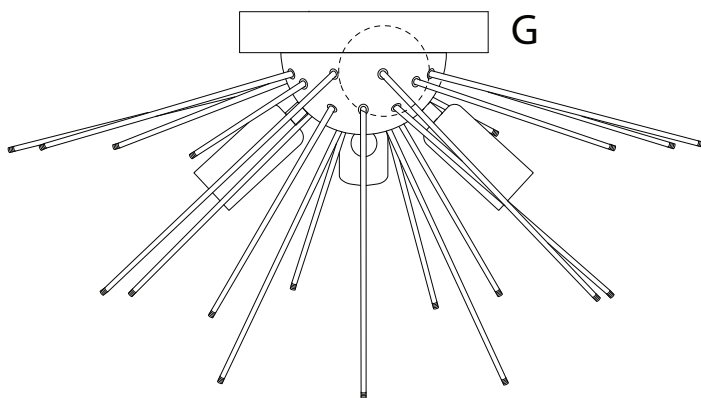
2



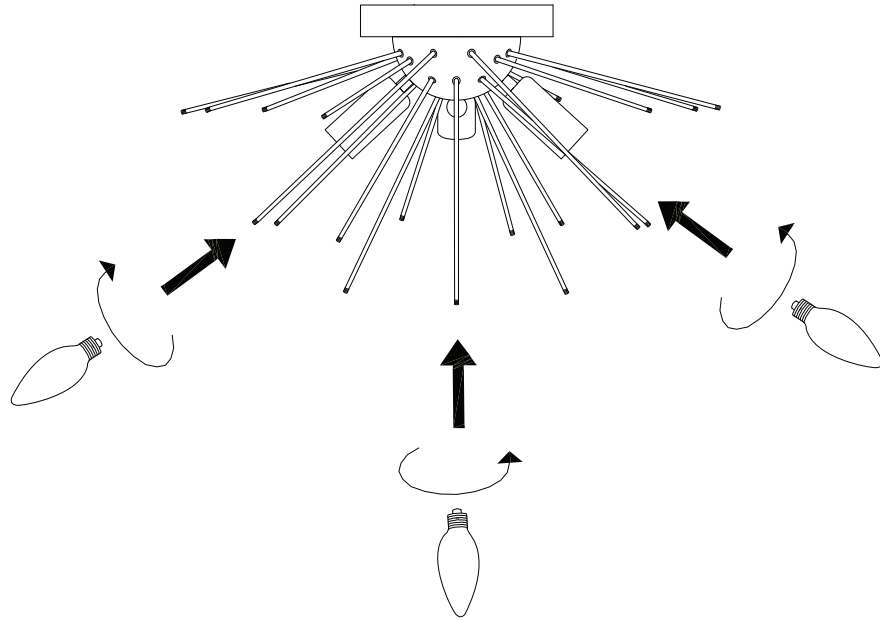
!



3



4



5

