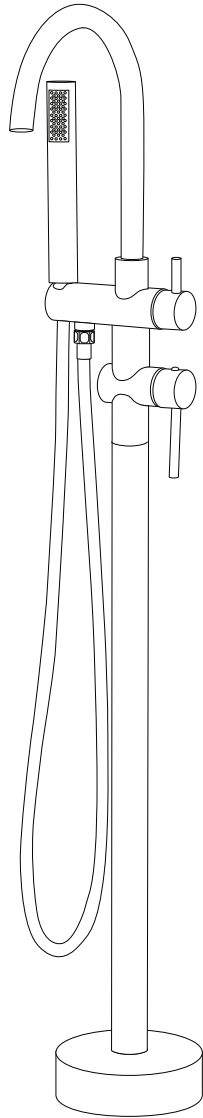
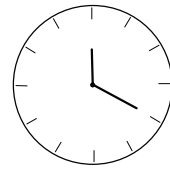
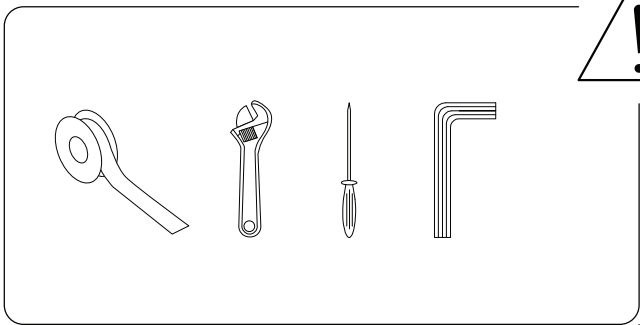
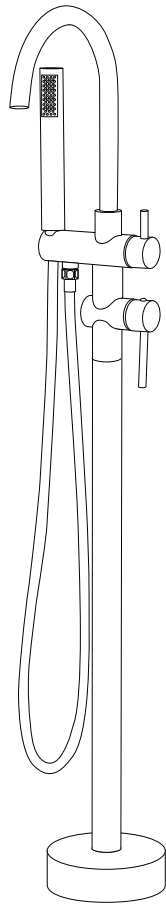
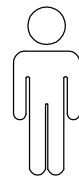
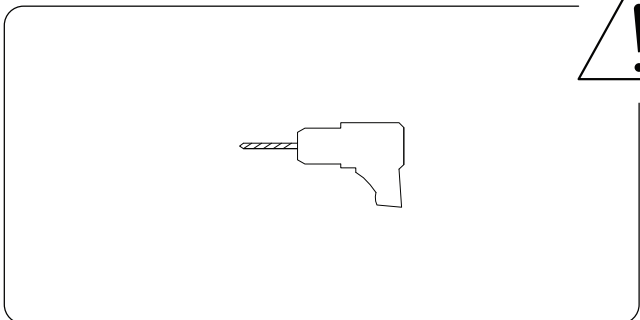


TUGELA

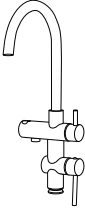

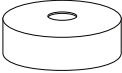




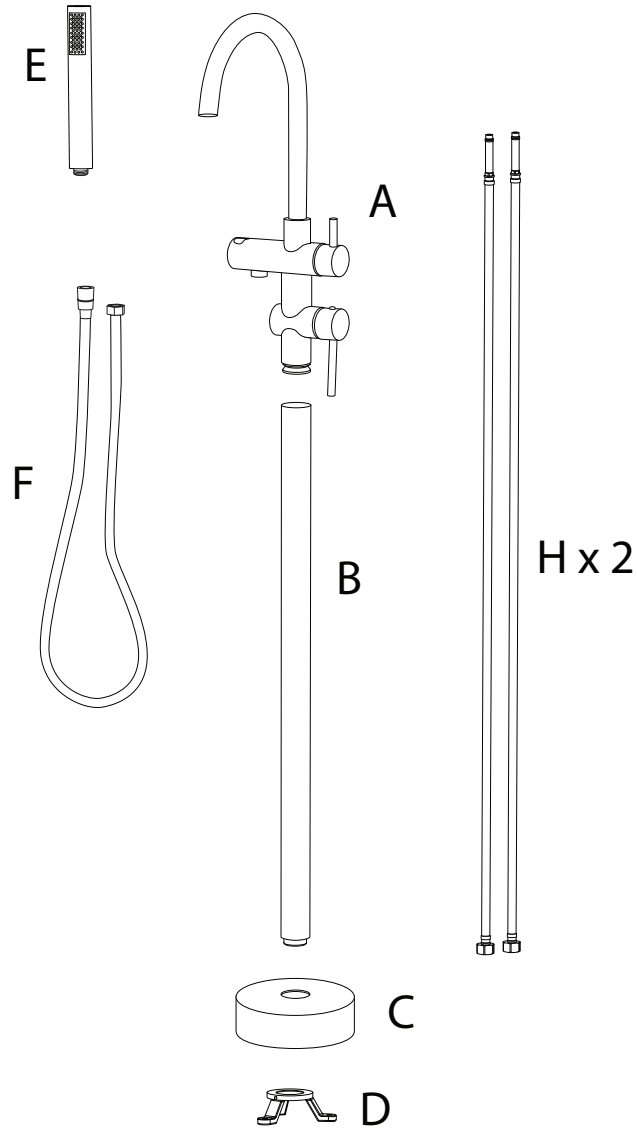


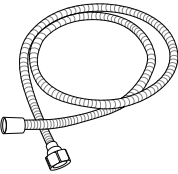

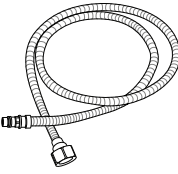
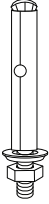

20'



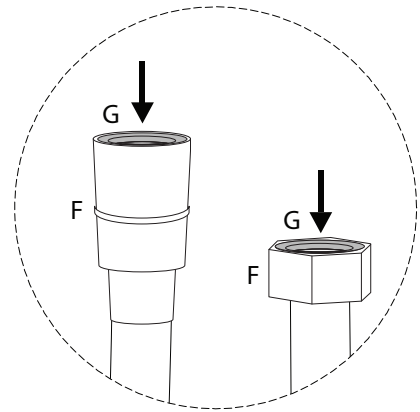
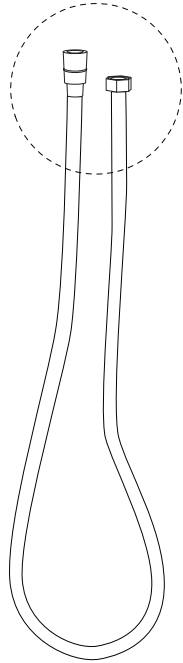
1

A	B	C	D	E
				
x 1	x 1	x 1	x 1	x 1



F	G	H	I	J
				
x 1	x 2	x 2	x 3	x 1

!



1

B

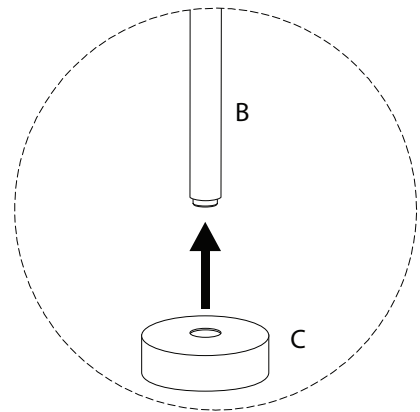
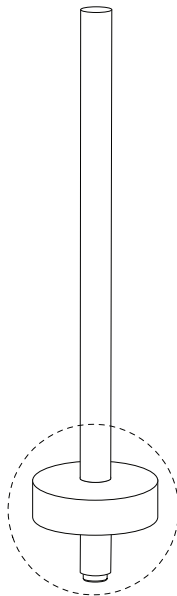


x 1

C



x 1



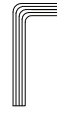
2

D

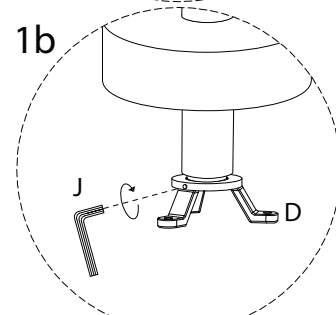
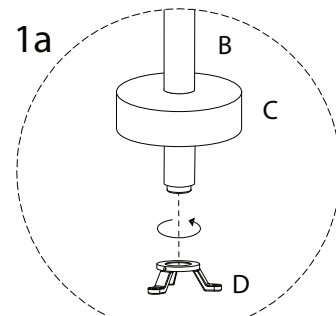
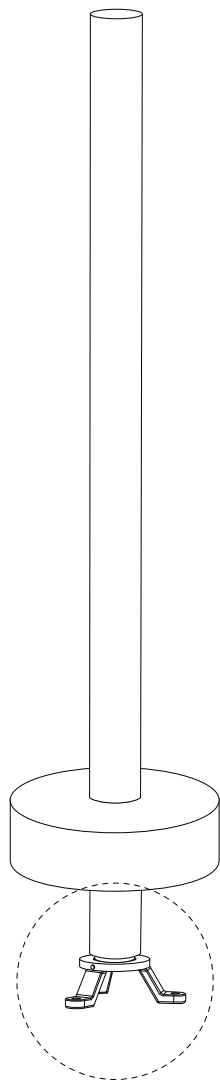


x 1

J



x 1

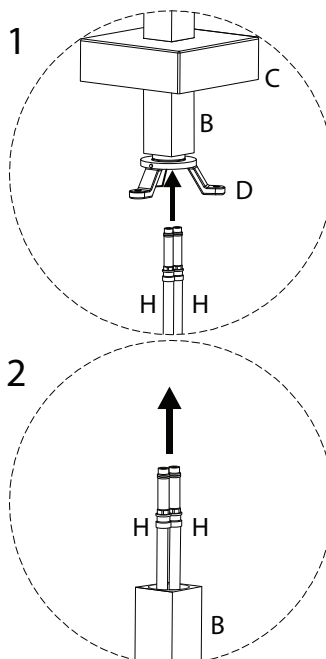
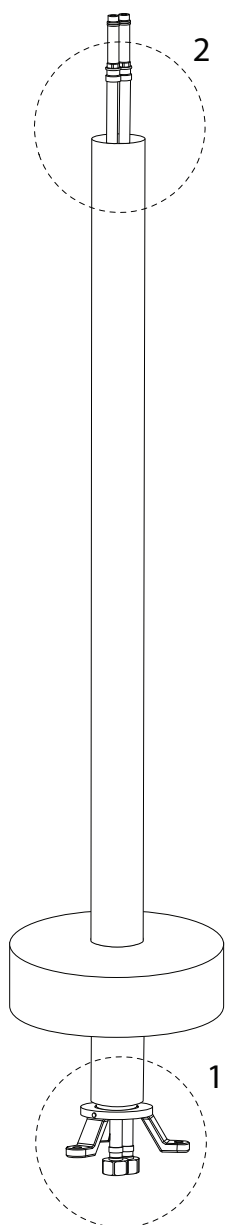


3

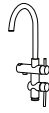
H

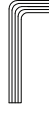


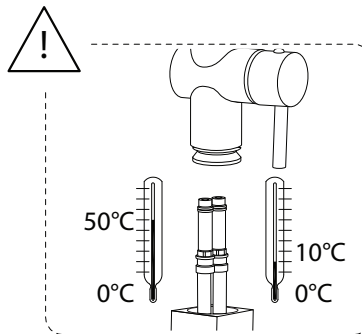
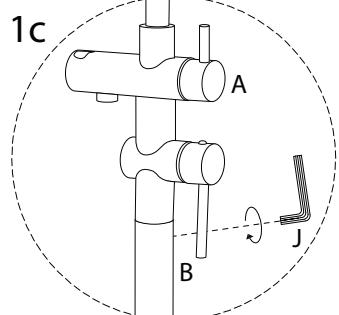
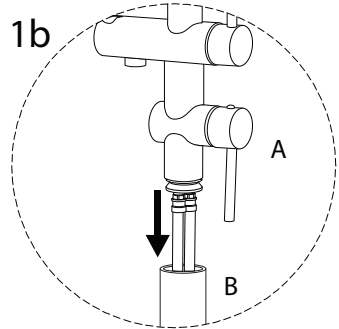
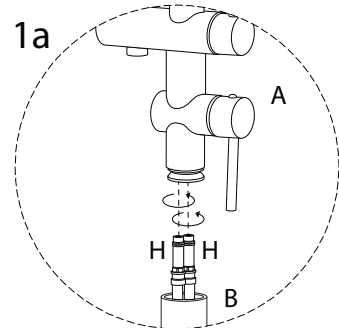
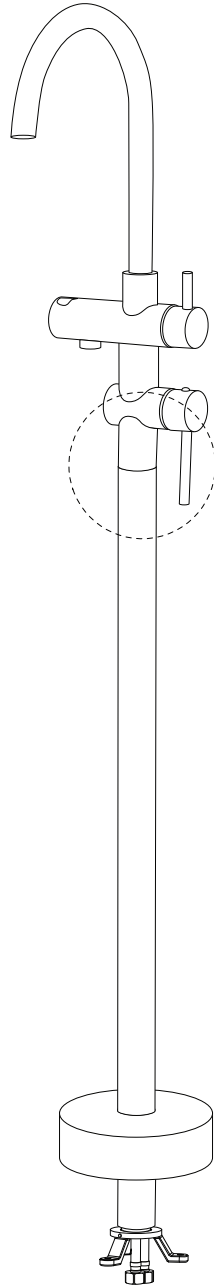
x2



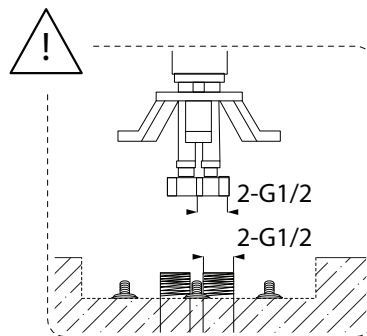
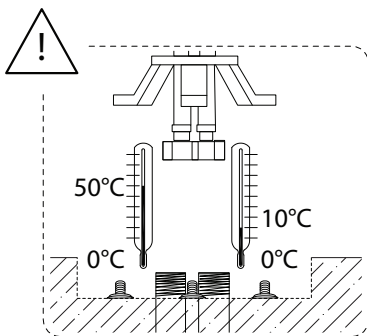
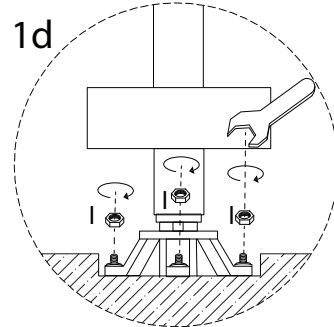
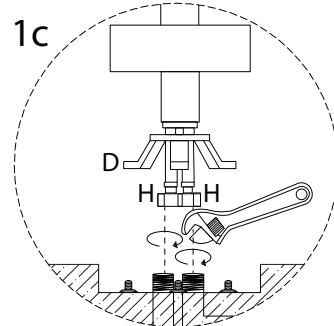
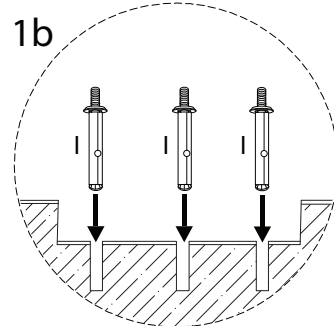
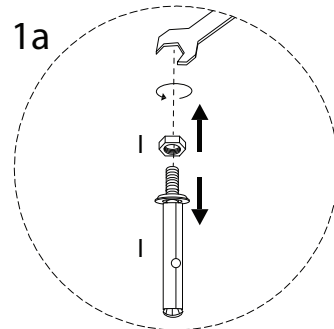
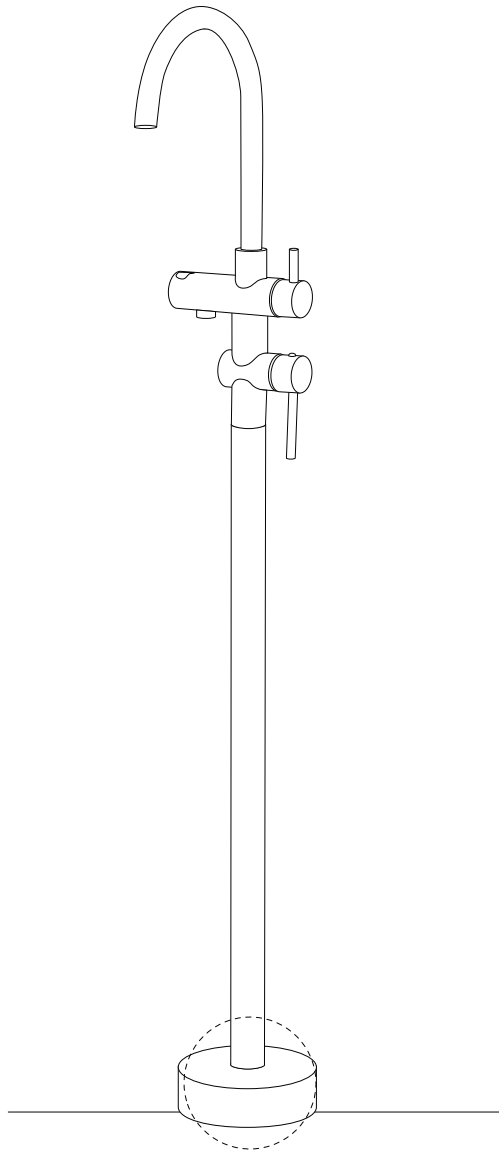
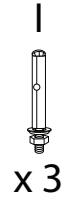
4

A

x 1

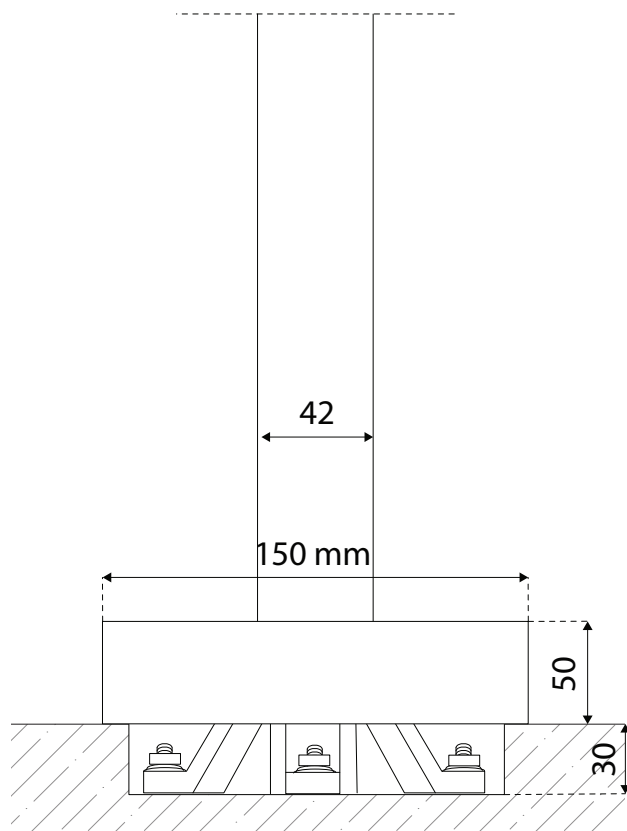
J

x 1



5



!



6

E



x 1

F

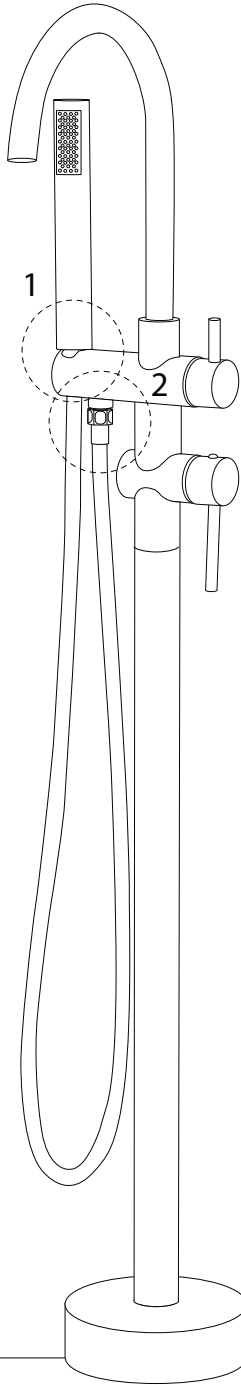


x 1

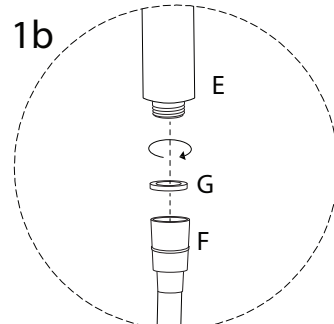
G



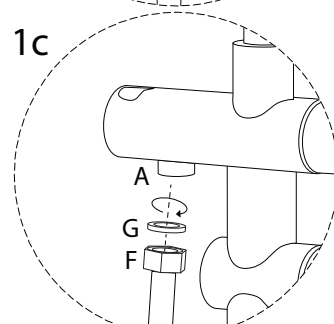
x 2



1b



1c



1d

