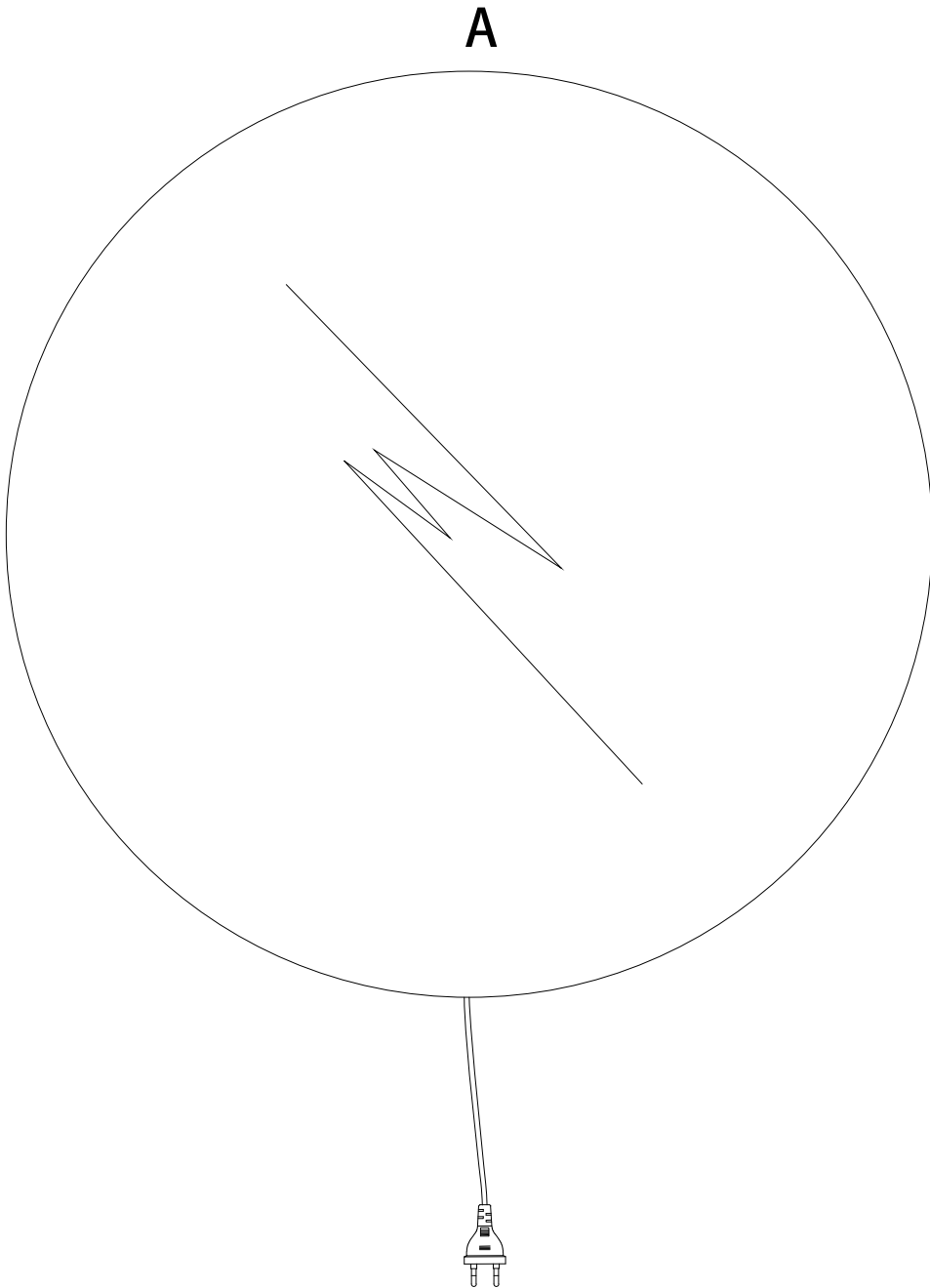
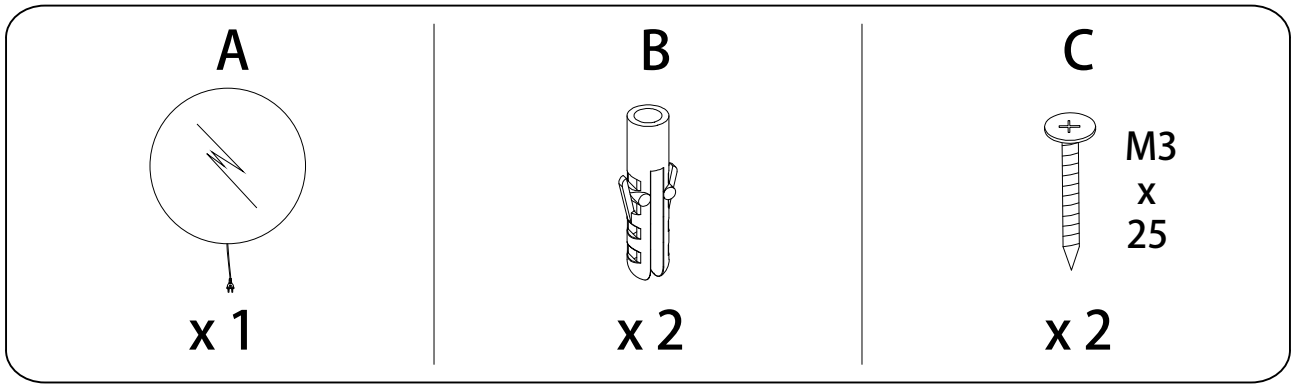


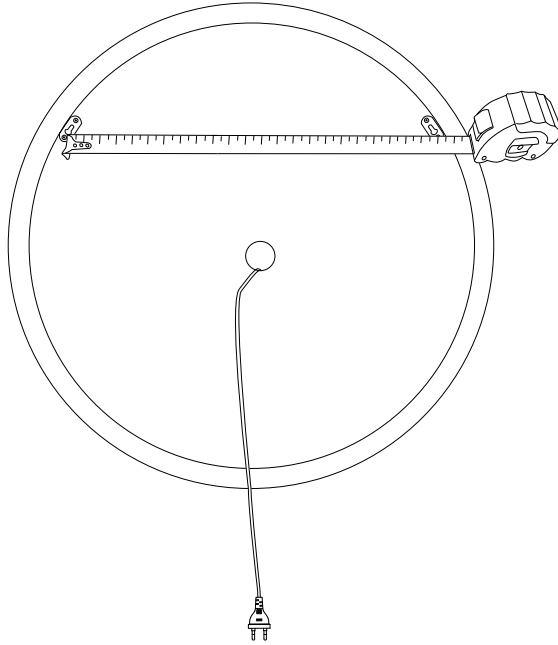
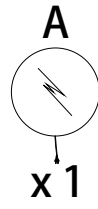

**10'**

**1**

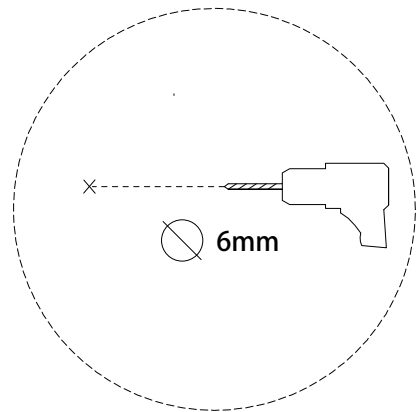
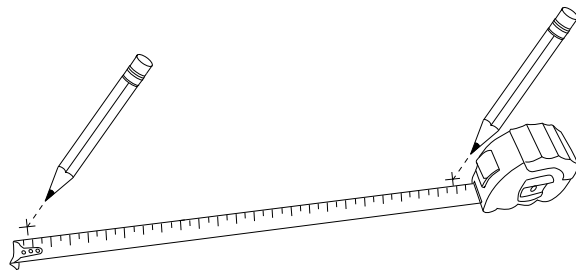
**1/5**




1




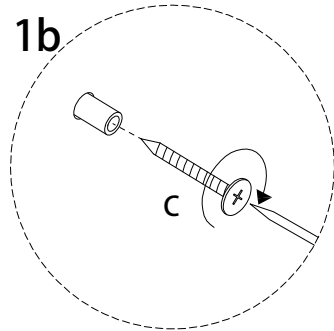
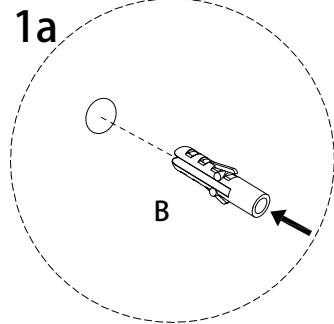
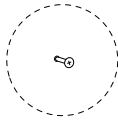
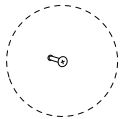
2




3

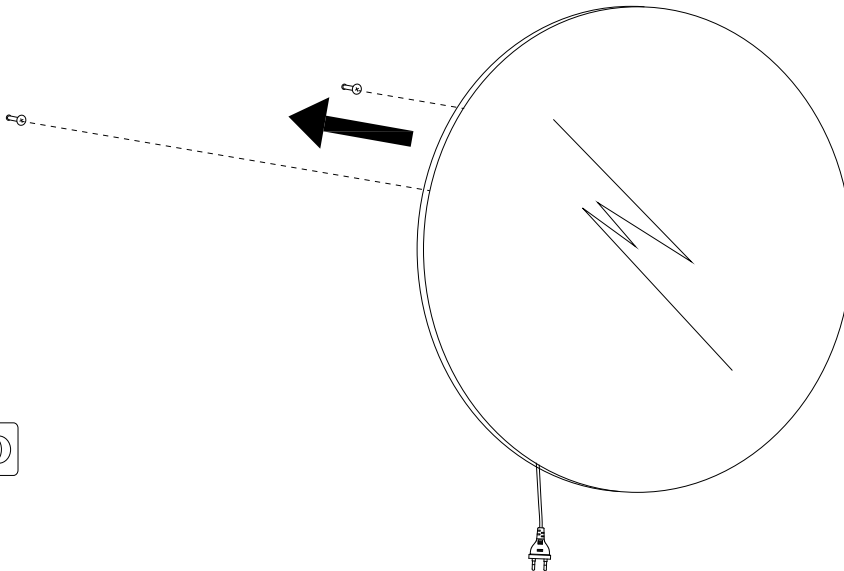
**B**  
  
x 2

**C**  
  
M3  
x 25  
x 2

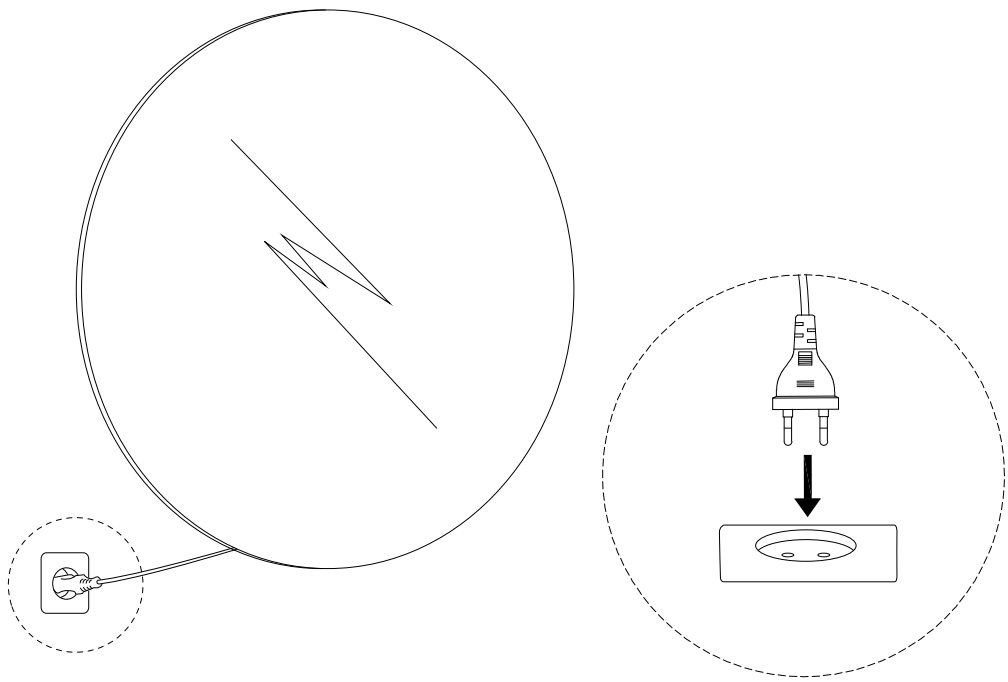


4

**A**  
  
x 1



5



!

