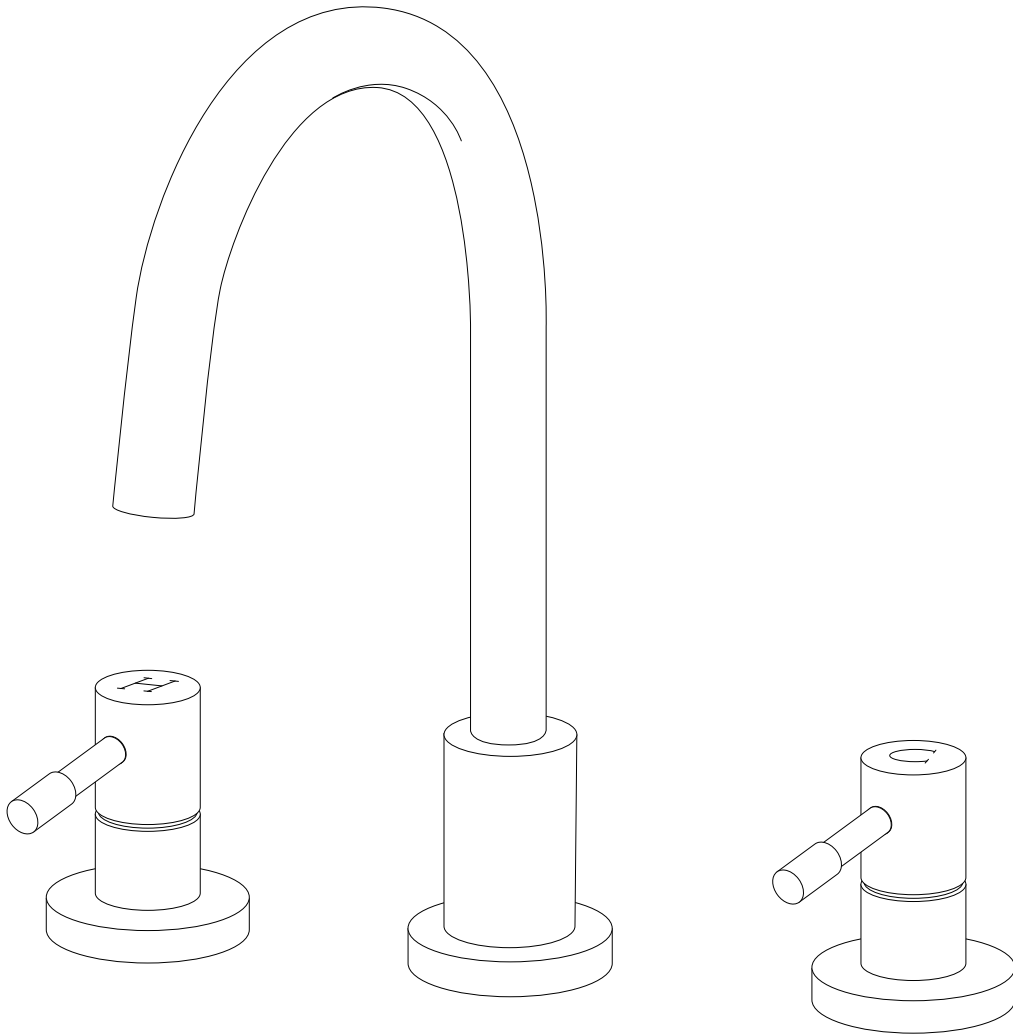
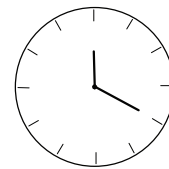
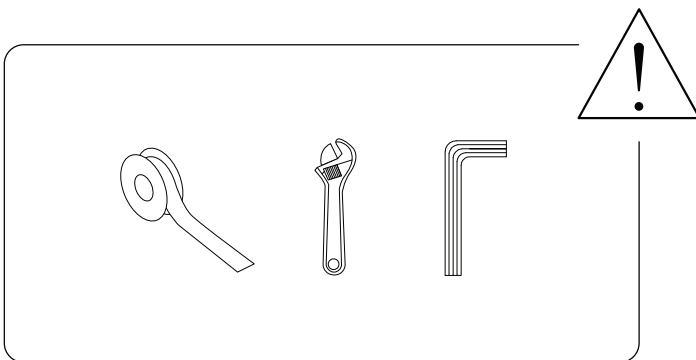
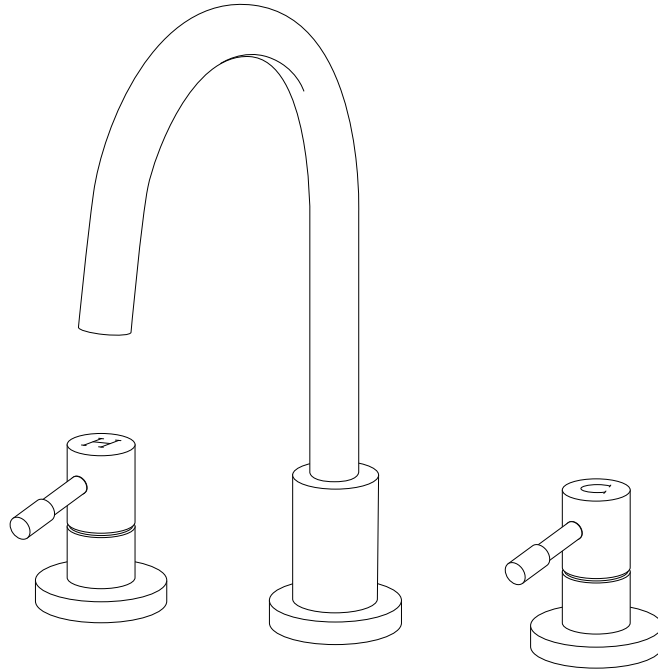
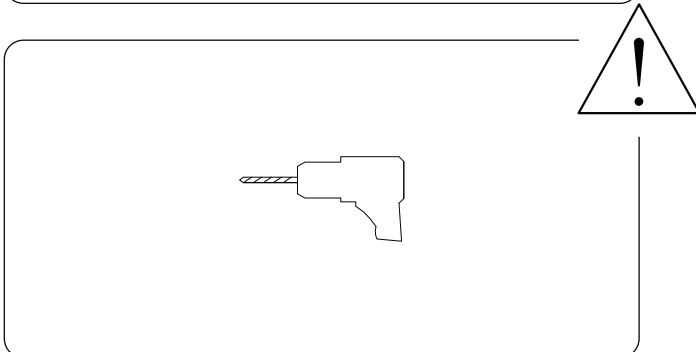


# SIPI

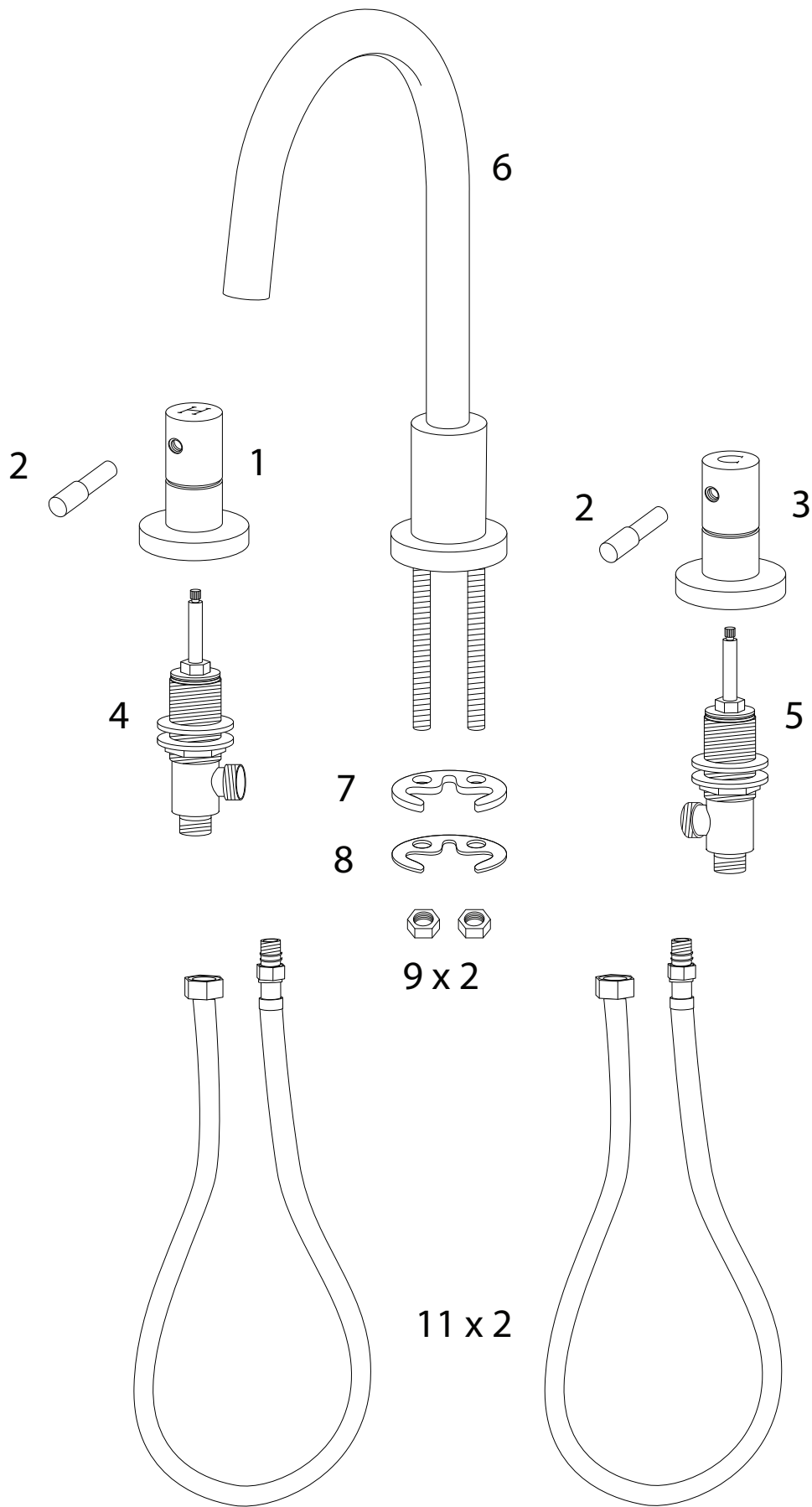


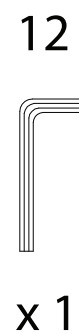
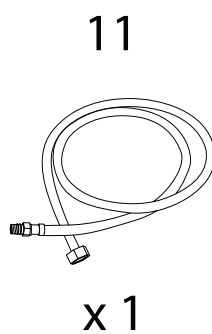
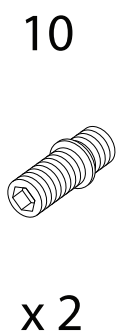
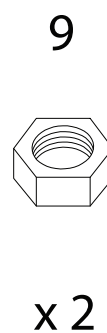
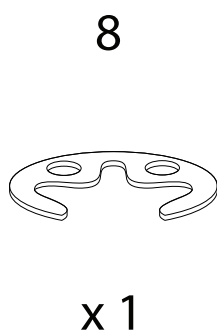
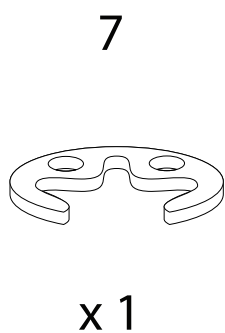
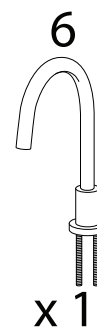
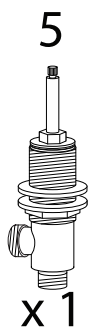
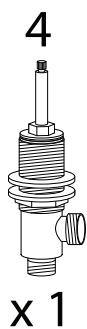
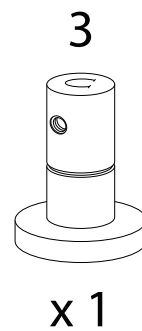
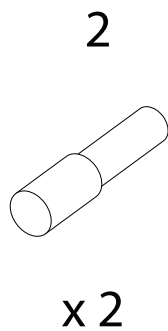
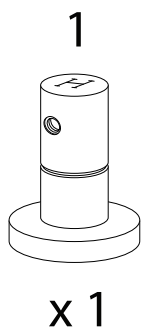


20'



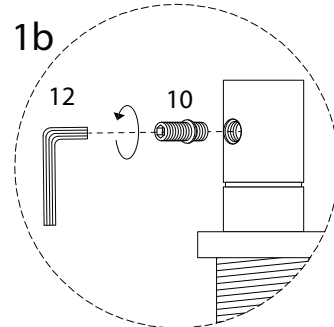
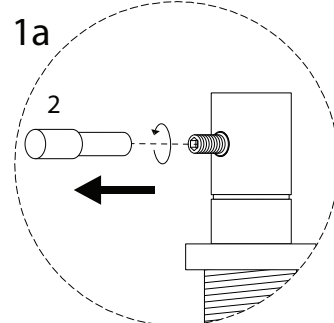
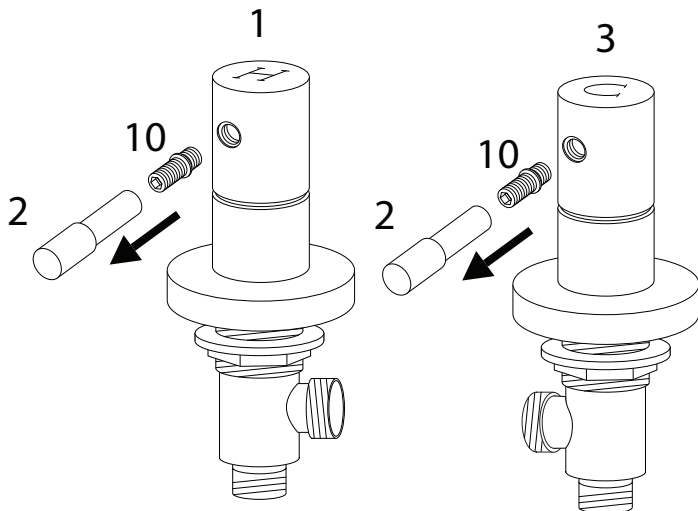
1



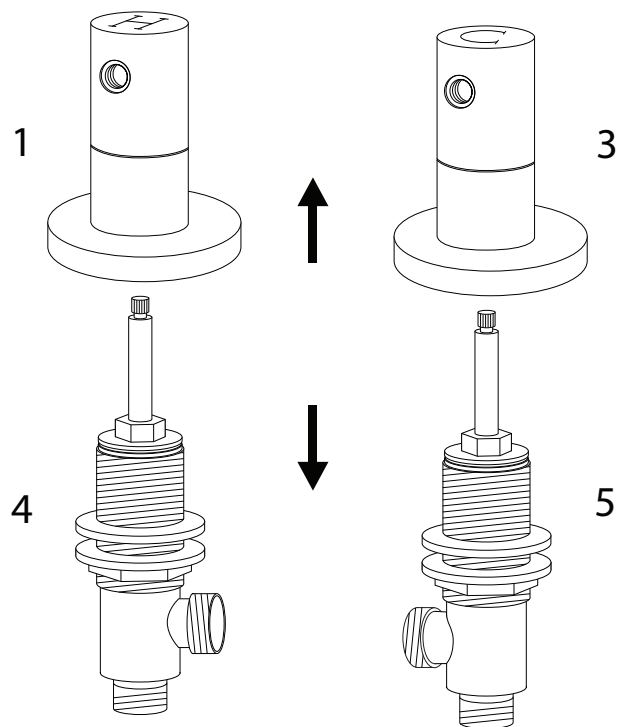


!

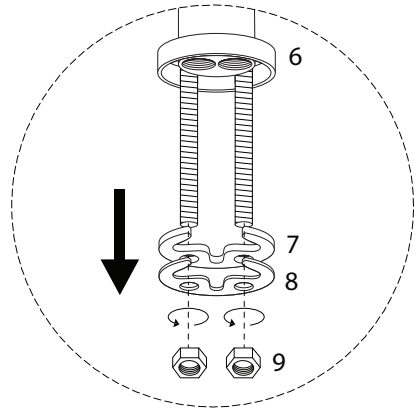
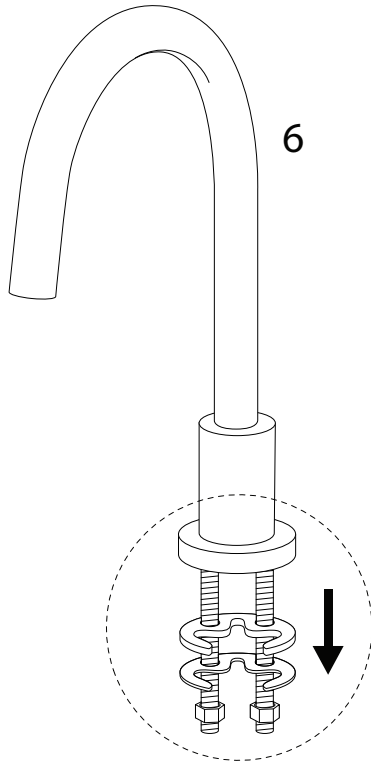
12  
x 1



!

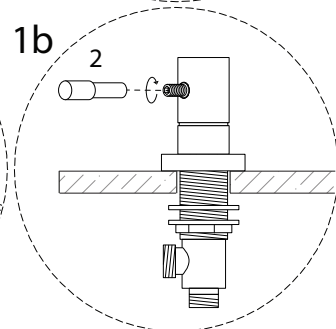
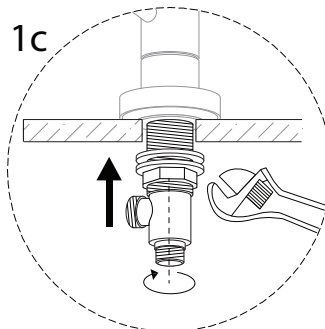
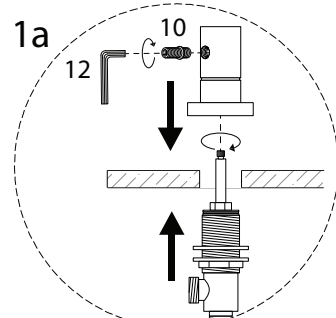
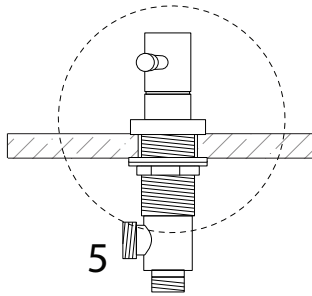
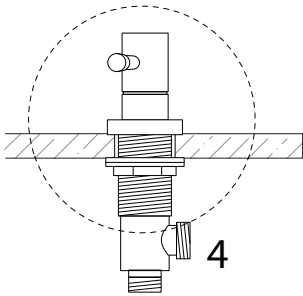


!



1

 x 1	 x 2	 x 1	 x 1	 x 1	 x 2	 x 1
---------	---------	---------	---------	---------	---------	---------

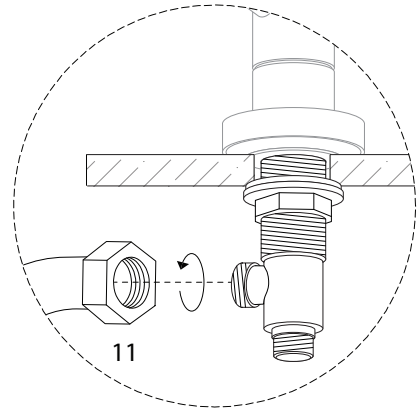
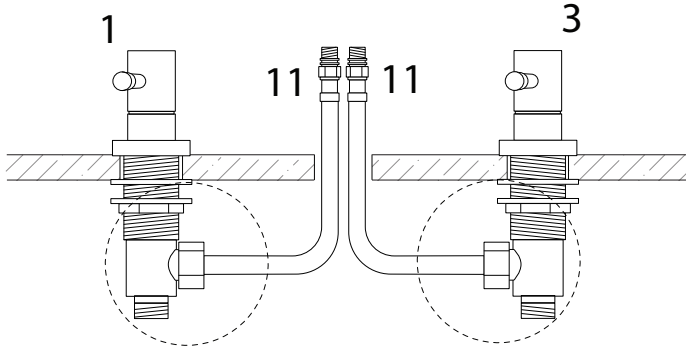


2

11

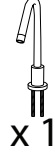


x 2

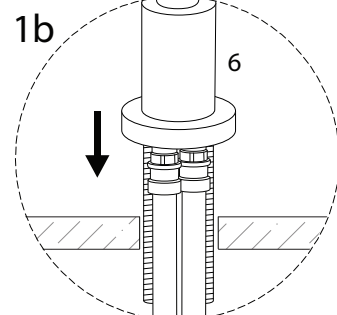
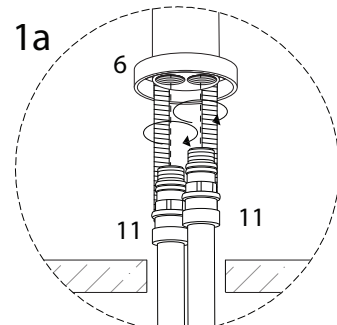
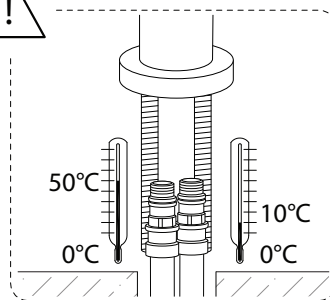
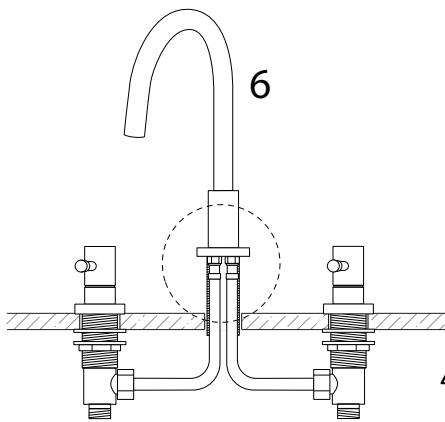


3

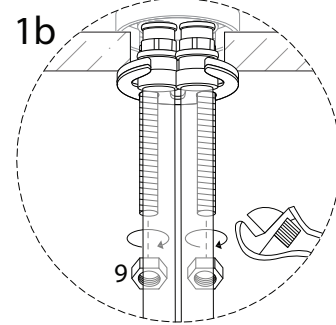
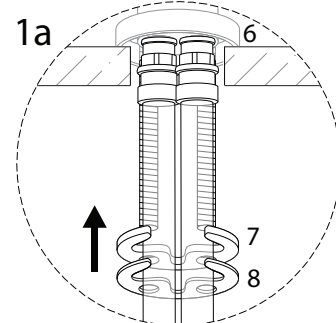
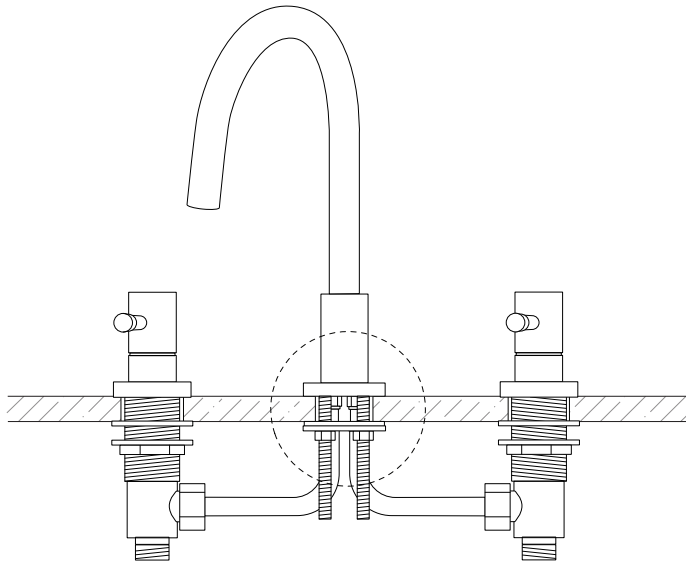
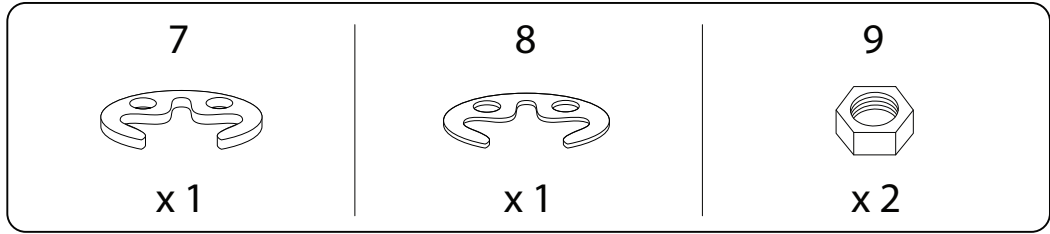
6



x 1



4



!

