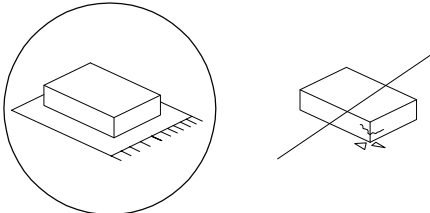
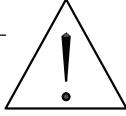

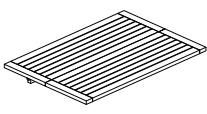
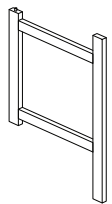
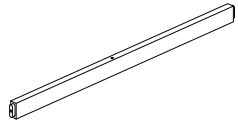
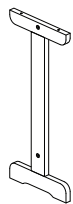
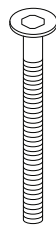
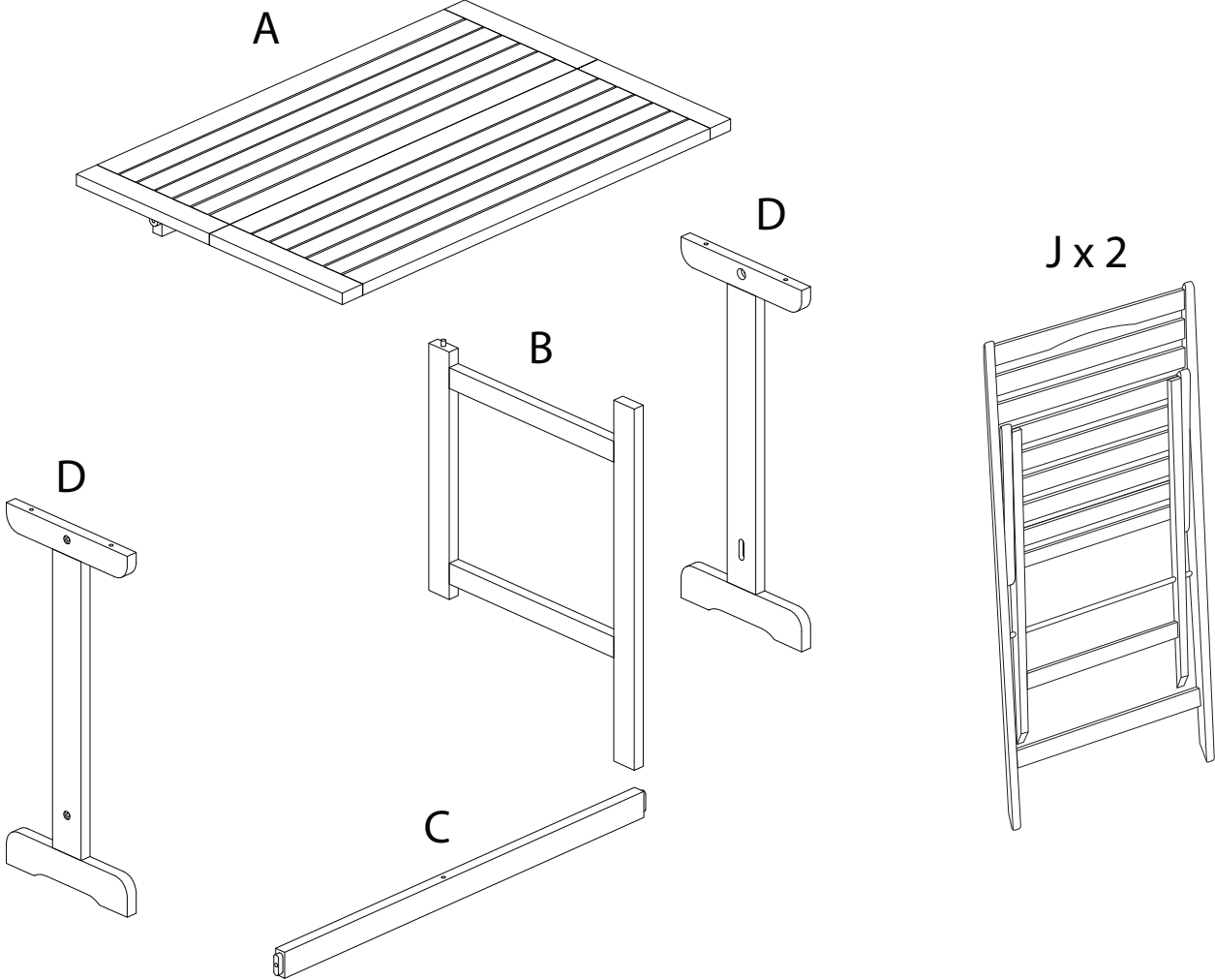
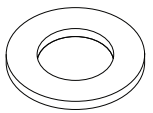
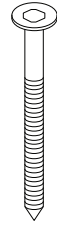
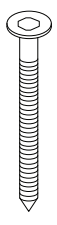
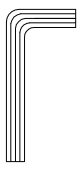
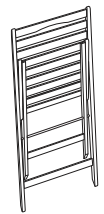
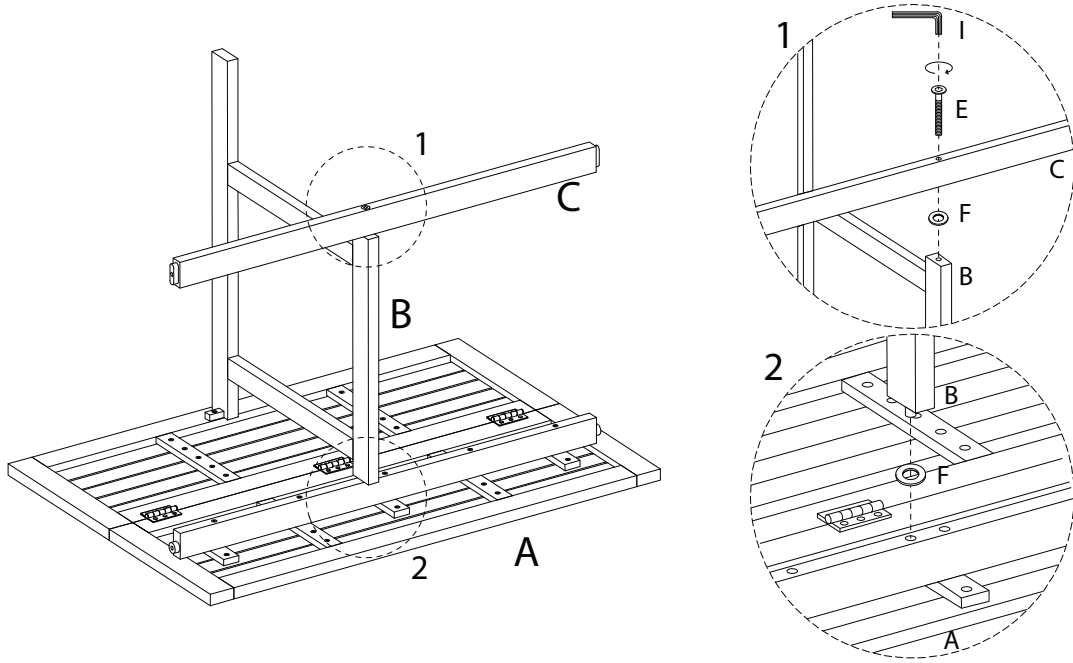
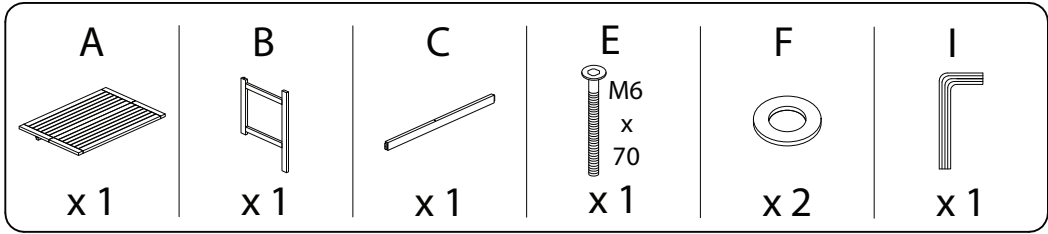

		<p>45'</p>
		
		<p>2</p>

A	B	C	D	E
				
x 1	x 1	x 1	x 2	M6 x 70 x 1

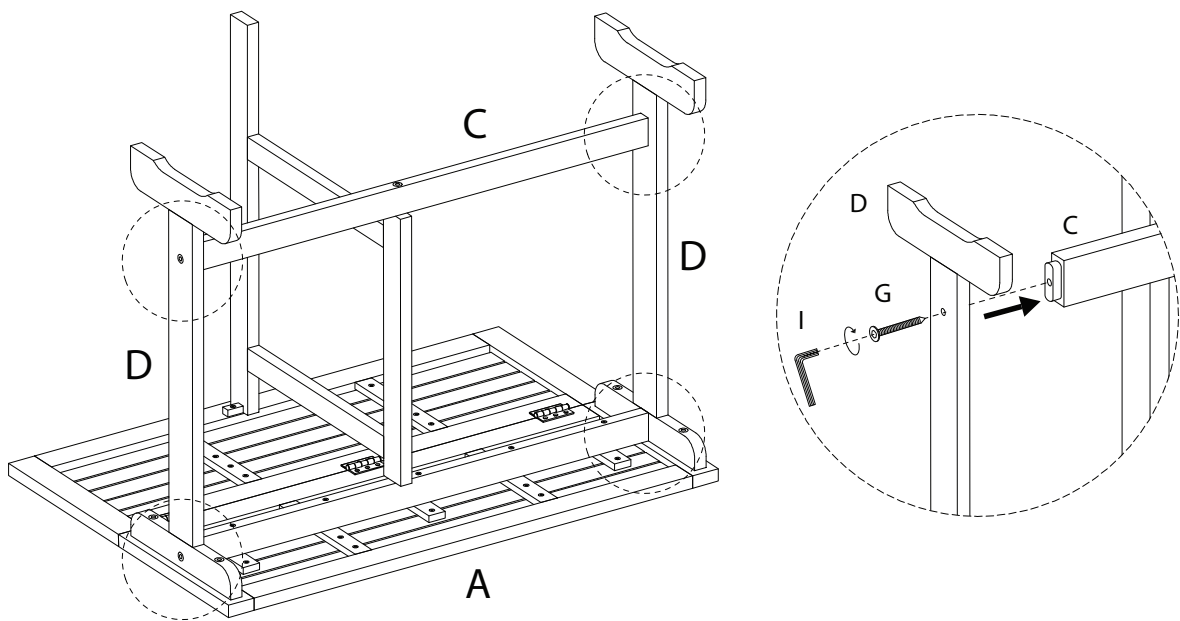
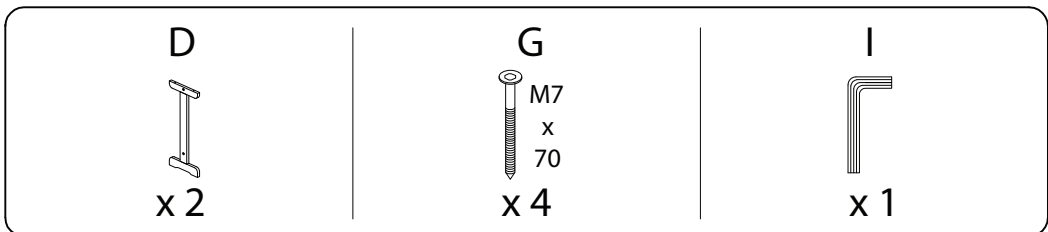


F	G	H	I	J
				
x 2	M7 x 70 x 4	M6 x 60 x 4	x 1	x 2

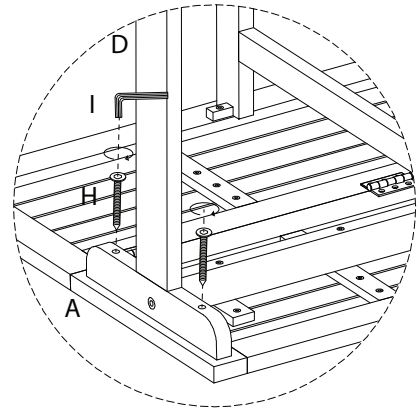
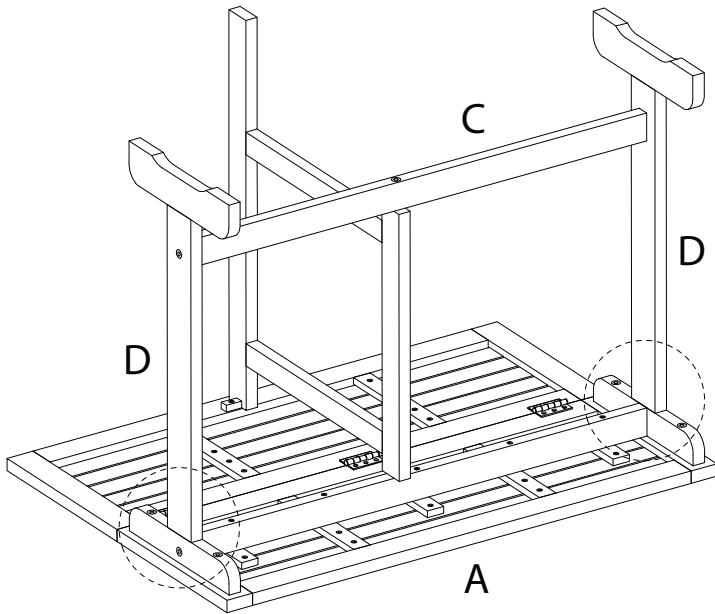
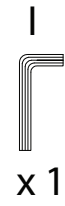
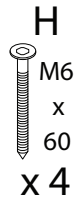
1



2



3



4 x 2

