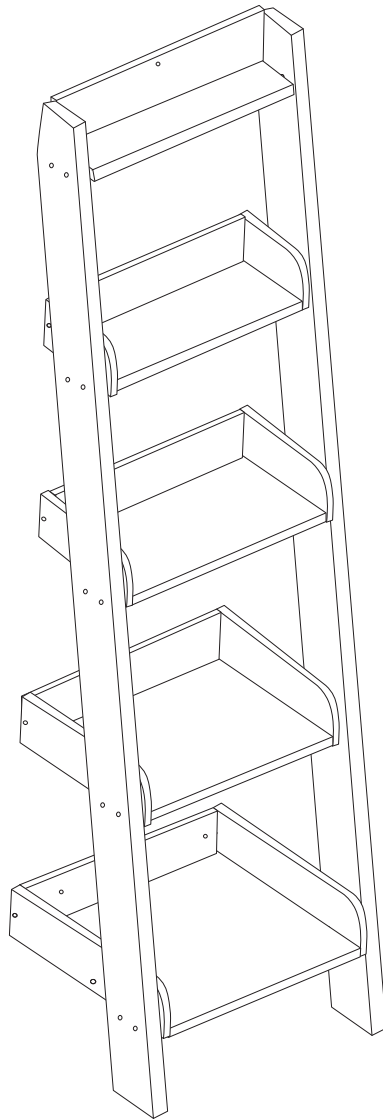
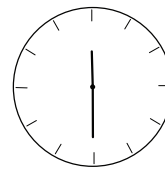
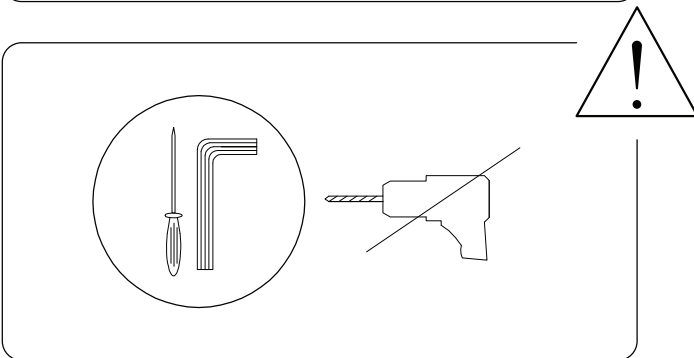
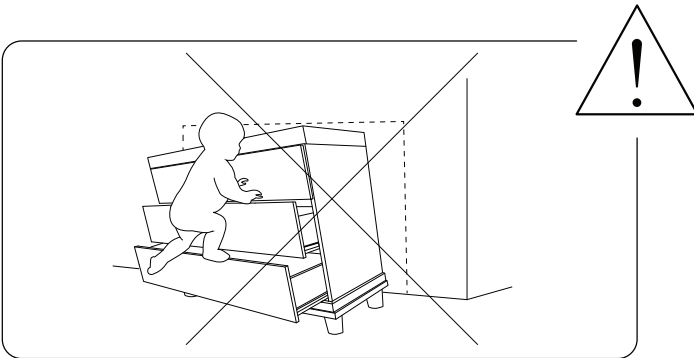
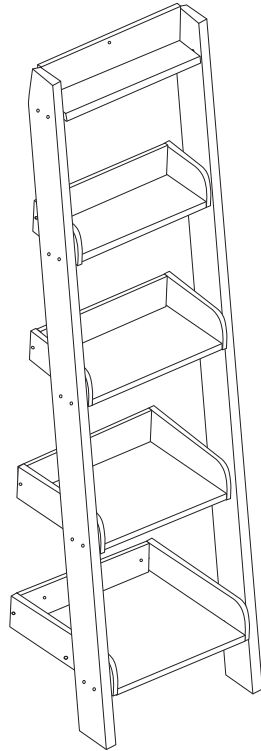
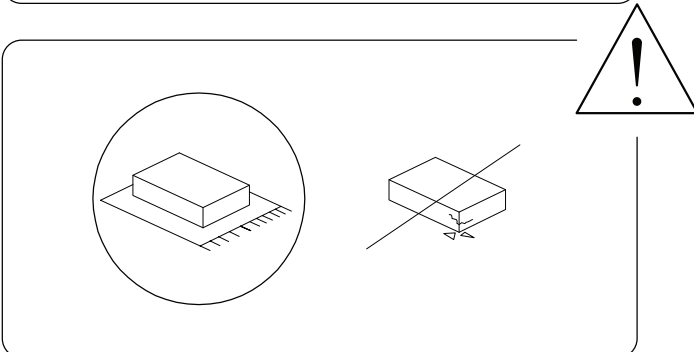


MOBILE DUO

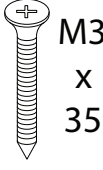
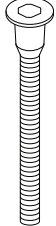



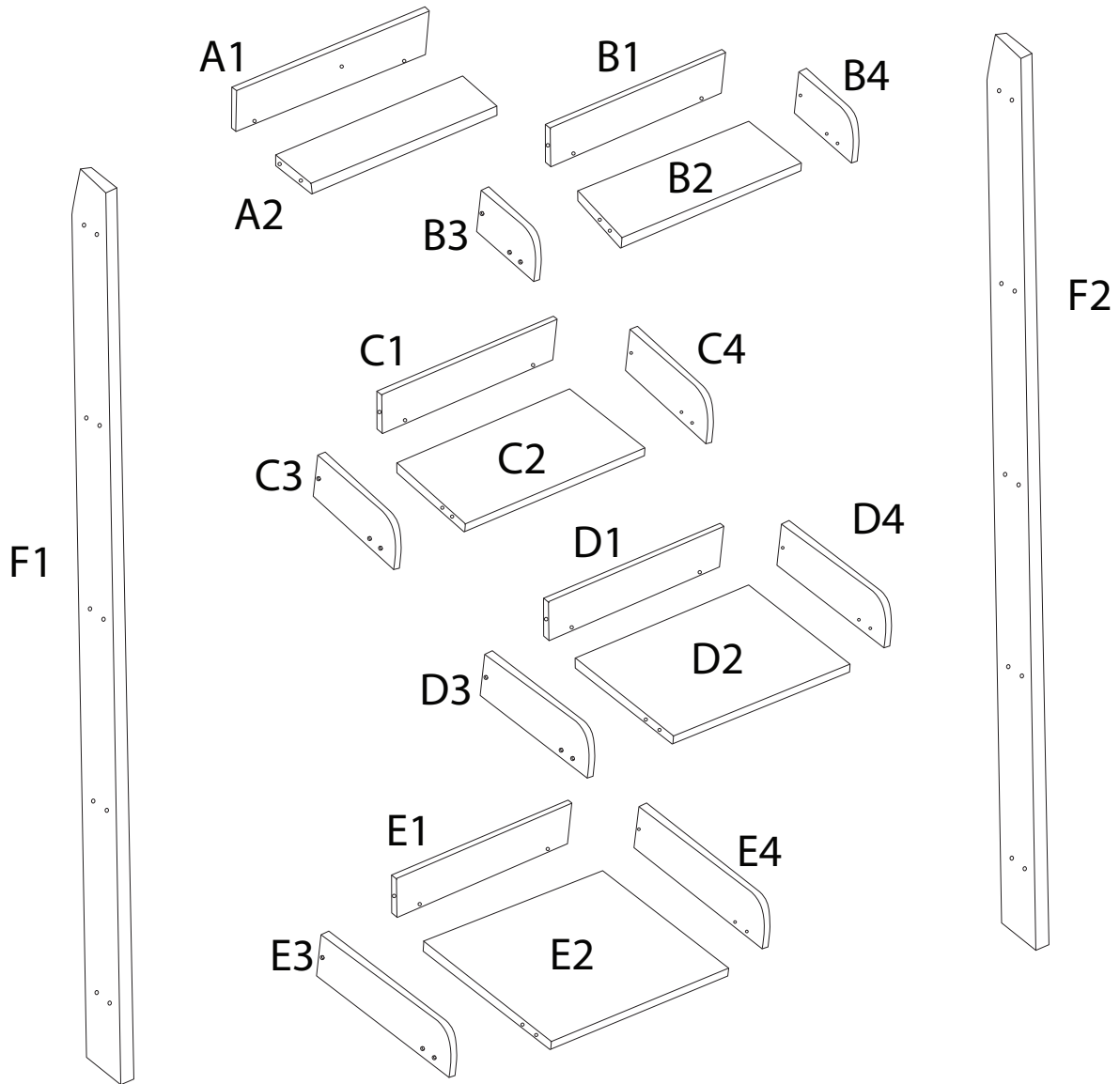


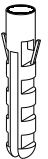
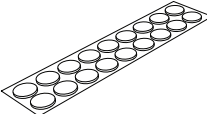
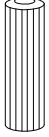
30'



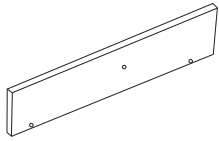
1

<p>G</p>  <p>M3 x 35</p> <p>x 23</p>	<p>H</p>  <p>M6.8 x 70</p> <p>x 12</p>	<p>I</p>  <p>x 1</p>
--	--	--



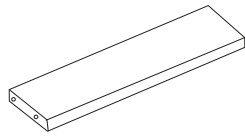
<p>J</p>  <p>x 3</p>	<p>K</p>  <p>x 12</p>	<p>L</p>  <p>x 8</p>
--	---	--

A1



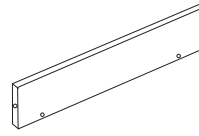
x 1

A2



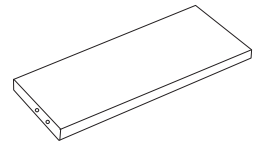
x 1

B1



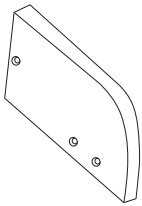
x 1

B2



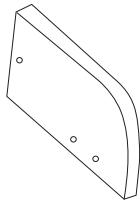
x 1

B3



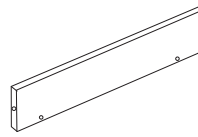
x 1

B4



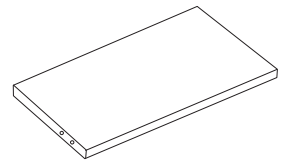
x 1

C1



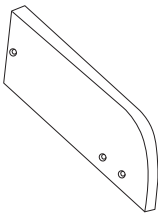
x 1

C2



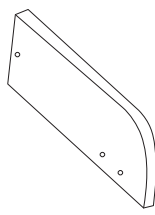
x 1

C3



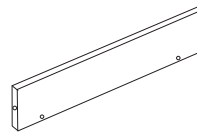
x 1

C4



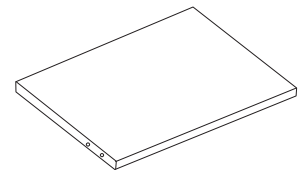
x 1

D1



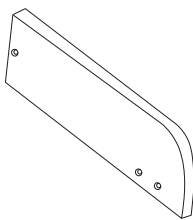
x 1

D2



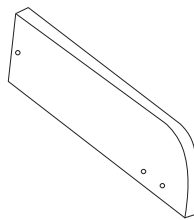
x 1

D3



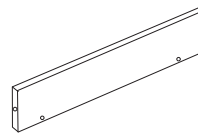
x 1

D4



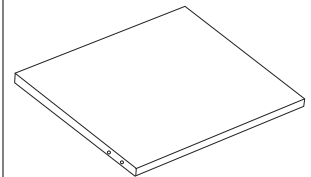
x 1

E1



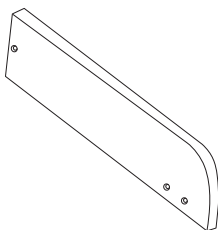
x 1

E2



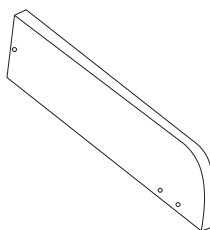
x 1

E3



x 1

E4



x 1

F1



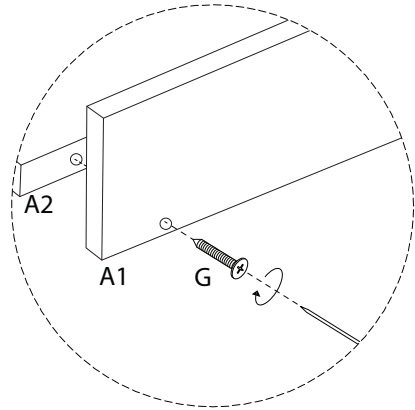
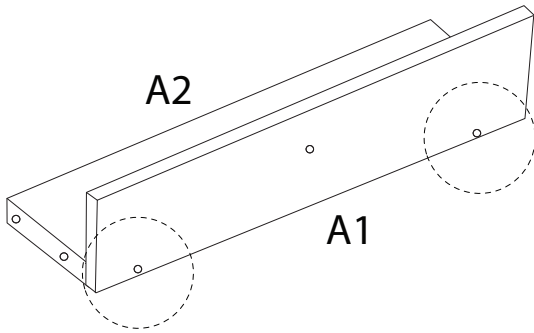
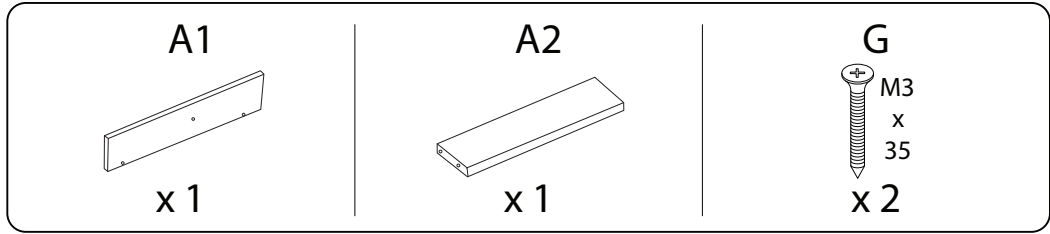
x 1

F2

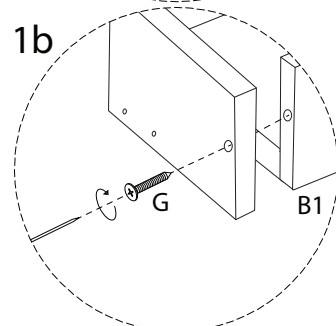
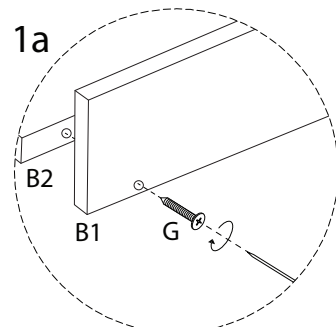
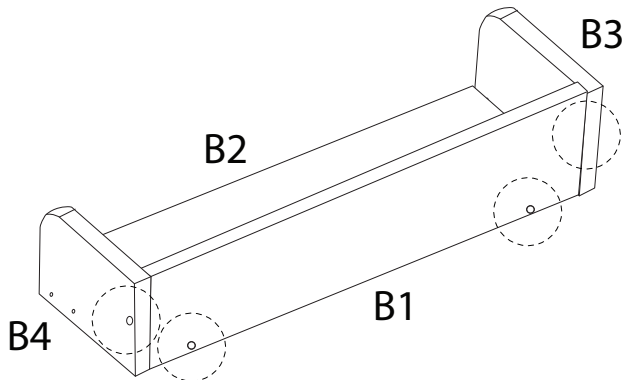
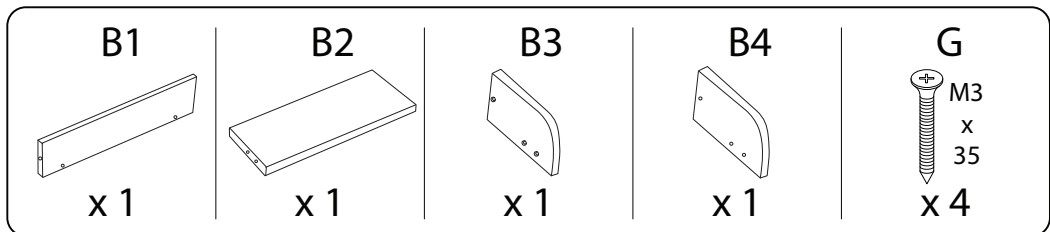


x 1

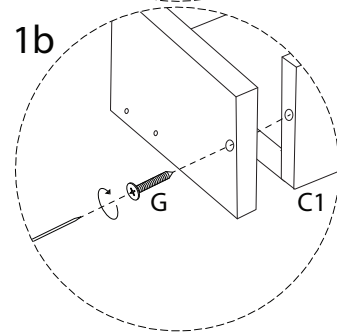
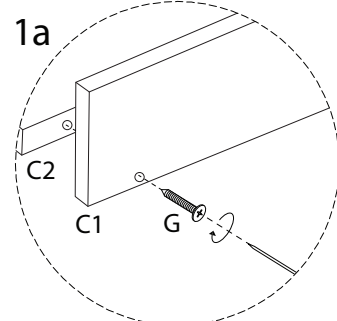
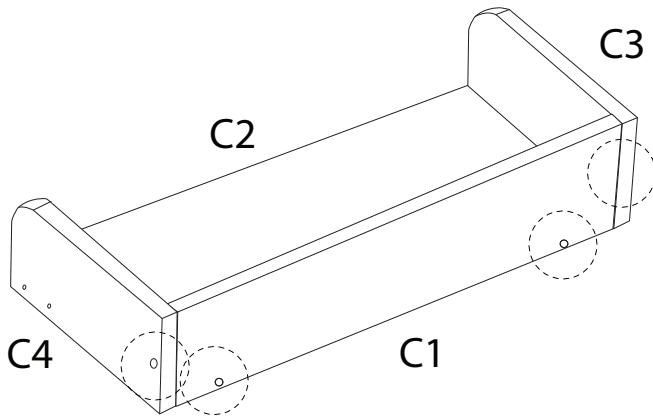
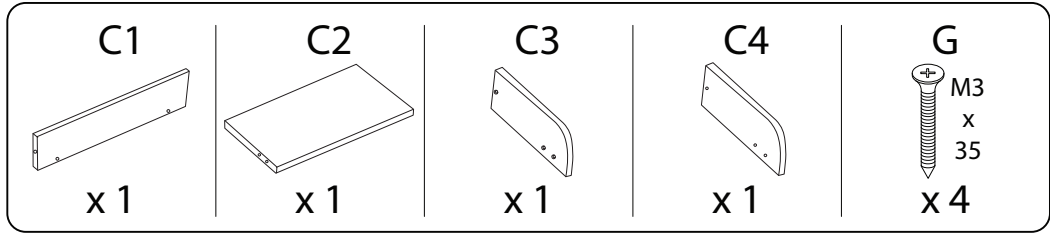
1



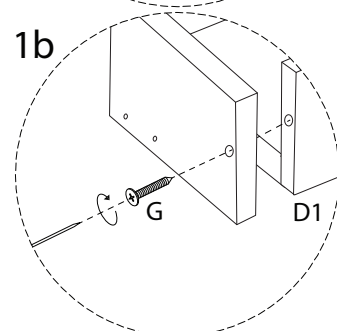
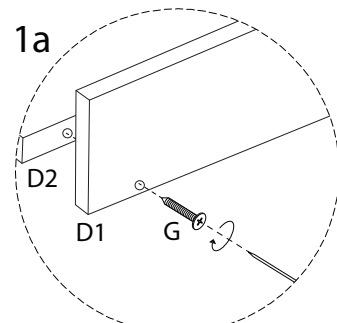
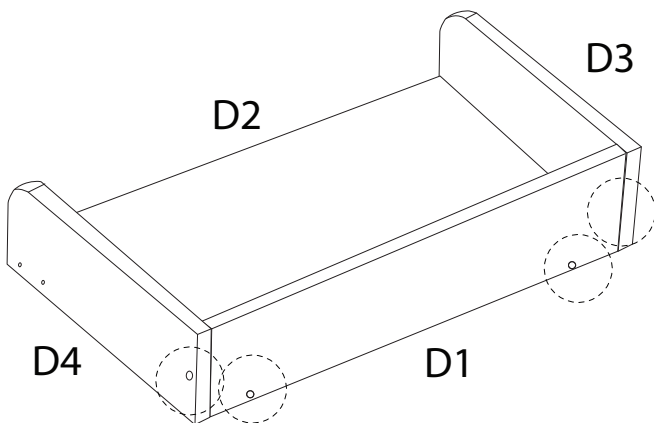
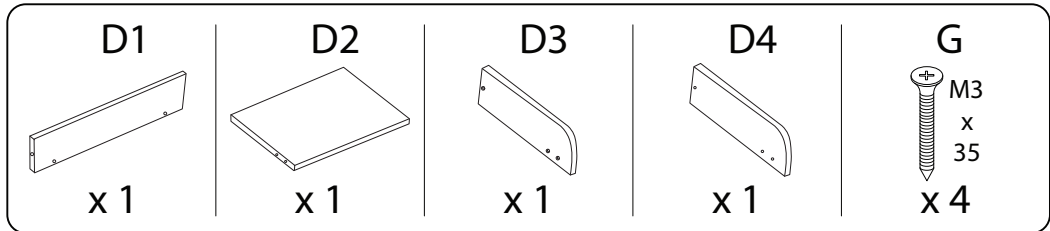
2



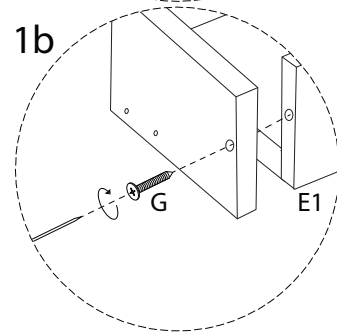
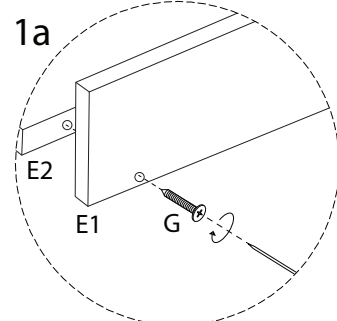
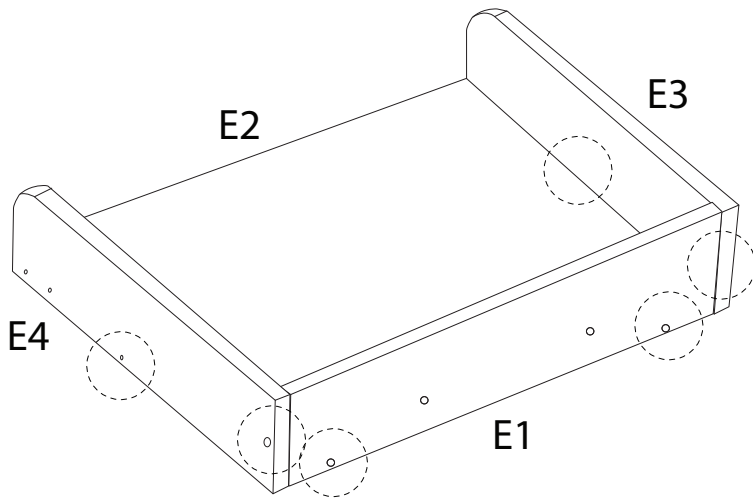
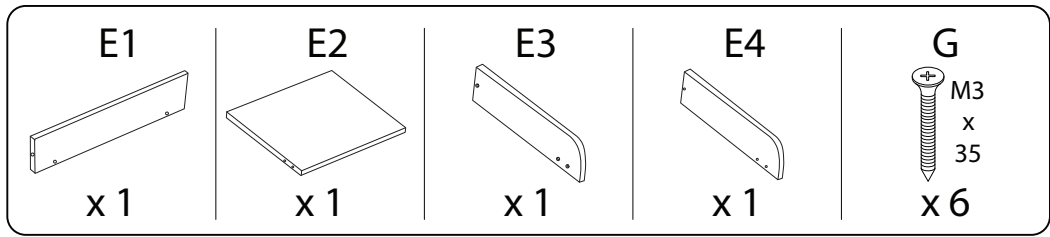
3



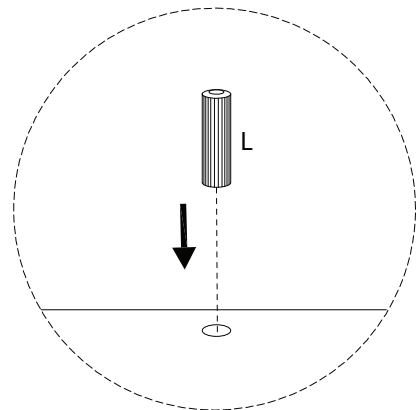
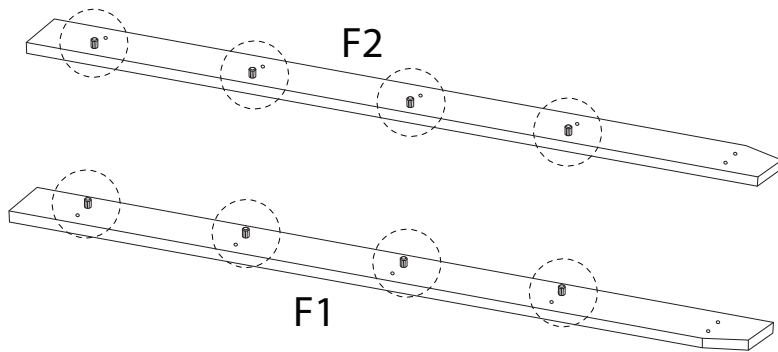
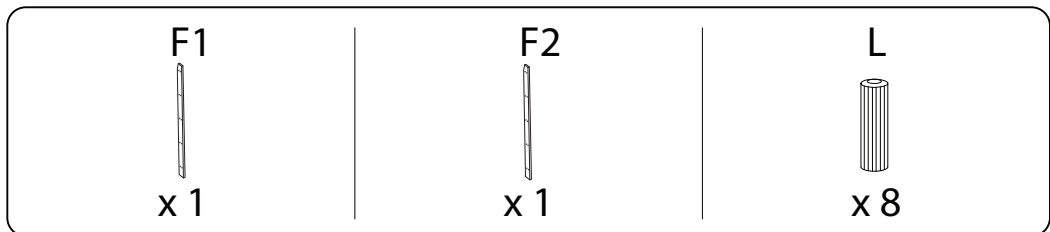
4



5



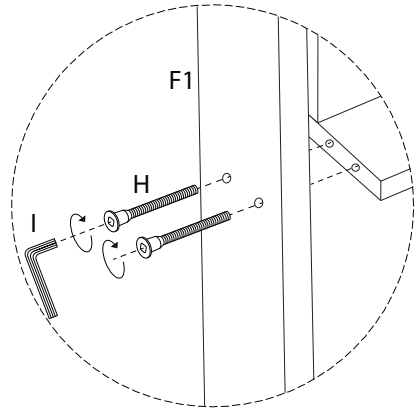
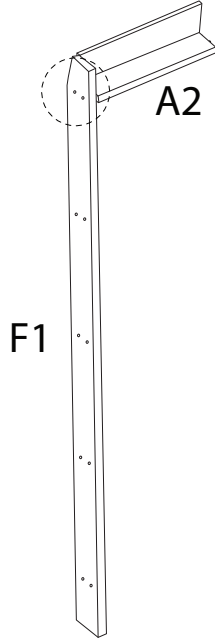
6



7

H
M6.8
x
70
x 2

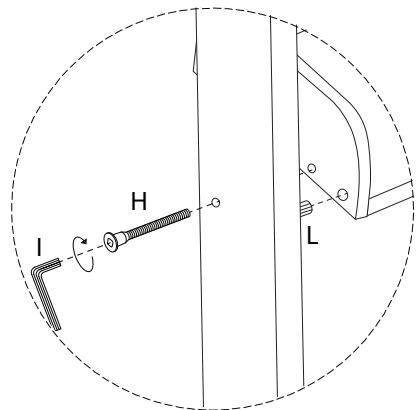
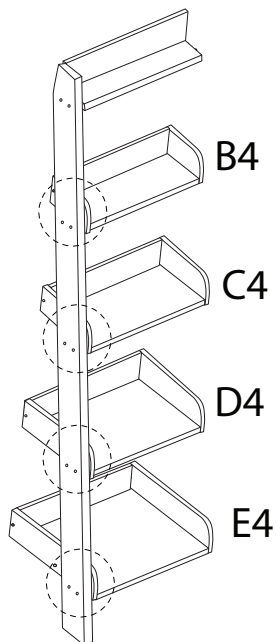
I
x 1



8

A
M6.8
x
70
x 4

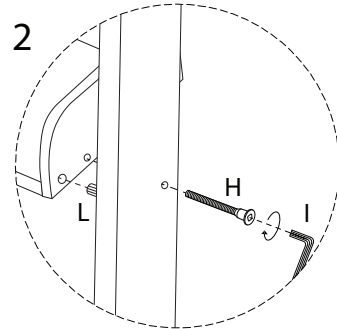
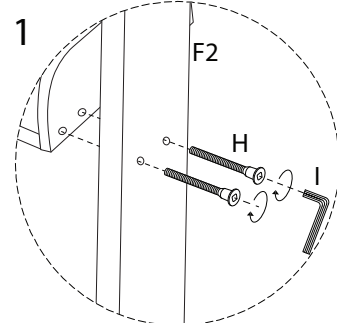
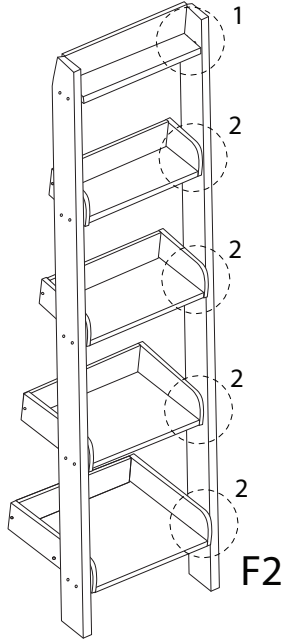
B
x 1



9

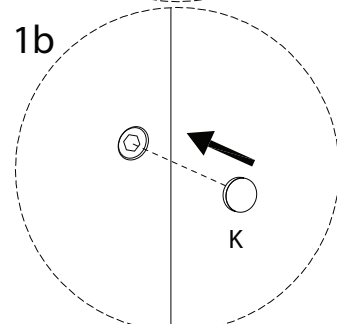
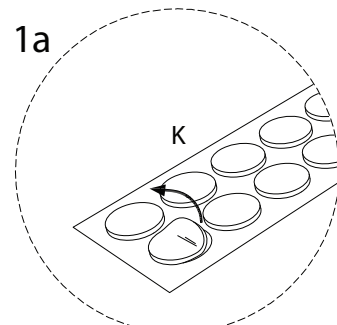
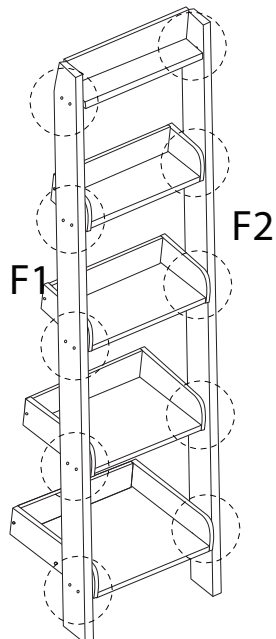
H
M6.8
x
70
x 6

I
x 1



10

K
x 12



11

