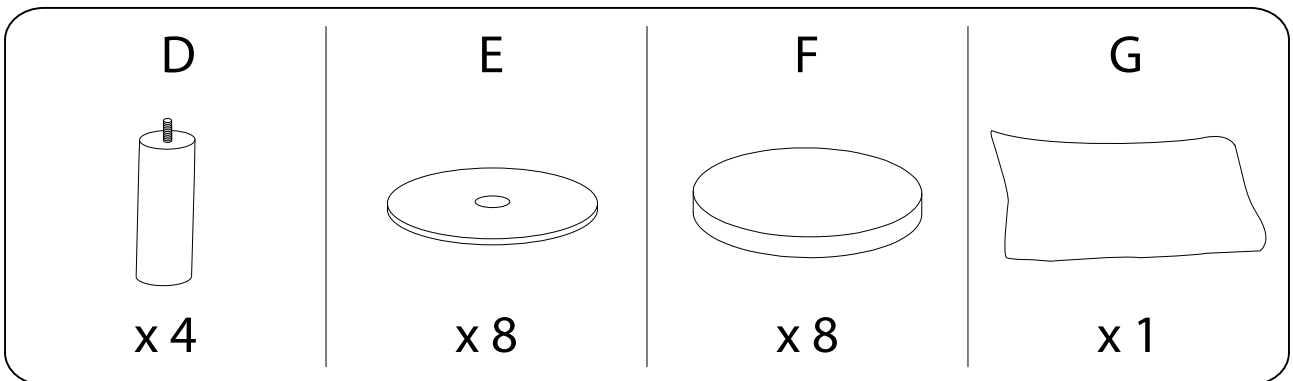
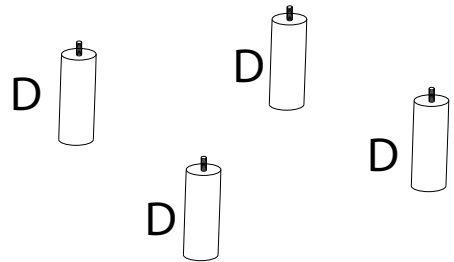
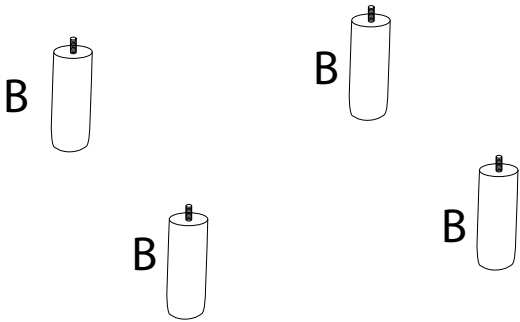
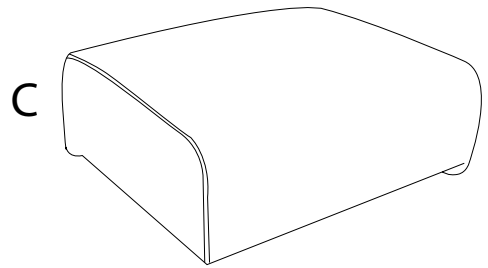
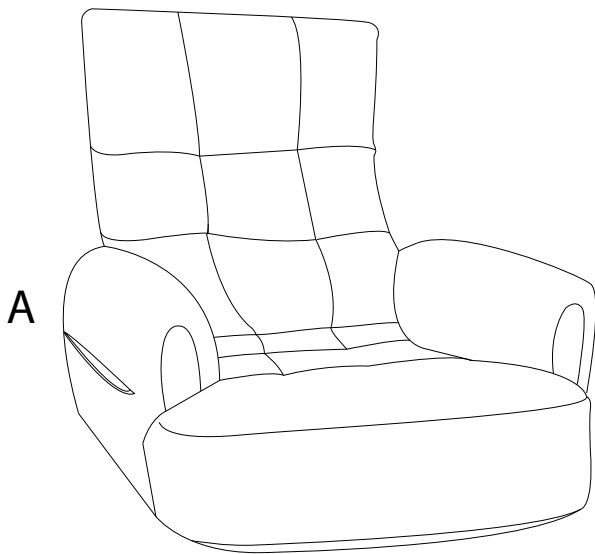
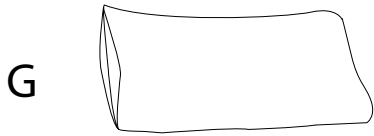
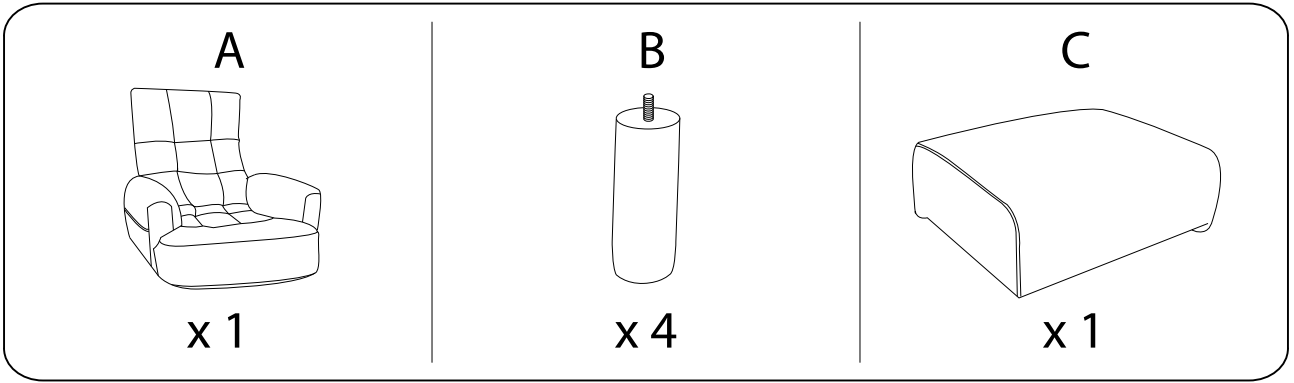


Warning icons for the first step: a hand holding a drill with a diagonal slash through it, a clock face, and a warning triangle with an exclamation mark.

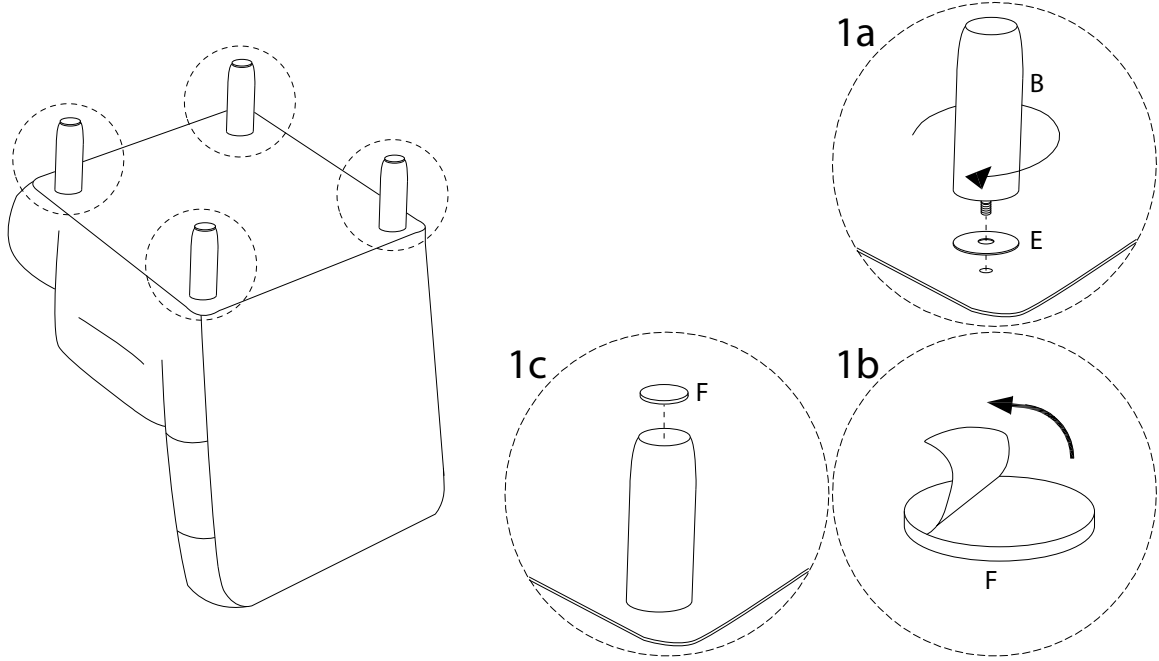
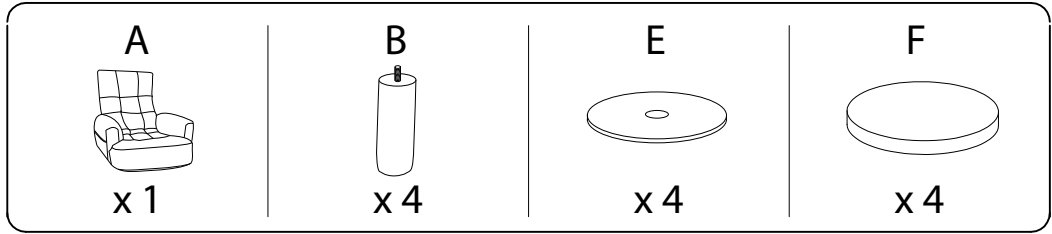
20'

Warning icons for the second step: a block of material on a surface with a diagonal slash through it, a stick figure, and a warning triangle with an exclamation mark.

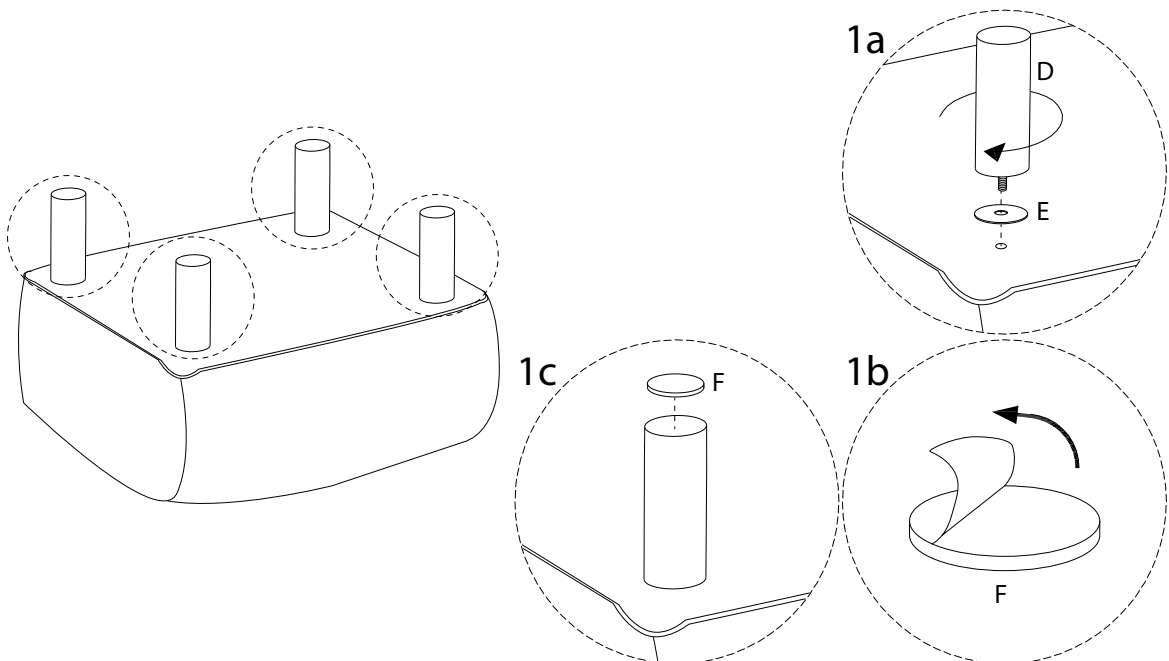
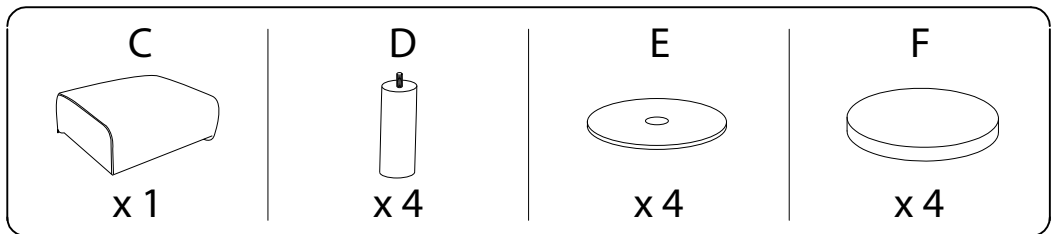
1



1



2



3

G



x1

