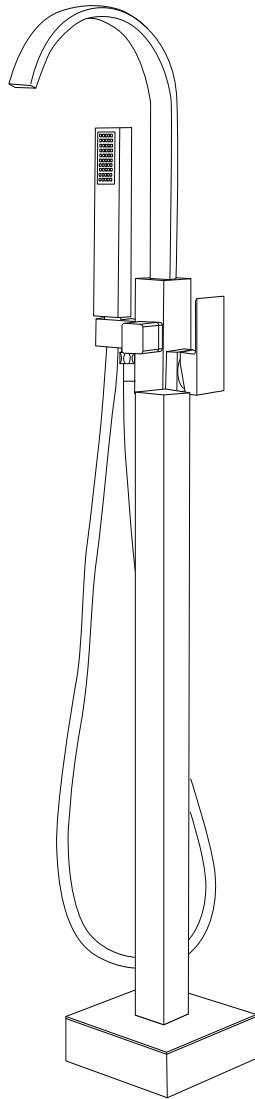
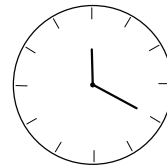
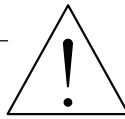
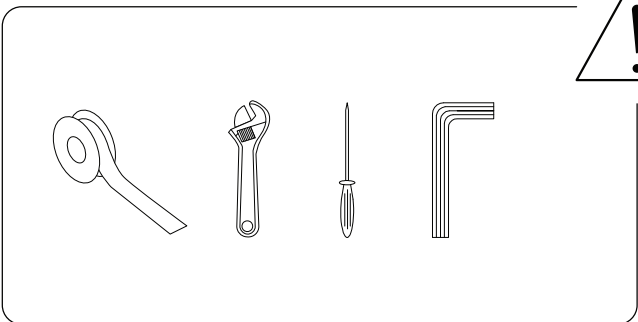
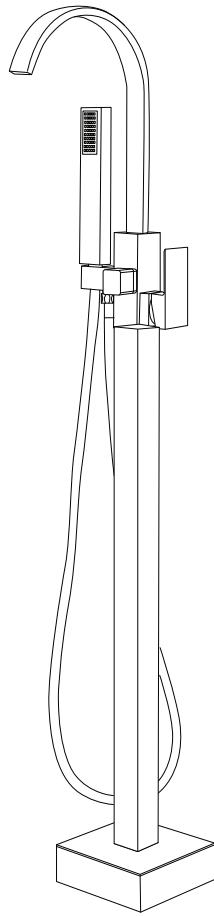
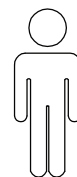
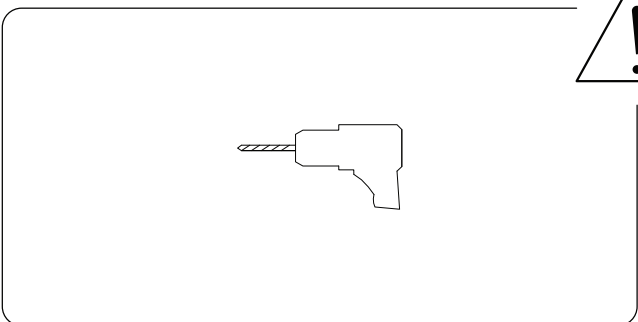


RIBBON

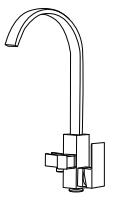

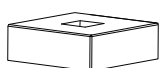




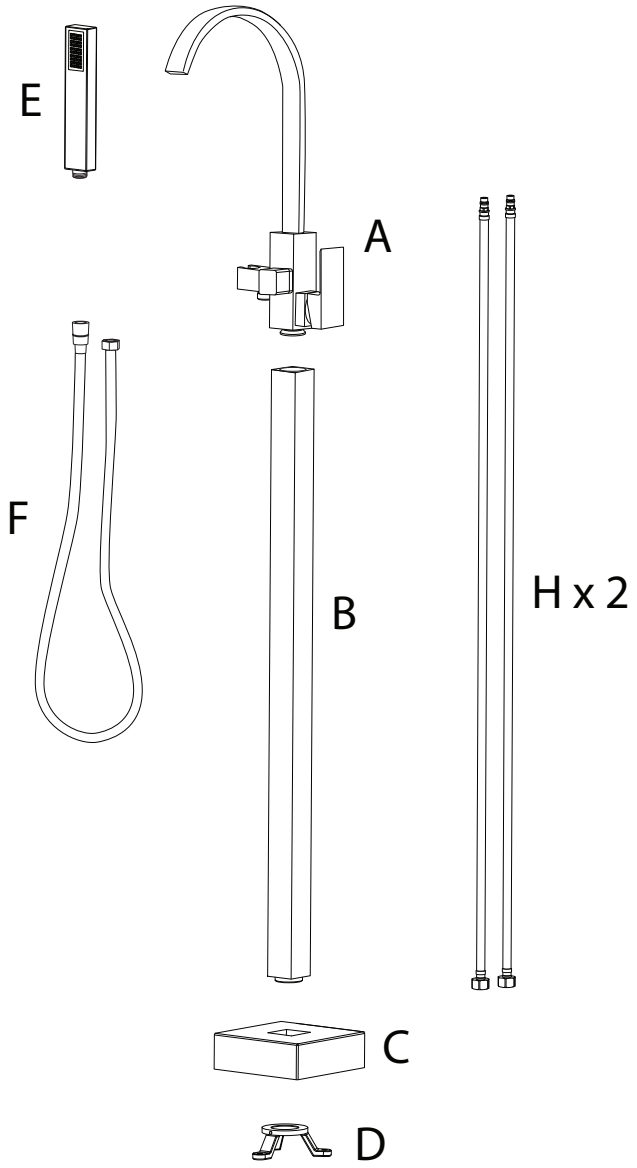


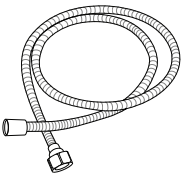

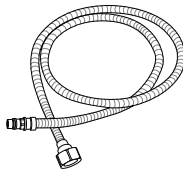
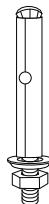

20'



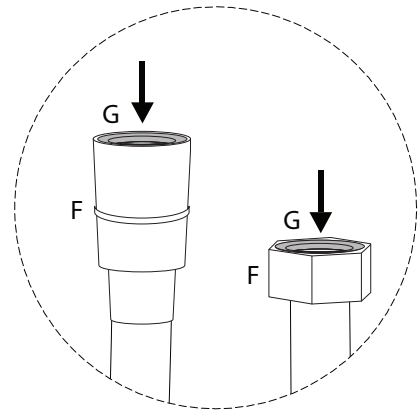
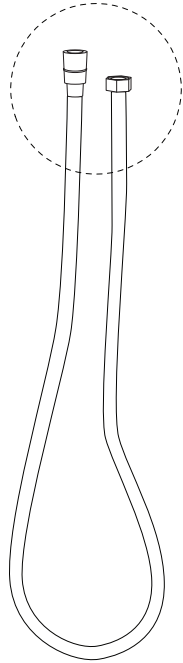
1

A	B	C	D	E
				
x 1	x 1	x 1	x 1	x 1



F	G	H	I	J
				
x 1	x 2	x 2	x 3	x 1

!



1

B

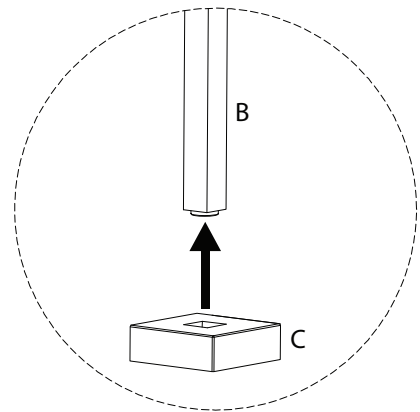
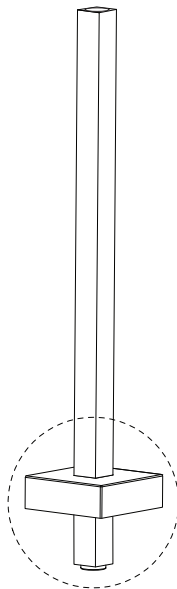


x 1

C



x 1



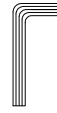
2

D

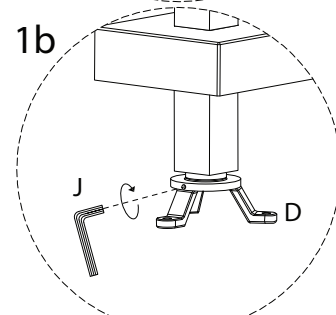
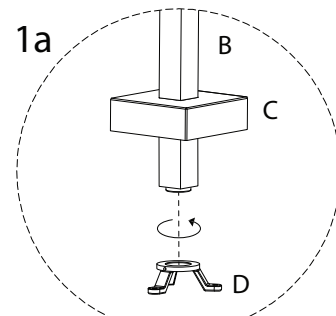
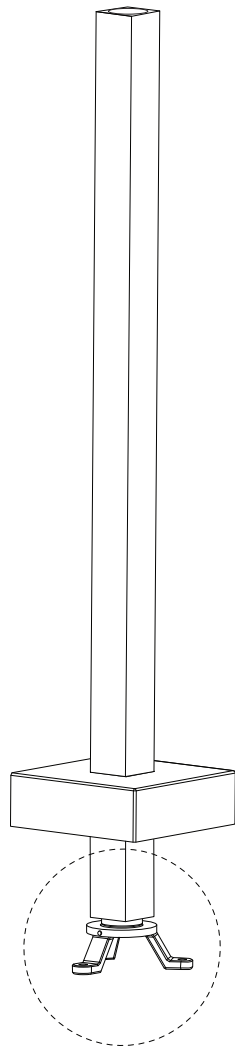


x 1

J



x 1

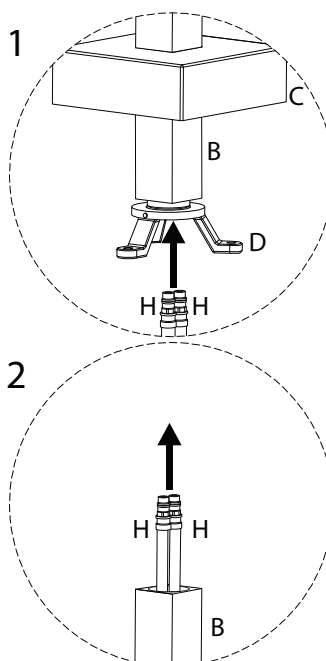
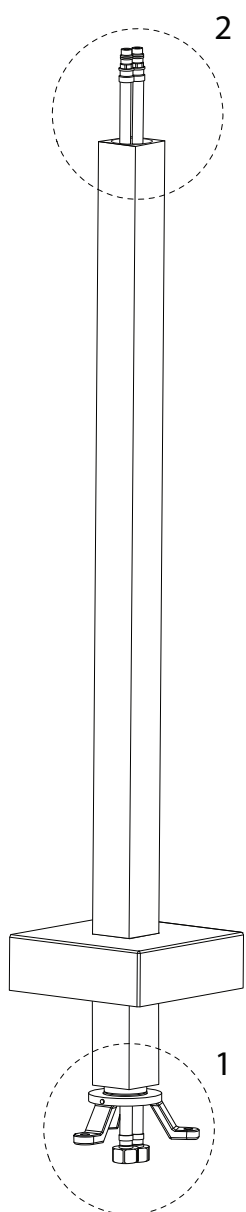


3

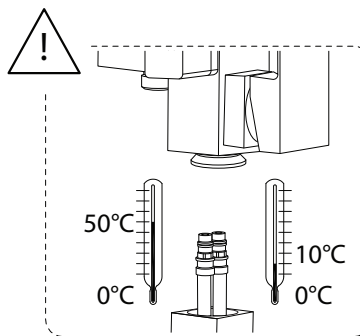
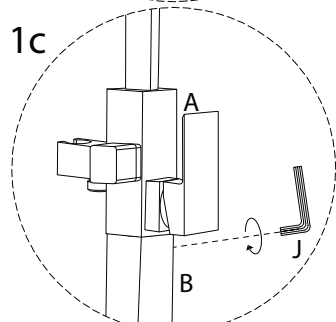
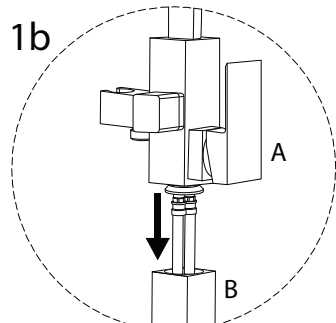
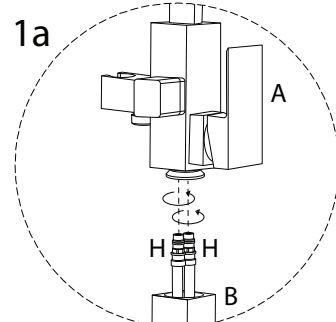
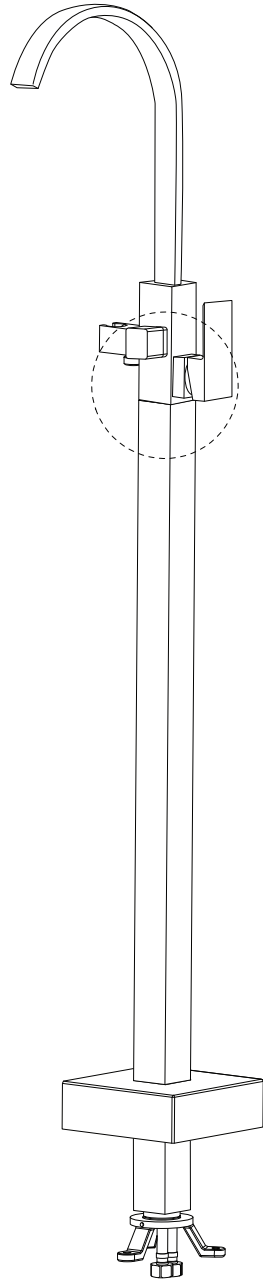
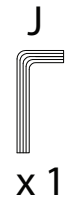
H



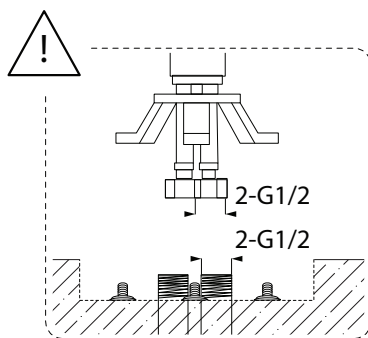
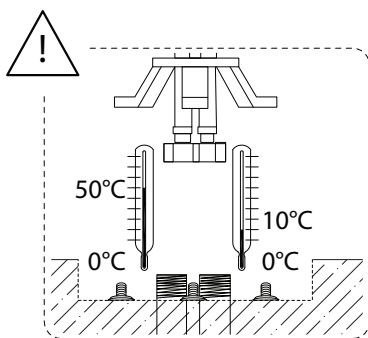
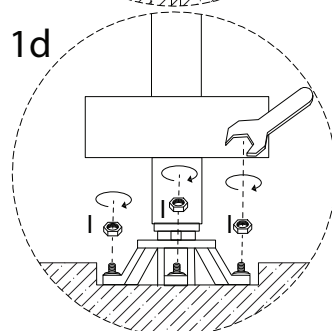
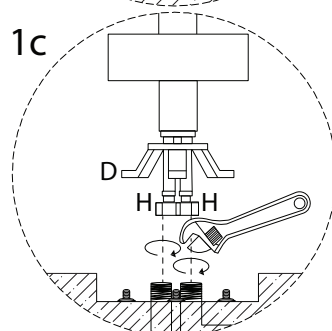
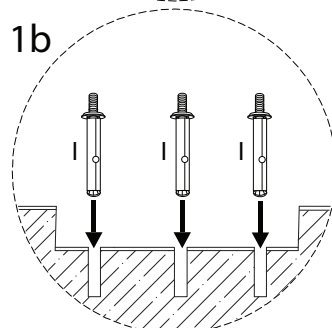
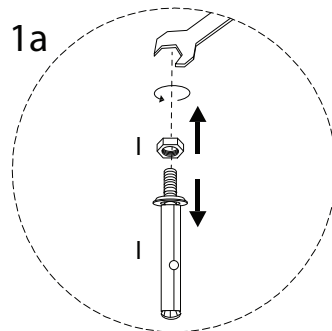
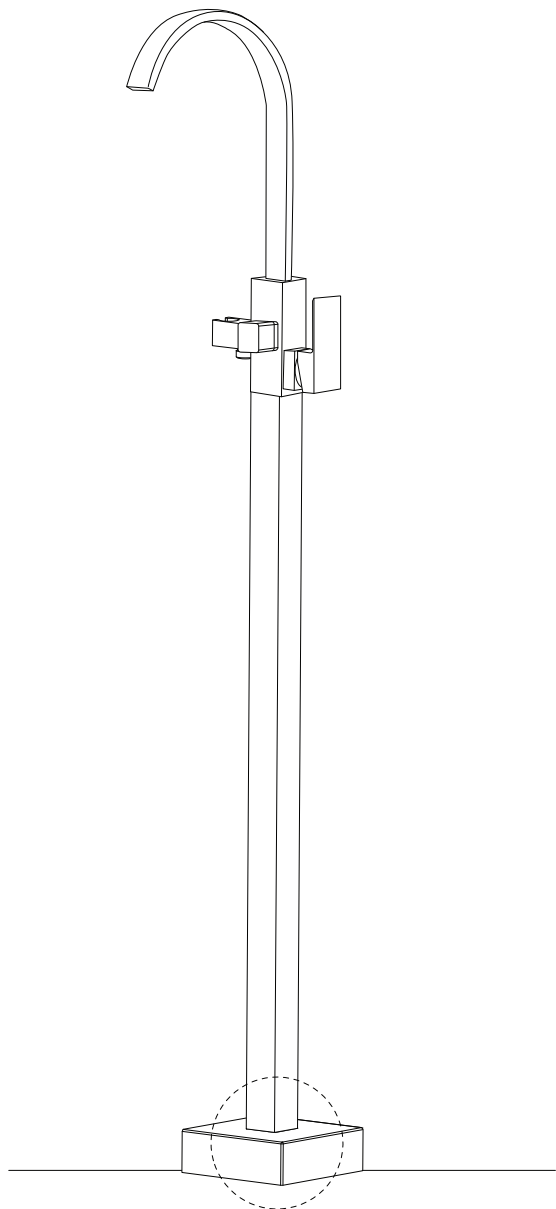
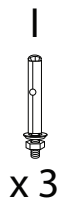
x 2



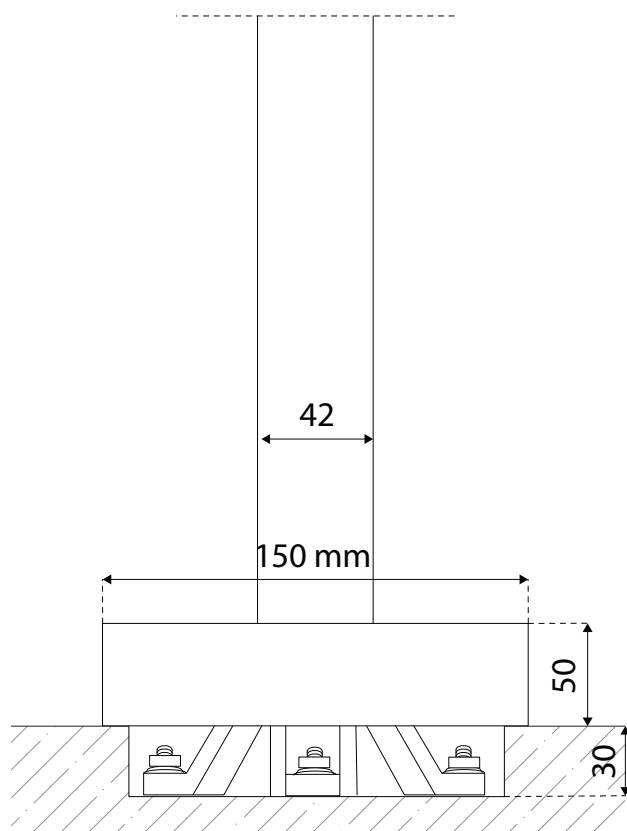
4



5

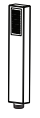


!



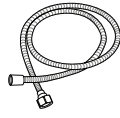
6

E



x 1

F



x 1

G



x 2

