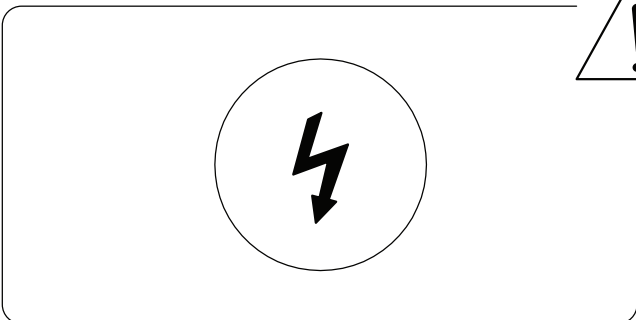


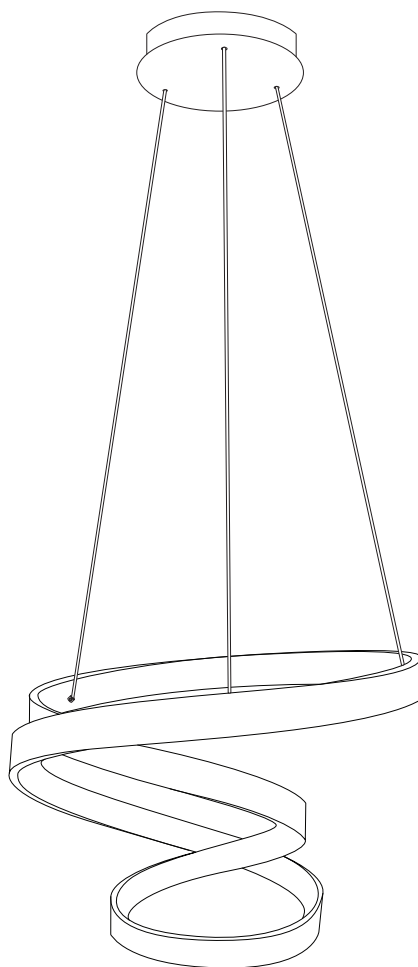
20'



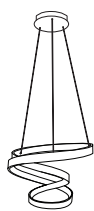
1

1/5

A

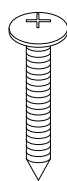


A



x 1

B



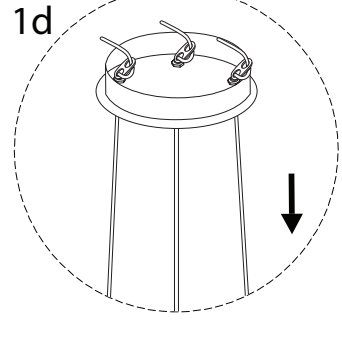
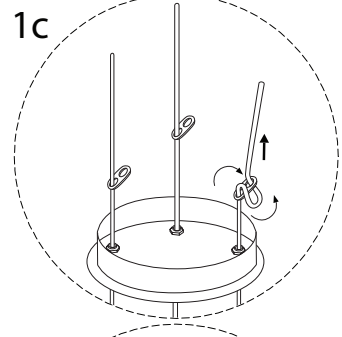
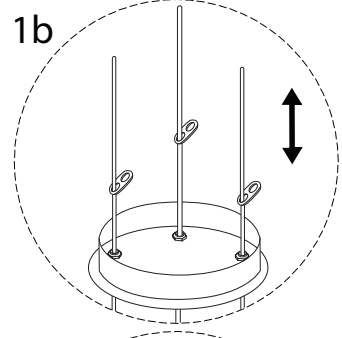
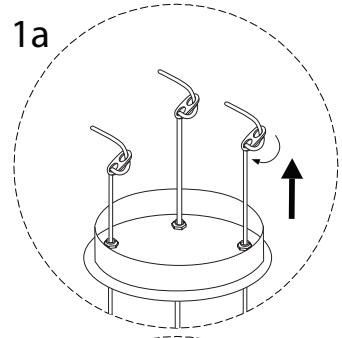
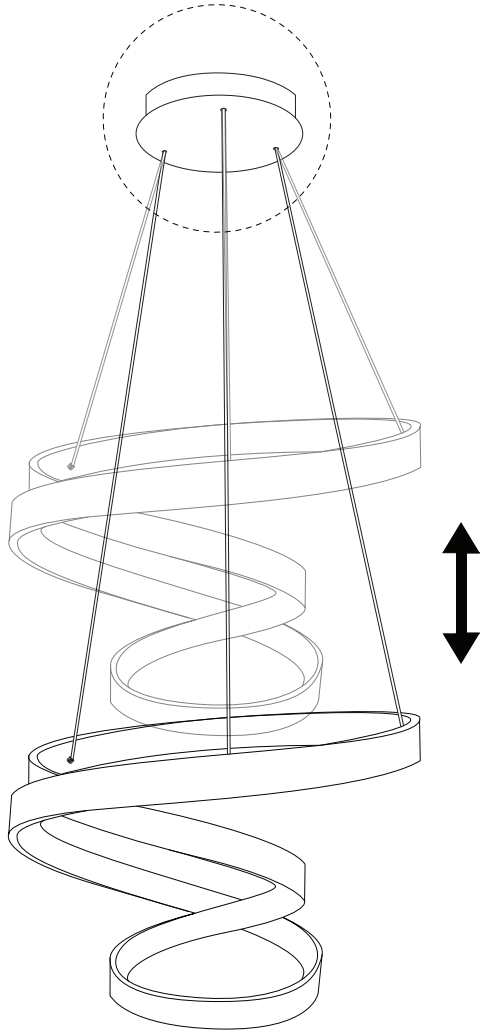
x 2

C

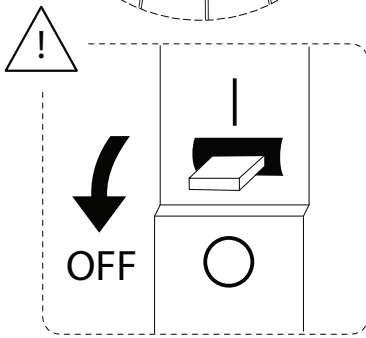
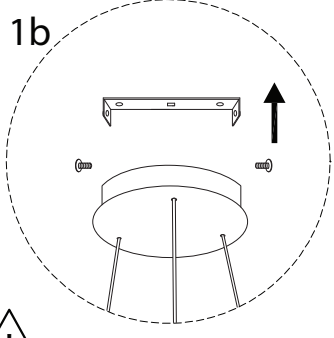
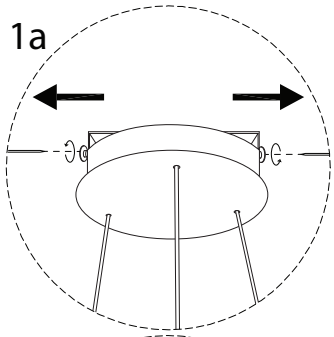
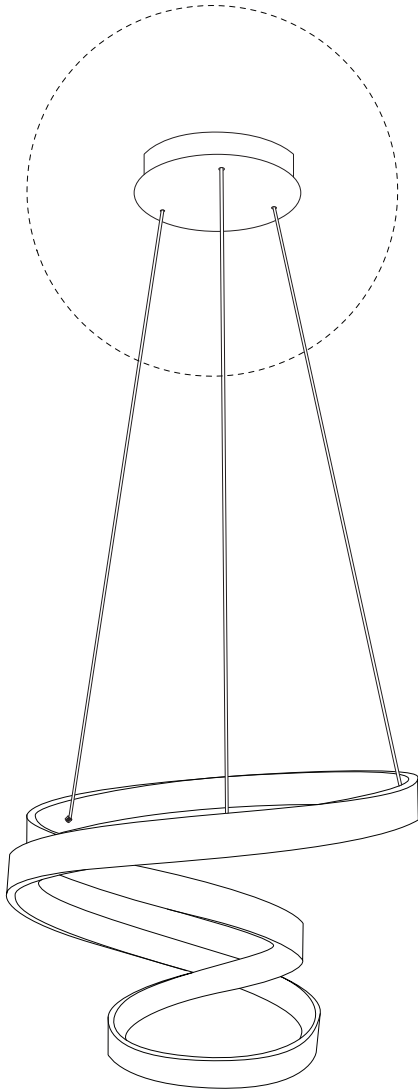


x 2

!



1



2

