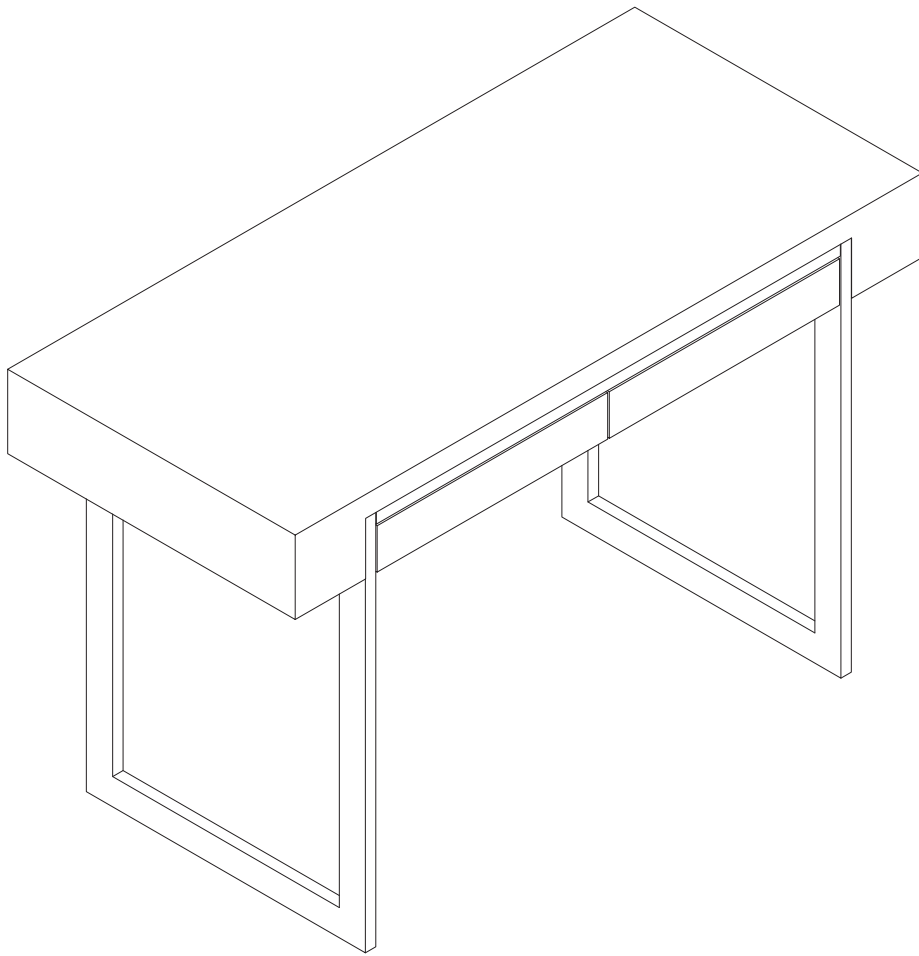
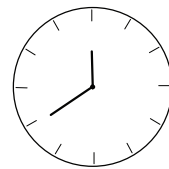
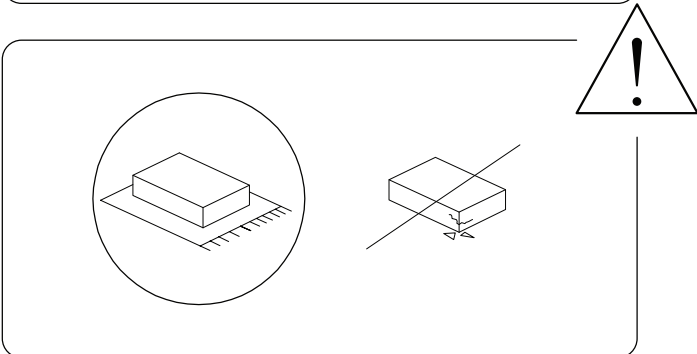
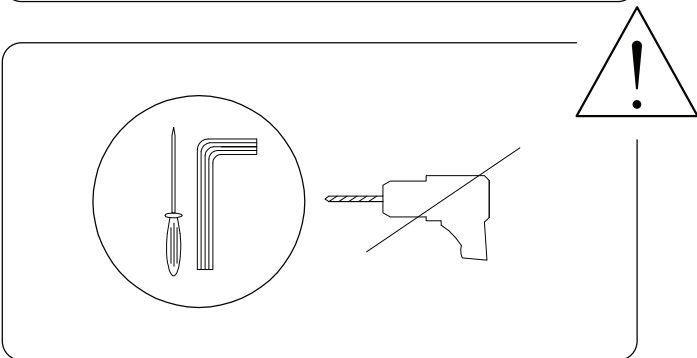
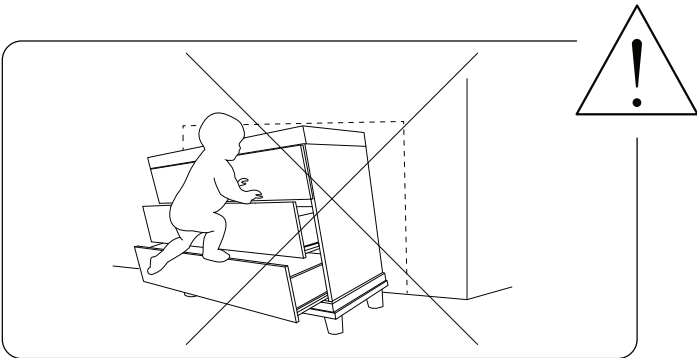
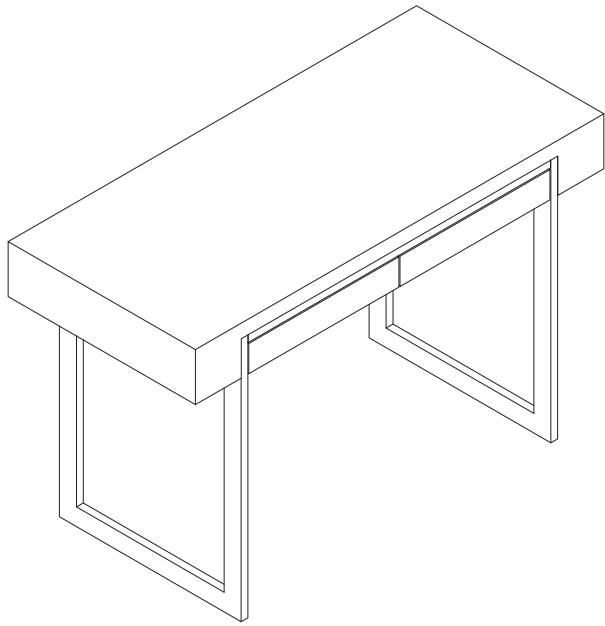
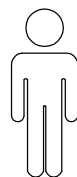


VIDA

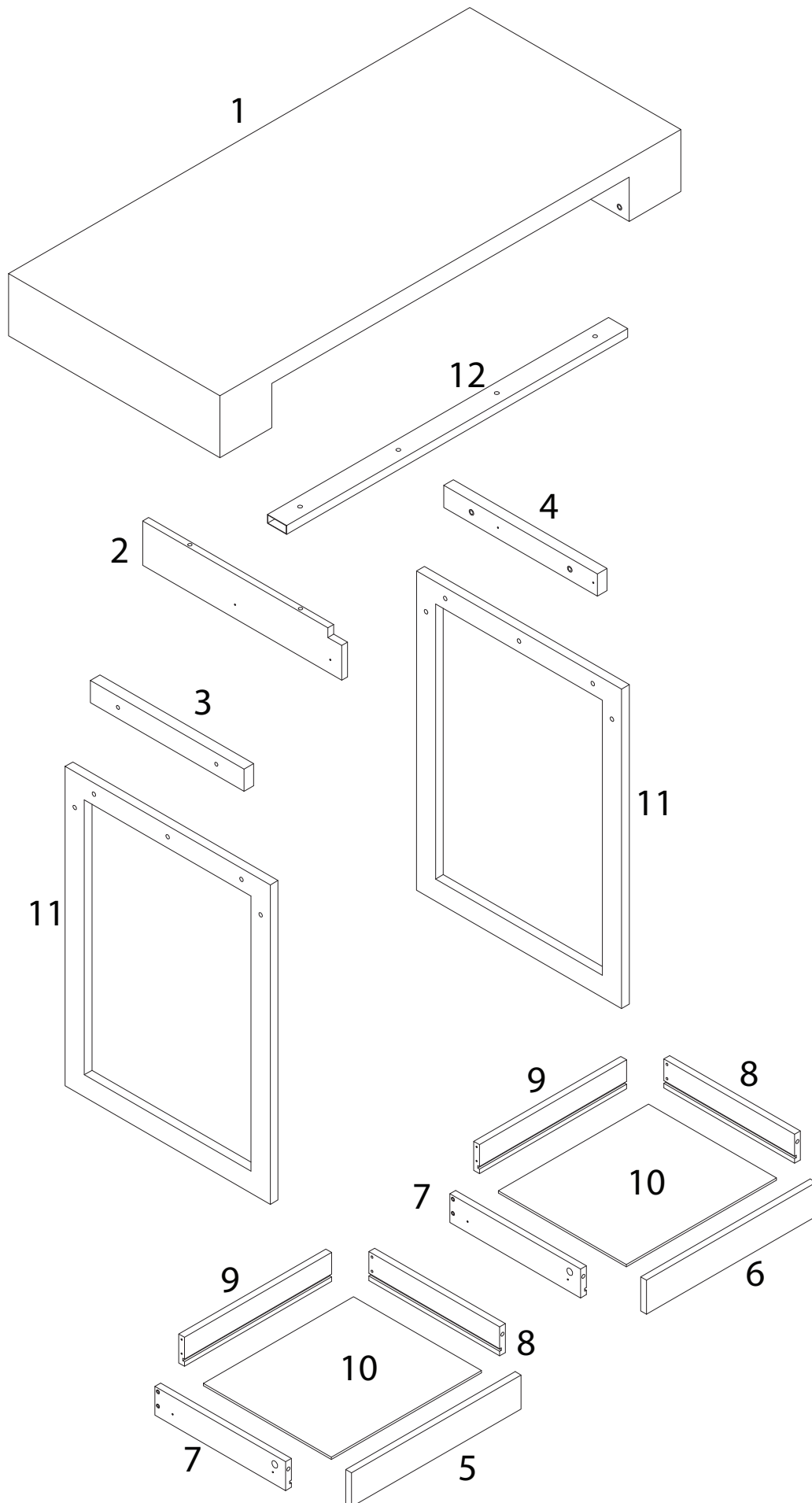




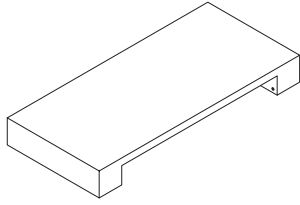
40'



2

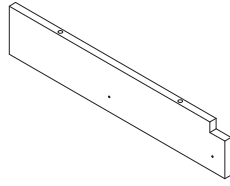


1



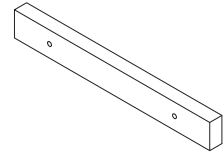
x 1

2



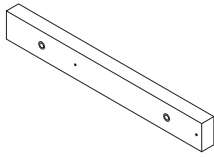
x 1

3



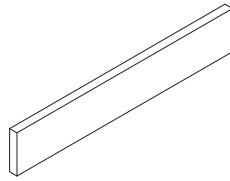
x 1

4



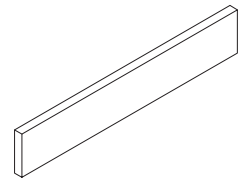
x 1

5



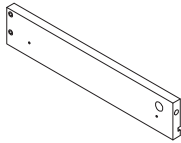
x 1

6



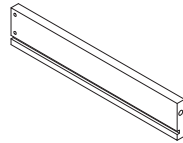
x 1

7



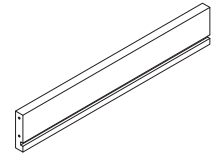
x 2

8



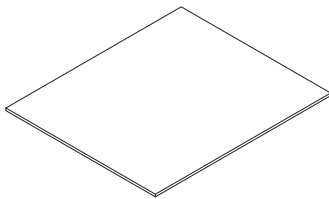
x 2

9



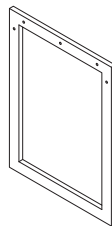
x 2

10



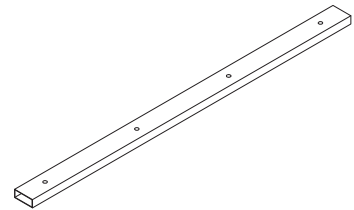
x 2

11



x 2

12



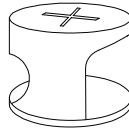
x 1

A



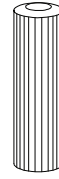
x 6

B



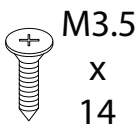
x 6

C



x 2

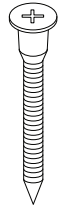
D



M3.5
x
14

x 16

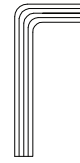
E



M7
x
40

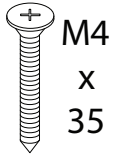
x 1

F



x 1

G



M4
x
35

x 8

H



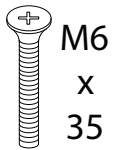
x 4

I



x 4

J



M6
x
35

x 14

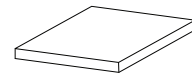
K



M6
x
30

x 4

L



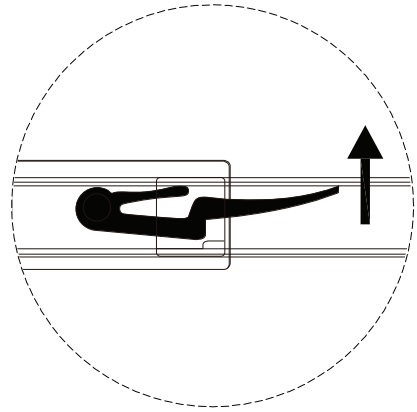
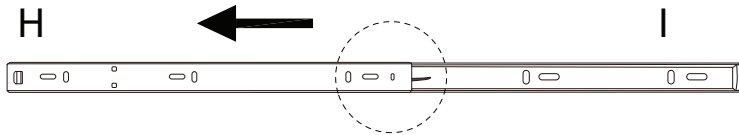
x 4

M

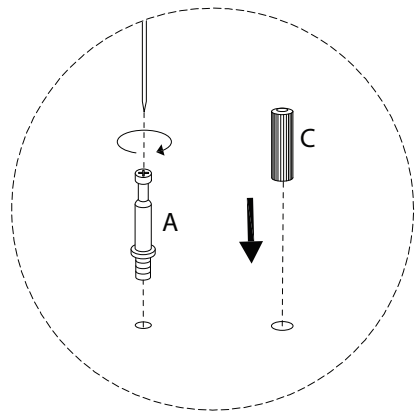
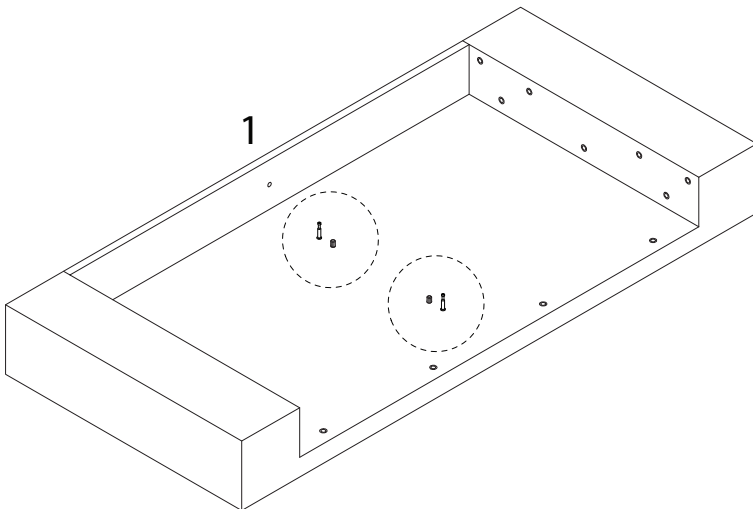
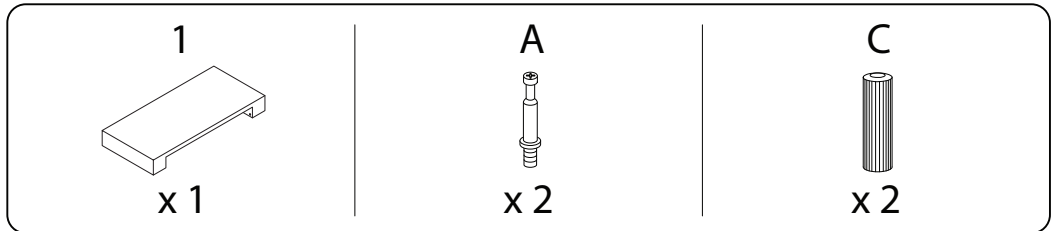


x 4

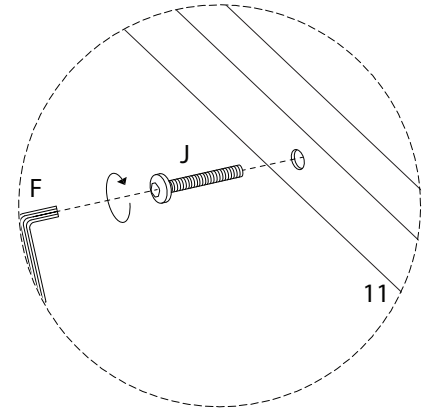
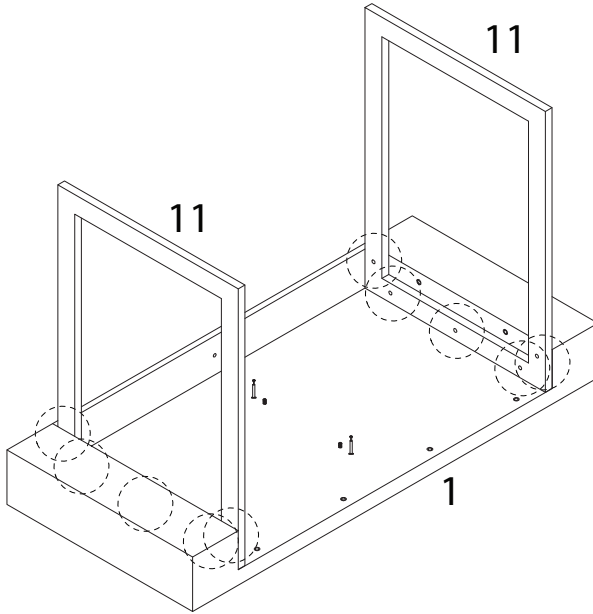
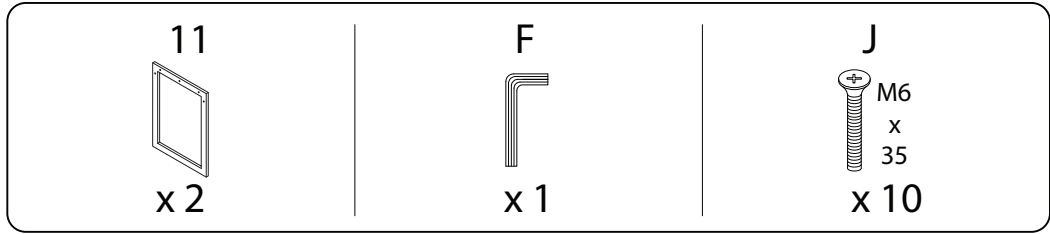
!



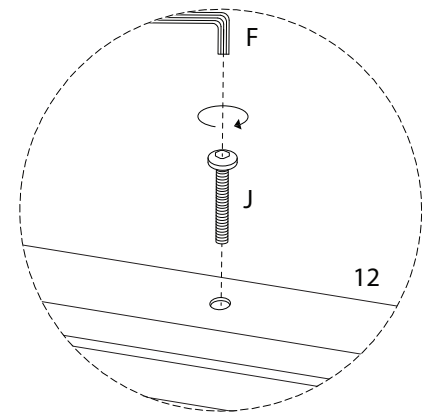
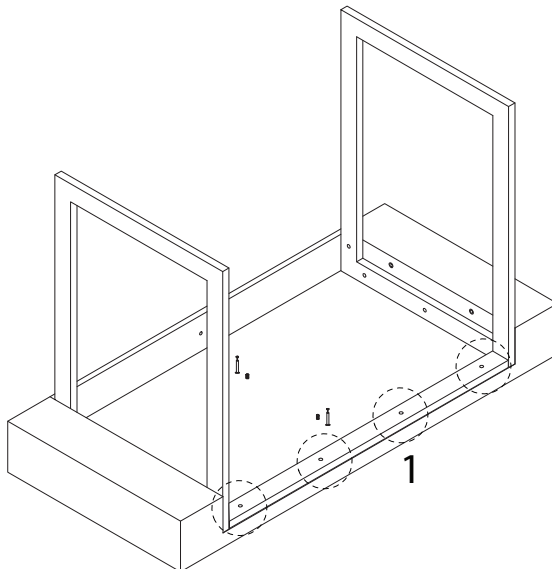
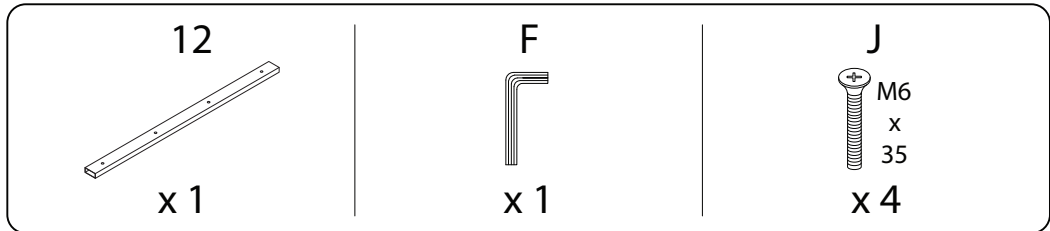
1



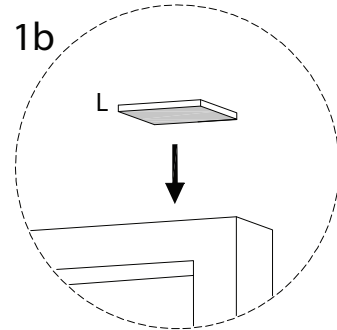
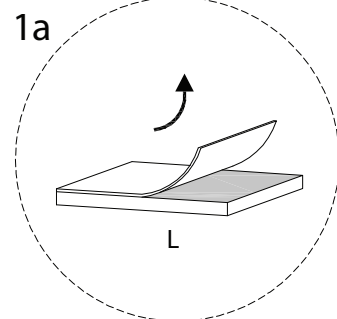
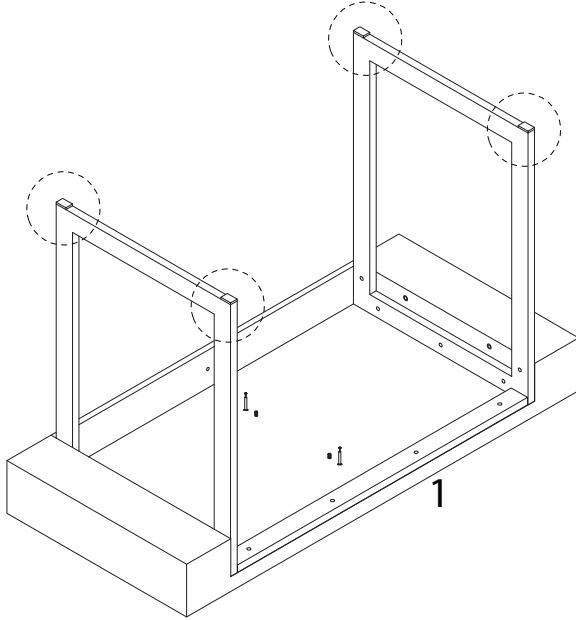
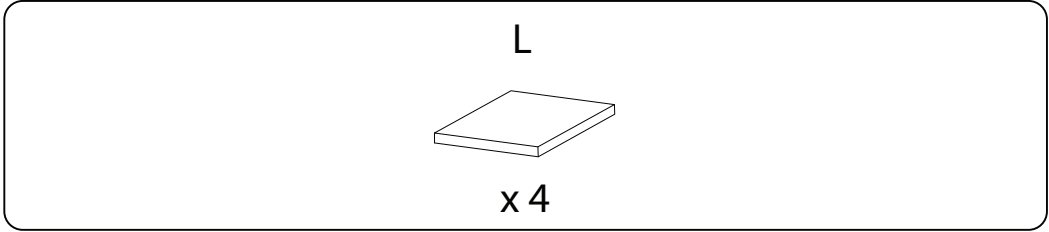
2



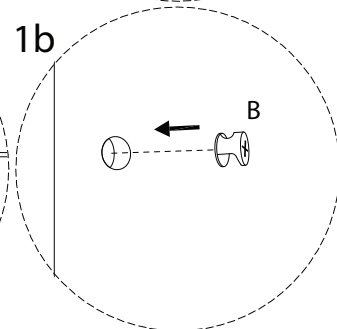
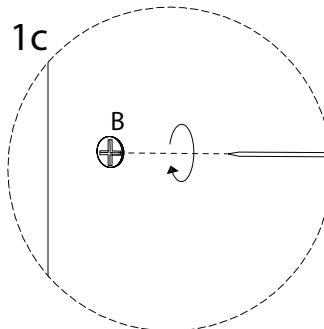
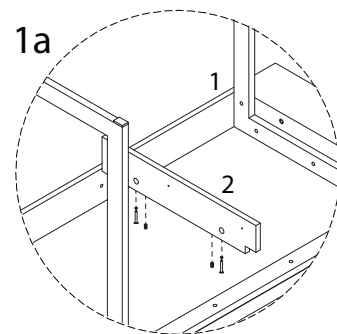
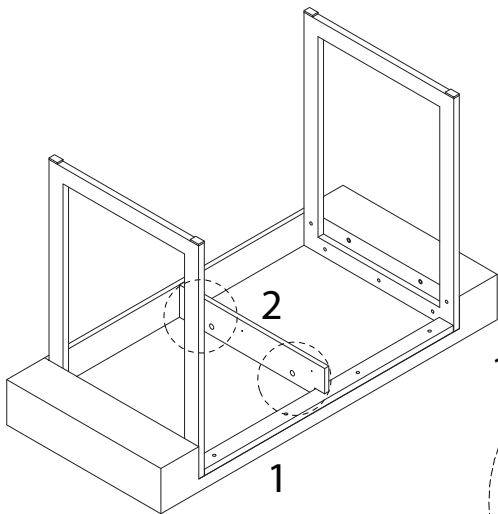
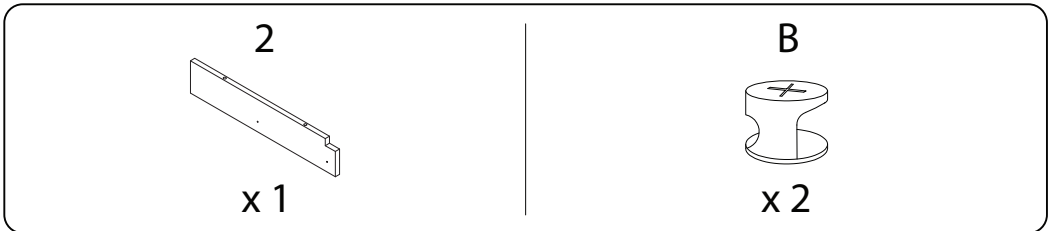
3



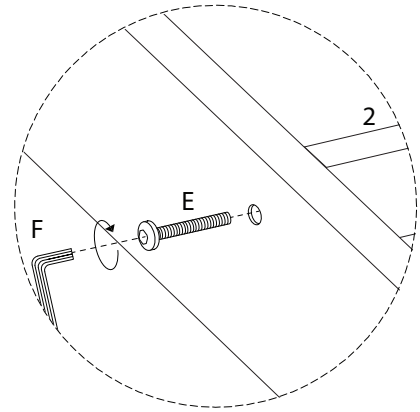
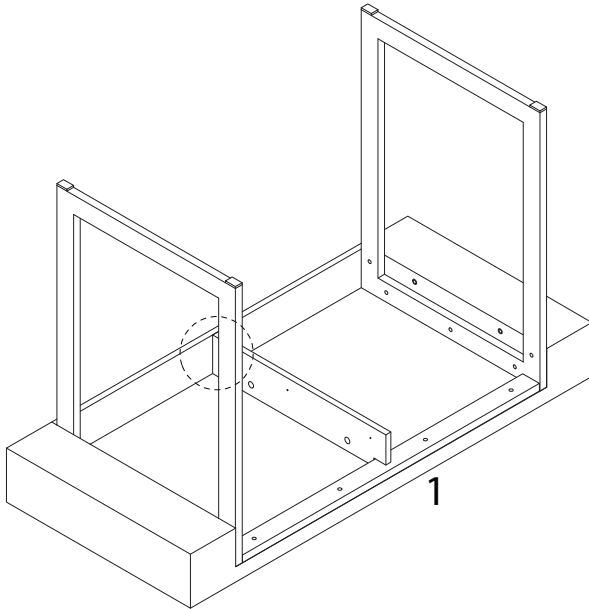
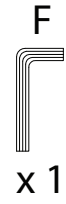
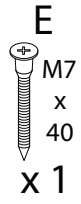
4



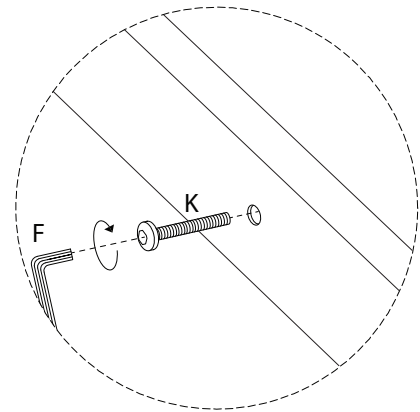
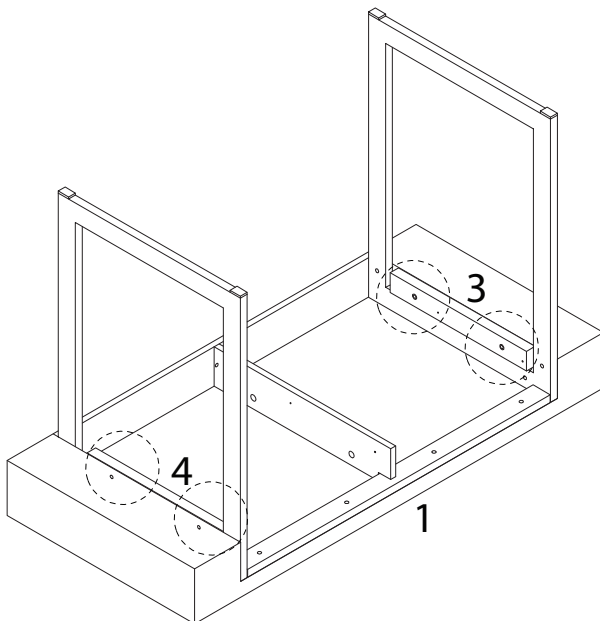
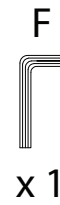
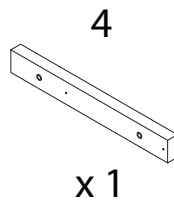
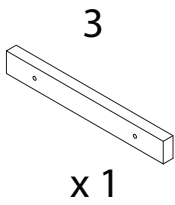
5



6

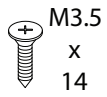


7



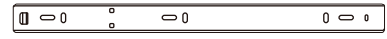
8

D

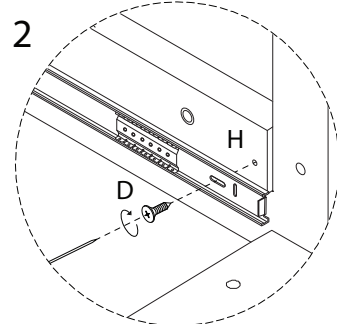
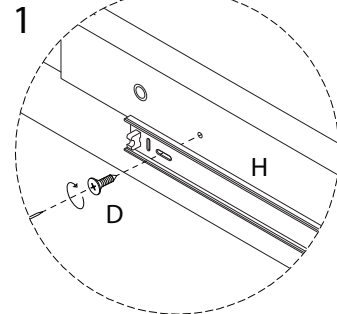
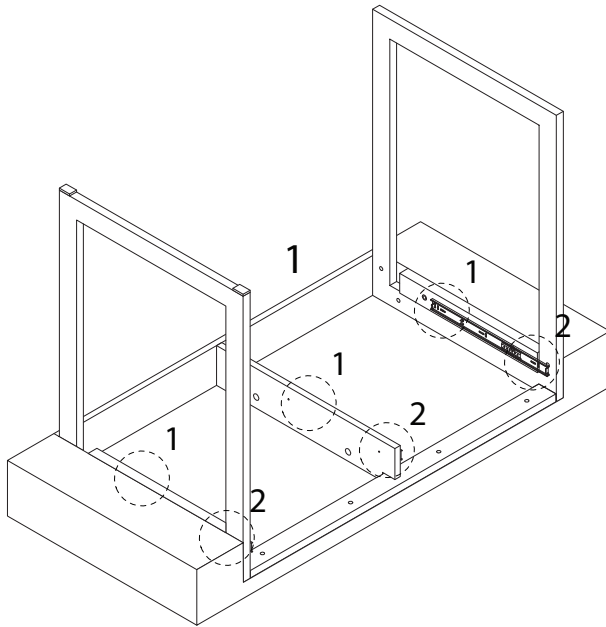


x 6

H

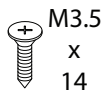


x 3



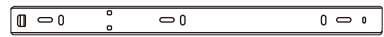
9

D

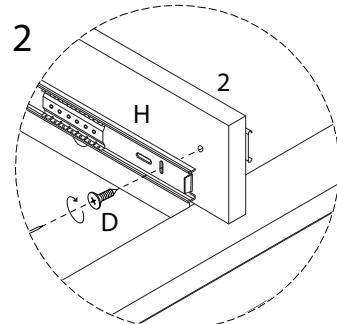
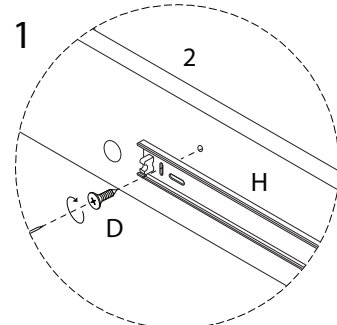
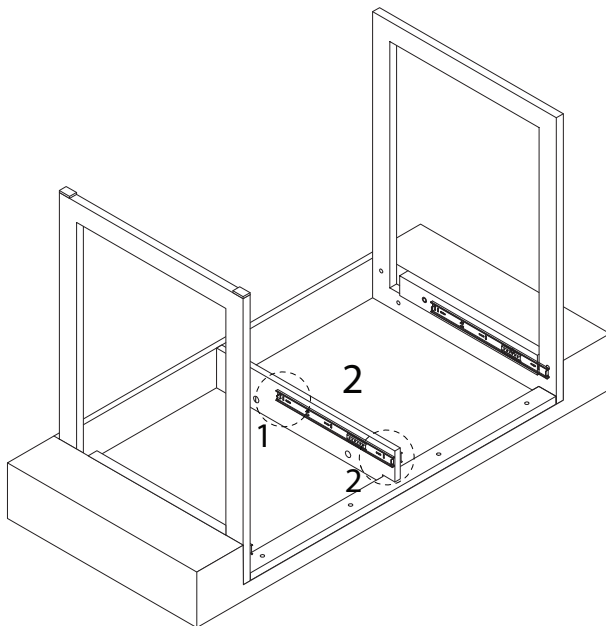


x 2

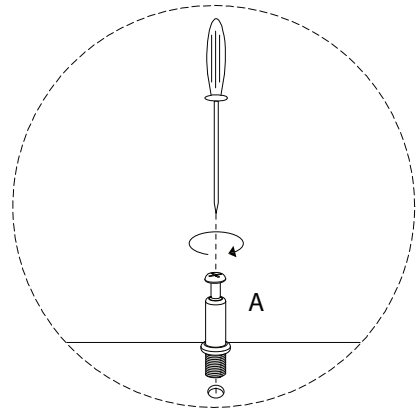
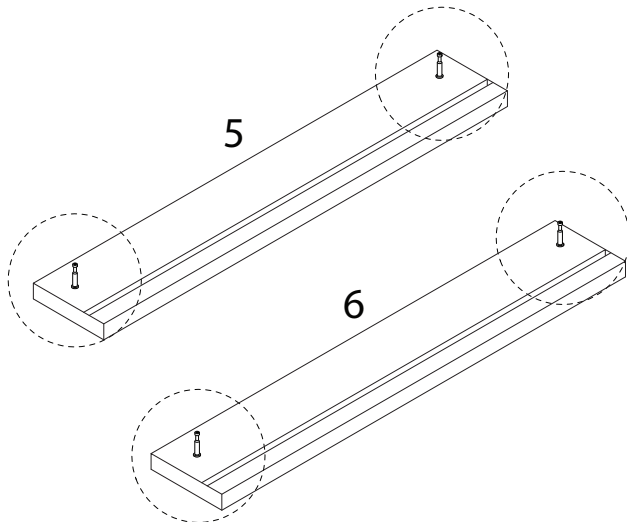
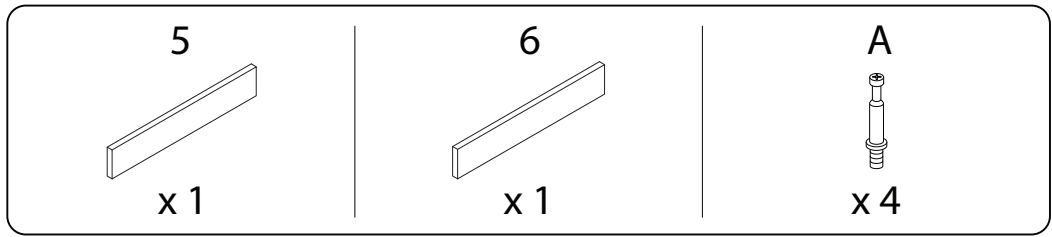
H



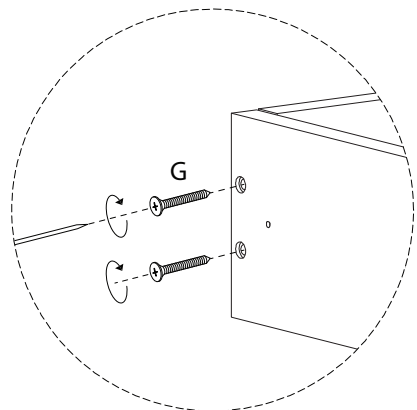
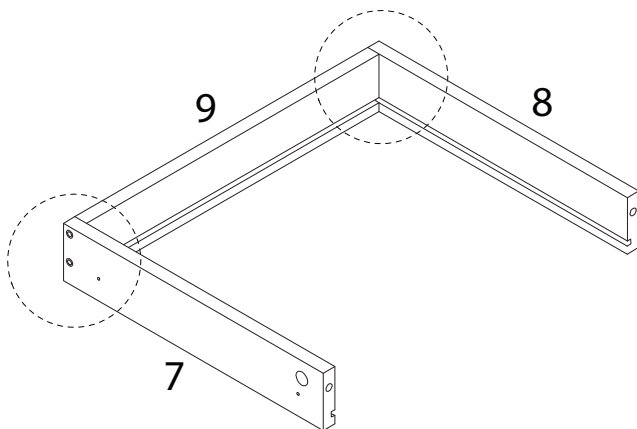
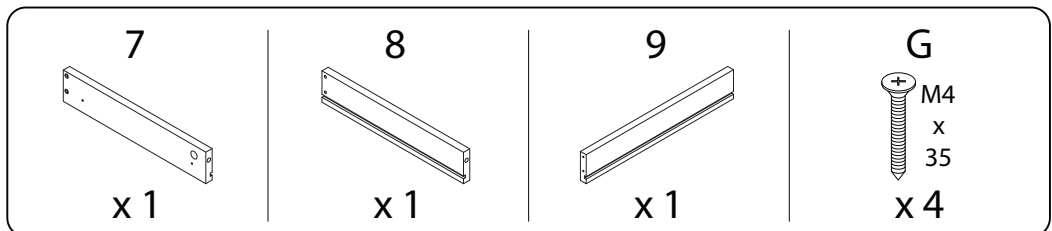
x 1



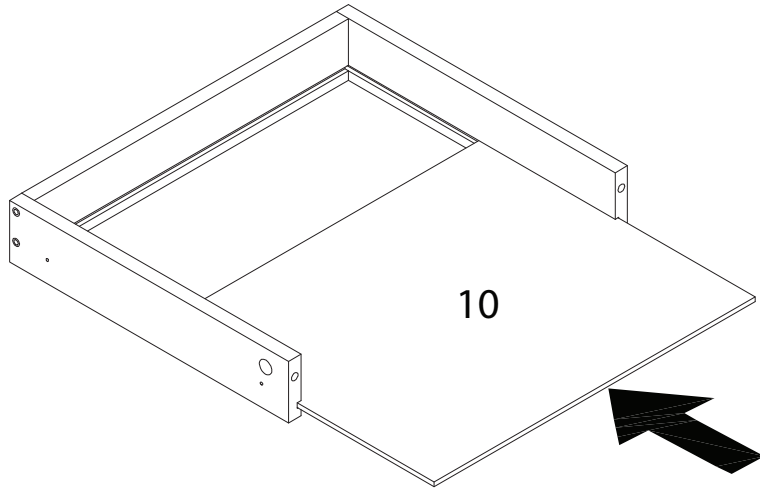
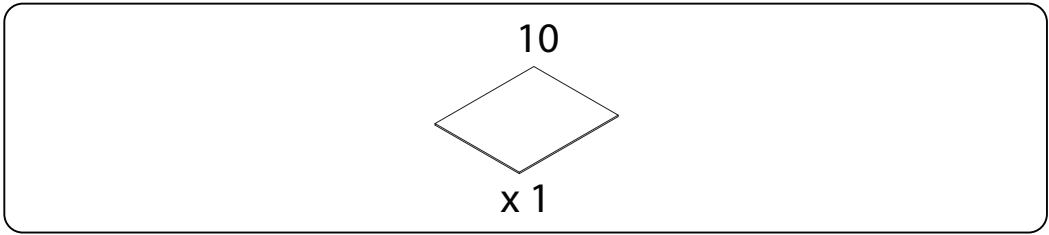
10



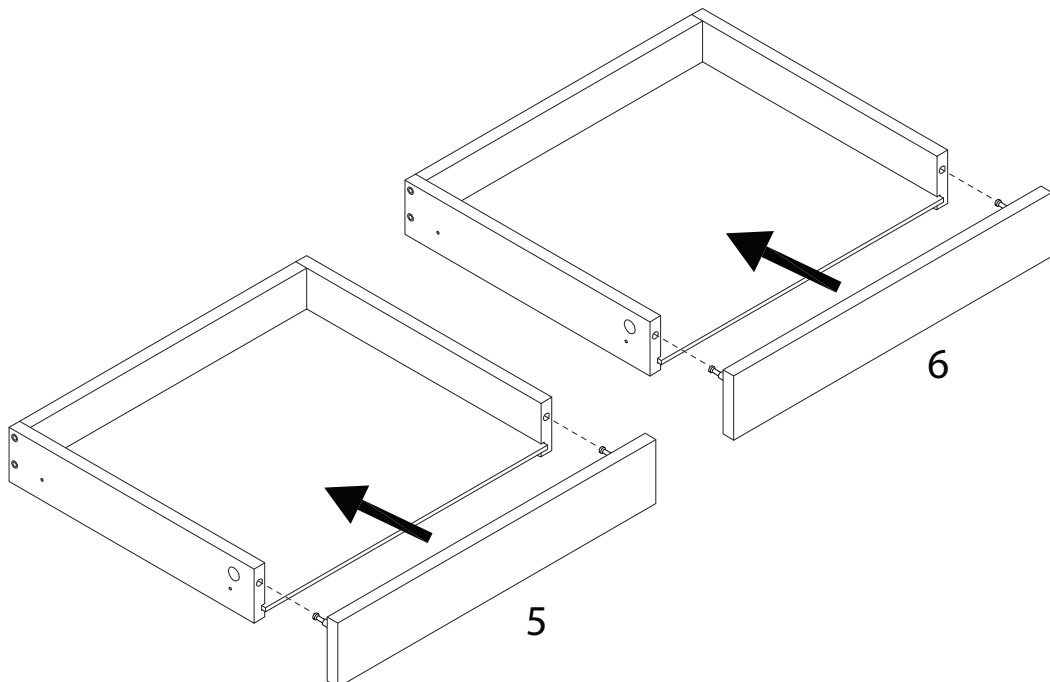
11 x 2



12 x 2



13

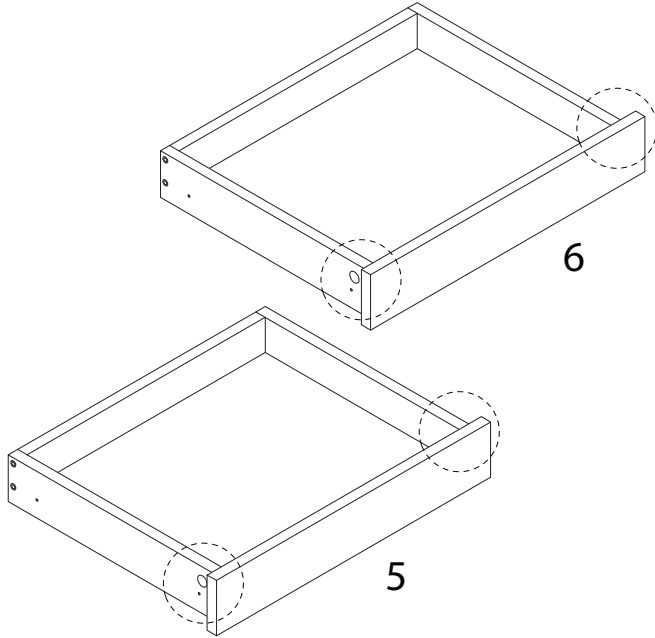


14

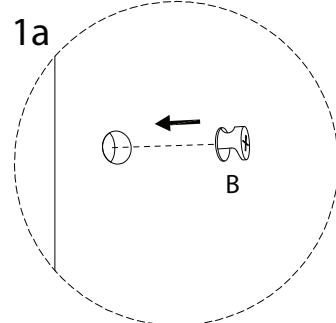
B



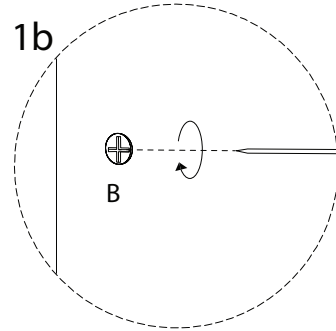
x 4



1a



1b

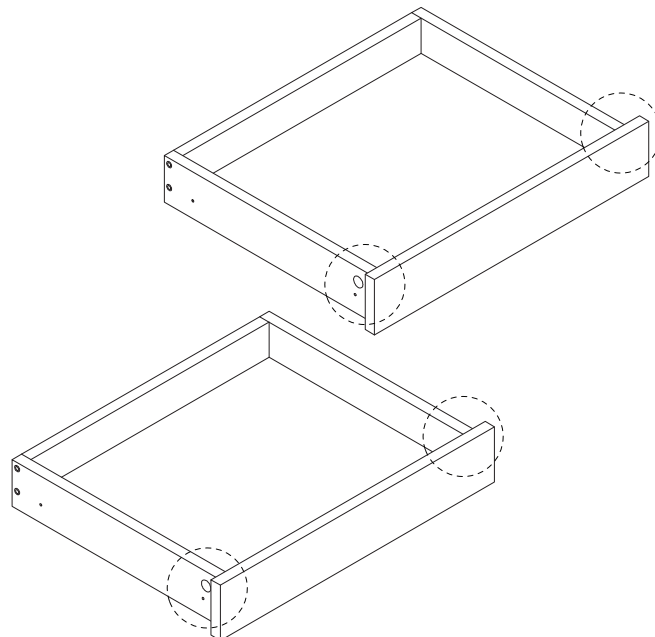


15

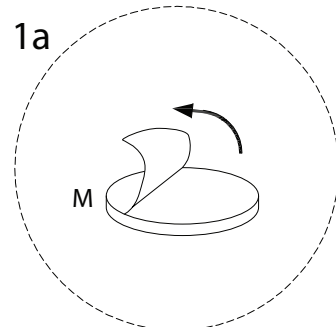
M



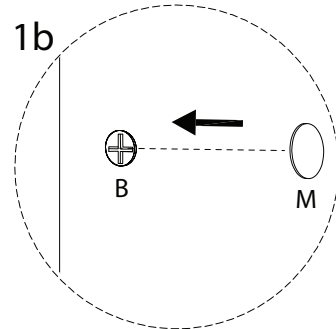
x 4



1a

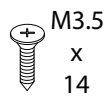


1b



16

D

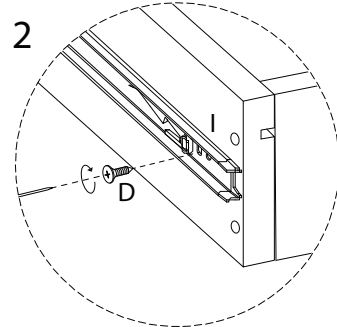
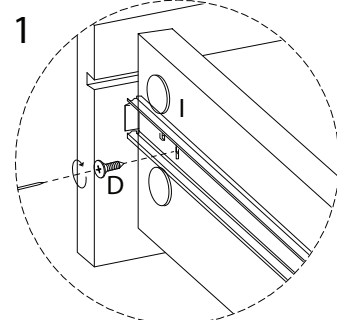
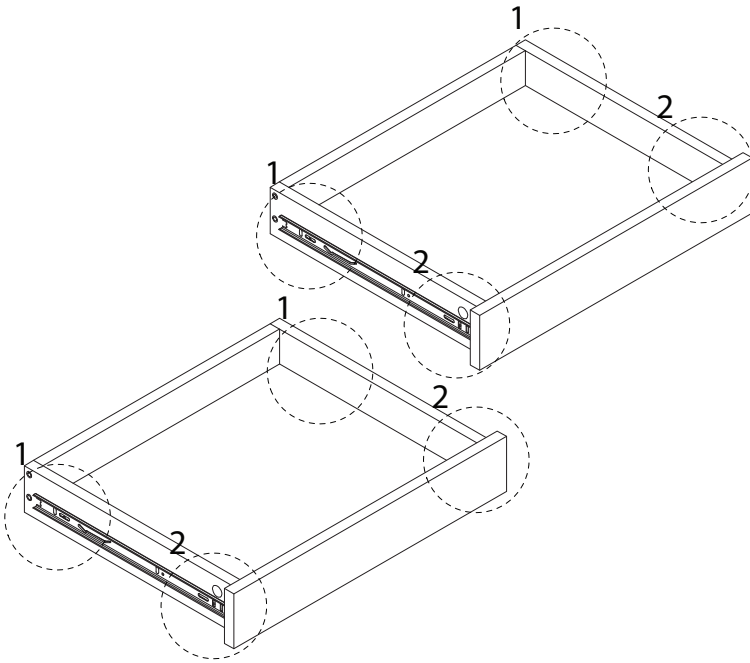


x 8

I



x 4



17

