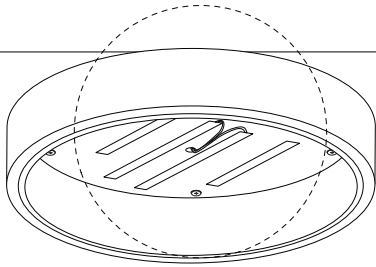
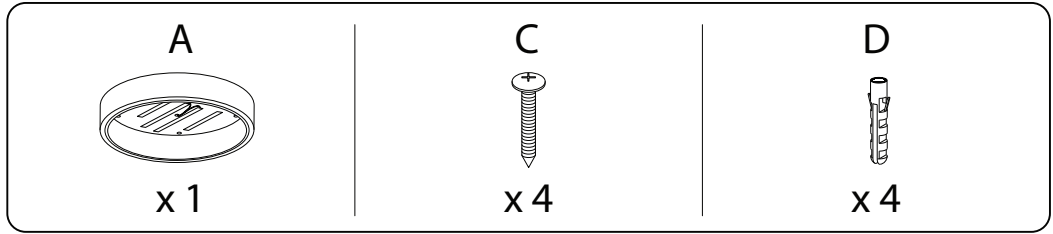


A	B	C	D
x 1	x 1	x 4	x 4

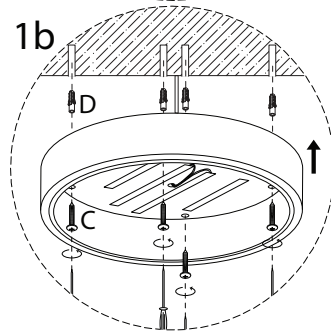
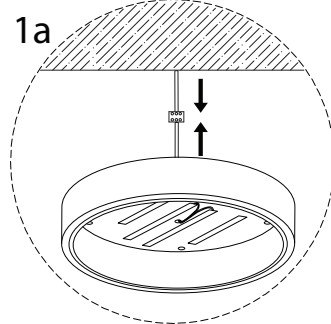
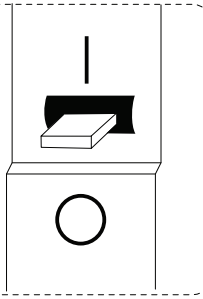
1



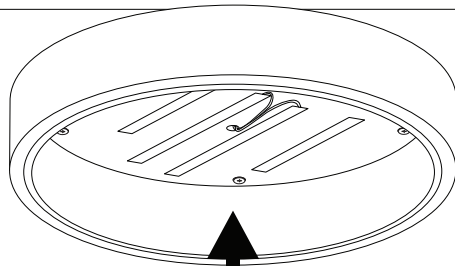
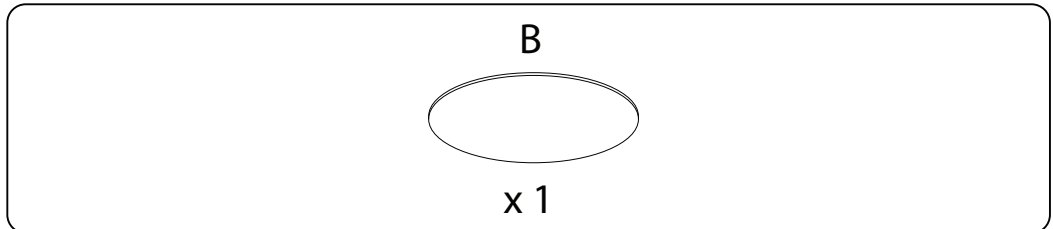
A



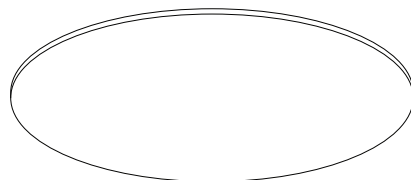
OFF



2



A



B