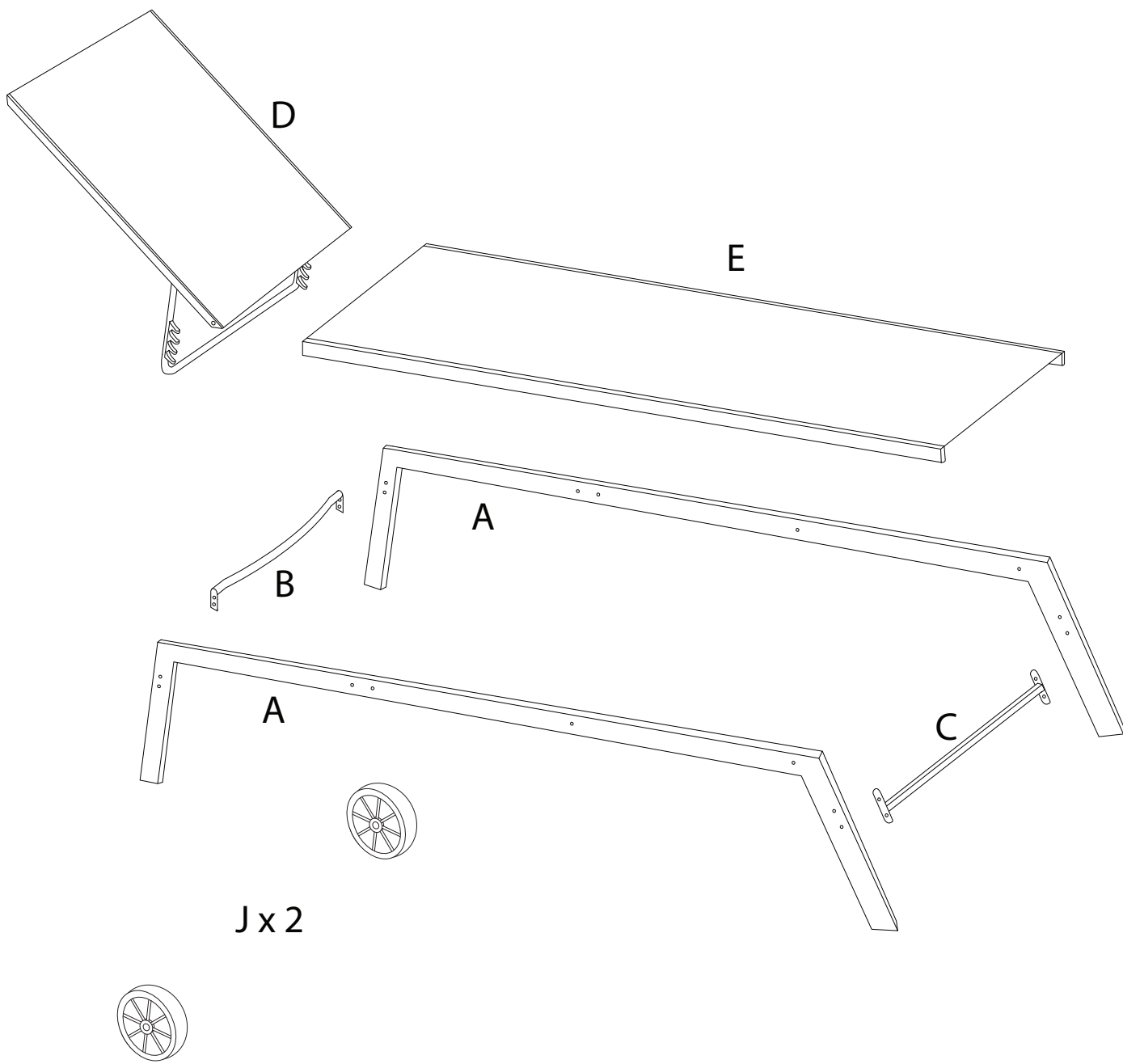

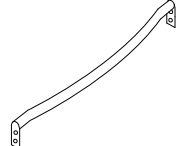
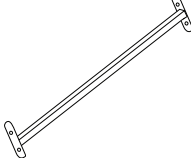
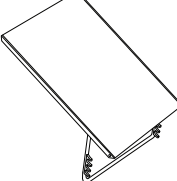



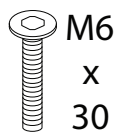
Assembly instructions for step 1/6:

- Tools:** An icon in a circle shows an Allen key and a wrench. A power drill is shown with a diagonal line through it, indicating it should not be used.
- Warning:** A triangle with an exclamation mark.
- Time:** A clock icon with the text "30'" below it, indicating an estimated assembly time of 30 minutes.
- Personnel:** An icon of a person with the number "2" below it, indicating that two people are required for assembly.
- Diagram:** An icon in a circle shows a rectangular block being placed on a surface. A second diagram shows the block being secured with a screw from underneath, with a diagonal line through it.



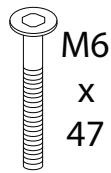
A	B	C	D	E
				
x 2	x 1	x 1	x 1	x 1

F



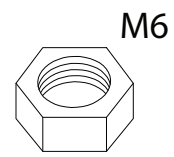
x 8

G



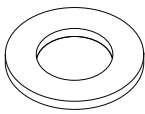
x 8

H



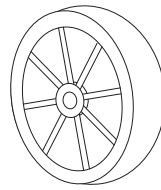
x 16

I



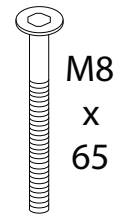
x 2

J



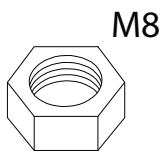
x 2

K



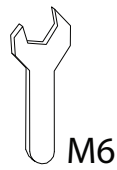
x 2

L



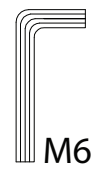
x 2

M



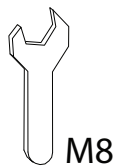
x 1

N



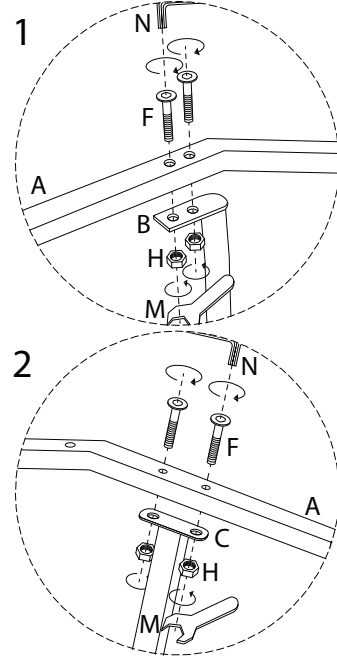
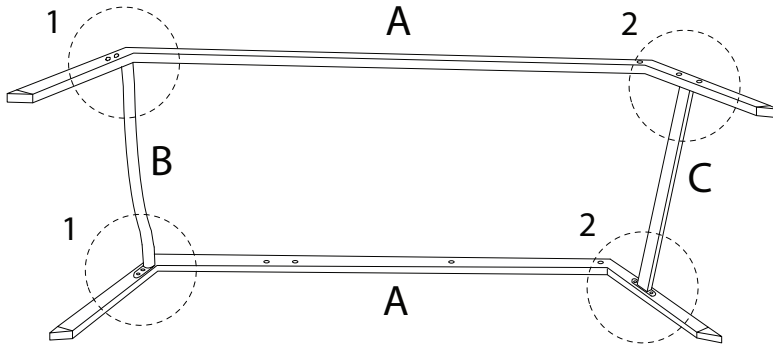
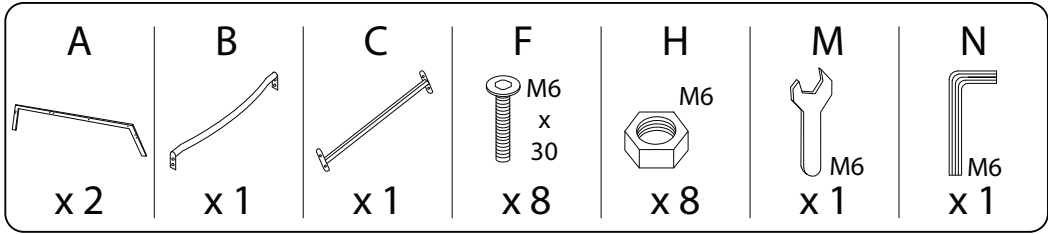
x 1

O

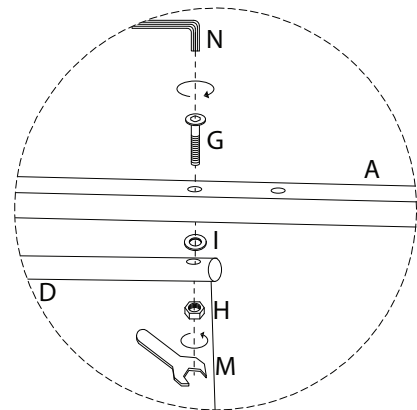
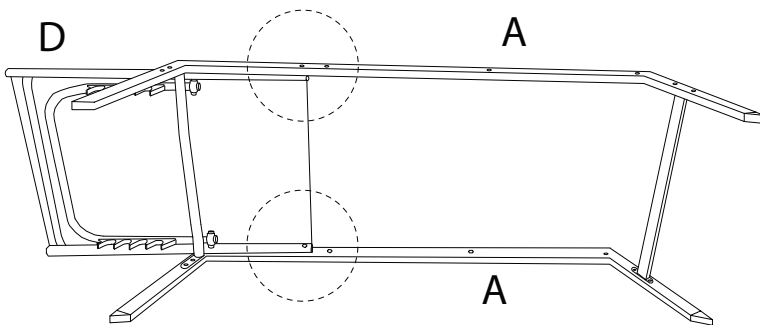
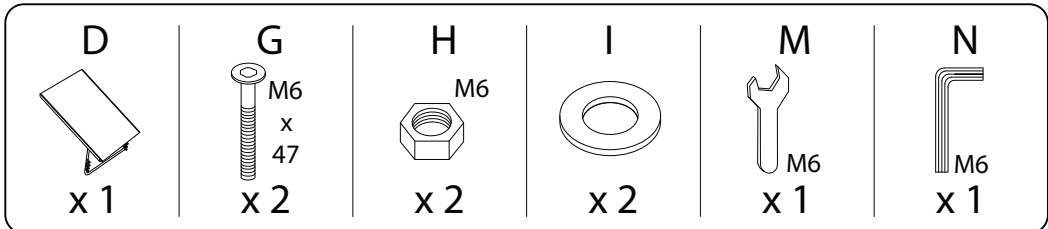


x 1

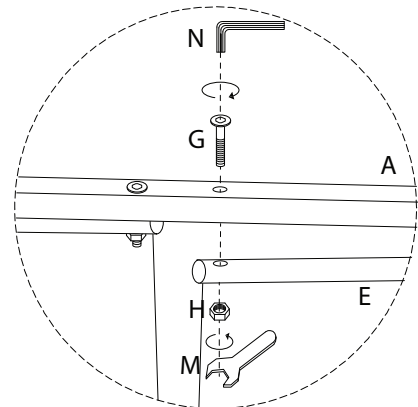
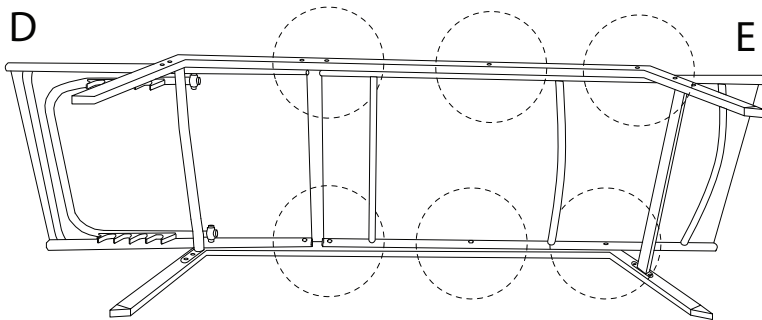
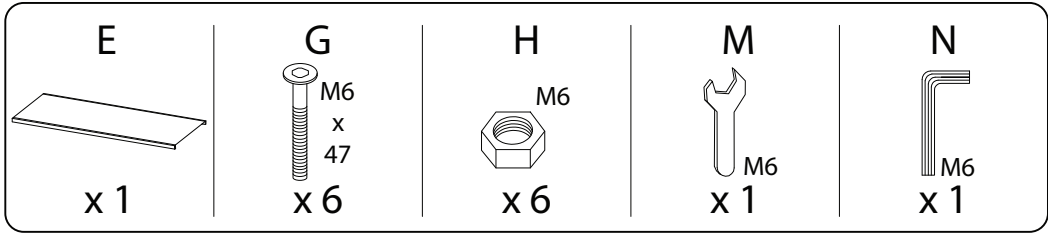
1



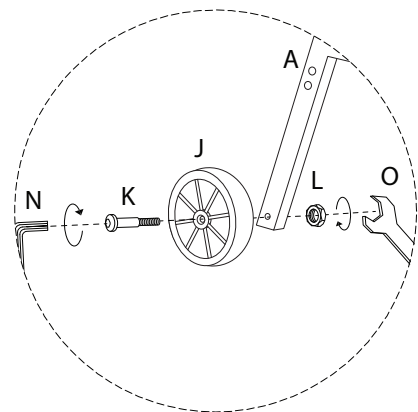
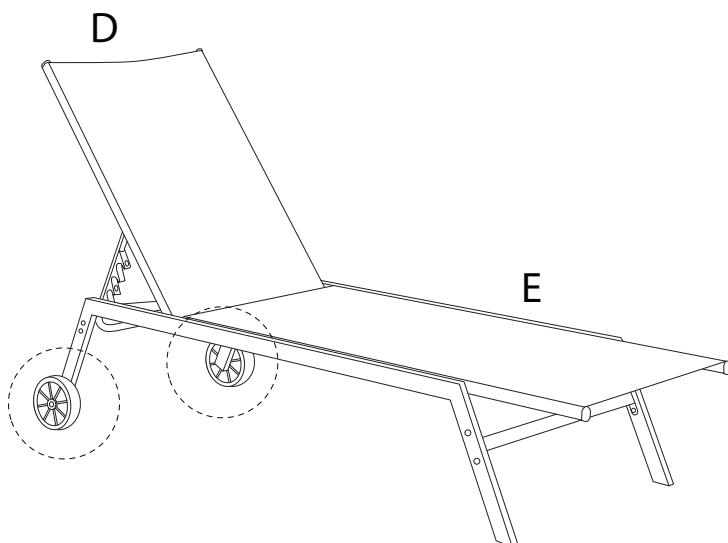
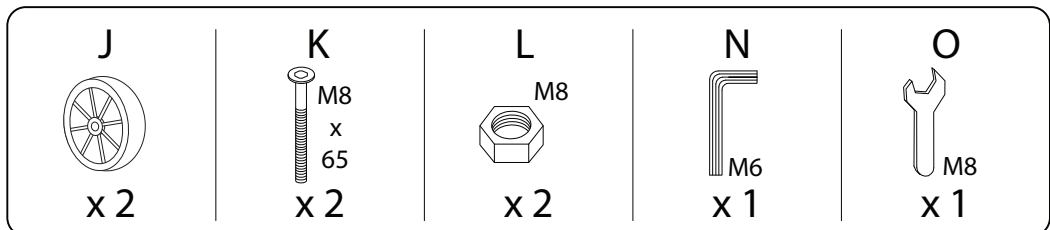
2



3



4



5

