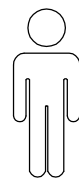
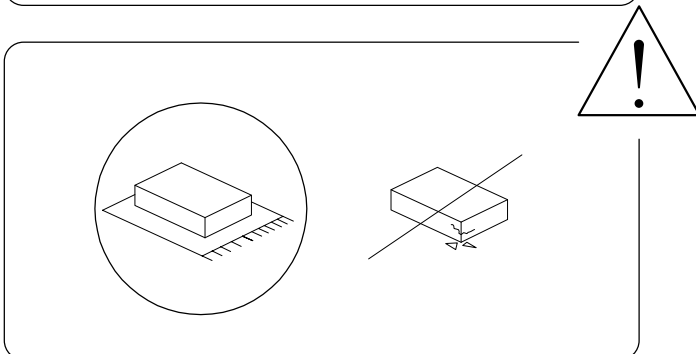
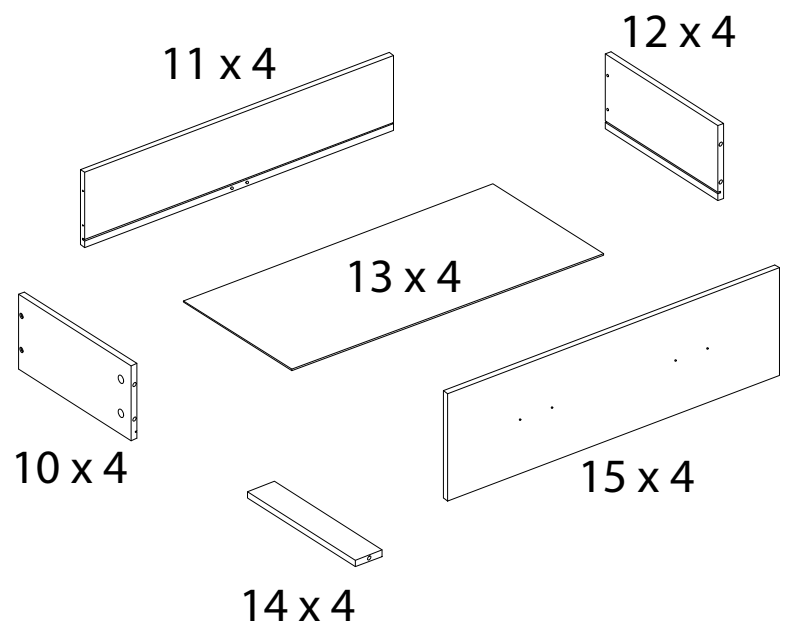
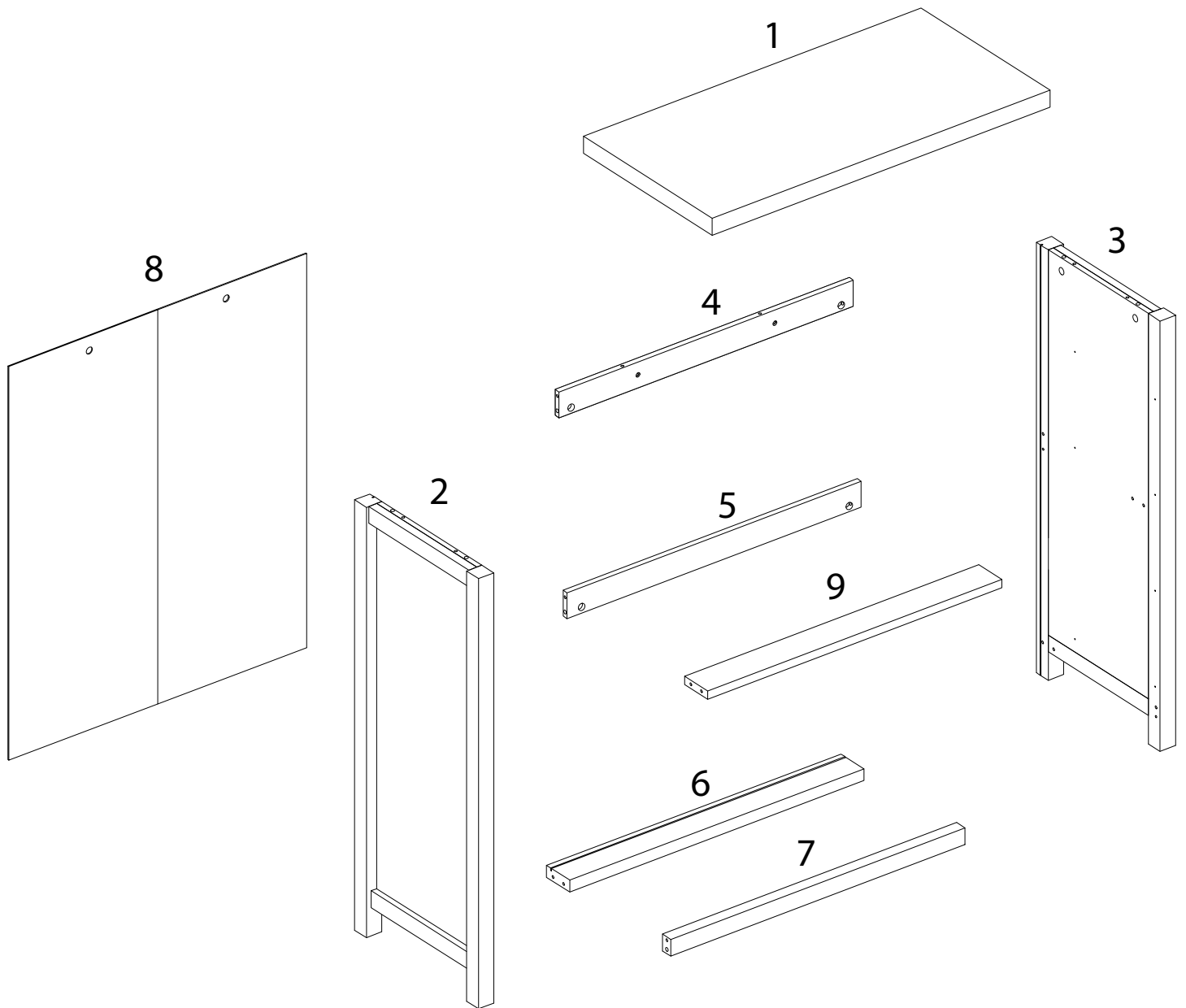


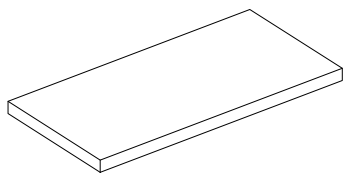
60'



2



1



x 1

2



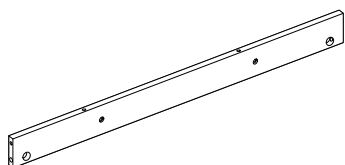
x 1

3



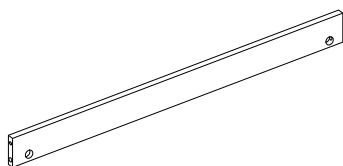
x 1

4



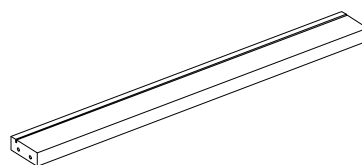
x 1

5



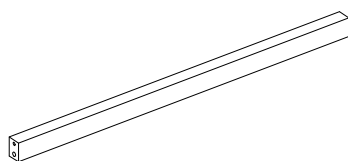
x 1

6



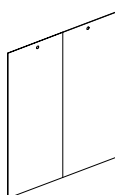
x 1

7



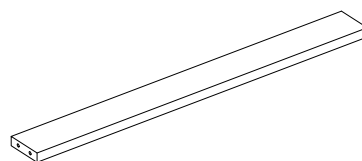
x 1

8



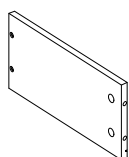
x 1

9



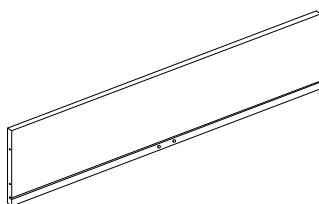
x 1

10



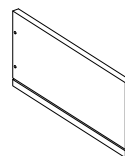
x 4

11



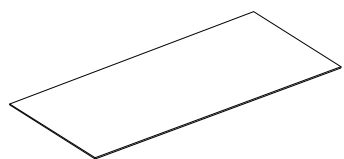
x 4

12



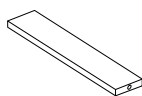
x 4

13



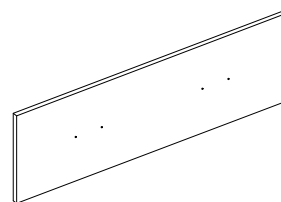
x 4

14



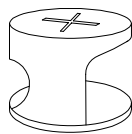
x 4

15



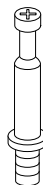
x 4

A



x 34

B



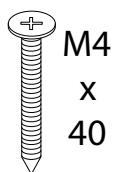
x 34

C



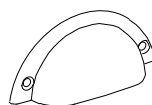
x 16

D



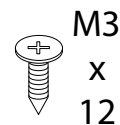
x 26

E



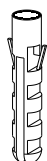
x 8

F



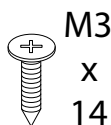
x 48

G



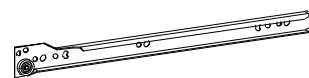
x 2

H



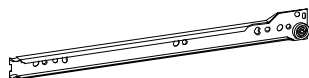
x 16

I



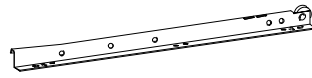
x 4

J



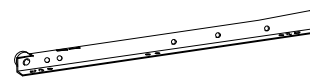
x 4

K



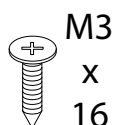
x 4

L



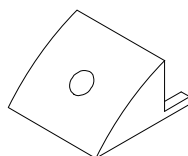
x 4

M



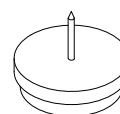
x 10

N



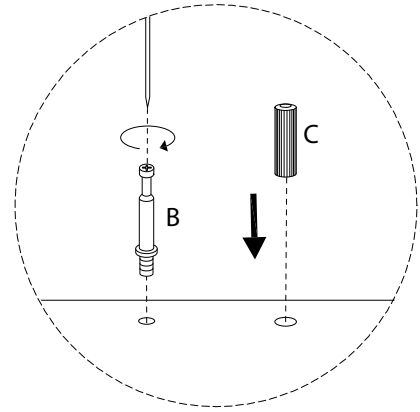
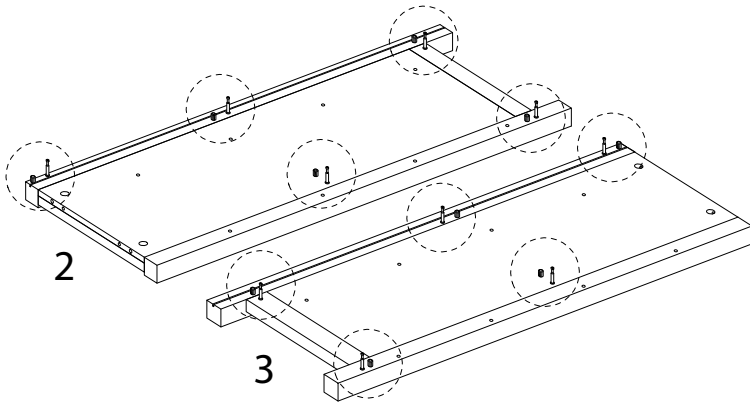
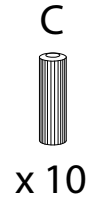
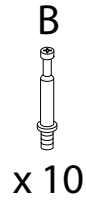
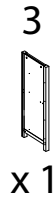
x 10

O

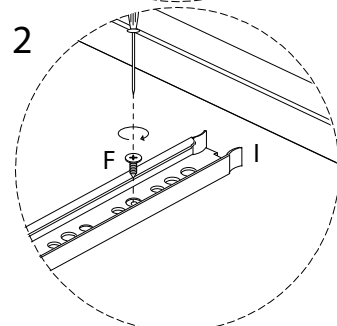
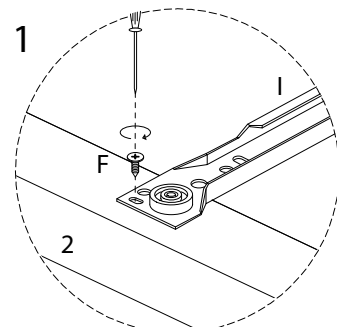
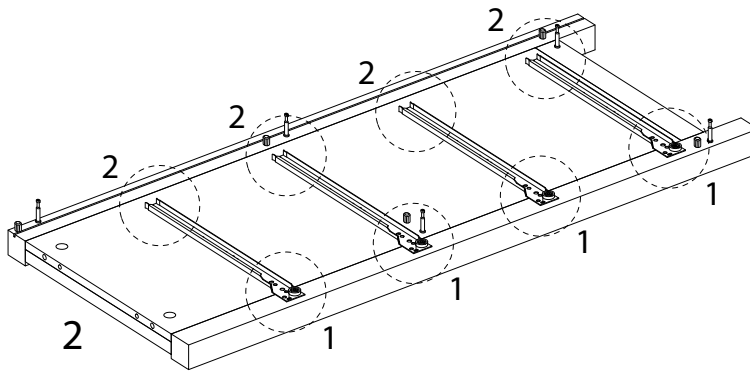
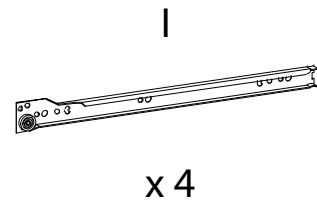
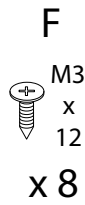


x 4

1

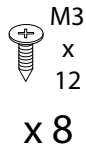


2

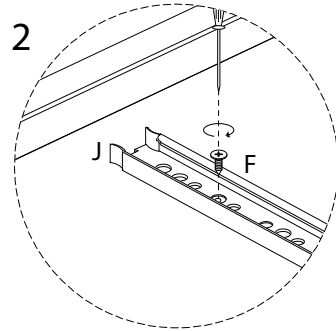
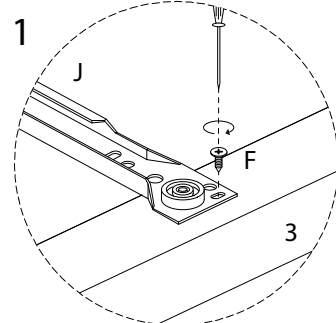
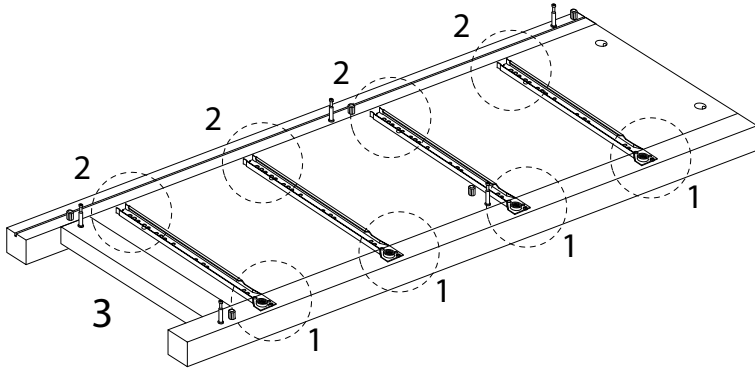
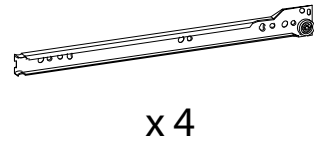


3

F

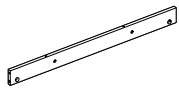


J



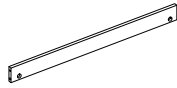
4

4



x1

5



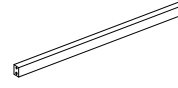
x1

6



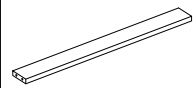
x1

7

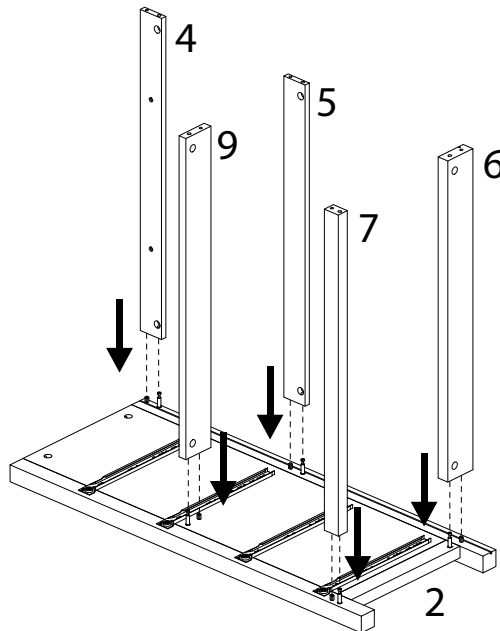


x1

9



x1

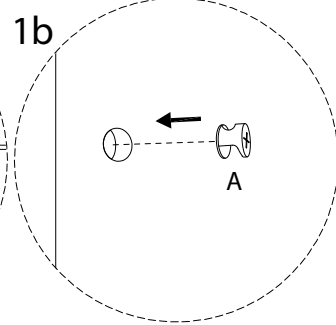
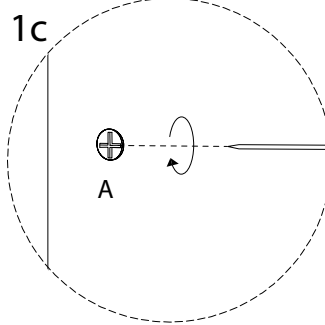
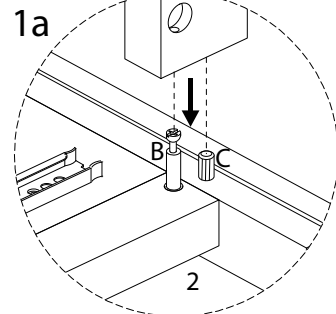
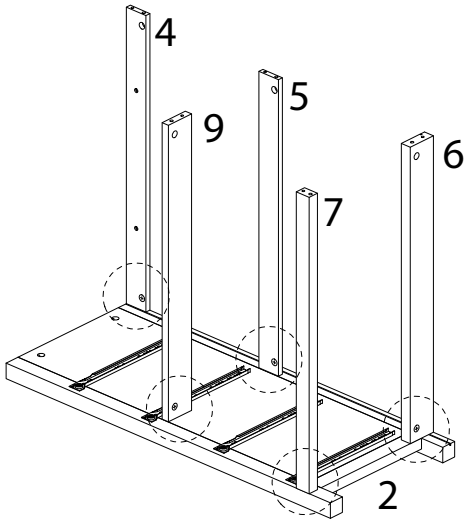


5

A



x5

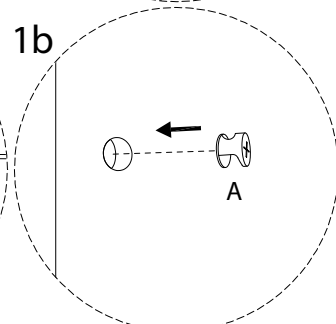
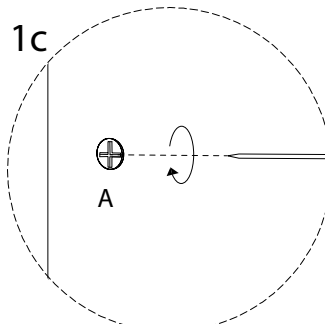
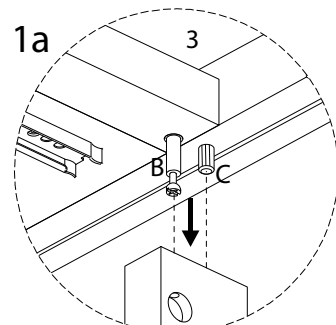
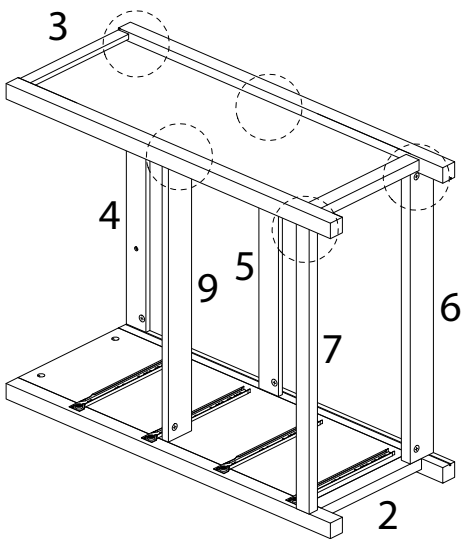


6

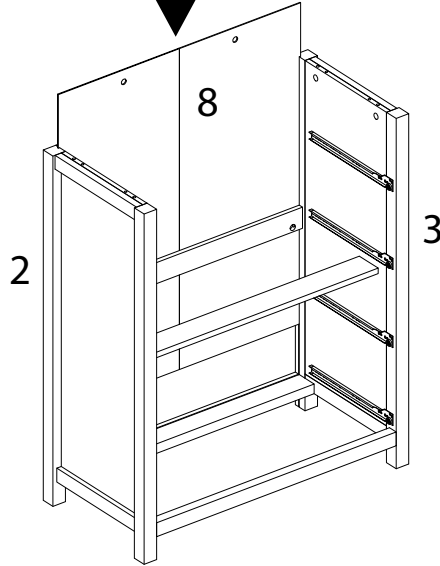
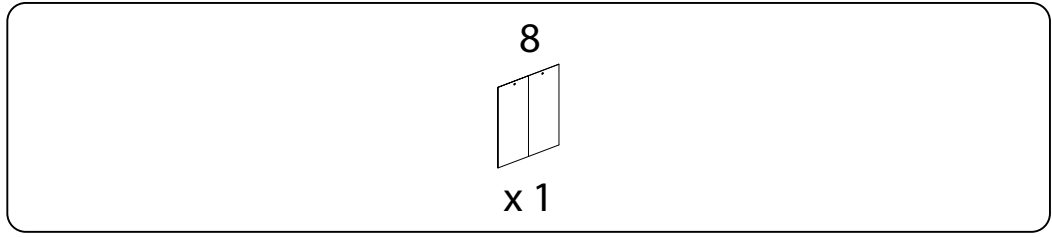
A



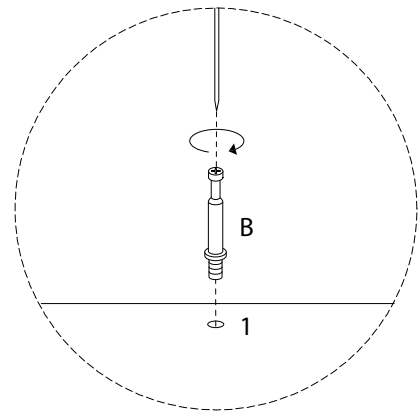
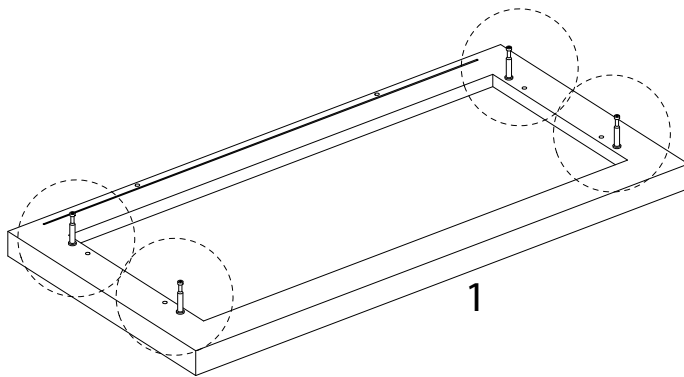
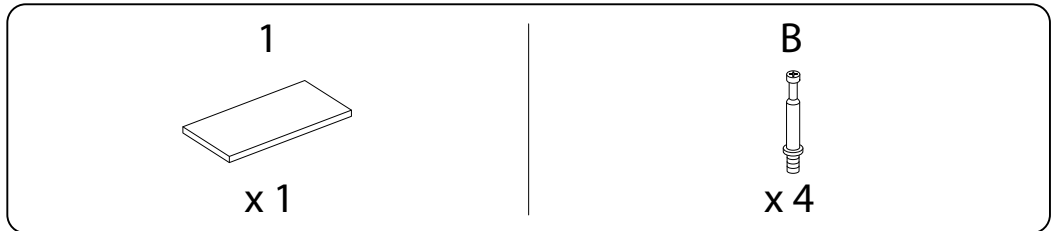
x5




7

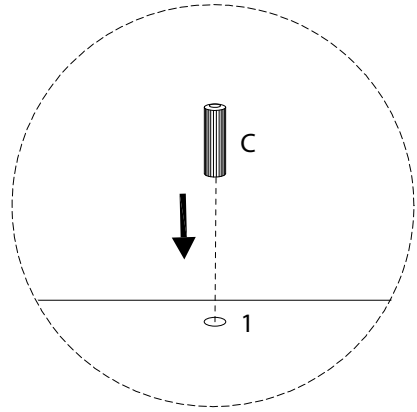
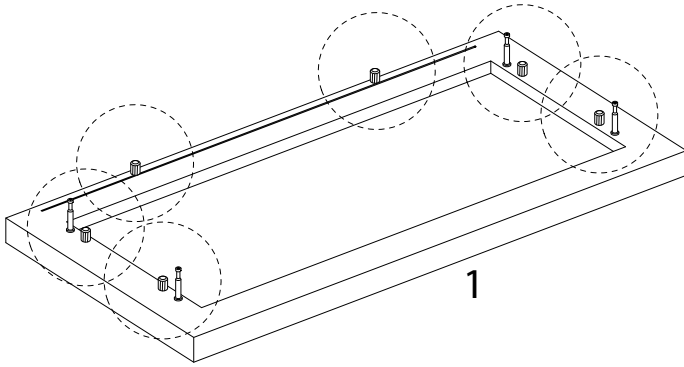


8



9

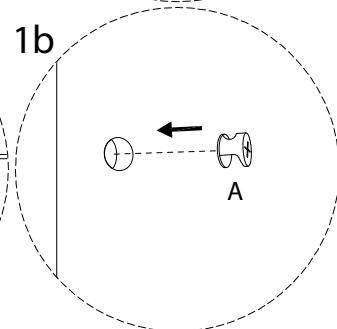
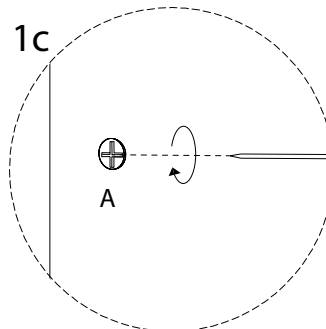
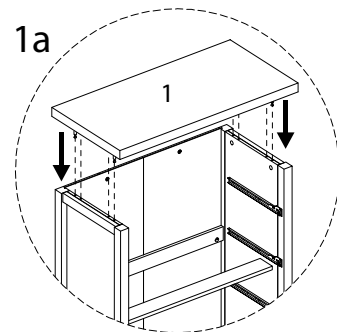
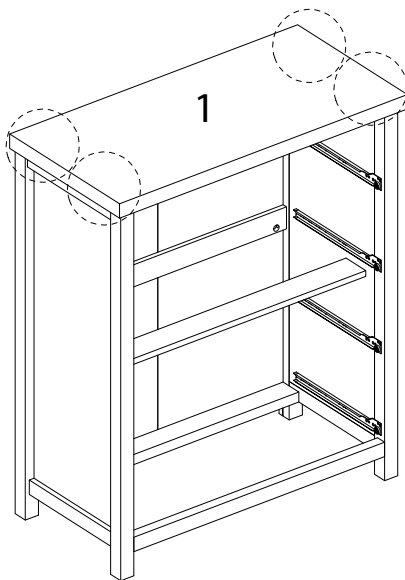
C

x 6



10

A

x 4



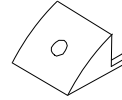
11

M

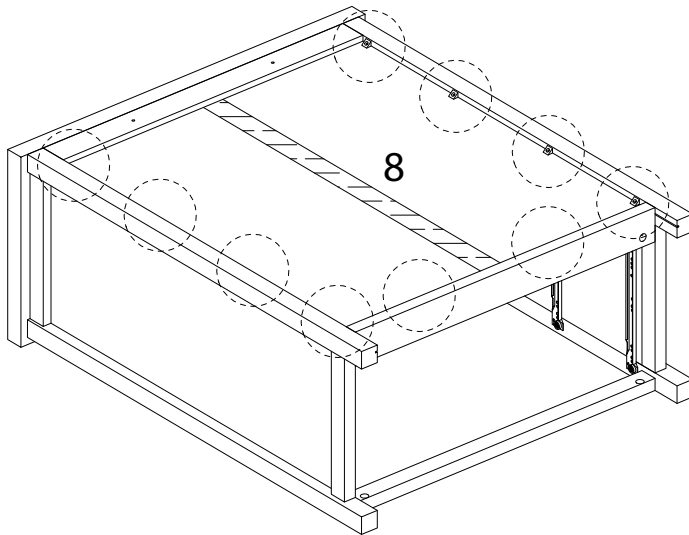


x 10

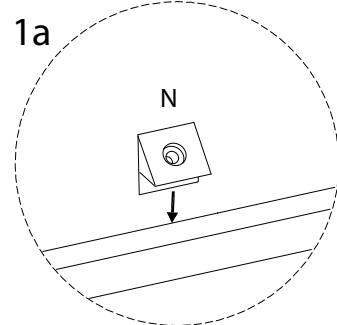
N



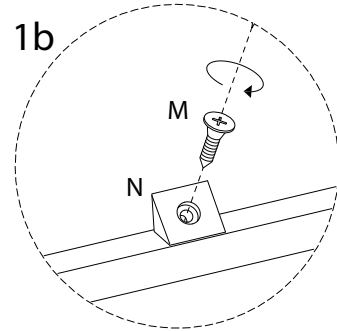
x 10



1a



1b

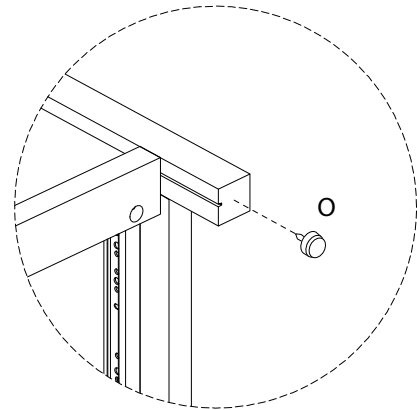
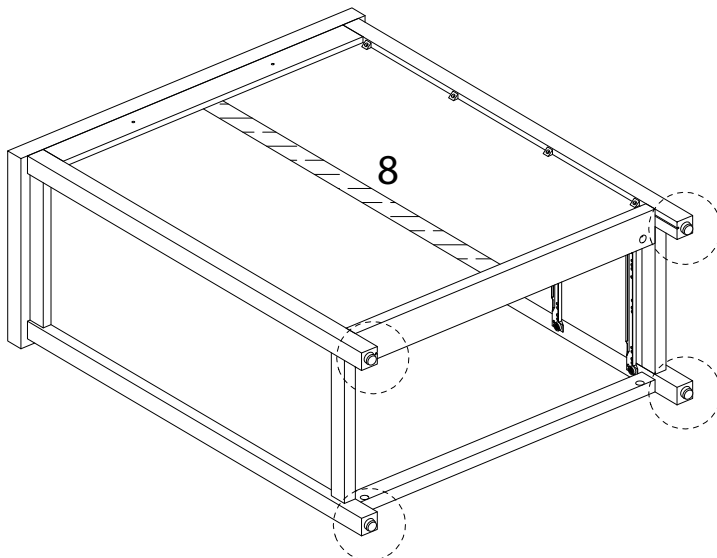


12

O



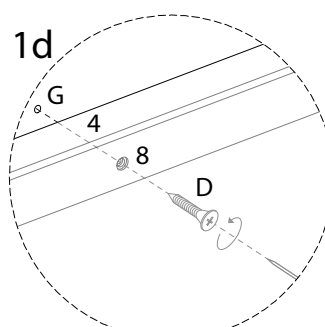
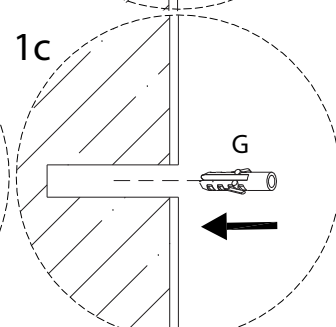
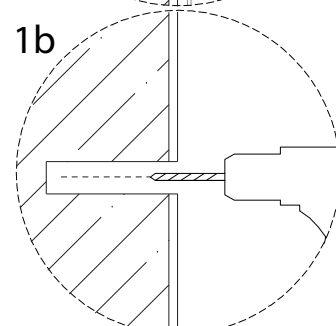
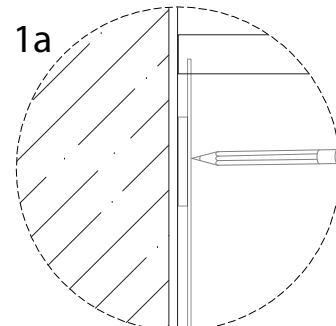
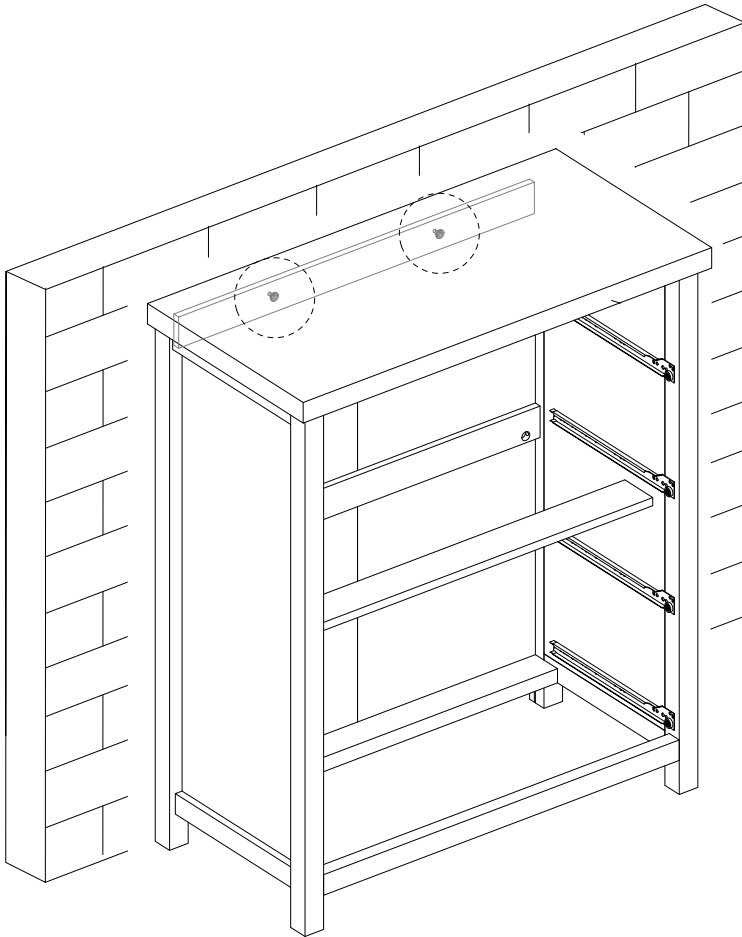
x 4



13

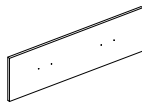
D
M4
x
40
x 2

G
x 2



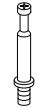
14 x 4

15

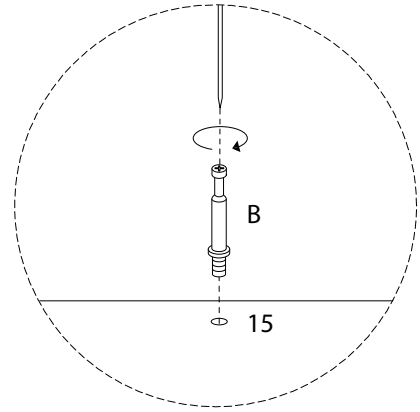
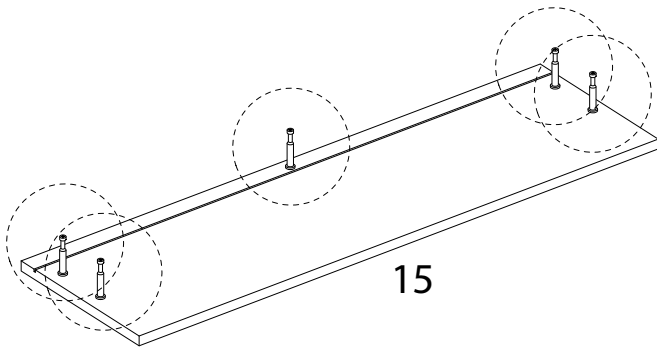


x 1

B

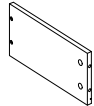


x 5



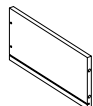
15 x 4

10



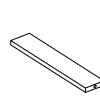
x 1

12



x 1

14

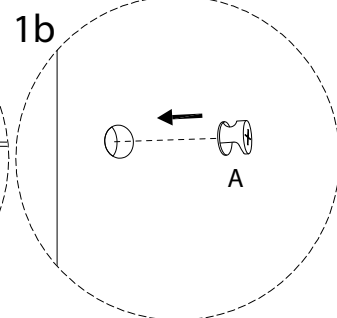
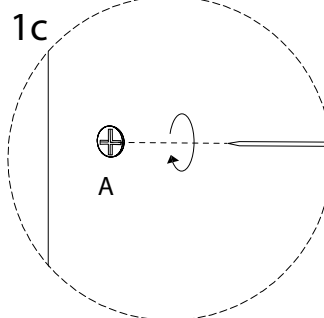
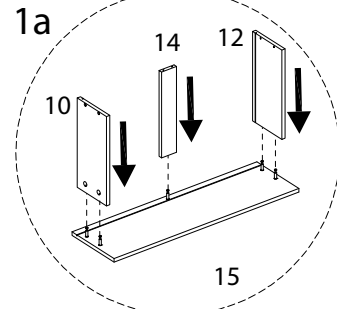
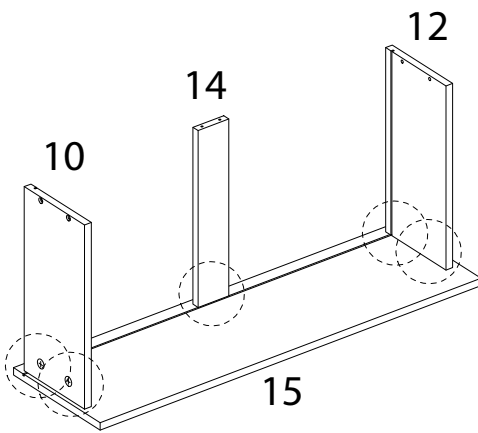


x 1

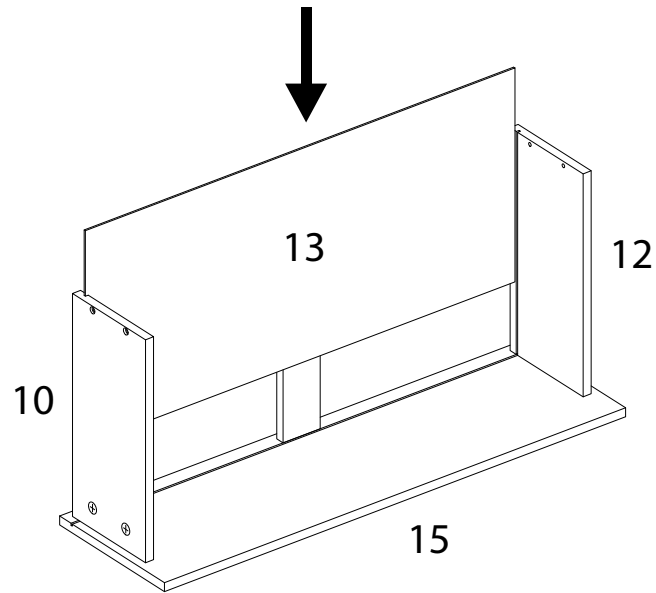
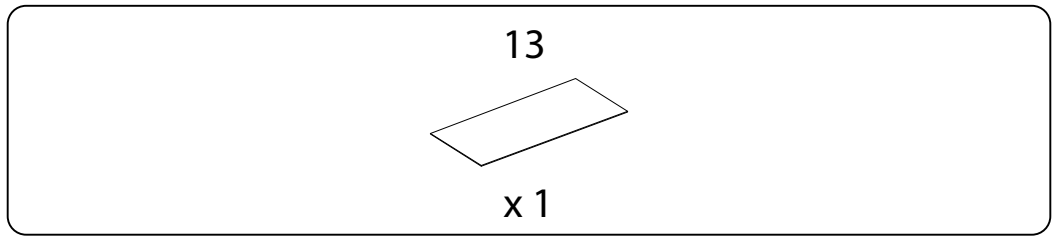
A



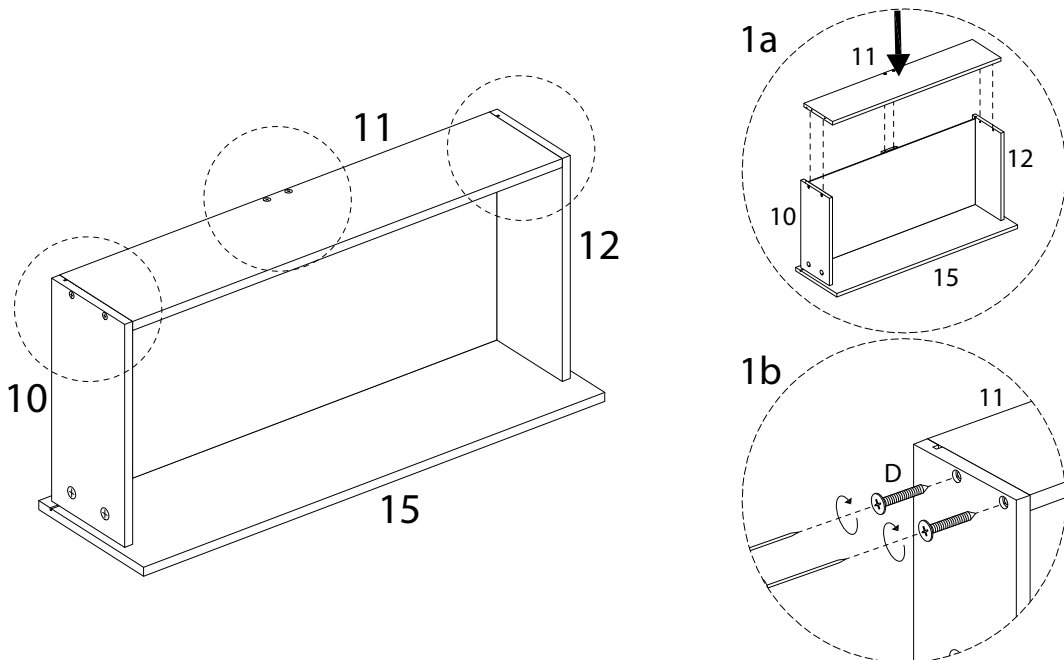
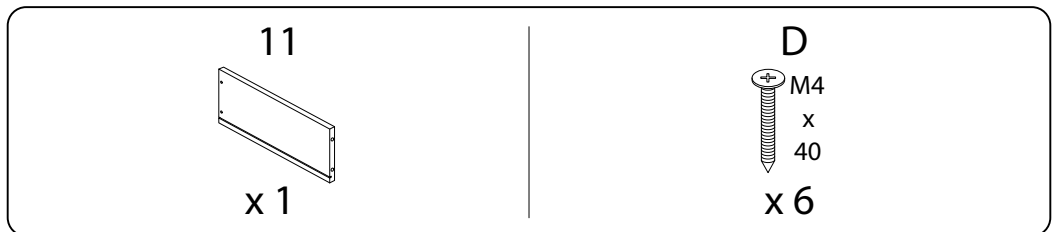
x 5



16 x 4



17 x 4

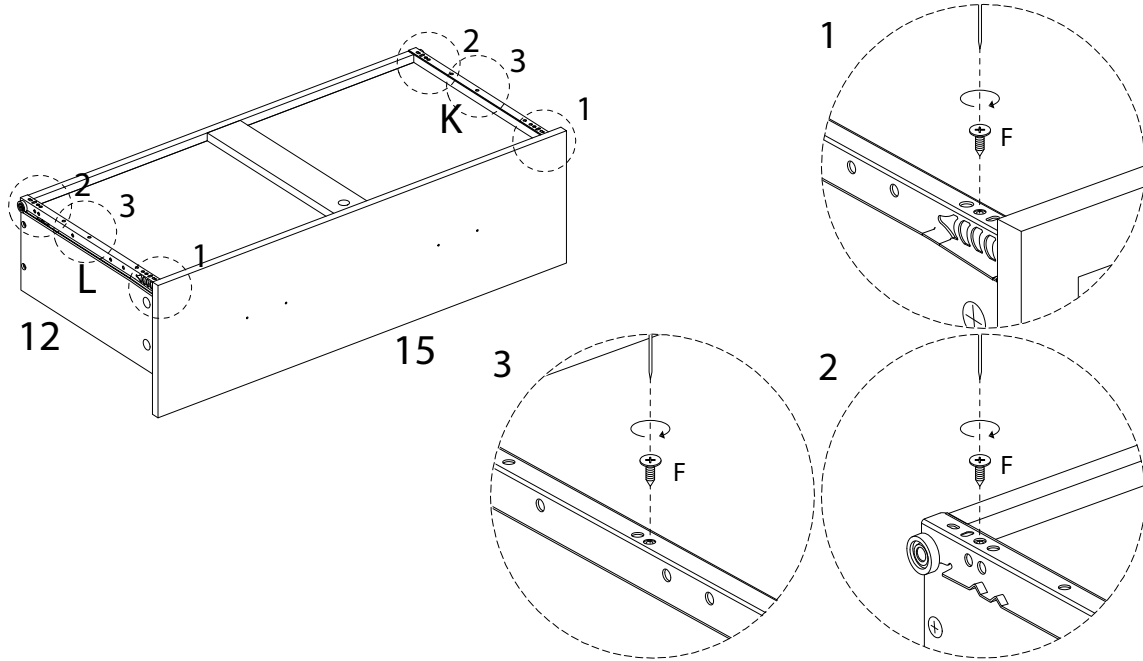


18 x 4

F
M3
x
12
x6

K
x1

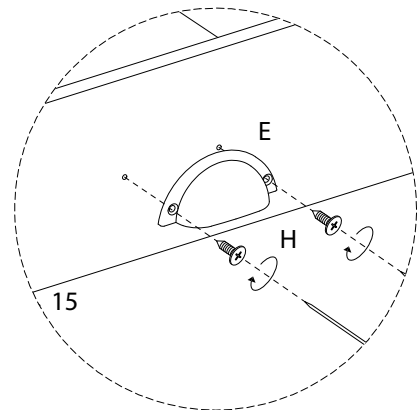
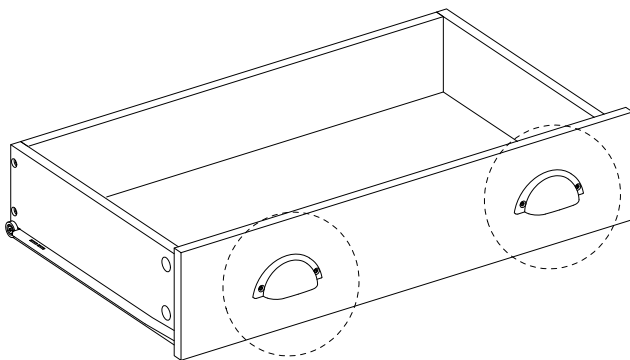
L
x1



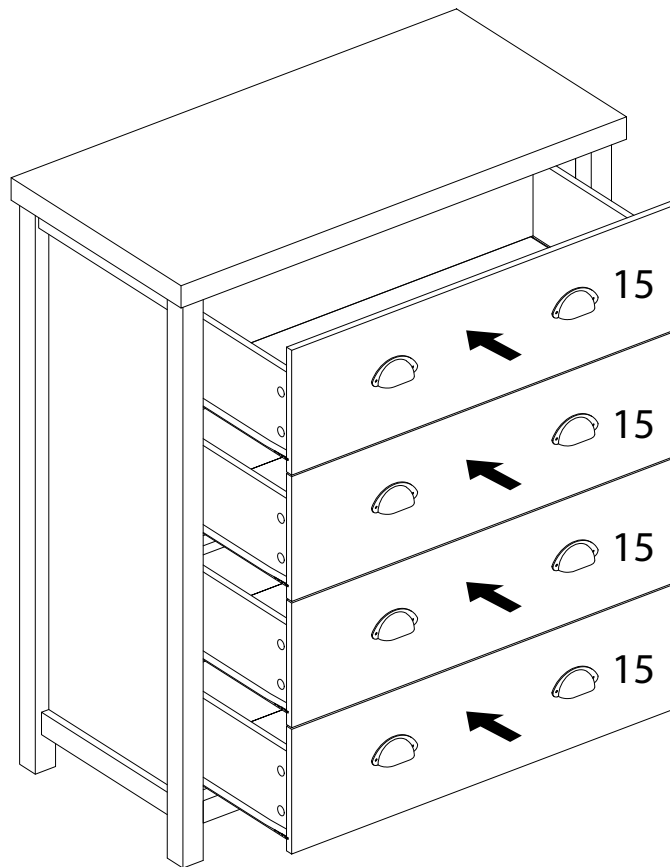
19 x 4

E
x2

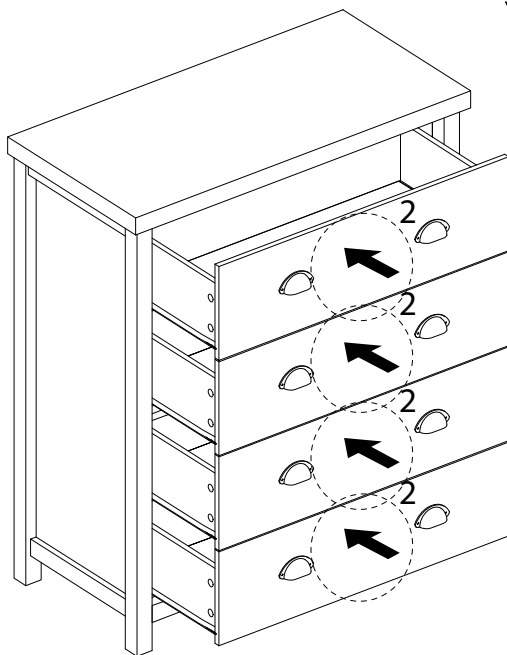
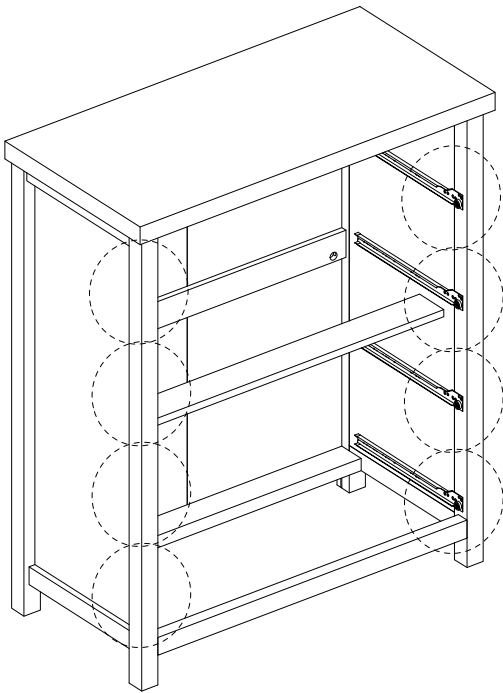
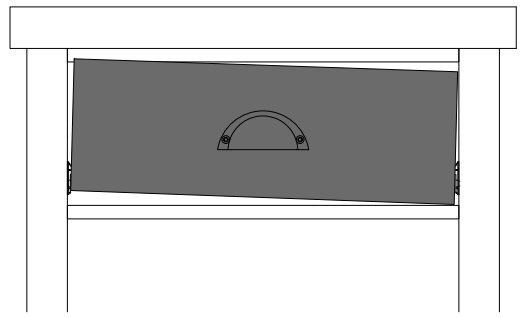
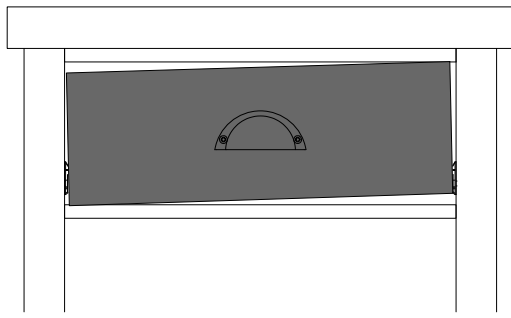
H
M3
x
14
x4



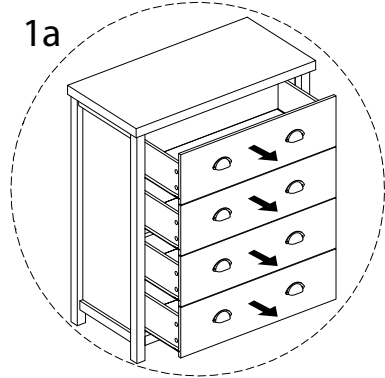
20



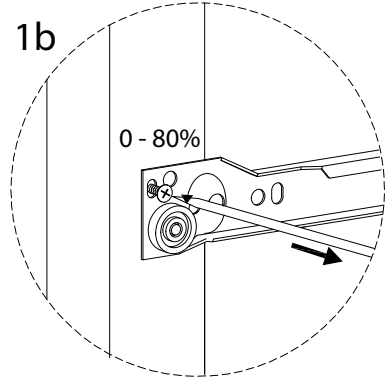
!



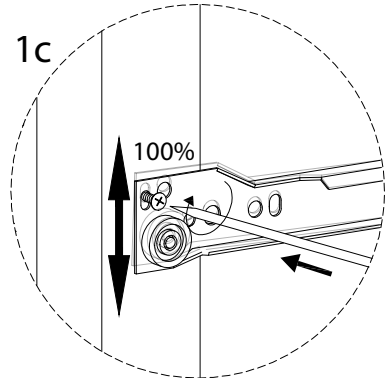
1a



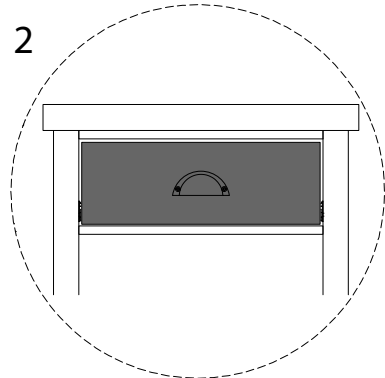
1b



1c

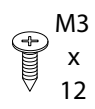


2



21

F



x 8

