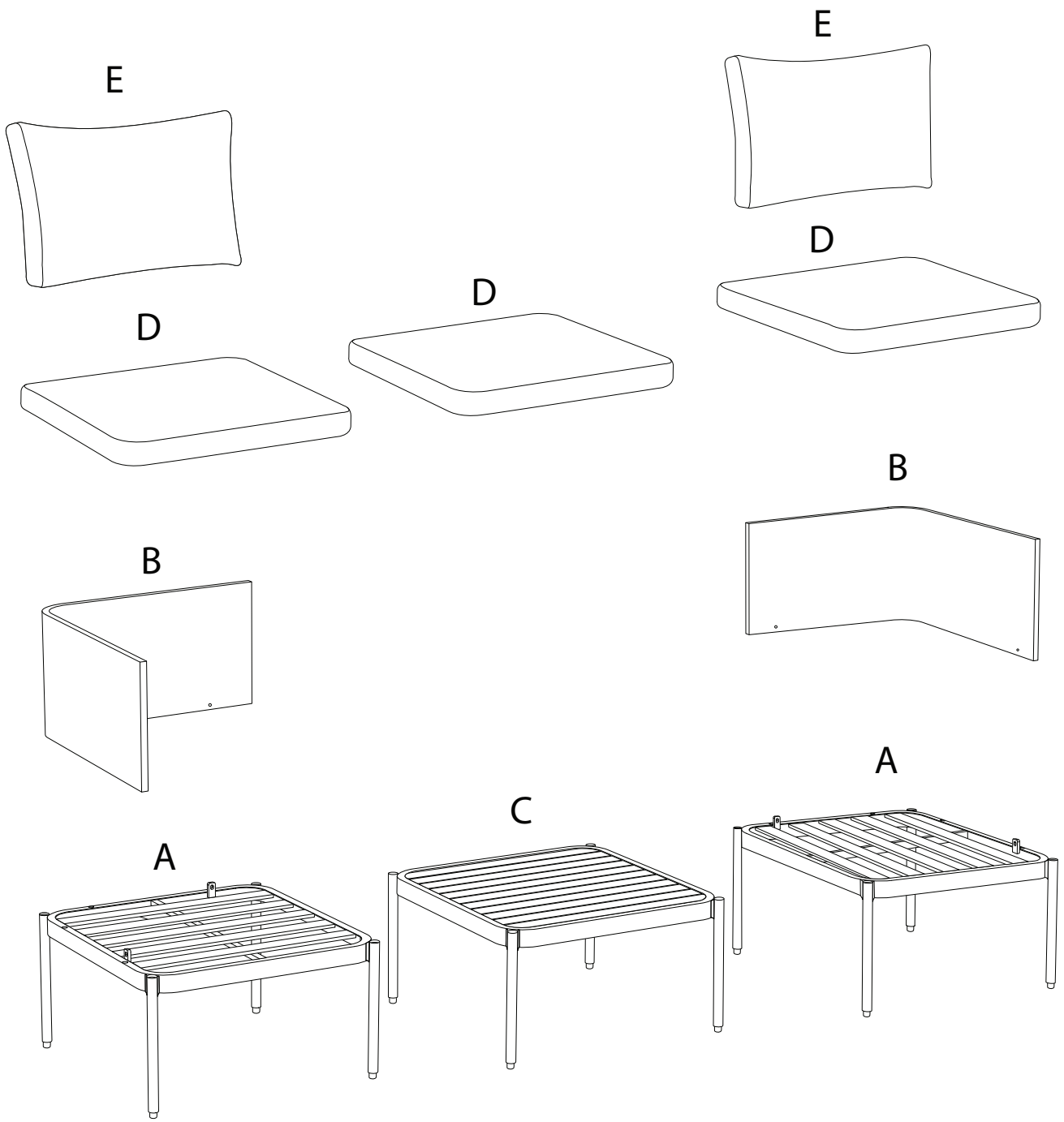

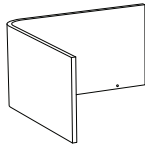

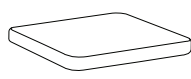


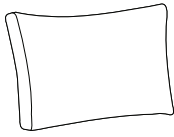
Diagram illustrating assembly instructions and safety warnings:

- Warning 1:** A triangle with an exclamation mark indicates a warning. The associated icon shows an L-shaped metal bracket and a power drill with a diagonal line through it, indicating that a power drill should not be used for this step.
- Warning 2:** A triangle with an exclamation mark indicates a warning. The associated icon shows a rectangular block being placed on a surface with a diagonal line through it, indicating that the block should not be placed on the floor or a soft surface.
- Time:** A clock icon is shown next to the text "20'", indicating that the assembly for this step takes 20 minutes.
- Personnel:** An icon of a person is shown next to the number "2", indicating that two people are required for this step.



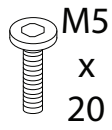
A	B	C	D
			
x 2	x 2	x 1	x 3

E



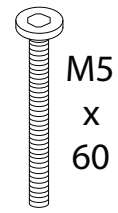
x 2

F



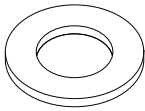
x 4

G



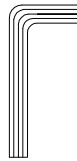
x 8

H



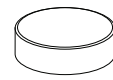
x 12

I



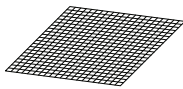
x 1

J



x 4

K



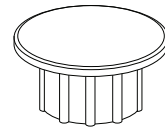
x 2

L



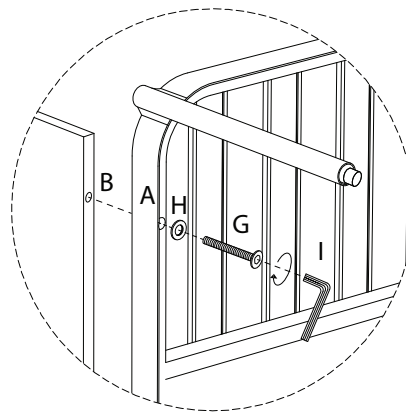
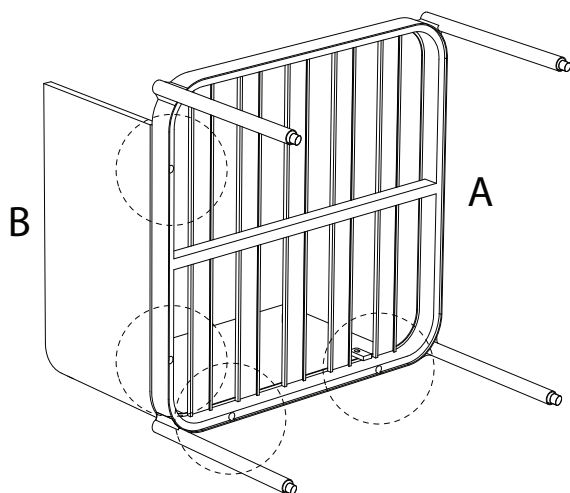
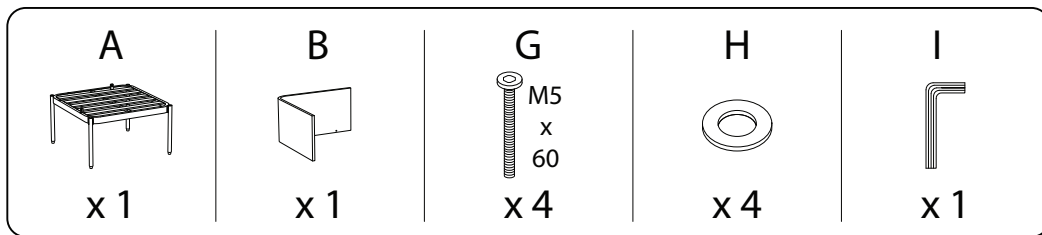
x 4

M

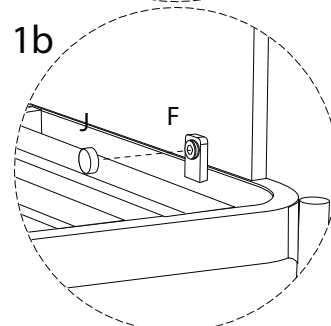
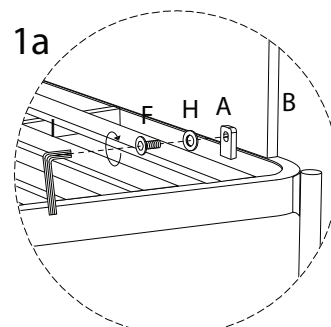
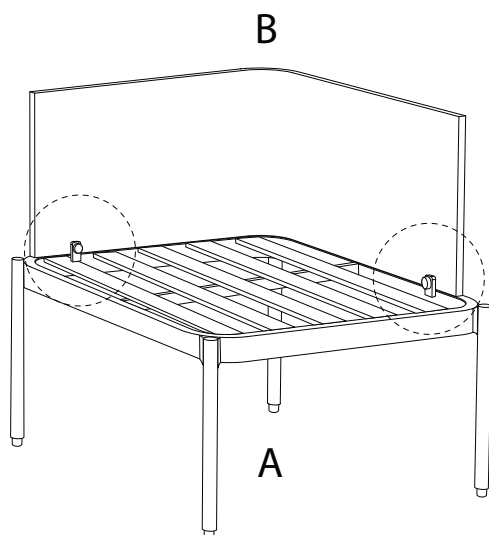
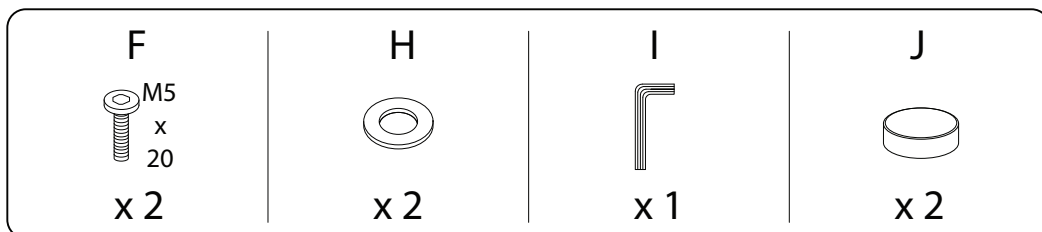


x 8

1 x 2

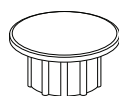


2 x 2

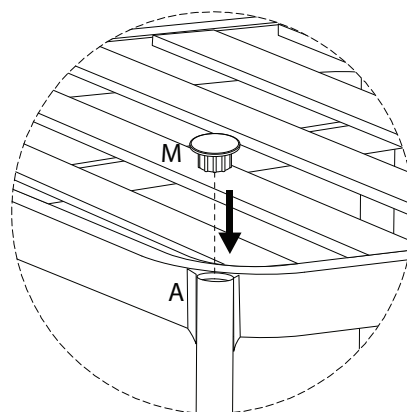
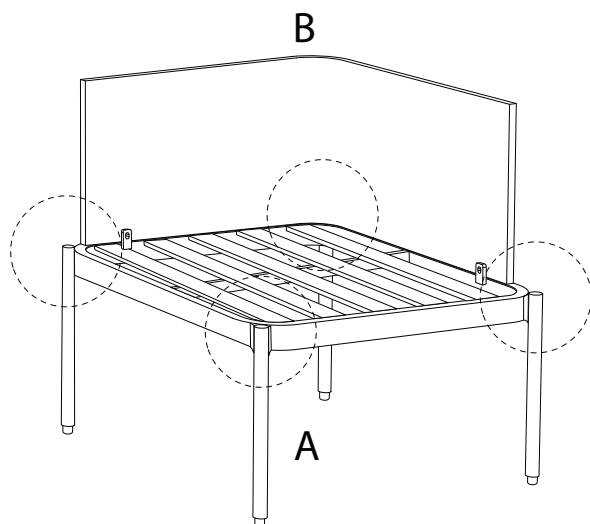


3 x 2

M



x 4



4

C

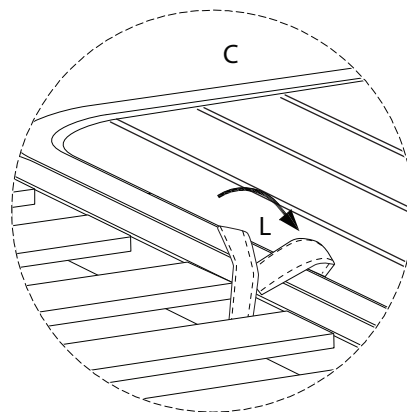
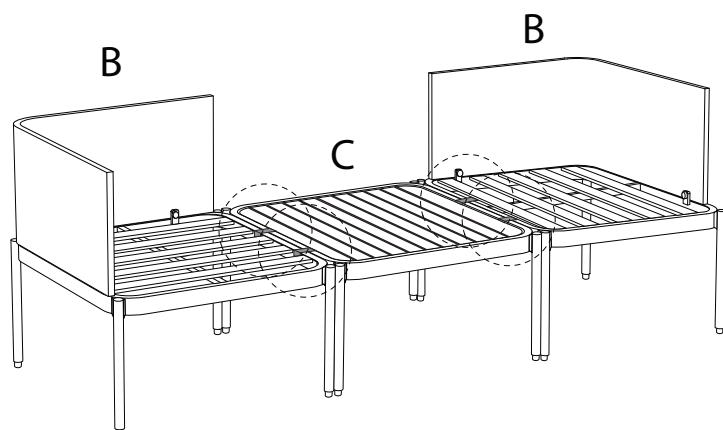


x 1

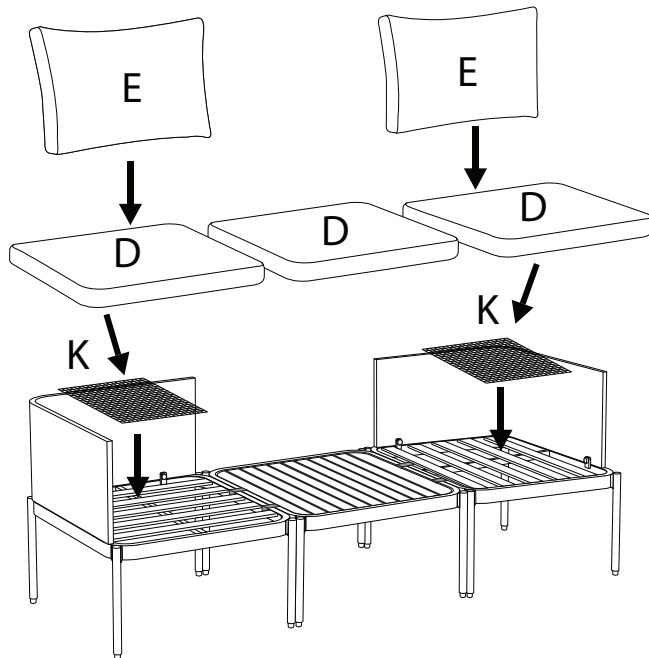
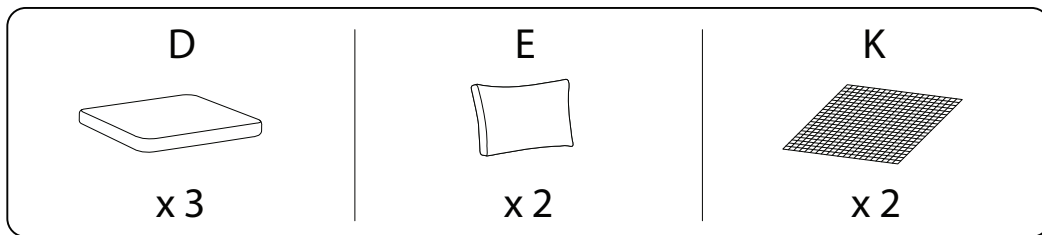
L



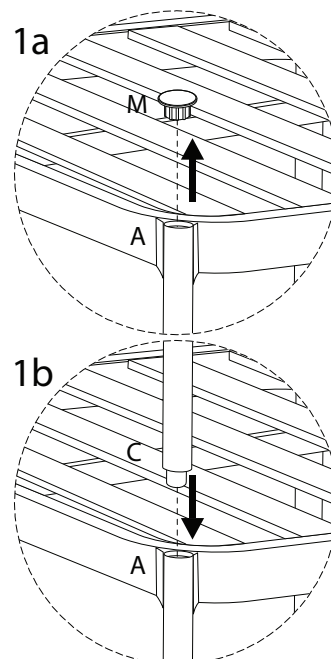
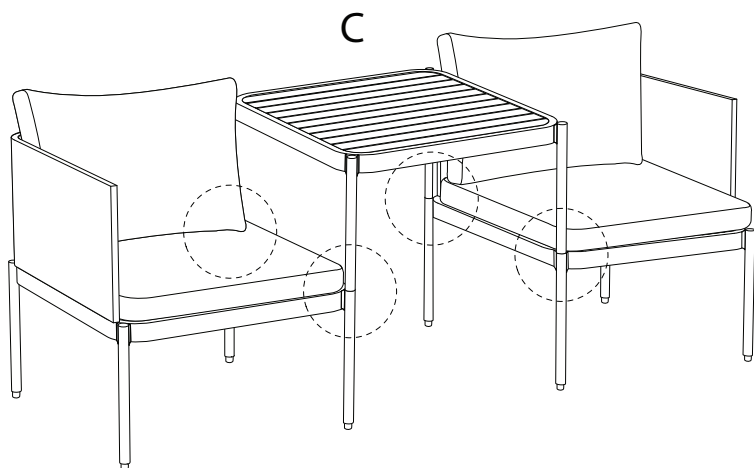
x 4



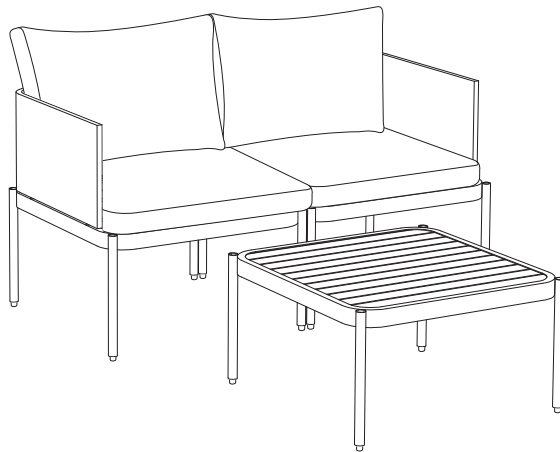
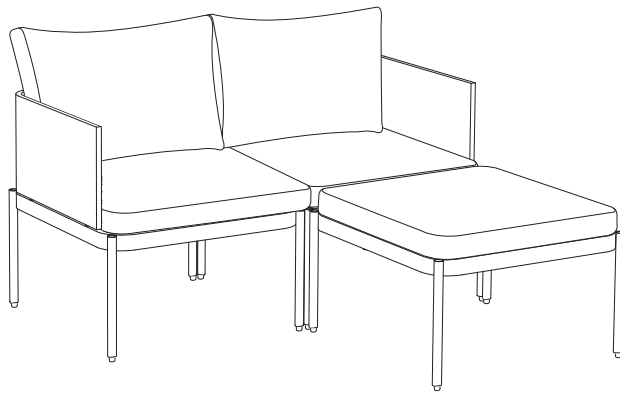
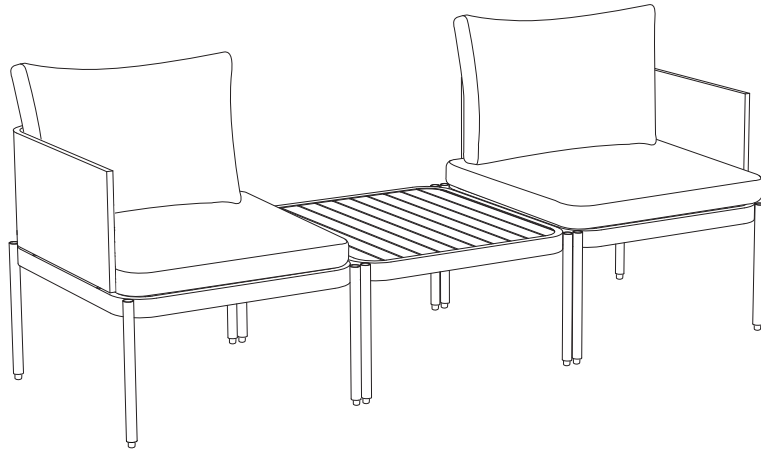
5



!



!



!

