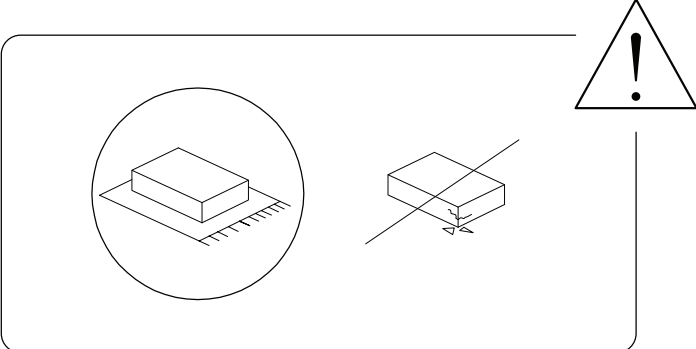
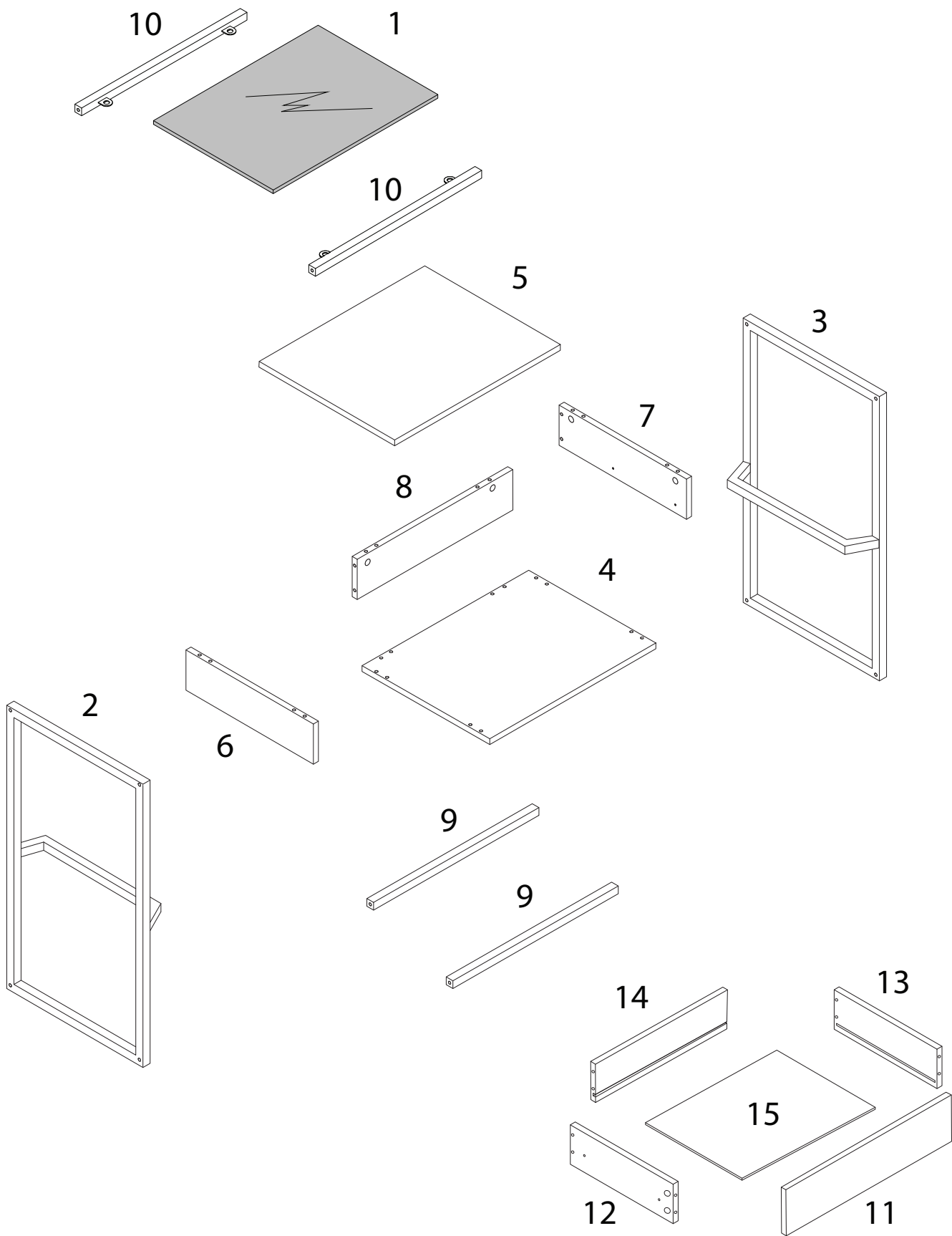
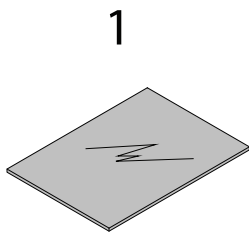


60'

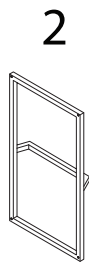


2

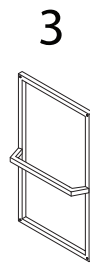




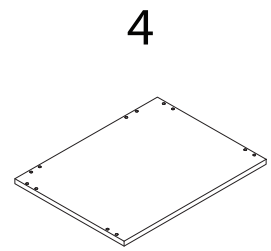
x 1



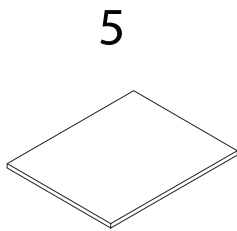
x 1



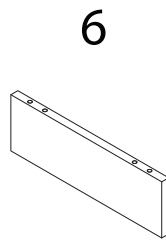
x 1



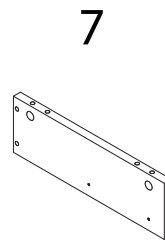
x 1



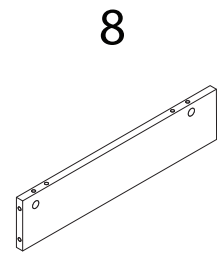
x 1



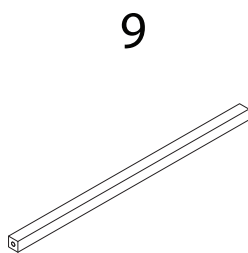
x 1



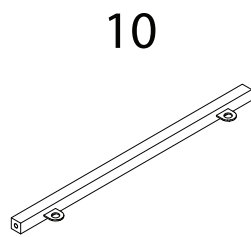
x 1



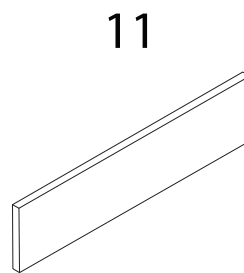
x 1



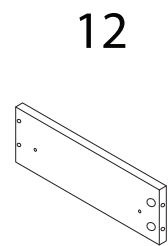
x 2



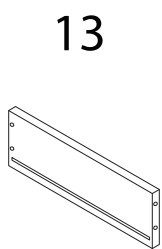
x 2



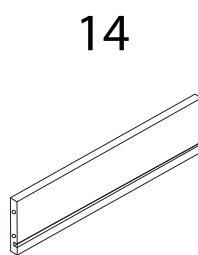
x 1



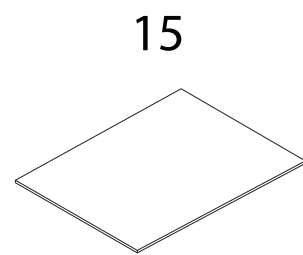
x 1



x 1

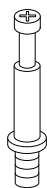


x 1



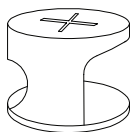
x 1

A



x 10

B



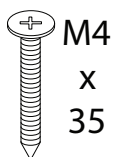
x 10

C



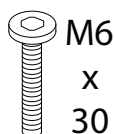
x 16

D



x 10

E



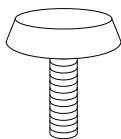
x 8

F



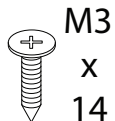
x 4

G



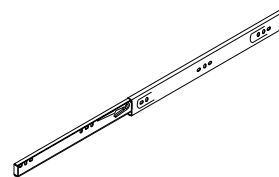
x 4

H



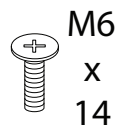
x 8

I



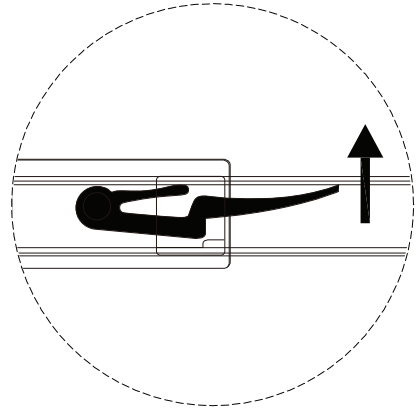
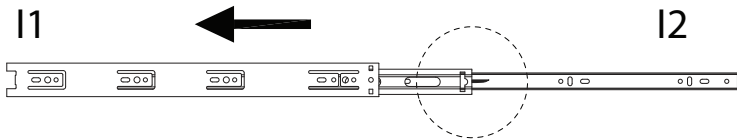
x 2

J

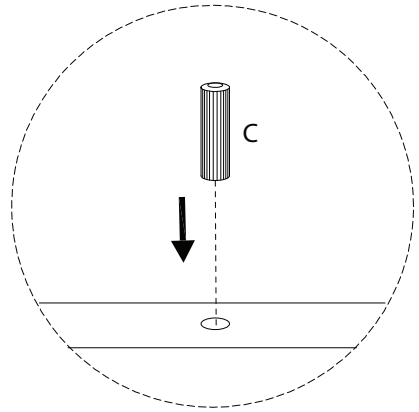
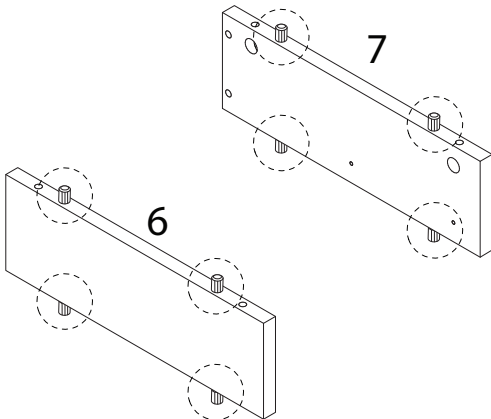
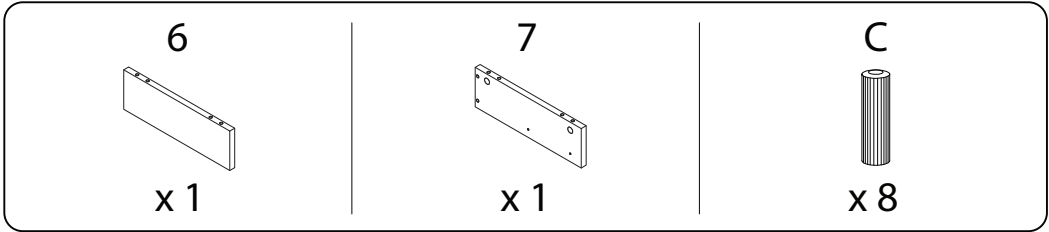


x 4

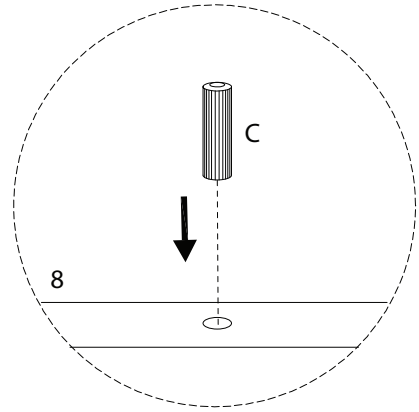
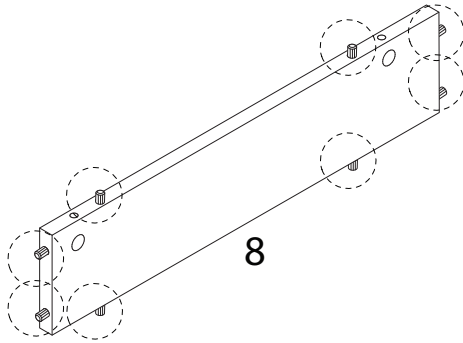
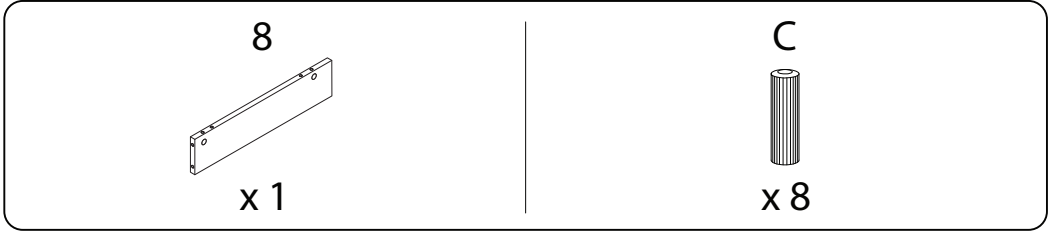
!



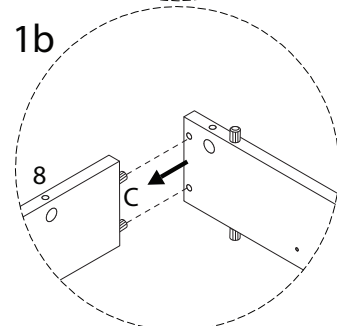
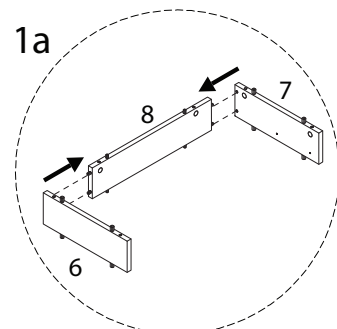
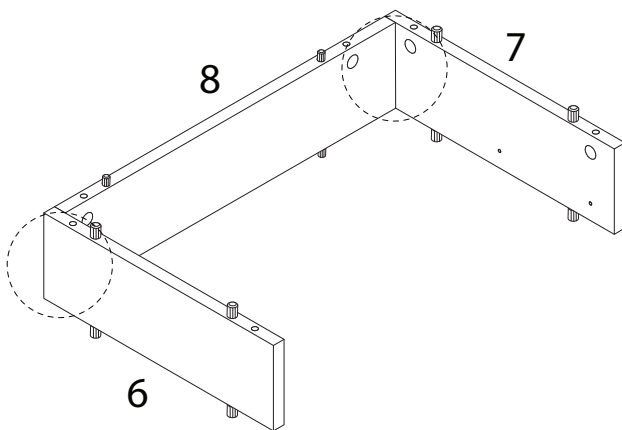
1



2

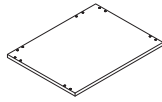


3



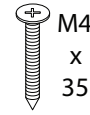
4

4

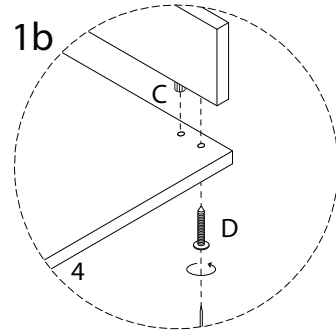
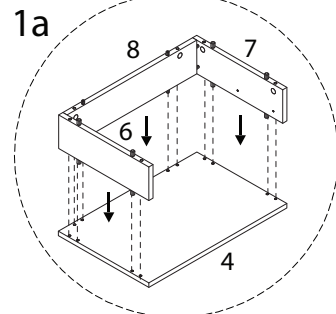
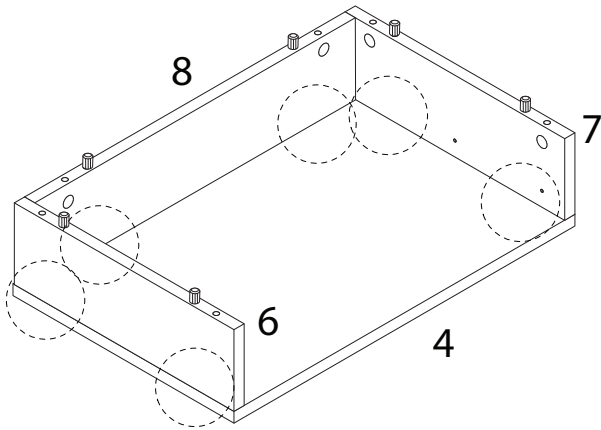


x 1

D

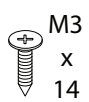


x 6



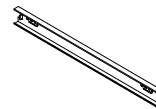
5

H

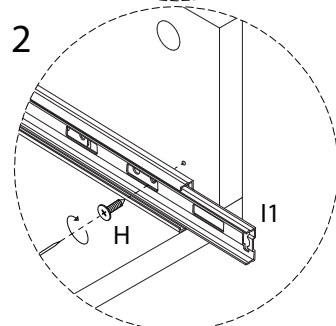
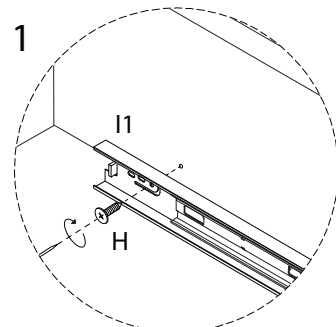
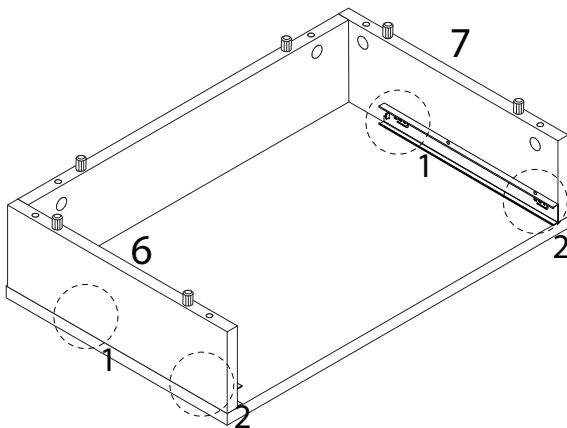


x 4

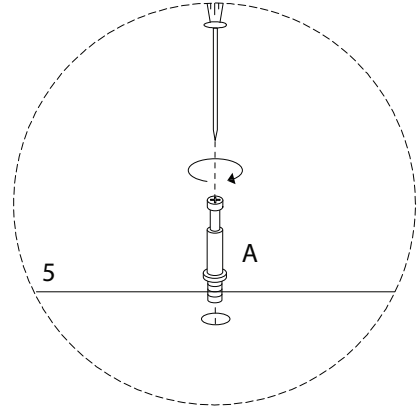
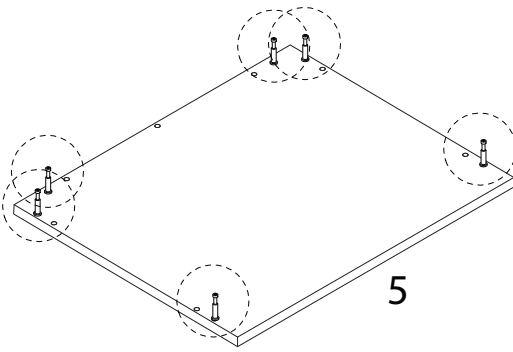
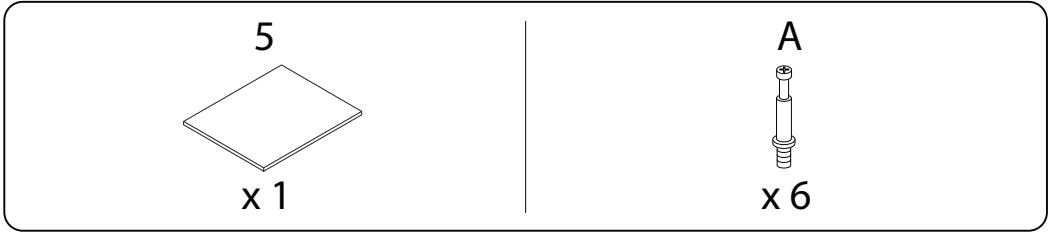
I1



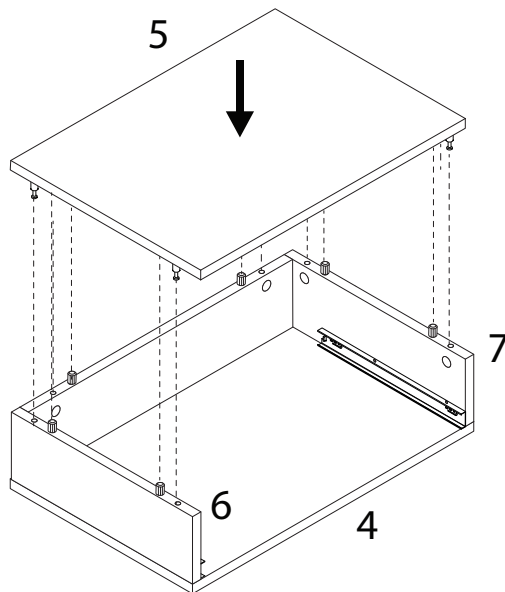
x 2



6



7

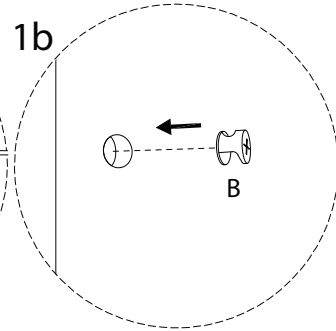
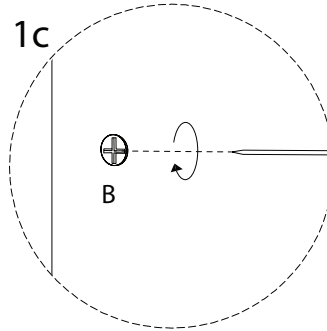
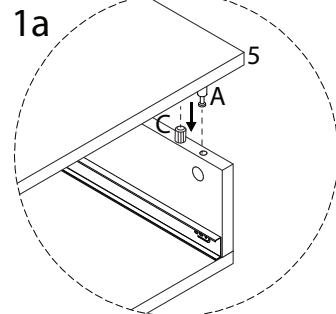
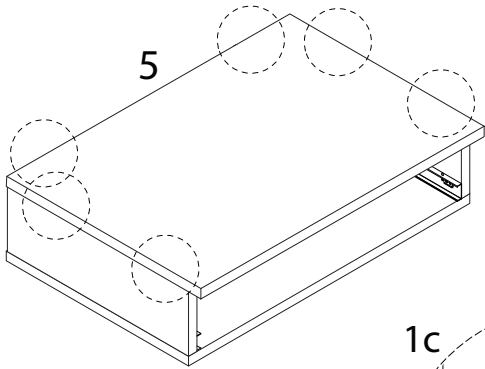


8

B

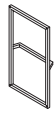


x 6



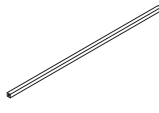
9

2



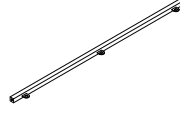
x 1

9



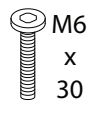
x 2

10

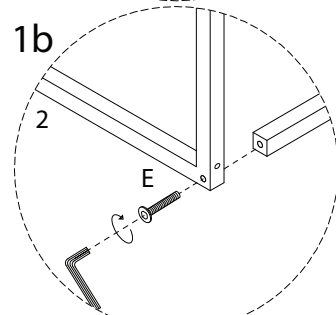
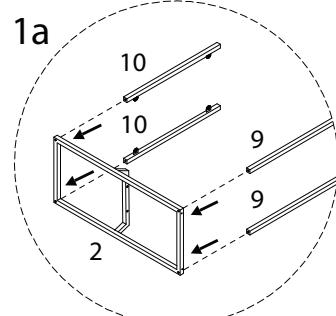
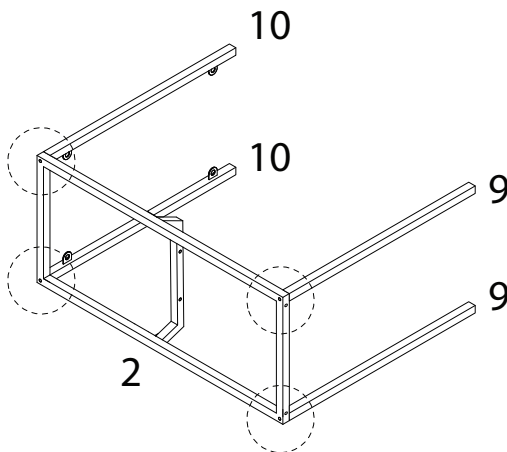


x 2

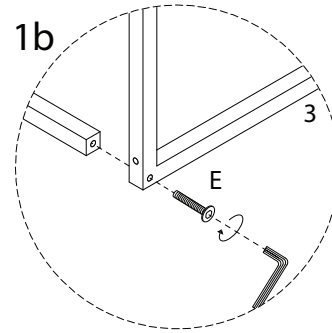
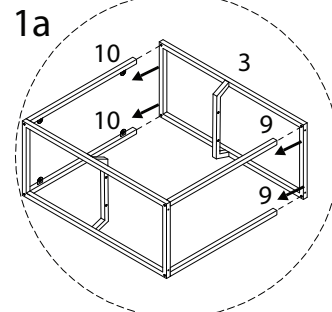
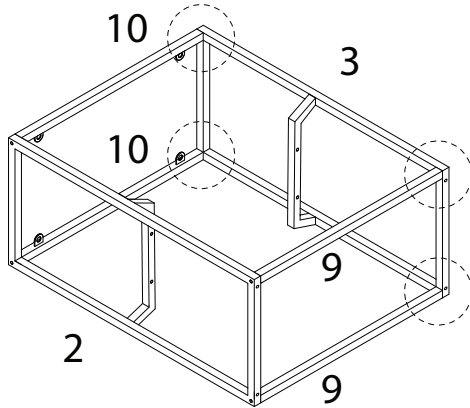
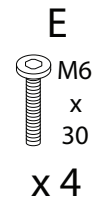
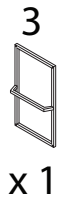
E



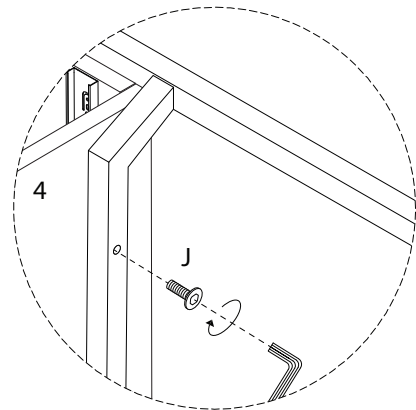
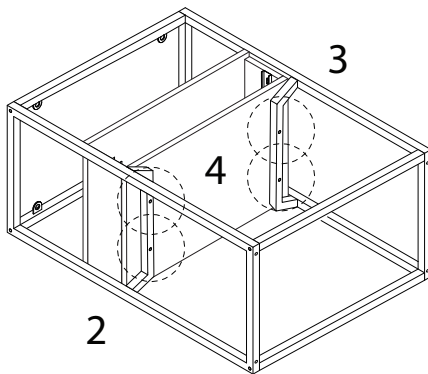
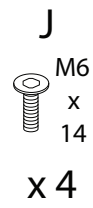
x 4



10



11

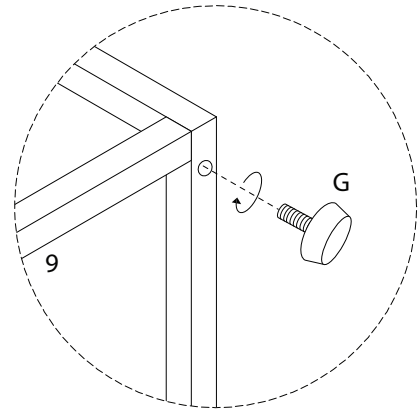
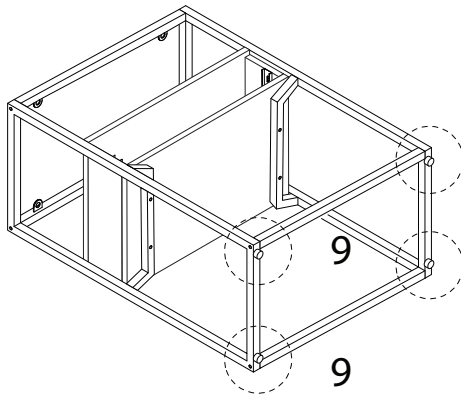


12

G

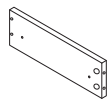


x 4



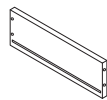
13

12



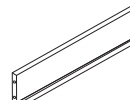
x 1

13



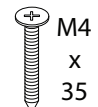
x 1

14



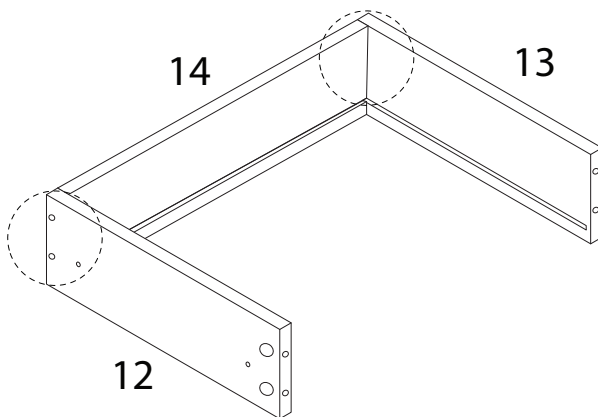
x 1

D

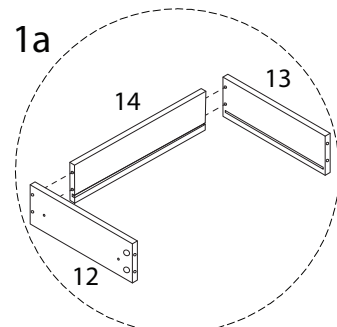


M4
x
35

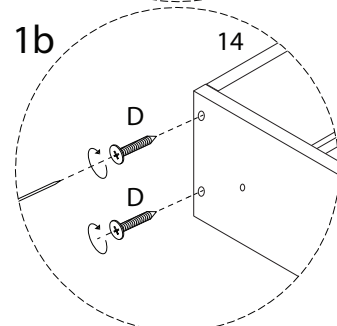
x 4



1a

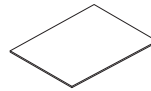


1b

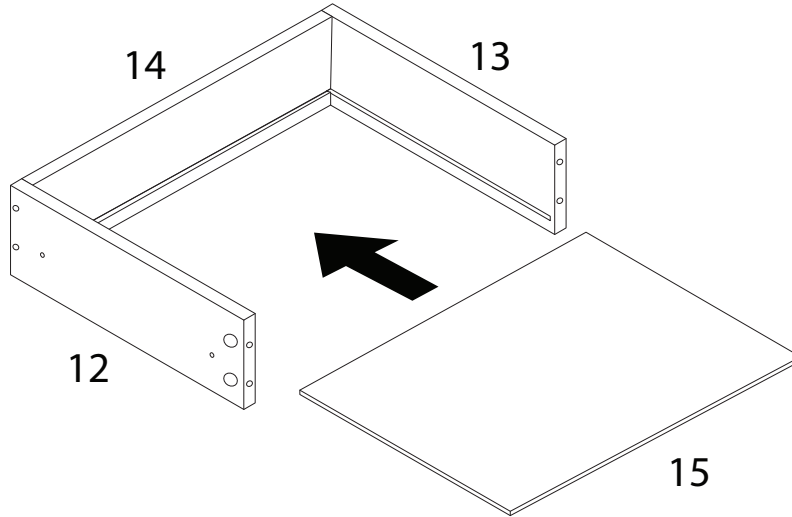


14

15

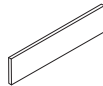


x 1



15

11

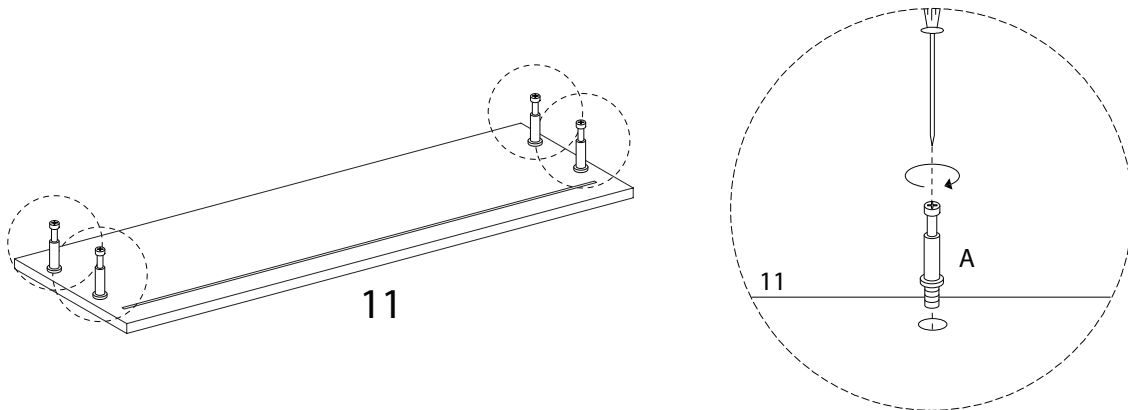


x 1

A



x 4

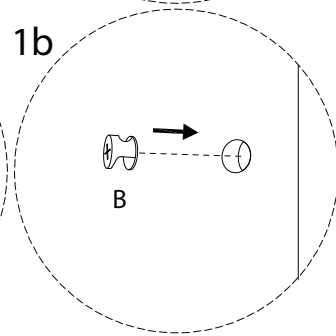
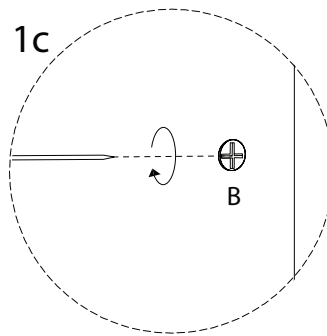
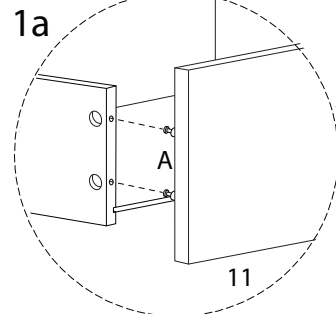
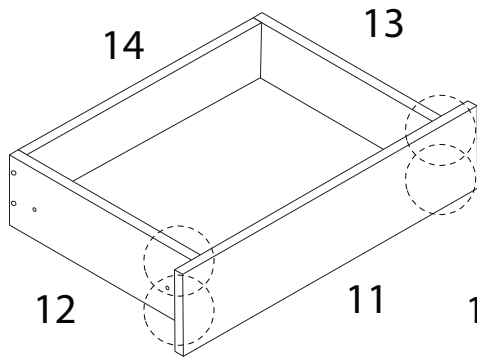


16

B



x 4



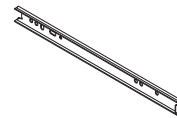
17

H

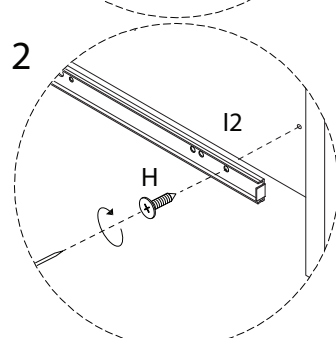
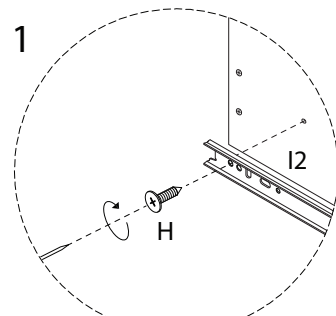
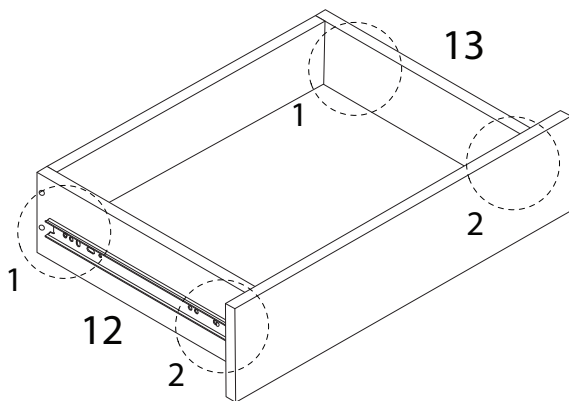


x 4

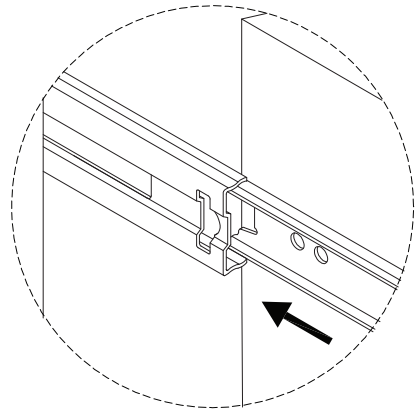
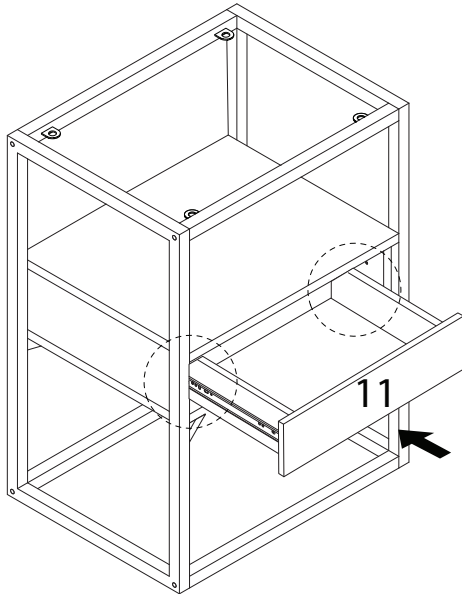
I2



x 2



18

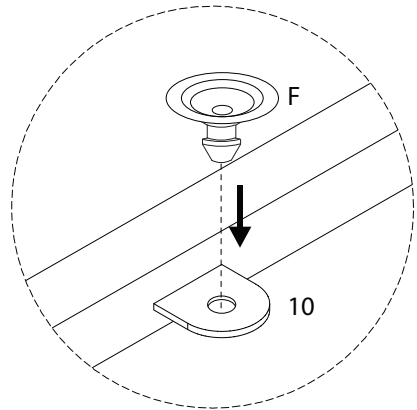
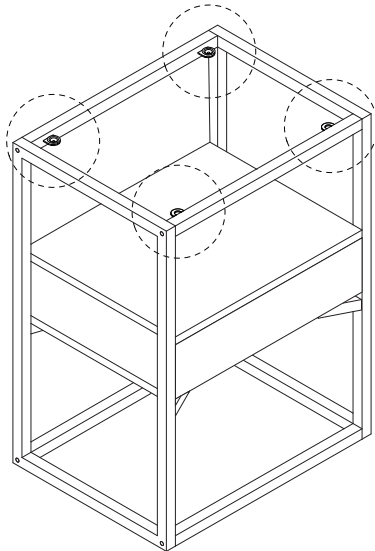


19

F

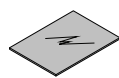


x 4



20

1



x 1

1

