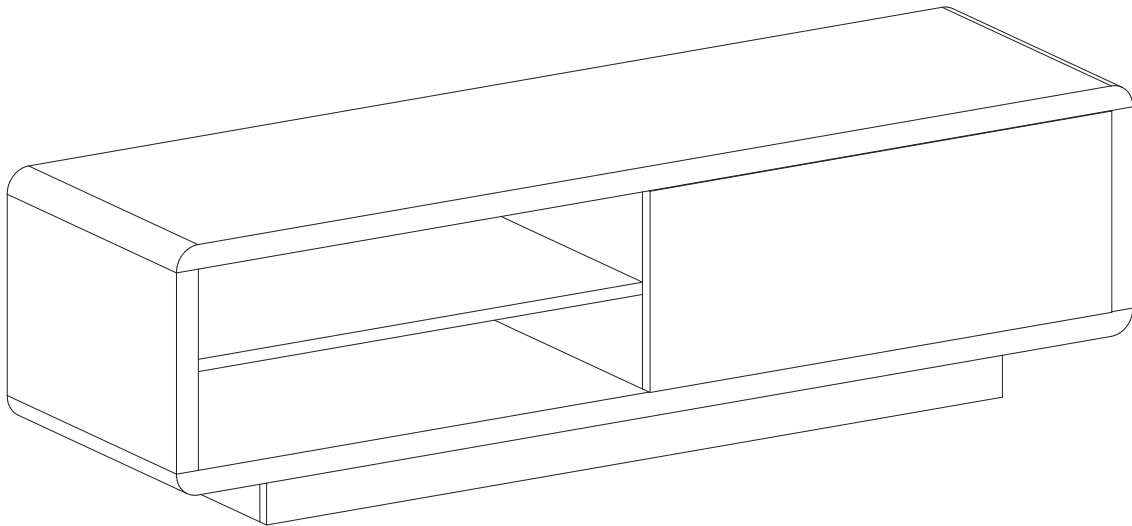
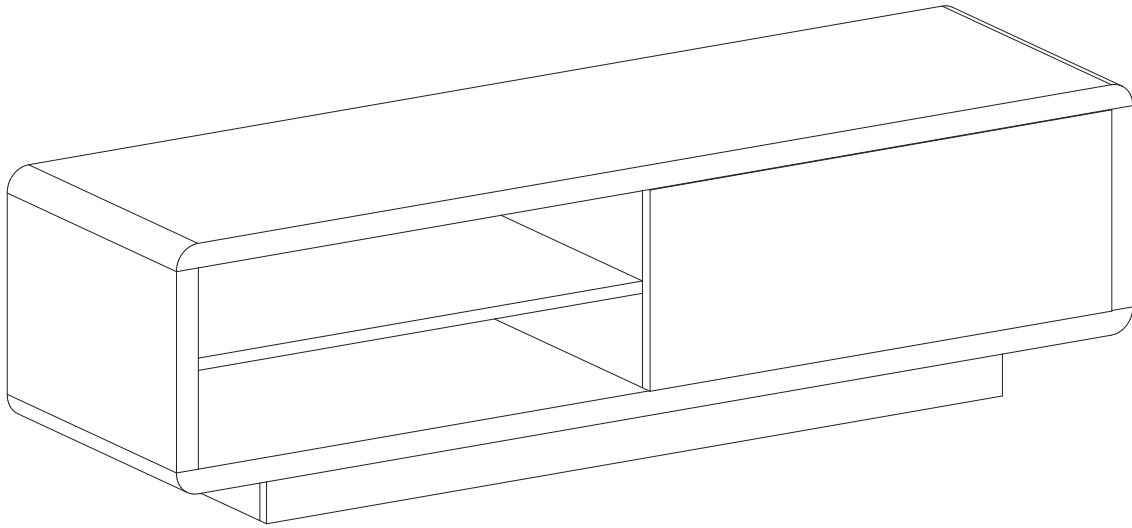


ANTONIC





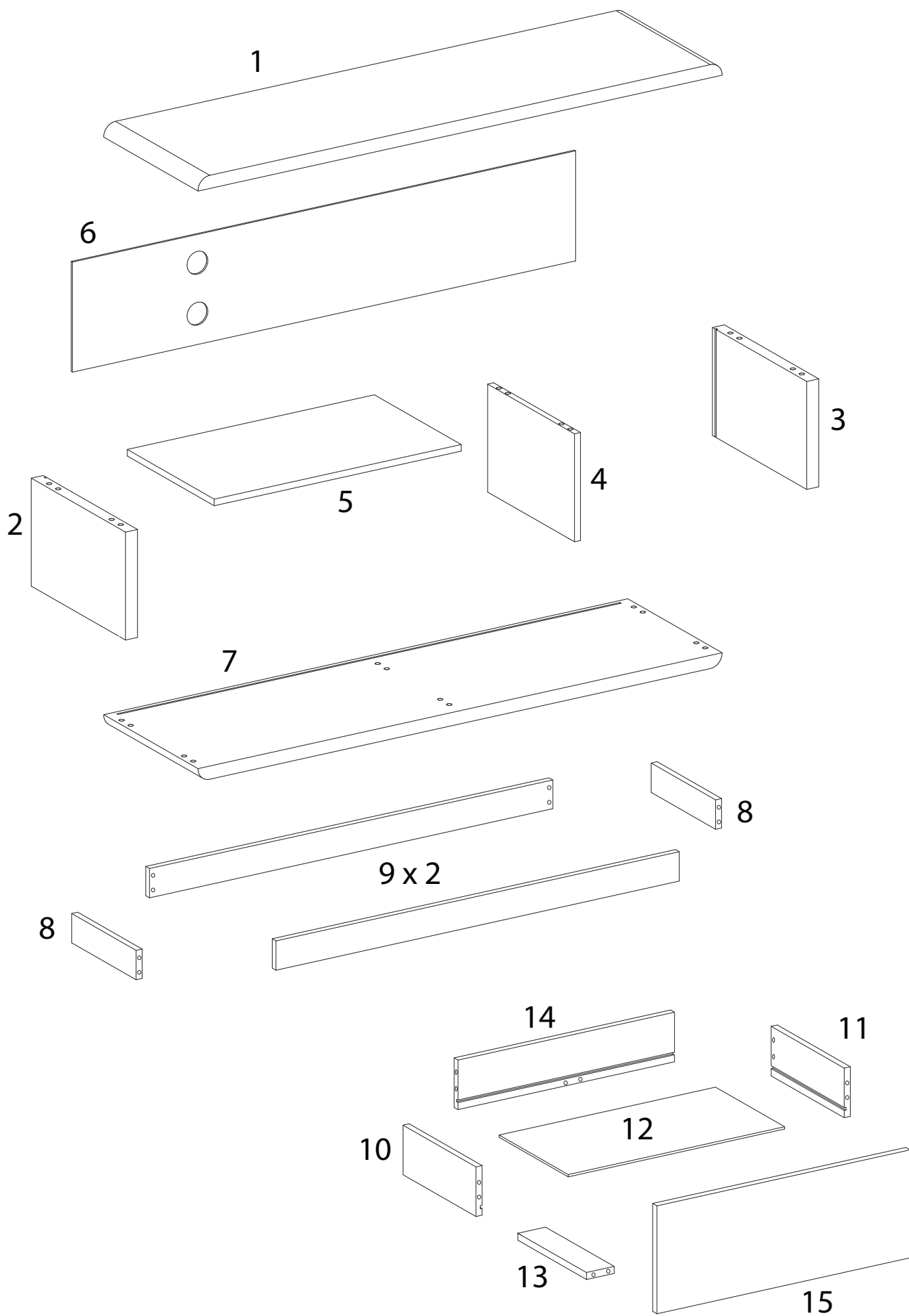
Assembly instructions for the TV stand, including tool requirements, time, and personnel.

Tools: A circle containing a screwdriver and a hex key, and a crossed-out power drill icon, with a warning triangle above.

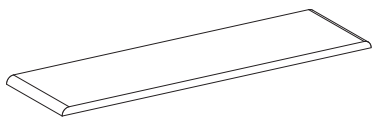
Time: A clock icon with the text **60'** below it.

Personnel: A person icon with the text **2** below it.

Preparation: A circle containing a block on a mat and a crossed-out block on a surface, with a warning triangle above.

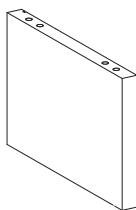


1



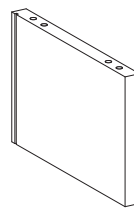
x 1

2



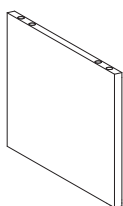
x 1

3



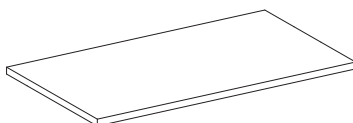
x 1

4



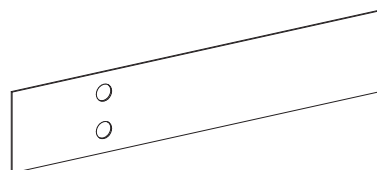
x 1

5



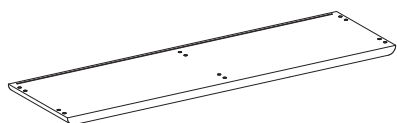
x 1

6



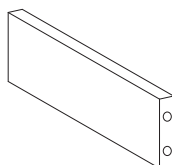
x 1

7



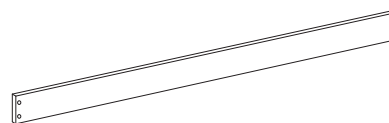
x 1

8



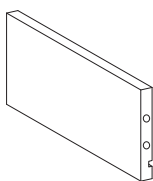
x 2

9



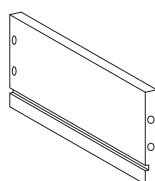
x 2

10



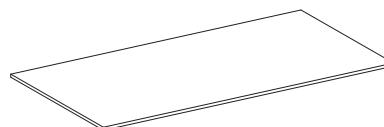
x 1

11



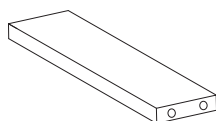
x 1

12



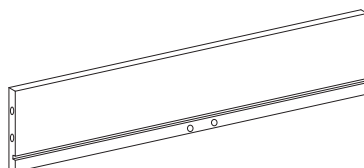
x 1

13



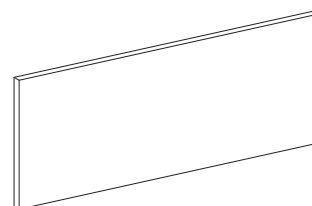
x 1

14



x 1

15



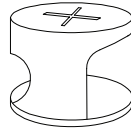
x 1

A1



x 32

A2



x 32

B



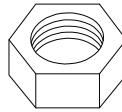
x 12

C



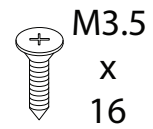
x 4

D



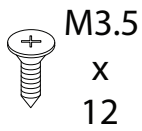
x 4

E



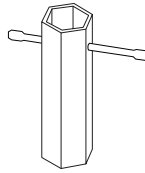
x 8

F



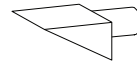
x 8

G



x 1

H



x 4

I1



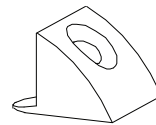
x 2

I2



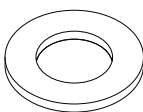
x 2

J



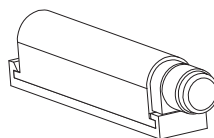
x 6

K



x 4

L



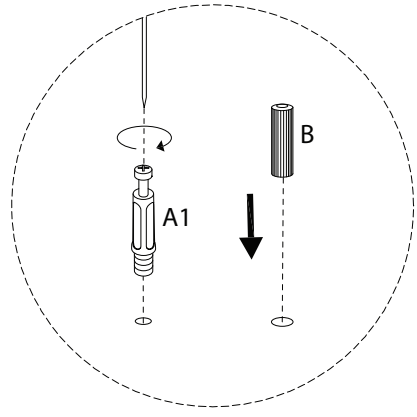
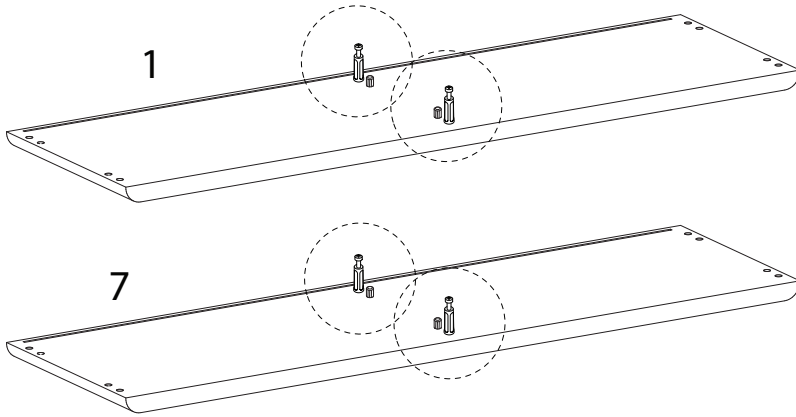
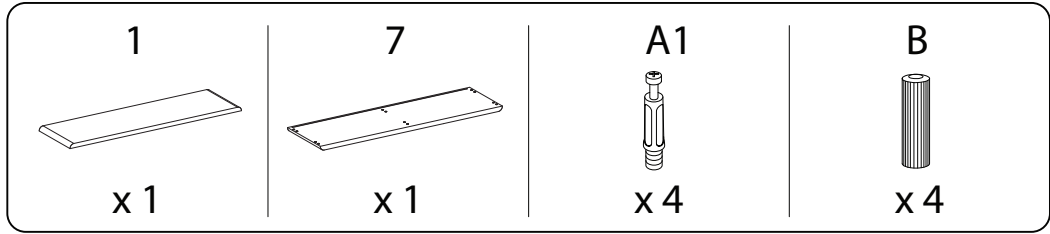
x 1

M

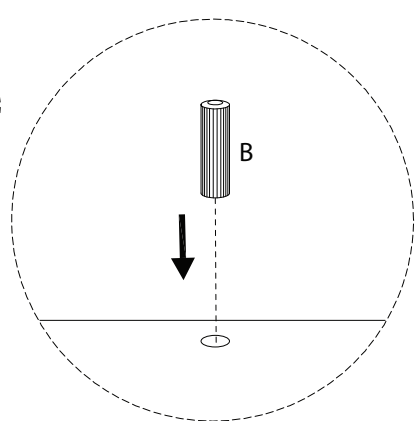
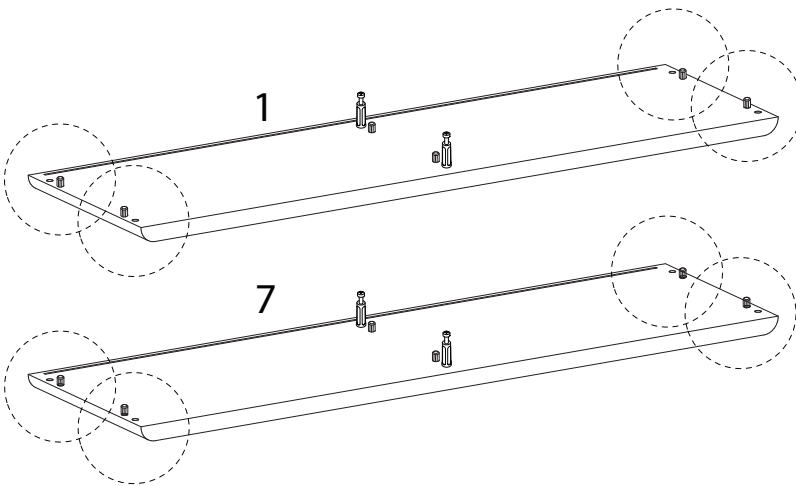
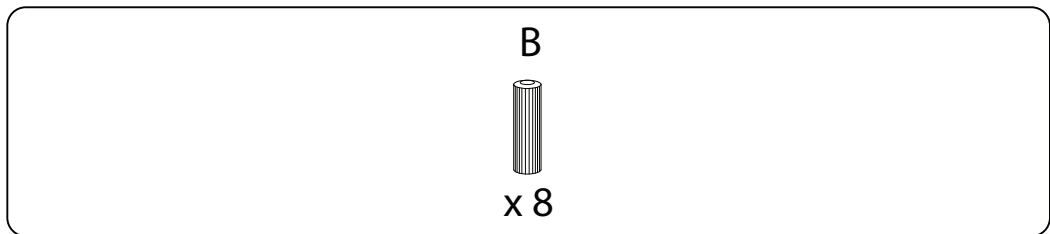


x 2

1

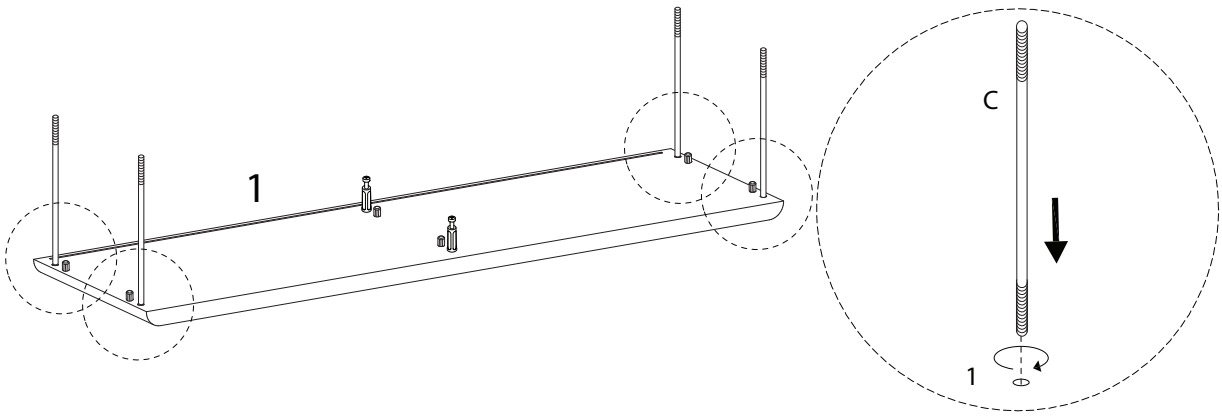


2



3

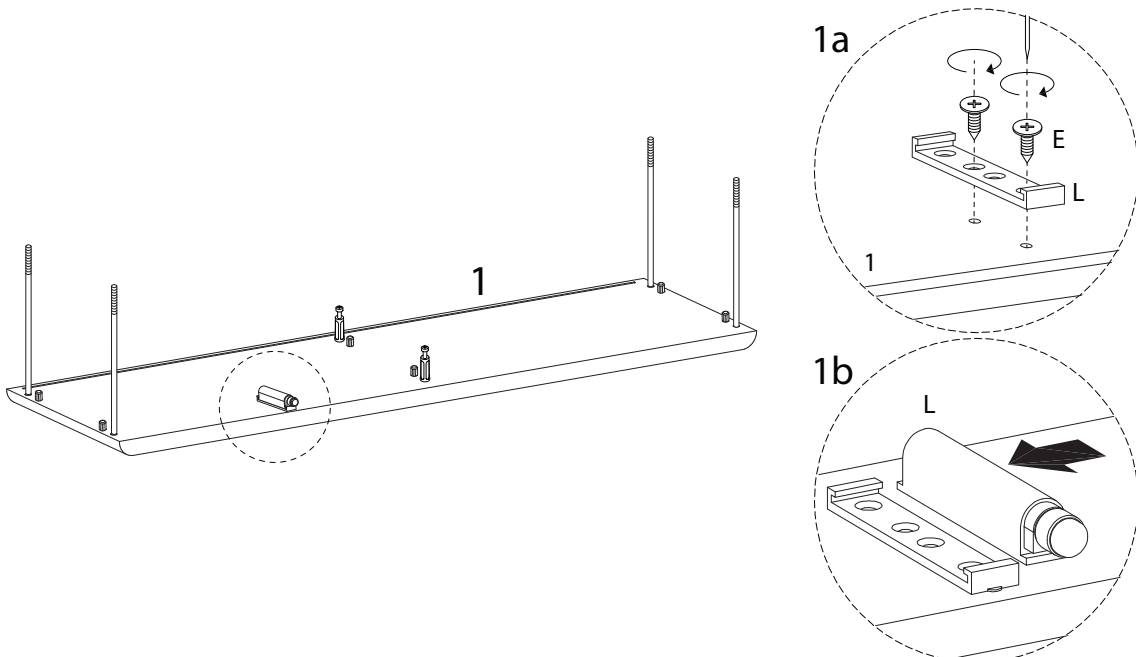
C
x 4



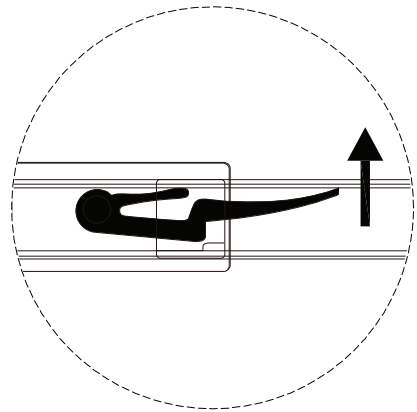
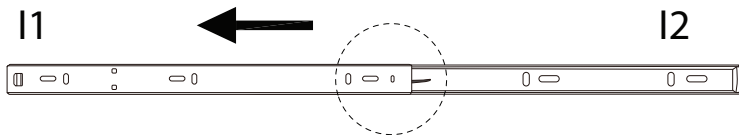
4

E
M3.5
x
16
x 2

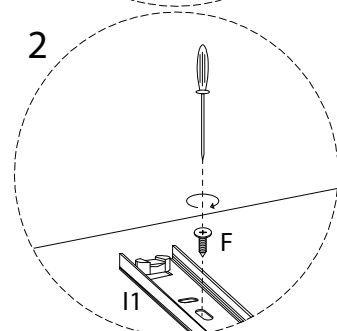
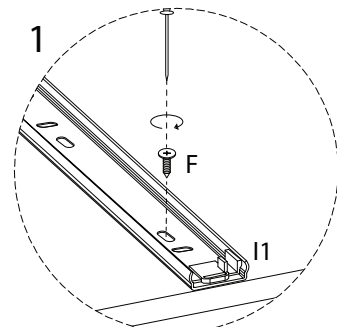
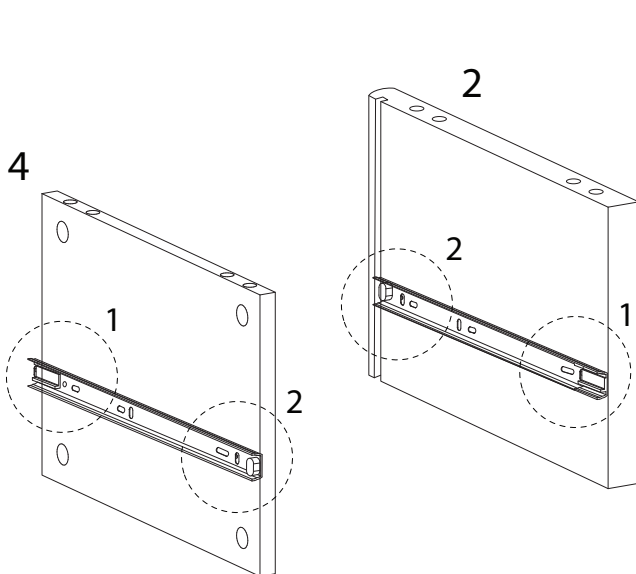
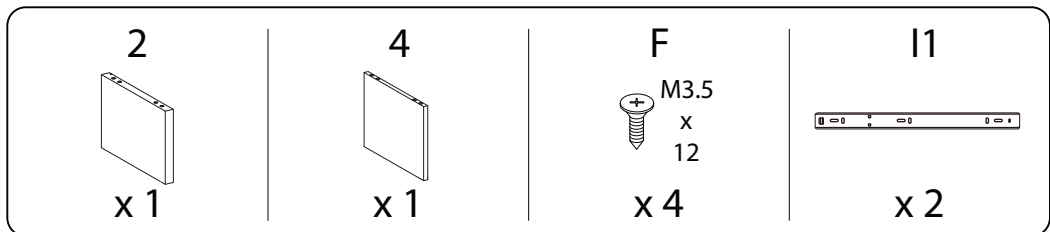
L
x 1



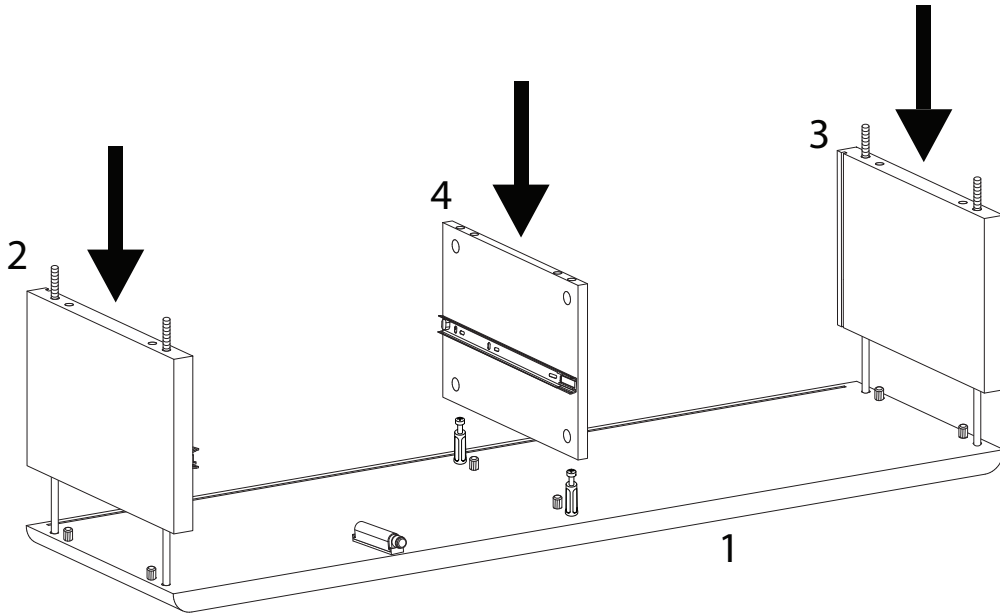
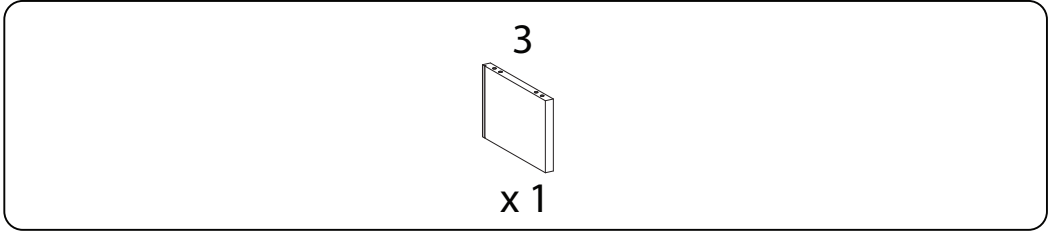
!



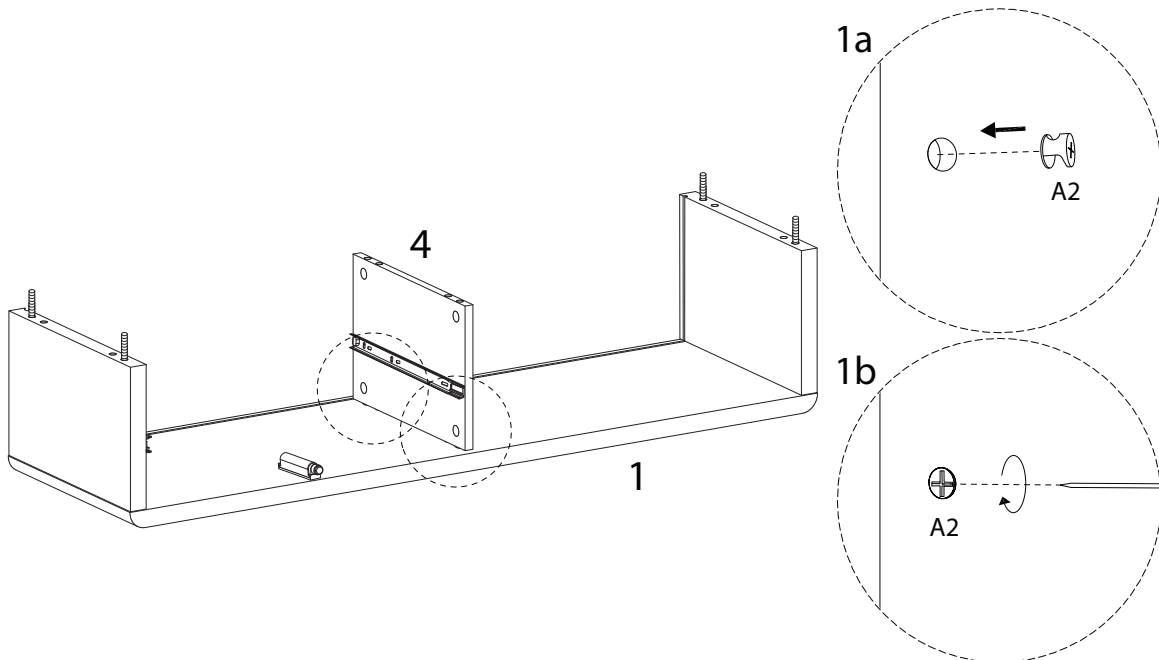
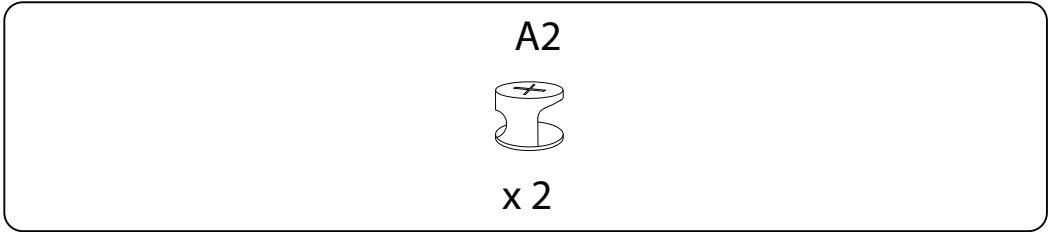
5



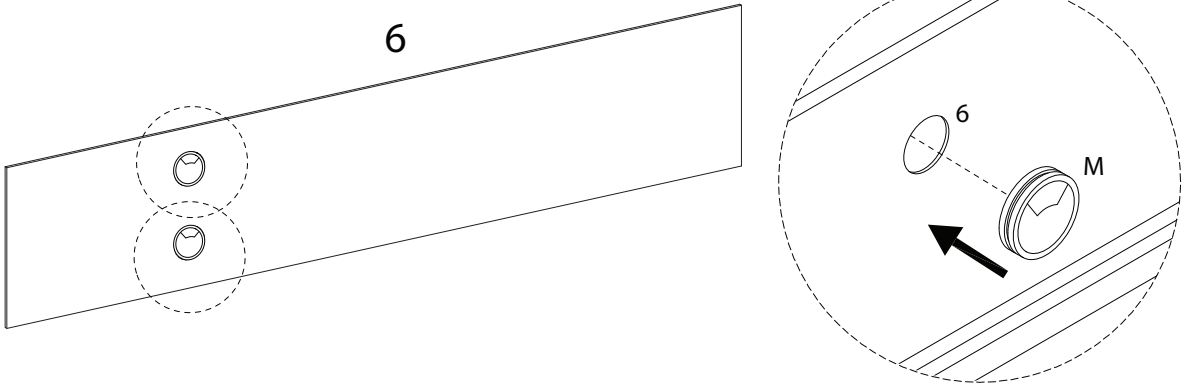
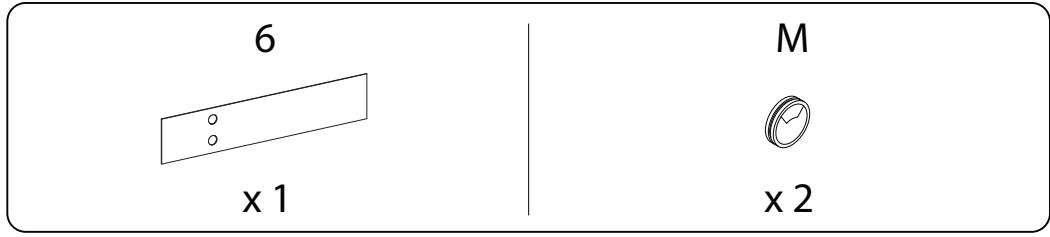
6



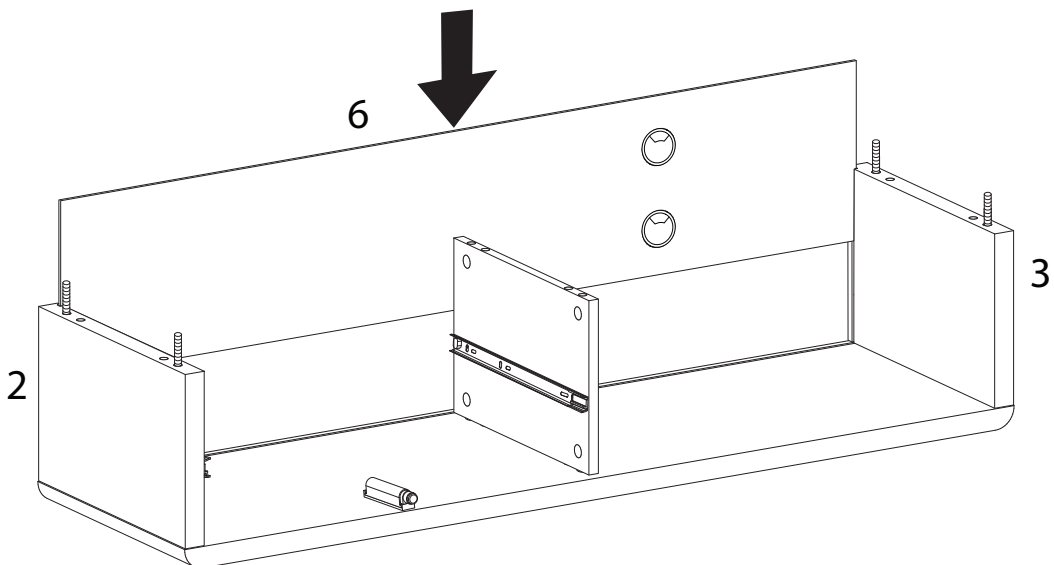
7



8



9



10

D



x 4

G

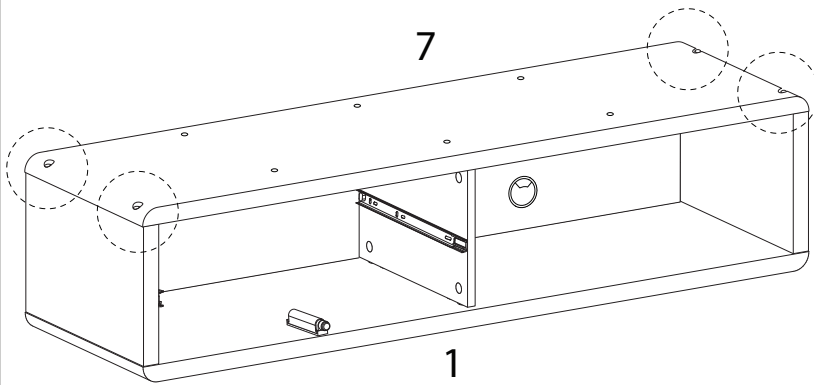


x 1

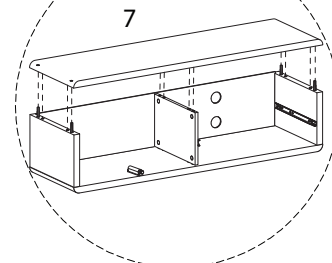
K



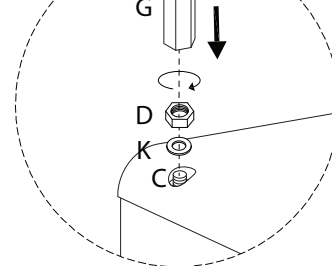
x 4



1a



1b

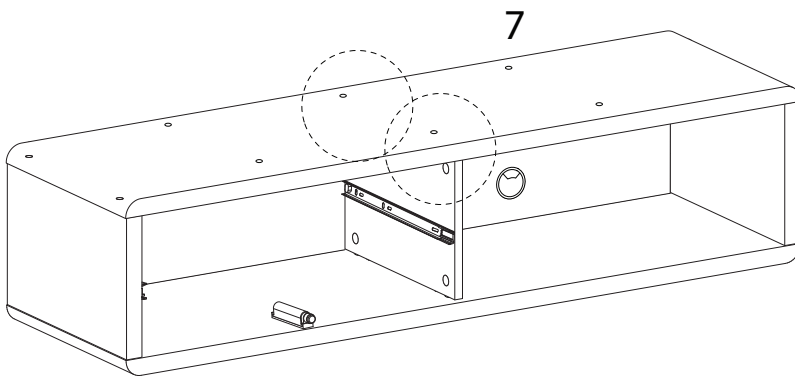


11

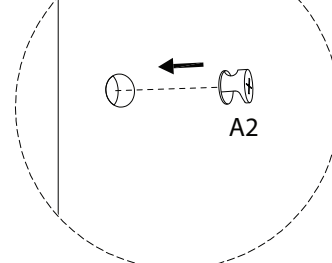
A2



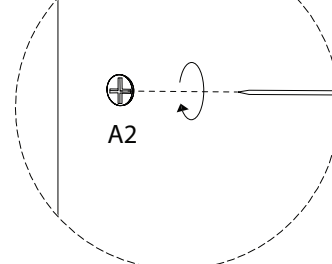
x 2



1a

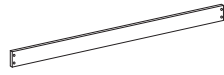


1b



12

9

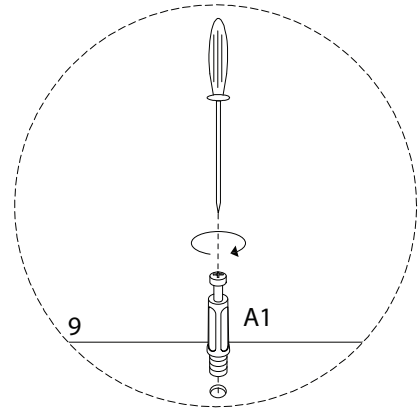
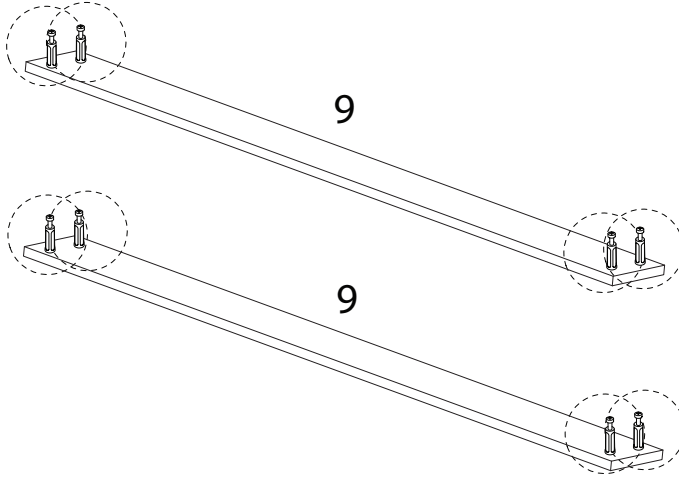


x 2

A1

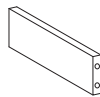


x 8



13

8

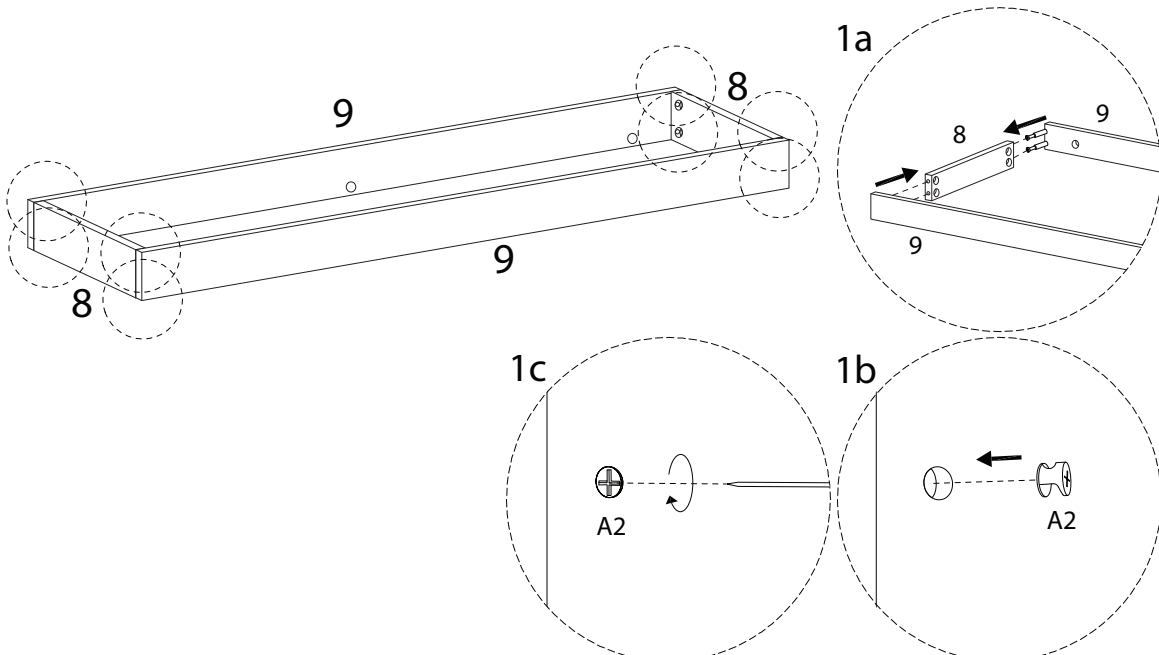


x 2

A2



x 8

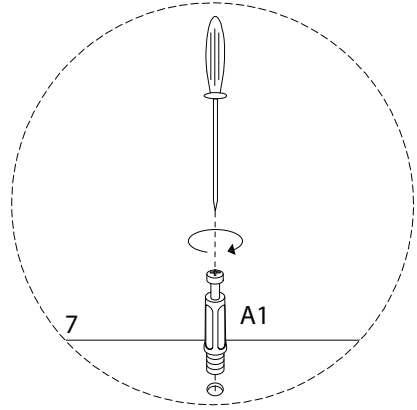
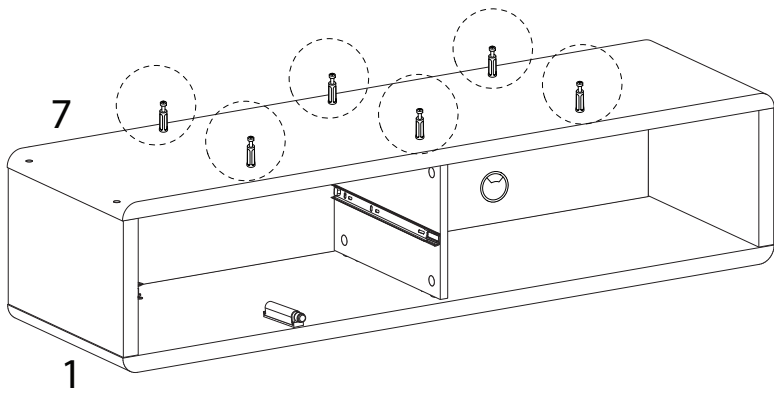


14

A1



x 6

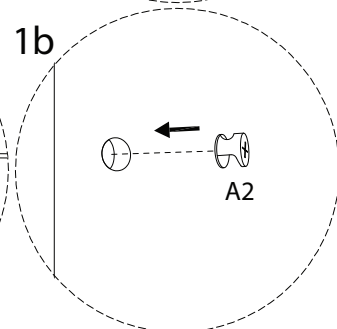
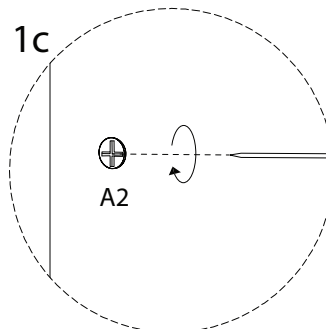
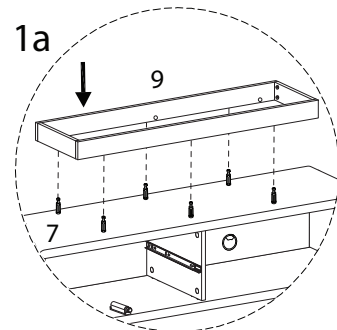
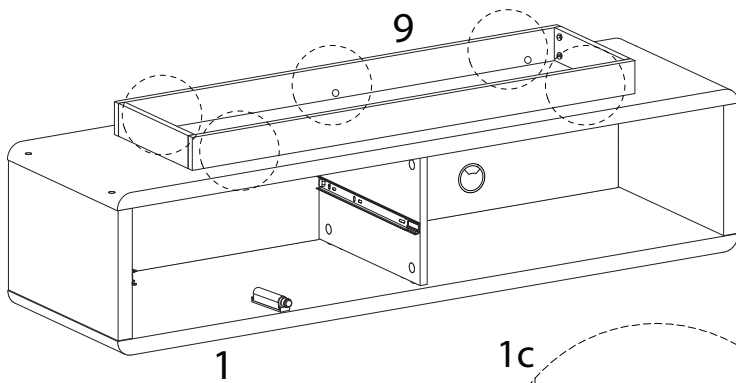


15

A2

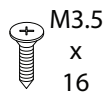


x 6



16

E

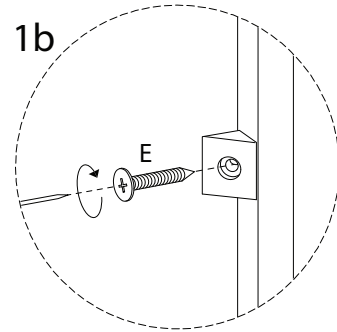
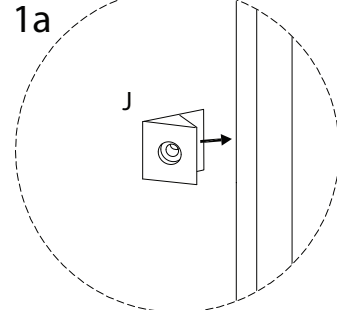
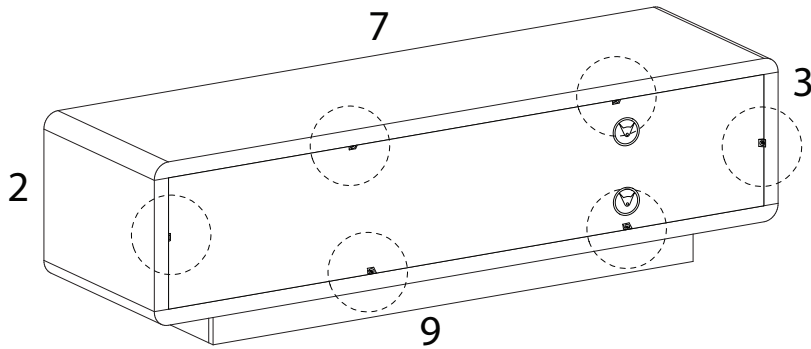


x 6

J



x 6

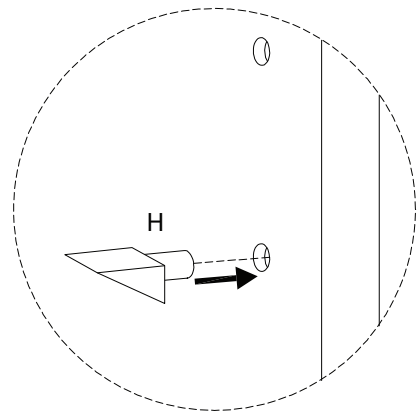
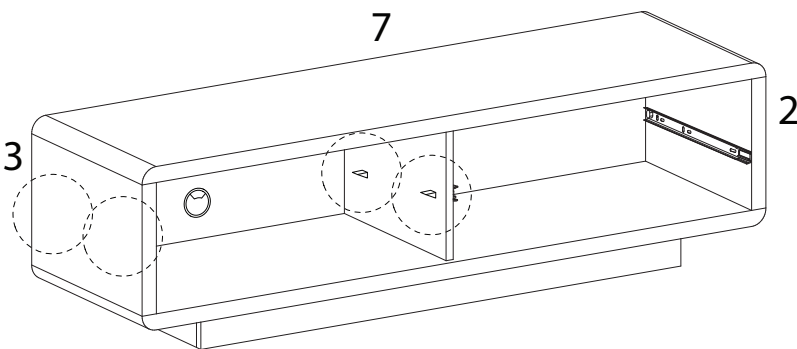


17

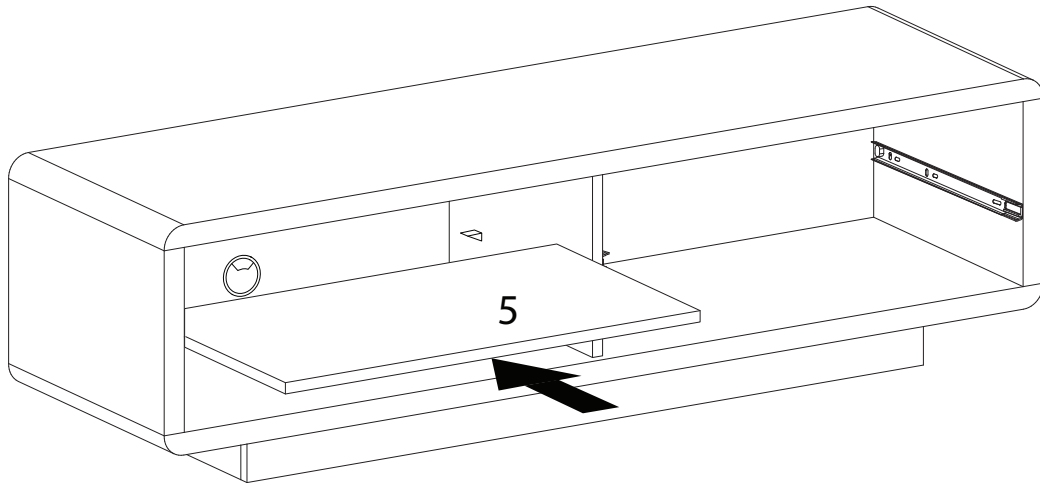
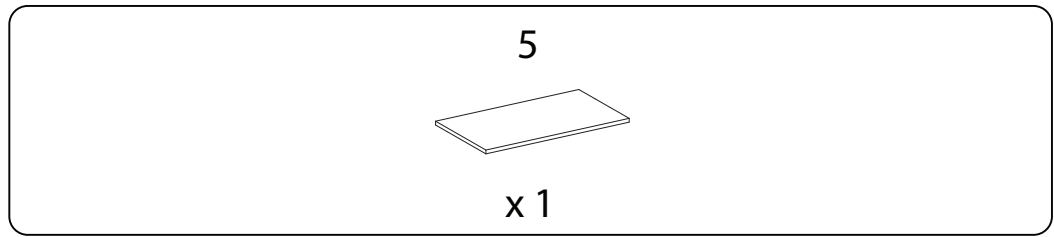
H



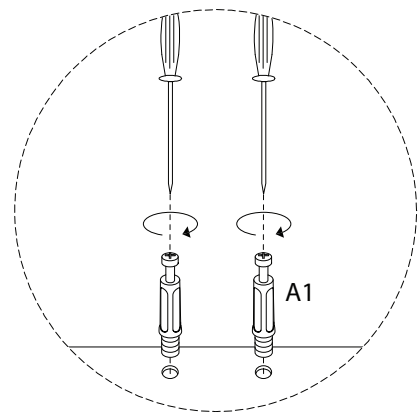
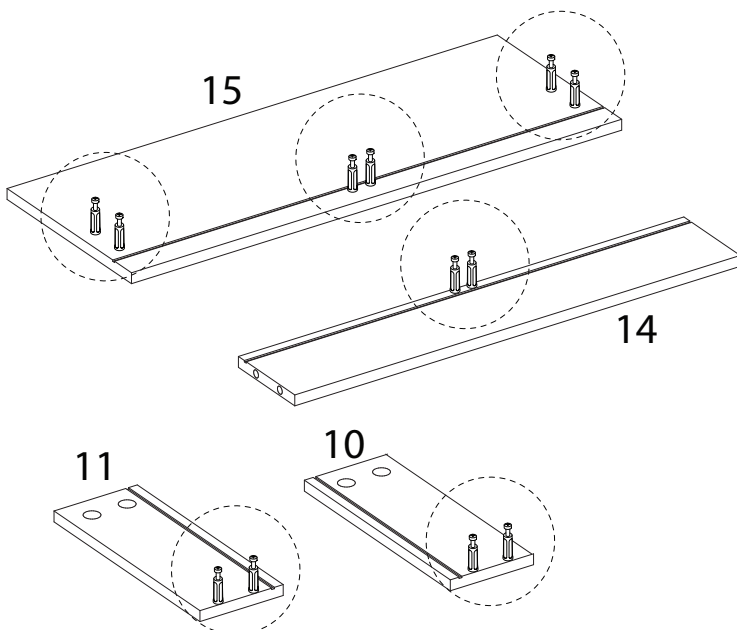
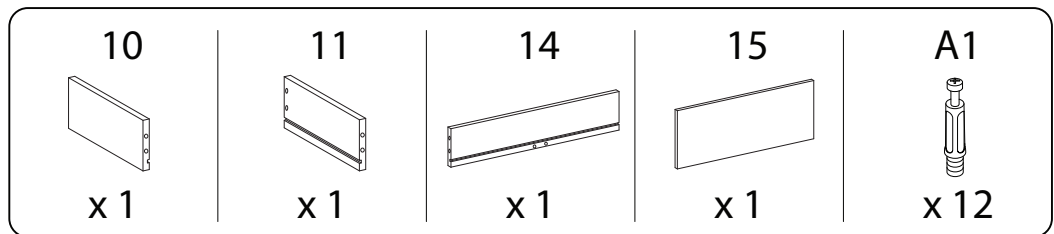
x 4



18

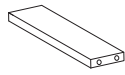


19



20

13

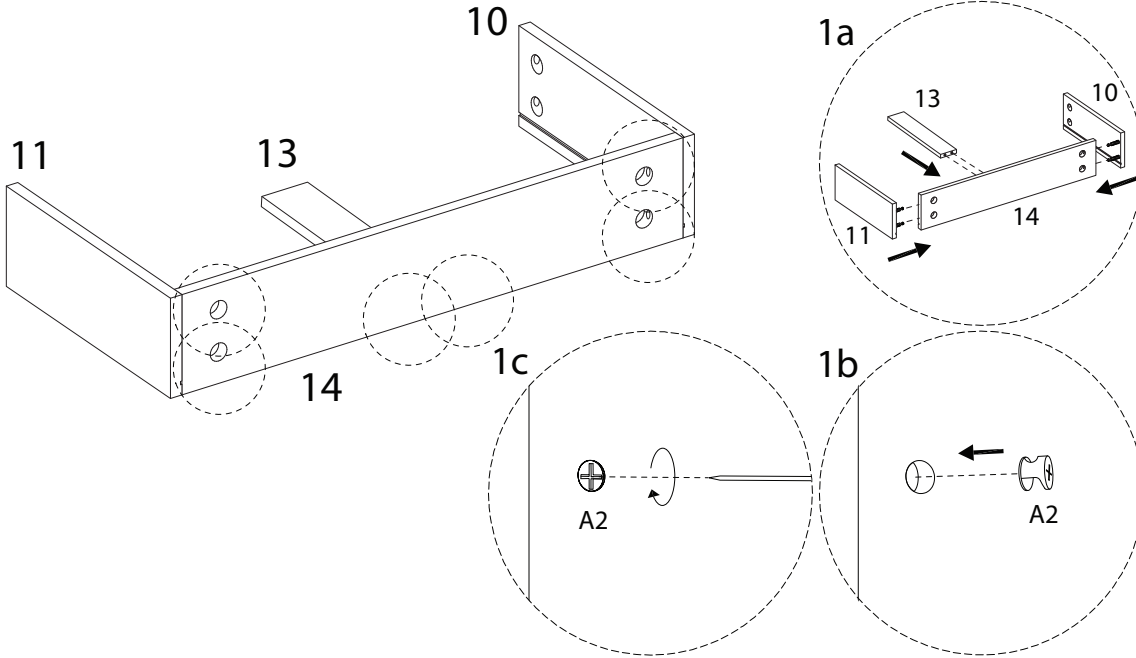


x 1

A2



x 6

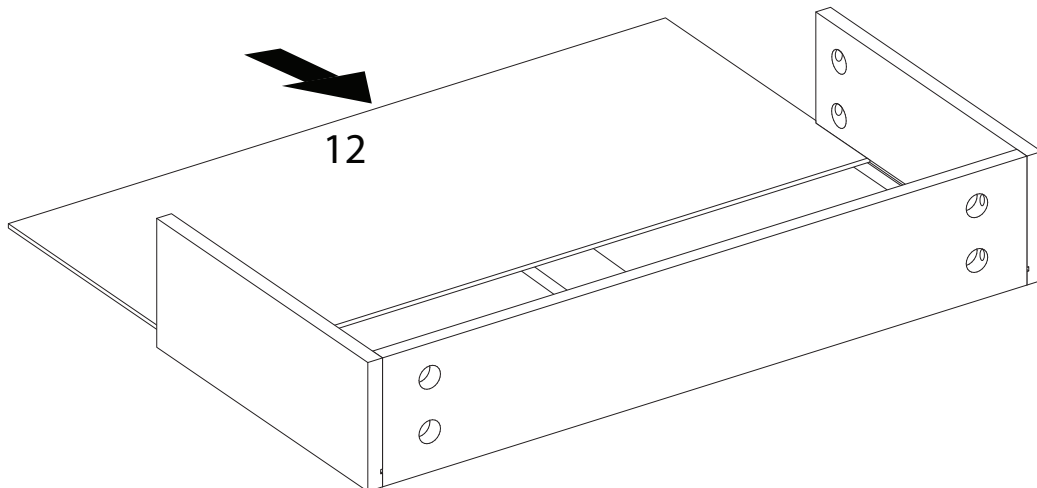


21

12



x 1

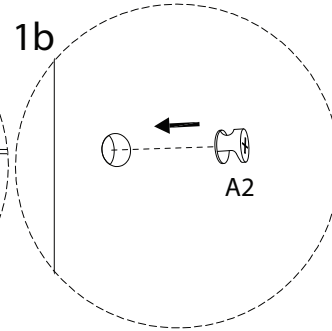
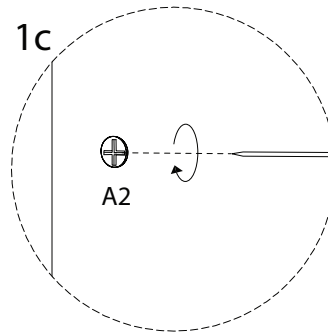
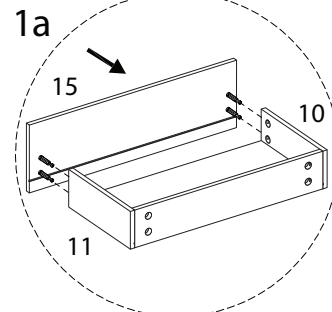
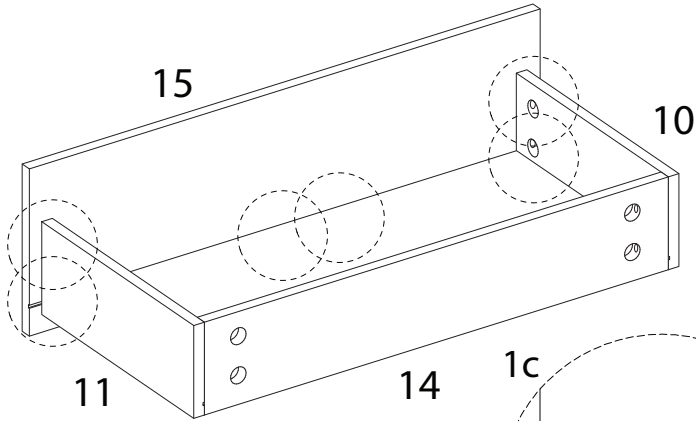


22

A2

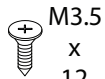


x 6



23

F

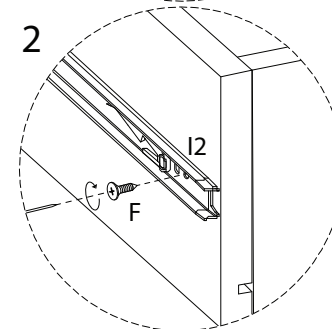
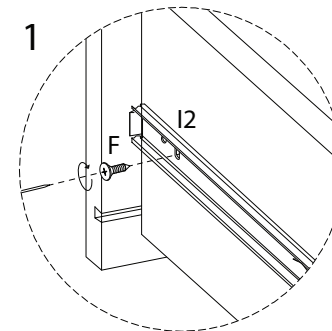
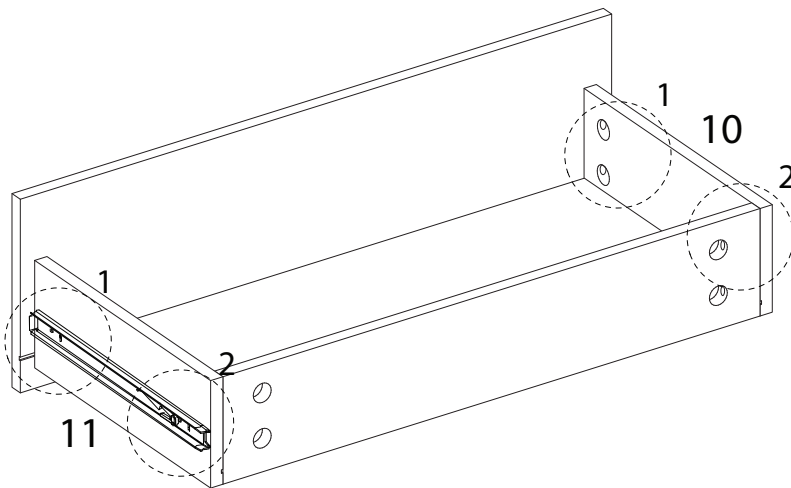


x 4

I2



x 2



24

